



US00D331559S

United States Patent [19]

[11] Patent Number: **Des. 331,559**

Kelley et al.

[45] Date of Patent: **** Dec. 8, 1992**

[54] **MULTI-PURPOSE CONTROL HANDLE**

[75] Inventors: **Craig B. Kelley, Dunlap; Val G. Boucher, Roanoke; Noel J. Rytter, Peoria, all of Ill.**

[73] Assignee: **Caterpillar Inc., Peoria, Ill.**

[**] Term: **14 Years**

[21] Appl. No.: **722,643**

[22] Filed: **Jun. 28, 1991**

D. 284,593	7/1986	Happ	D21/48
D. 303,815	10/1989	Kim	D21/48
D. 317,331	6/1991	Holloway	D21/48
D. 320,589	10/1991	Kelley et al.	D12/179
4,574,651	3/1986	Nordström	74/523
4,658,666	4/1987	Liu	74/523
4,947,701	8/1990	Hegy	74/523
5,042,314	8/1991	Rytter et al.	74/523

Primary Examiner—Wallace R. Burke
Assistant Examiner—Melody Brown
Attorney, Agent, or Firm—William C. Perry

Related U.S. Application Data

[63] Continuation-in-part of Ser. No. 430,446, Nov. 2, 1989, Pat. No. Des. 320,589.

[52] U.S. Cl. **D12/179**

[58] Field of Search **D12/179; D21/48; 74/551.9, 484, 523**

References Cited

U.S. PATENT DOCUMENTS

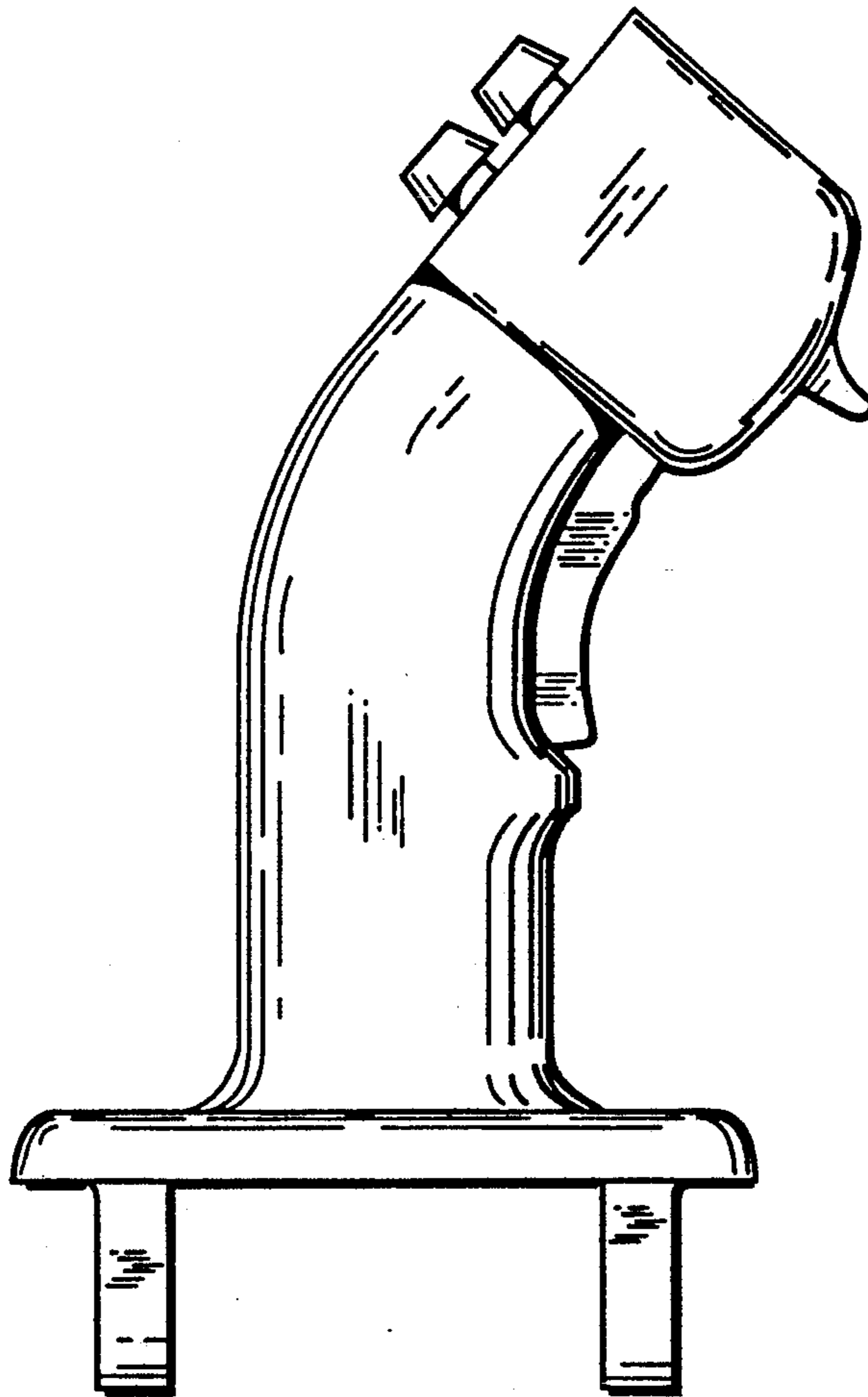
D. 270,631 9/1983 Moskin et al. D21/48

[57] CLAIM

The ornamental design for a multi-purpose control, as shown.

DESCRIPTION

FIG. 1 is a right side elevational view of a multi-purpose control handle showing our new design; FIG. 2 is a left side elevational view thereof; FIG. 3 is a front elevational view thereof; FIG. 4 is a rear elevational view thereof; FIG. 5 is a top plan view thereof; and, FIG. 6 is a bottom plan view thereof.



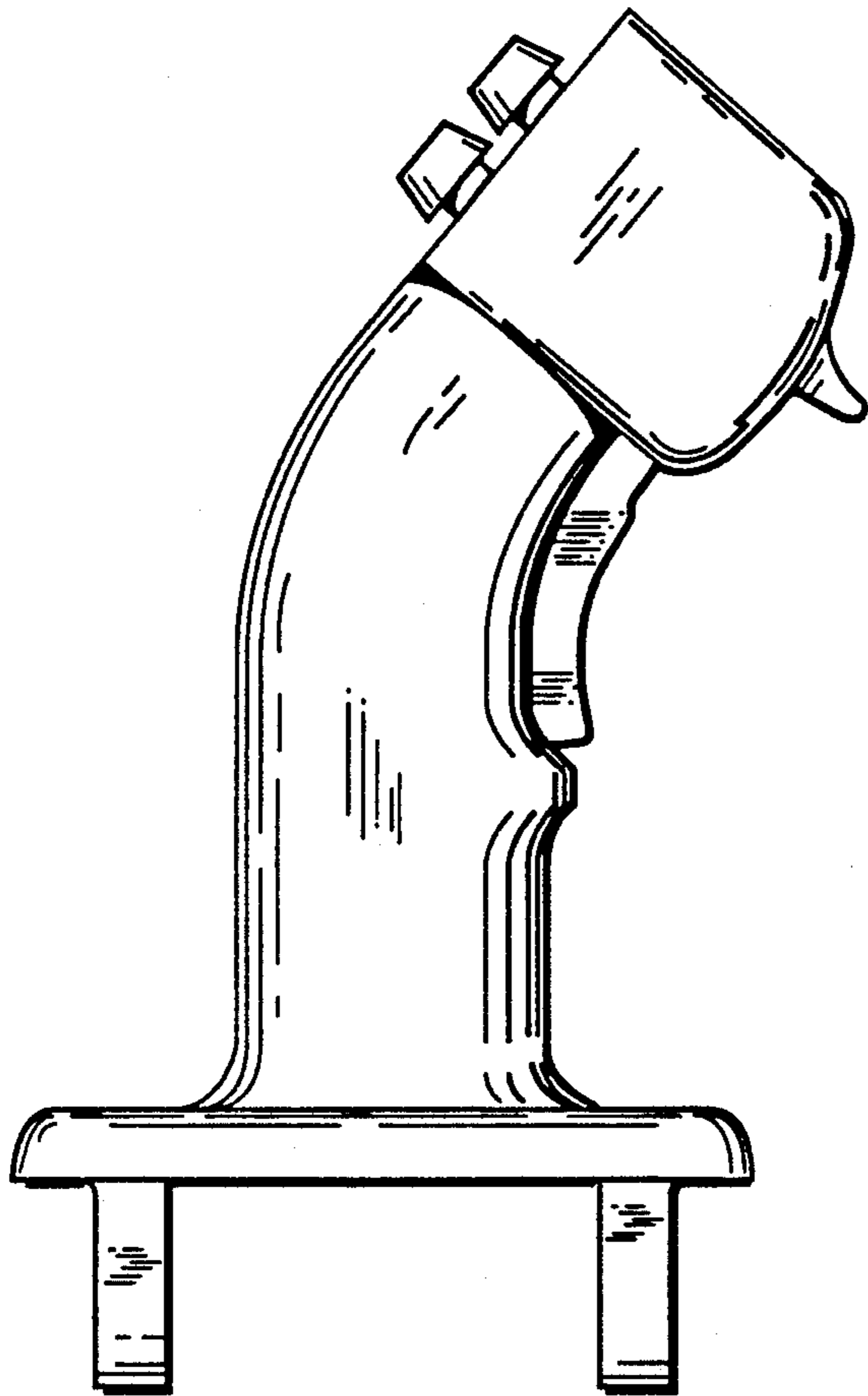


FIG. 1

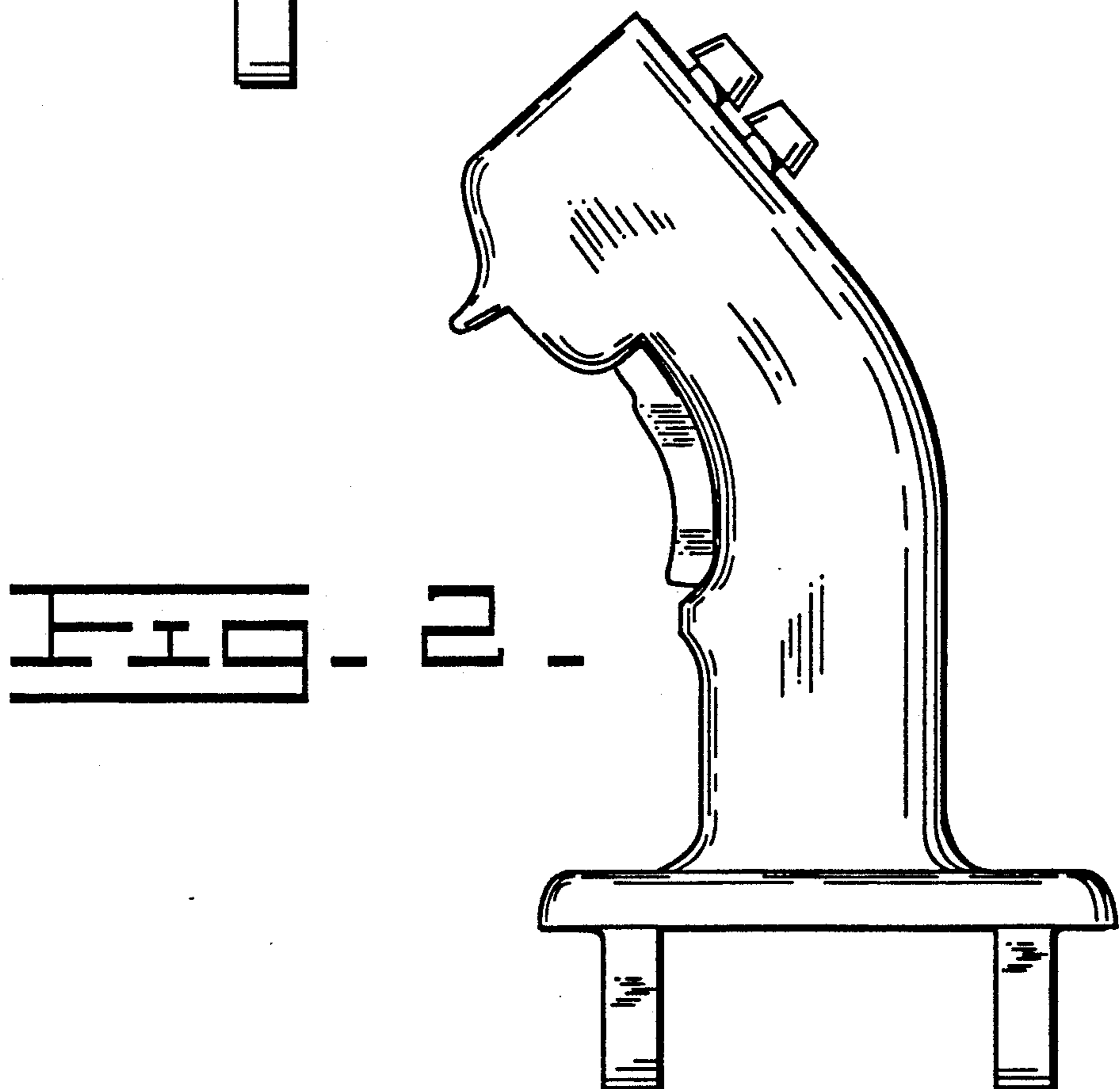


FIG. 2

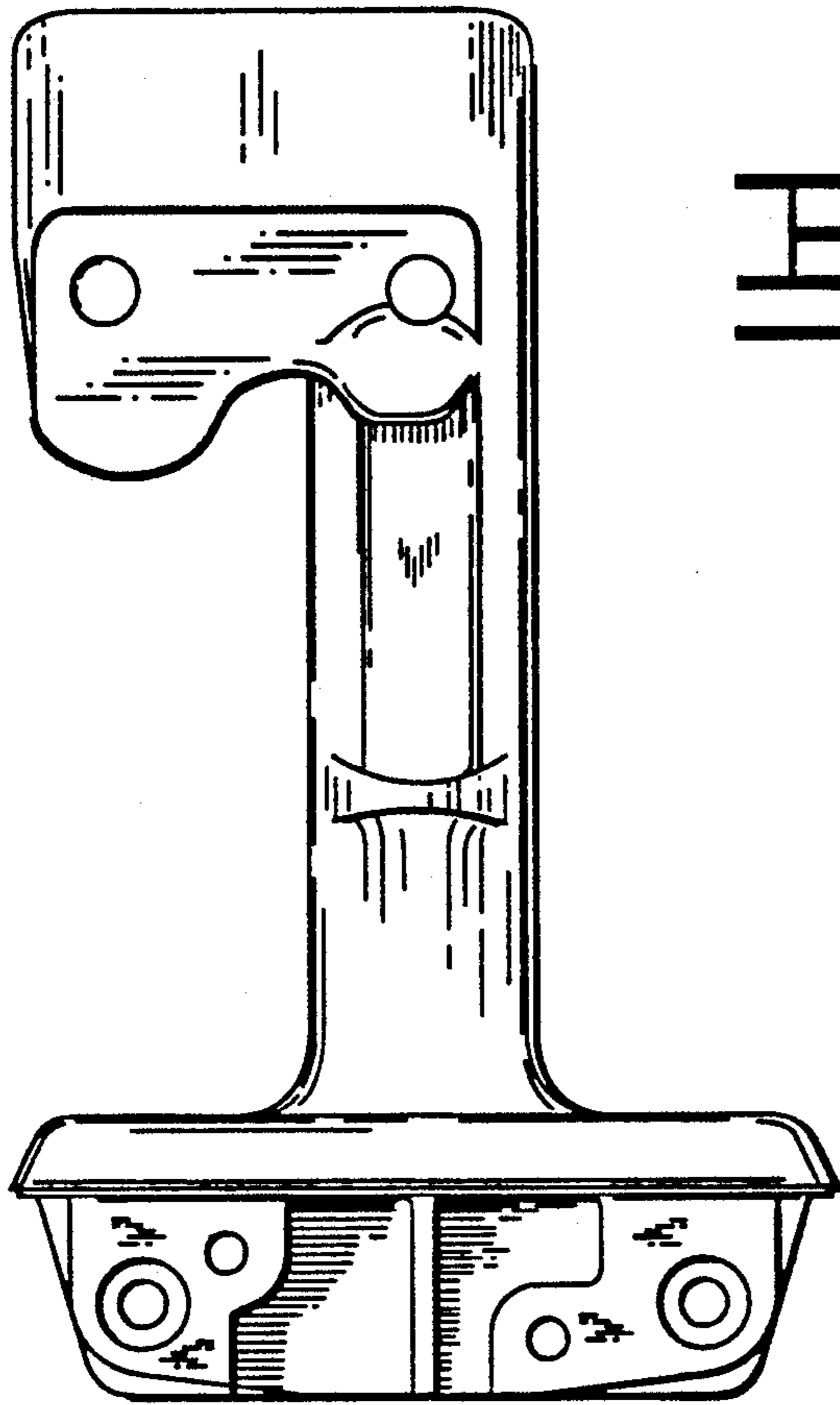


FIG. 3.

FIG. 4.

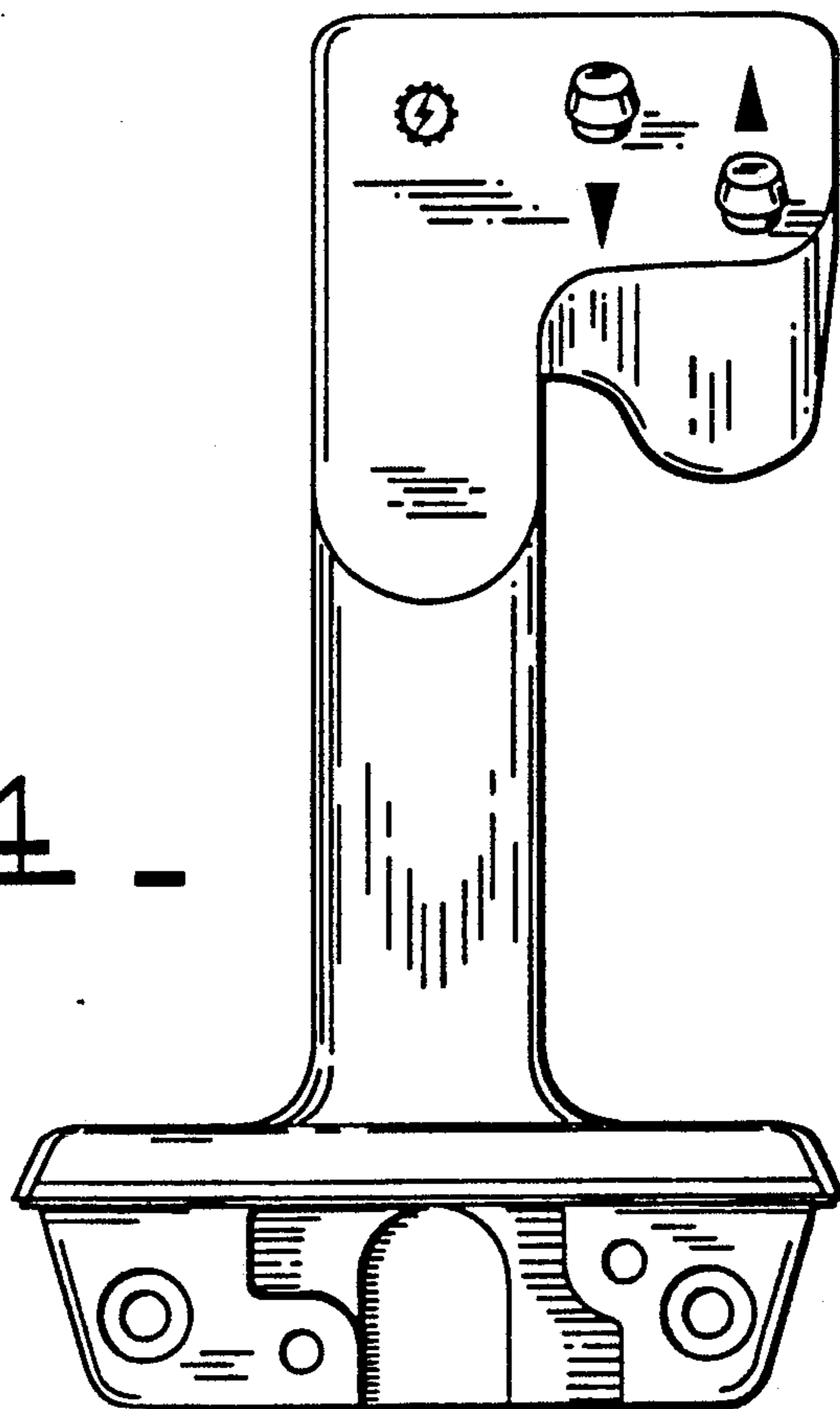


FIG. 5.

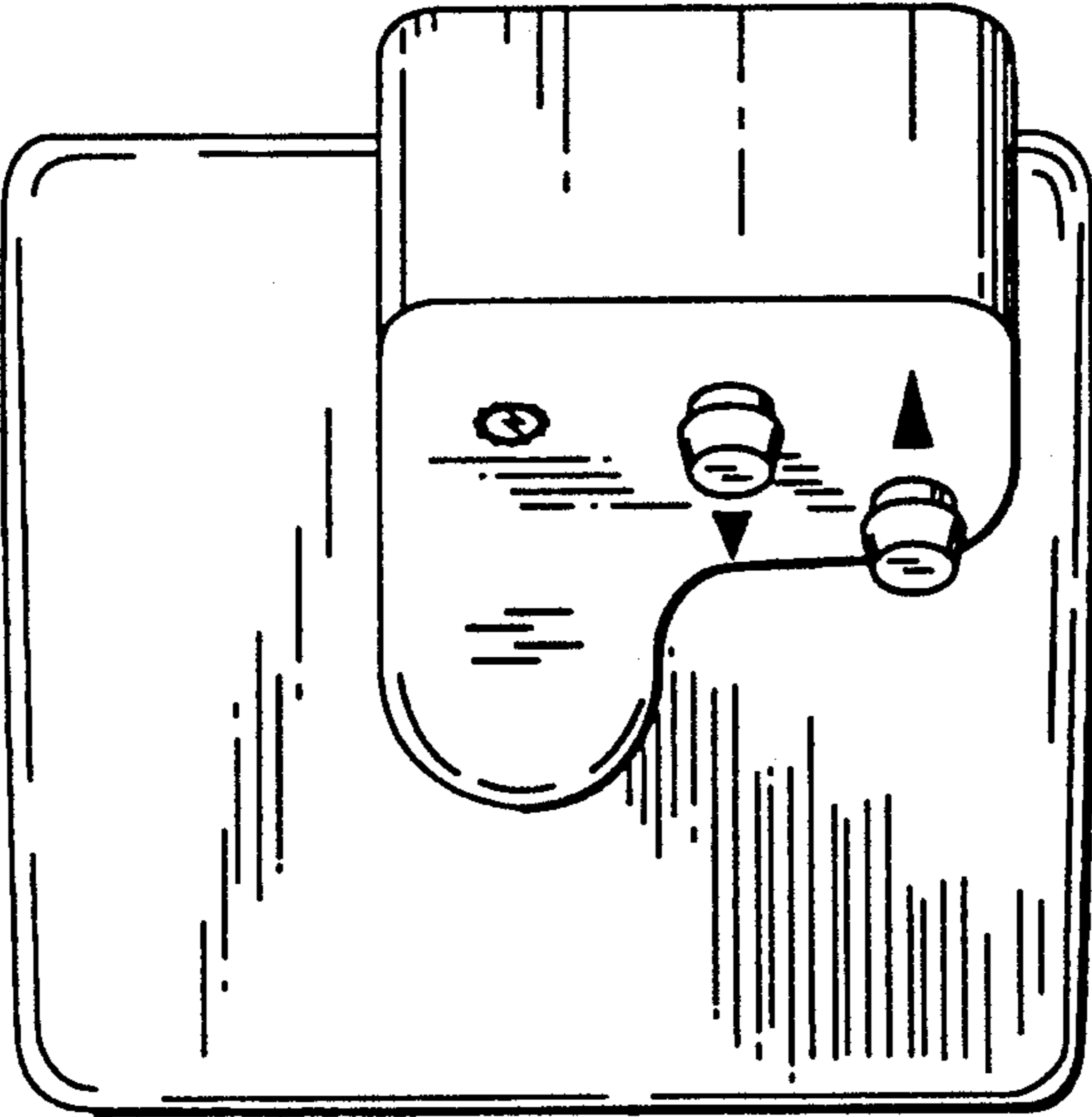


FIG. 6.

