



US00D331558S

# United States Patent [19]

[11] Patent Number: **Des. 331,558**

Hayes, Jr.

[45] Date of Patent: **\*\* Dec. 8, 1992**

[54] **ROTATING TRAILER HITCH**

5,044,652 9/1991 Brisson ..... 280/416.1  
5,106,114 4/1992 Haupt ..... 280/416.1

[76] Inventor: **Benjamin F. Hayes, Jr.**, 3101 Bayview, Memphis, Tenn. 38127

*Primary Examiner*—Wallace R. Burke  
*Assistant Examiner*—Melody Brown  
*Attorney, Agent, or Firm*—Leon Gilden

[\*\*] Term: **14 Years**

[57] **CLAIM**

[21] Appl. No.: **694,047**

The ornamental design for a rotating trailer hitch, as shown.

[22] Filed: **May 1, 1991**

[52] U.S. Cl. .... **D12/162**

[58] Field of Search ..... D12/162; 280/416.1

**DESCRIPTION**

[56] **References Cited**

**U.S. PATENT DOCUMENTS**

D. 296,886	7/1988	Young, Jr. ....	280/416.1
2,911,233	11/1959	Riddle .....	280/416.1
3,390,896	7/1968	Philapy .....	D12/162
4,456,279	6/1984	Dirck .....	280/416.1
4,807,900	2/1989	Tate .....	D12/162

FIG. 1 is a front elevational view of the rotating trailer hitch showing my new design;  
FIG. 2 is a rear elevational view thereof;  
FIG. 3 is a left side elevational view thereof;  
FIG. 4 is a right side elevational view thereof;  
FIG. 5 is a top plan view thereof;  
FIG. 6 is a bottom plan view thereof; and,  
FIG. 7 is a perspective view thereof.

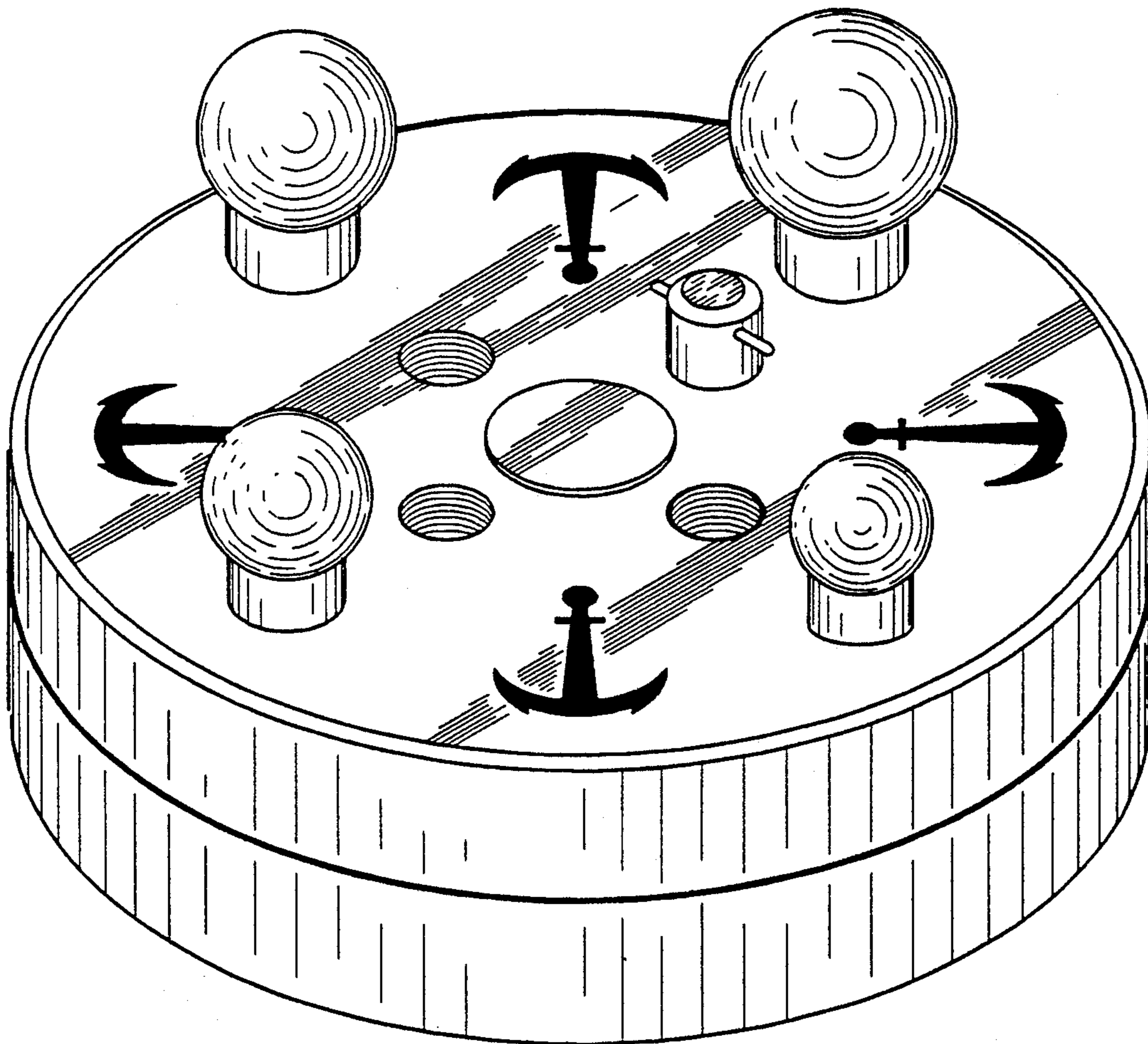


FIG. 1

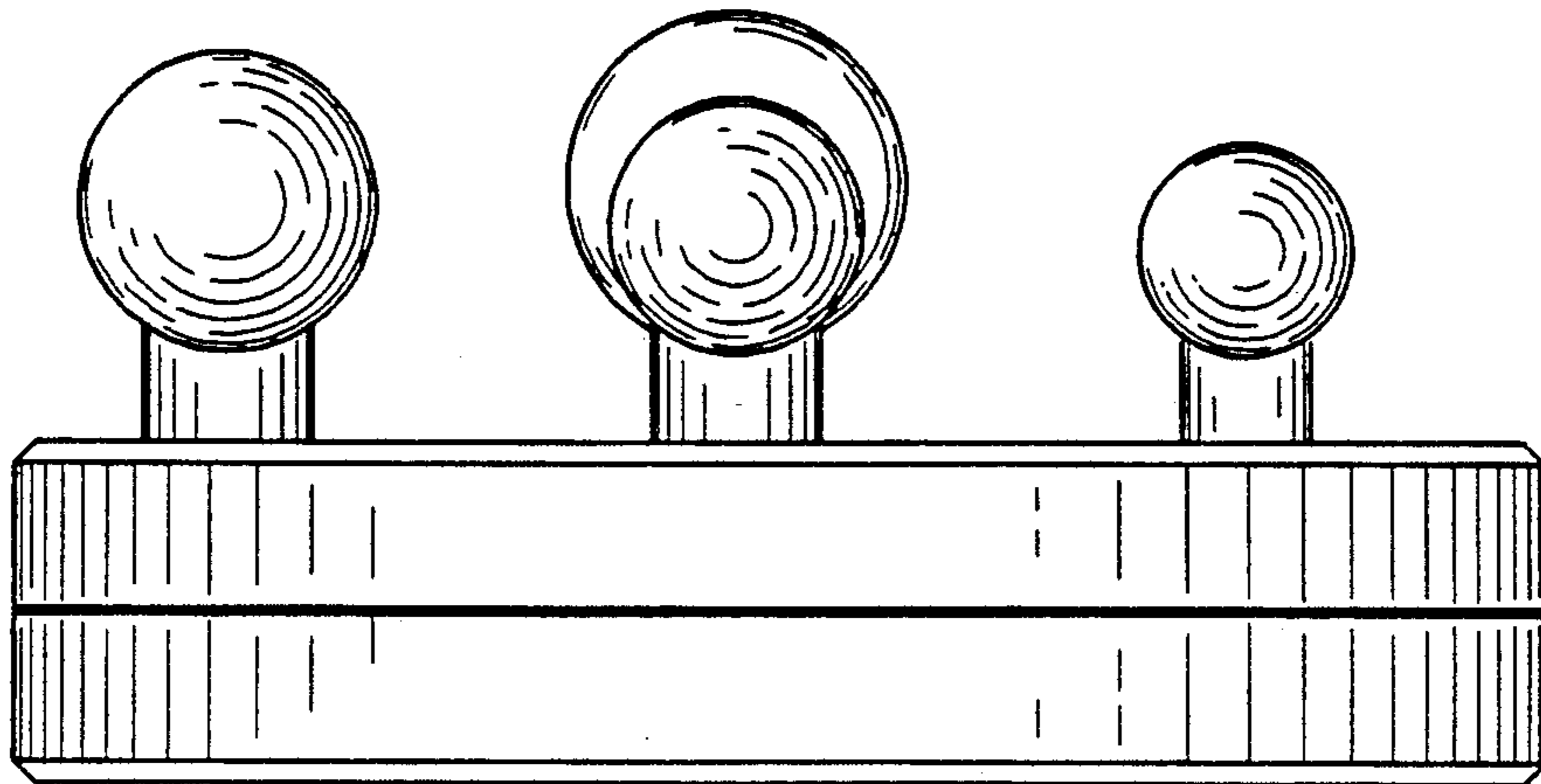


FIG. 2

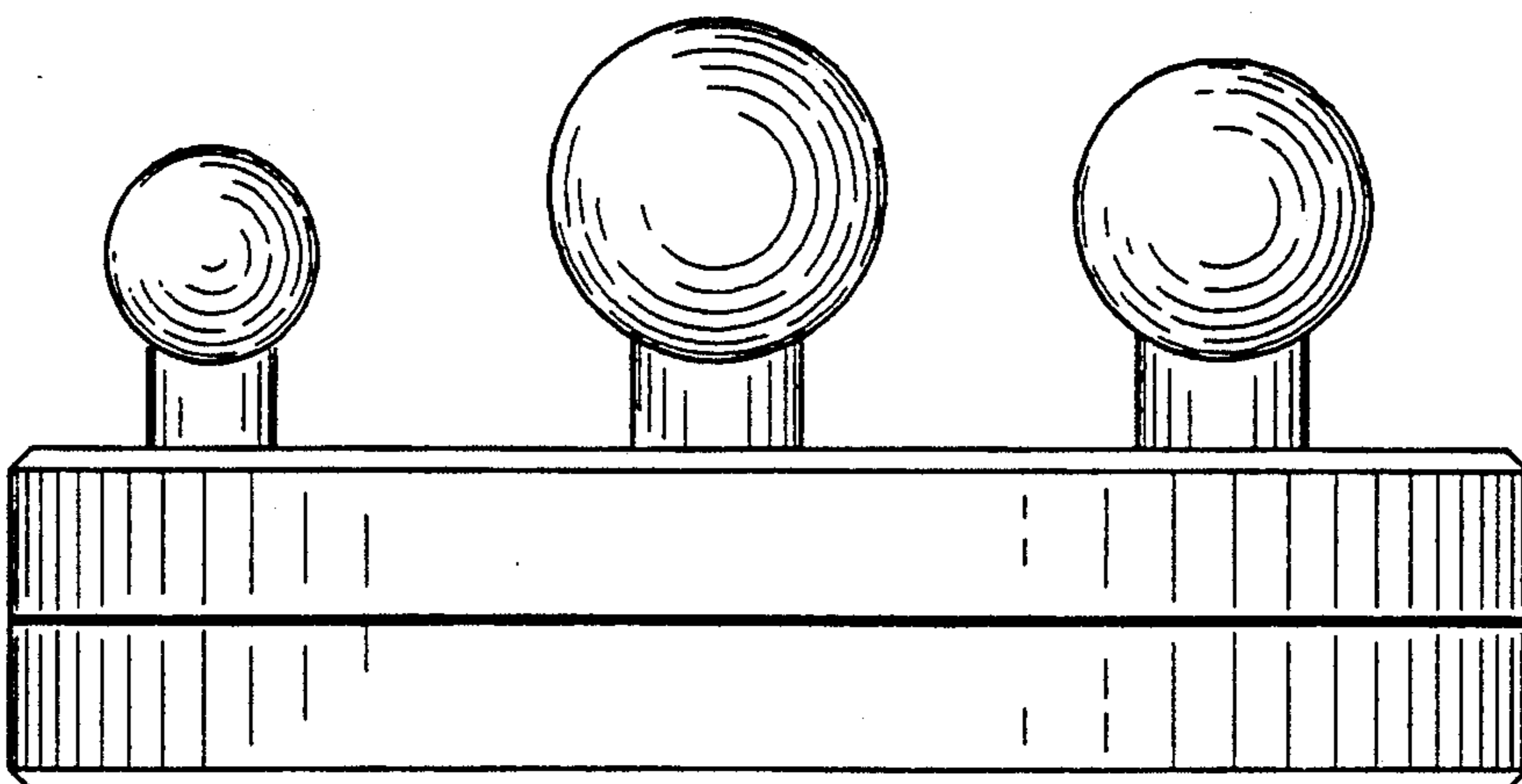


FIG. 3

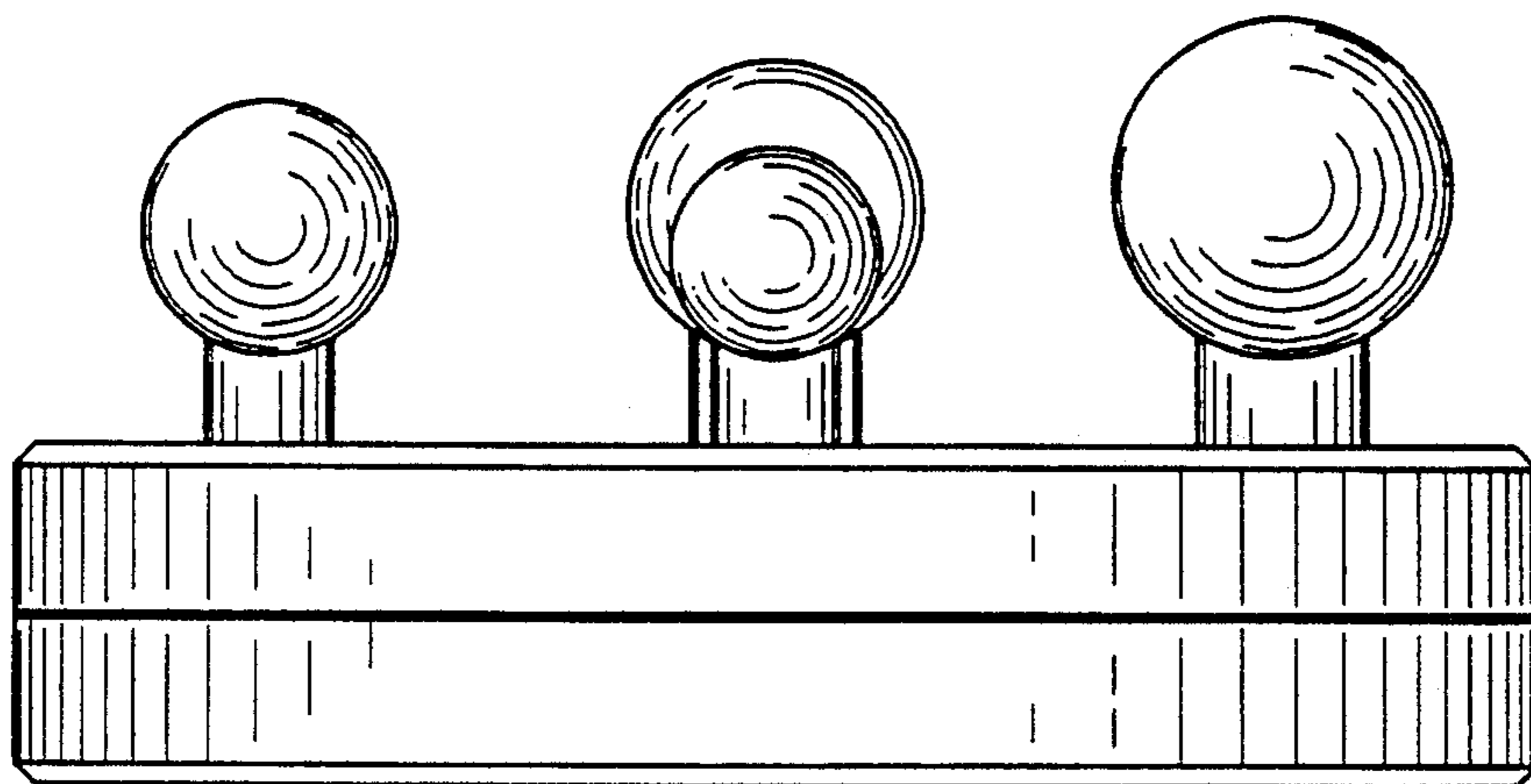


FIG. 4

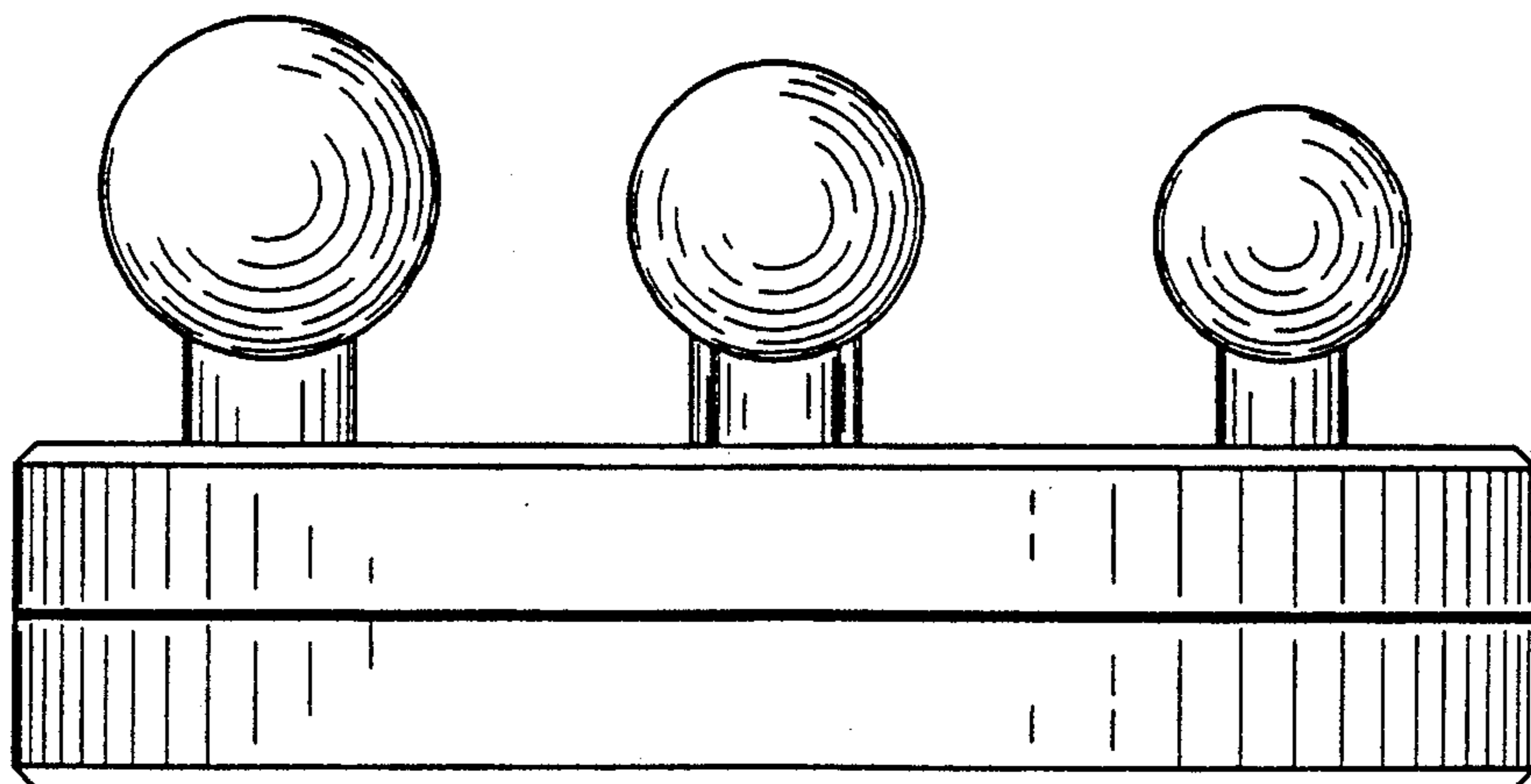


FIG. 5

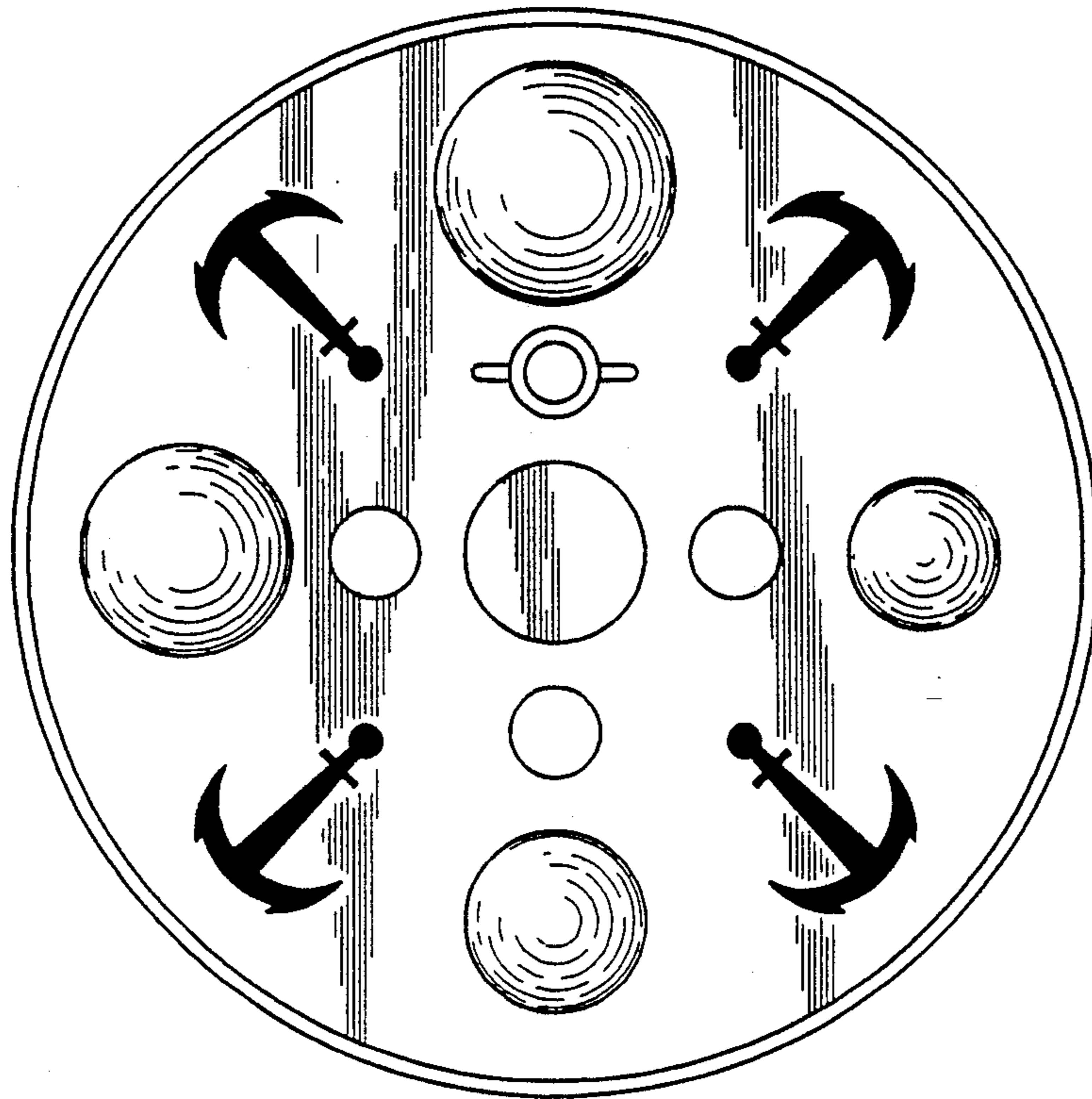


FIG. 6

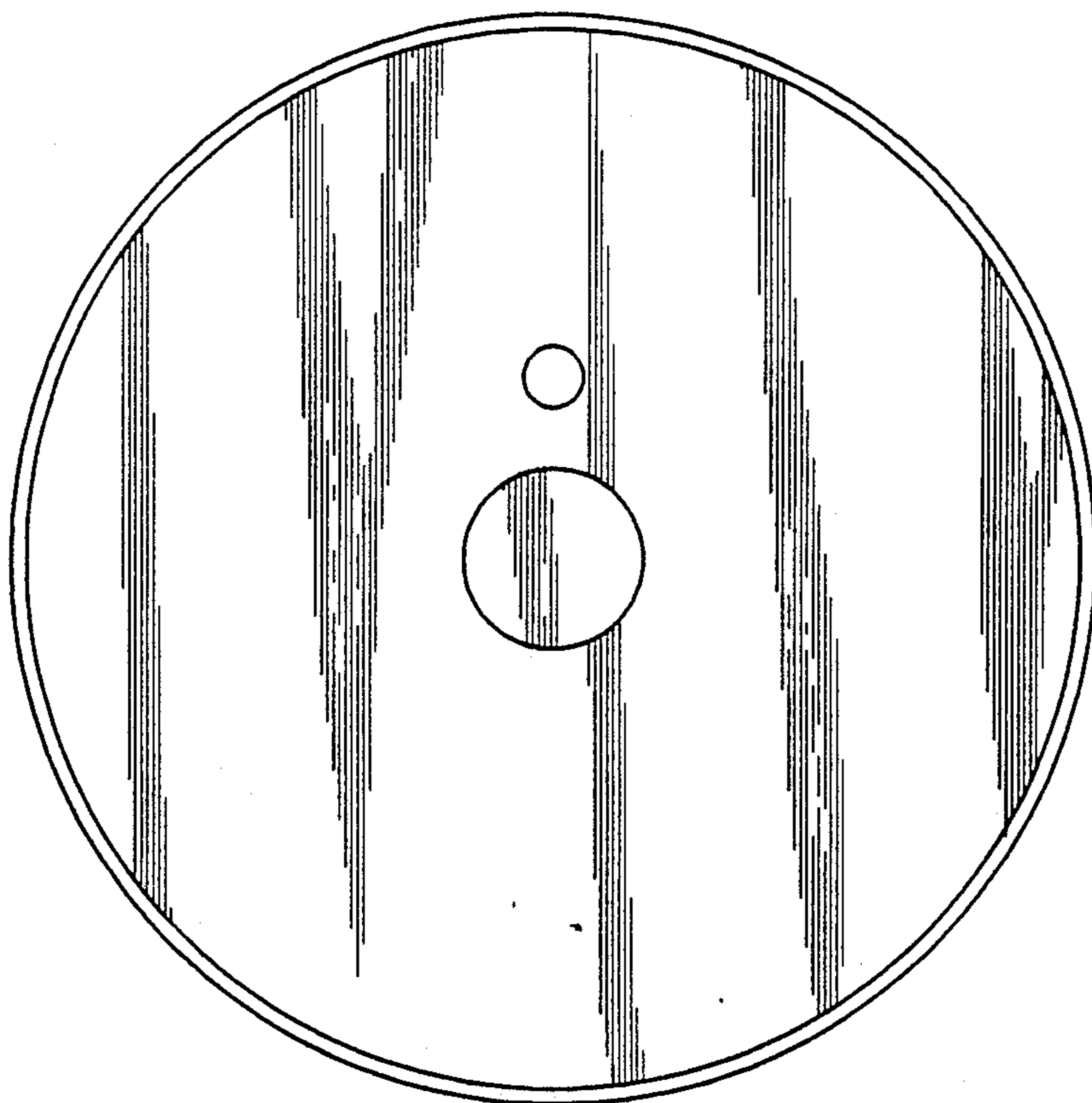


FIG. 7

