



US00D331556S

# United States Patent [19]

Ismert

[11] Patent Number: **Des. 331,556**

[45] Date of Patent: **\*\* Dec. 8, 1992**

[54] **WINDSHIELD WIPER UNIT**

[76] Inventor: **Richard Ismert, 7721 Owensmouth, Canoga Park, Calif. 91304**

[\*\*] Term: **14 Years**

[21] Appl. No.: **763,766**

[22] Filed: **Sep. 23, 1991**

[52] U.S. Cl. .... **D12/155**

[58] Field of Search ..... **D12/155; 15/250.03, 15/250.05, 250.06, 250.35, 250.36, 256.41, 250.42**

4,497,083 2/1985 Nielsen, Jr. et al. .... 15/250.06  
 4,754,517 7/1988 Aldous ..... 15/250.03

*Primary Examiner*—James M. Gandy  
*Attorney, Agent, or Firm*—Terry M. Gernstein

### [57] CLAIM

The ornamental design for a windshield wiper unit, as shown.

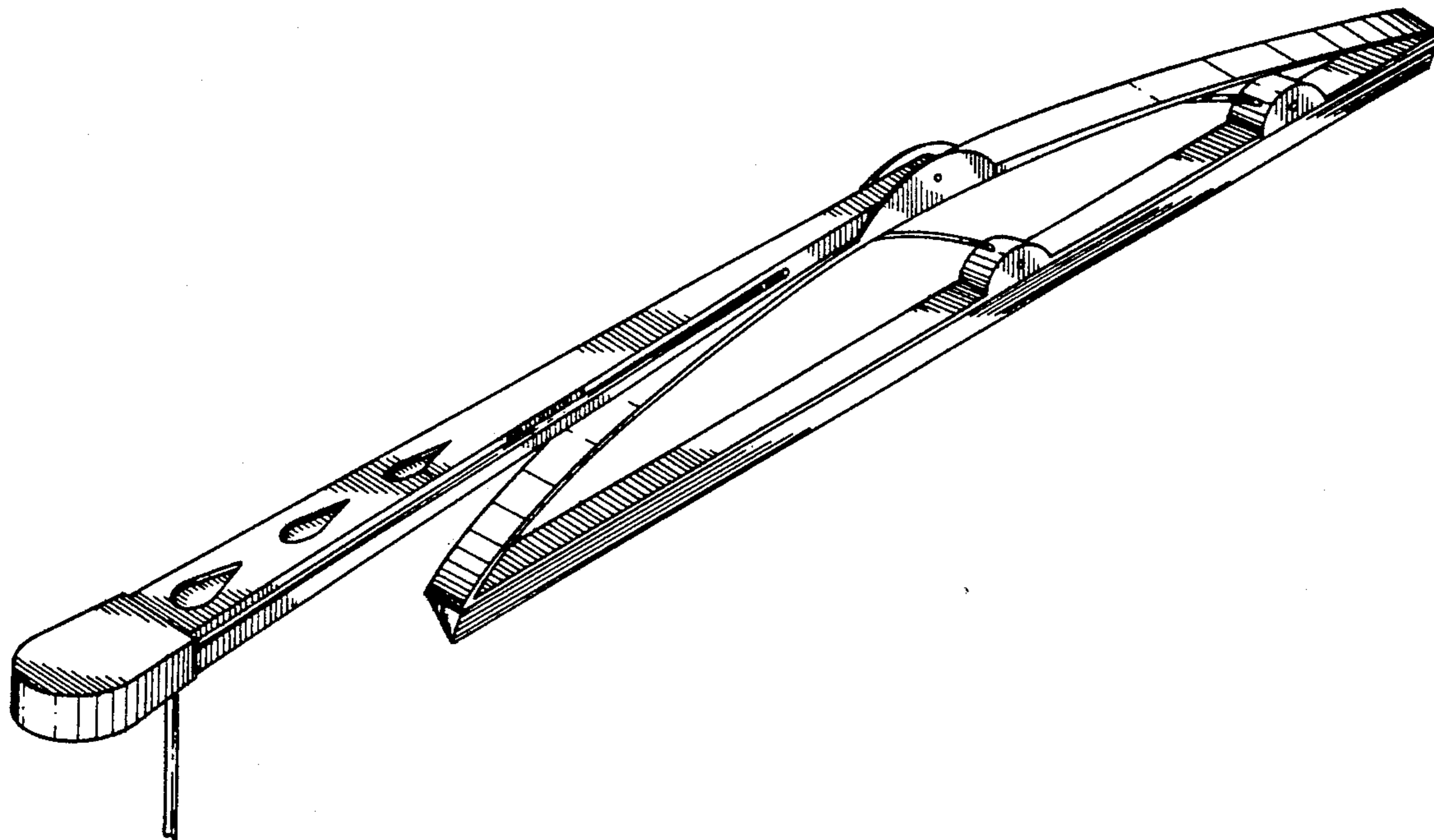
### DESCRIPTION

FIG. 1 is a perspective view of a windshield wiper unit showing my new design;  
 FIG. 2 is a front end elevational view thereof;  
 FIG. 3 is a rear end elevational view thereof;  
 FIG. 4 is a side elevational view thereof;  
 FIG. 5 is an opposite side elevational view thereof;  
 FIG. 6 is a top plan view thereof; and,  
 FIG. 7 is a bottom plan view thereof.

### [56] References Cited

#### U.S. PATENT DOCUMENTS

2,069,699 2/1937 Dohler ..... 15/250.3  
 2,724,139 11/1955 Oishei ..... 15/250.3  
 4,192,038 3/1980 Klein ..... 15/250.06



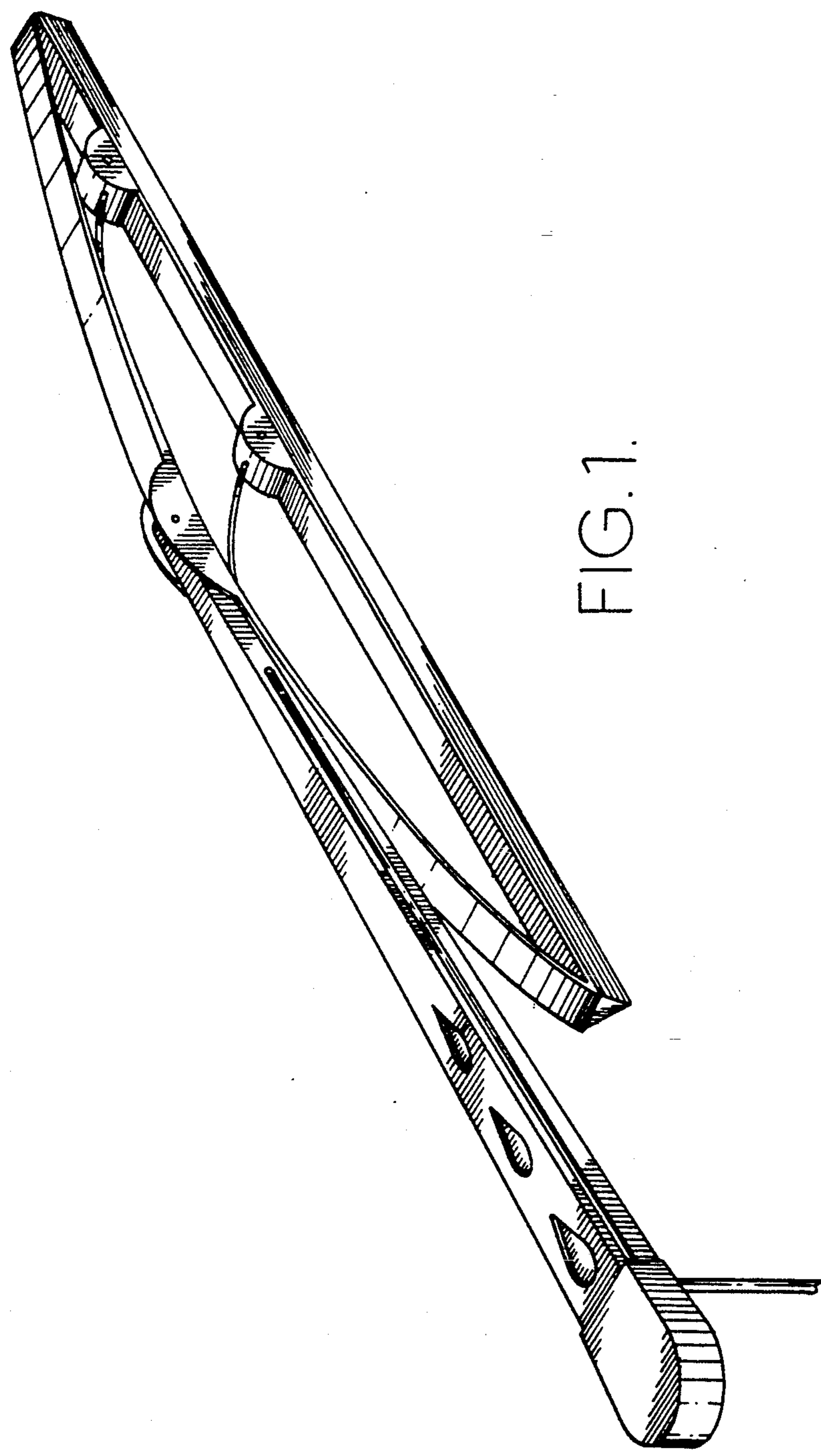


FIG. 1.

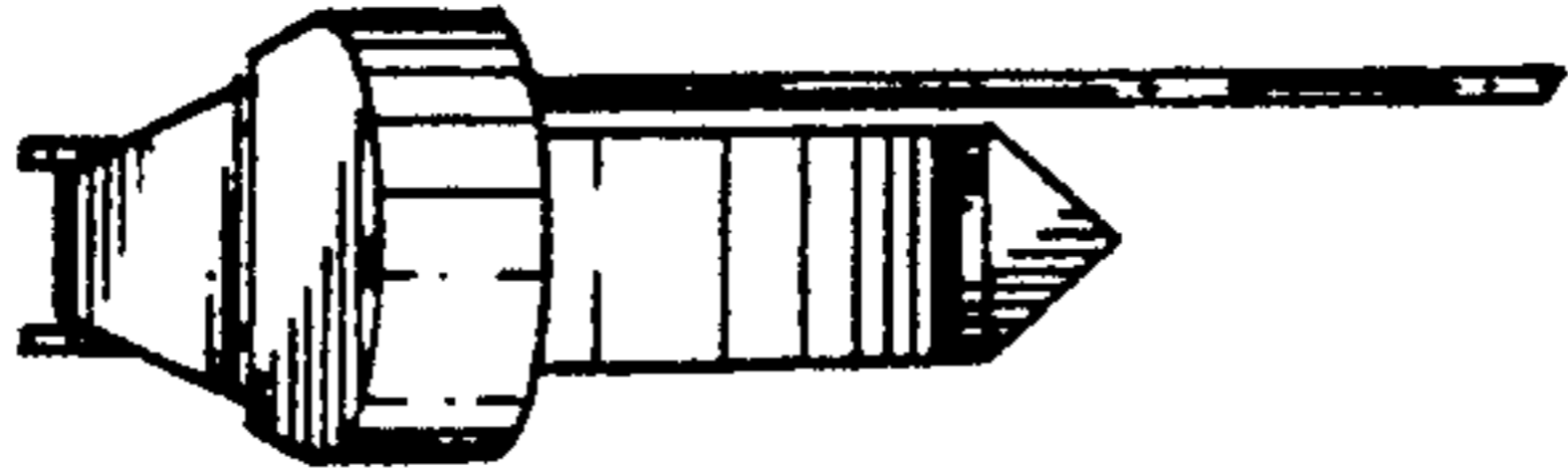


FIG. 3.

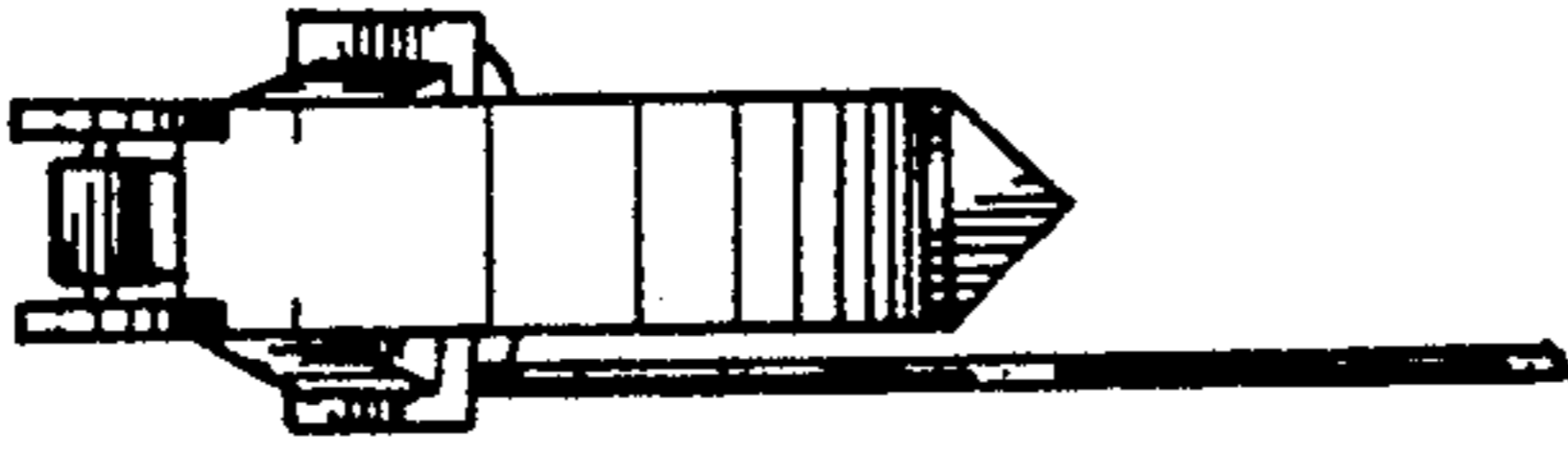


FIG. 2.

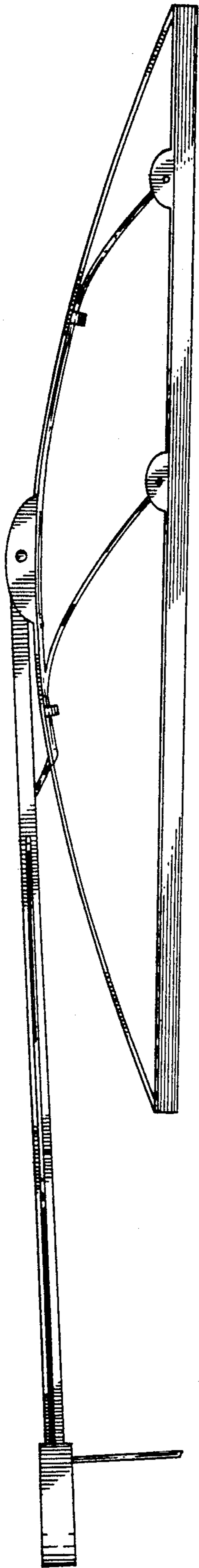


FIG. 4.

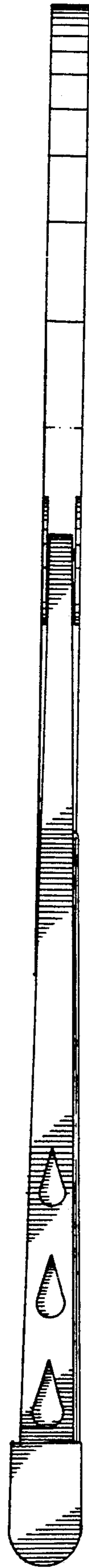


FIG. 6.

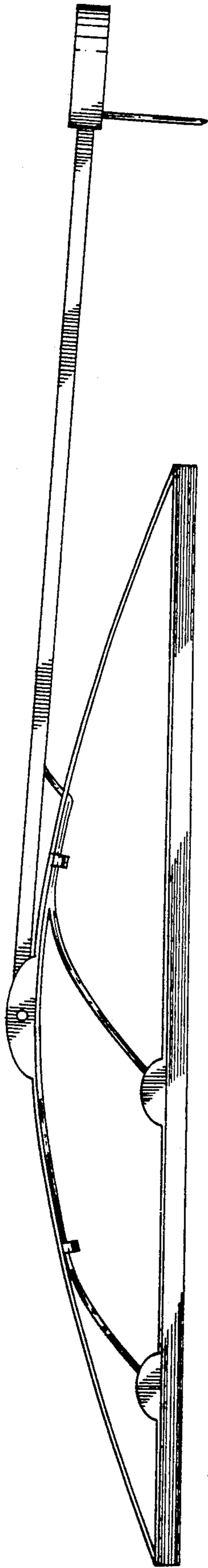


FIG. 5.

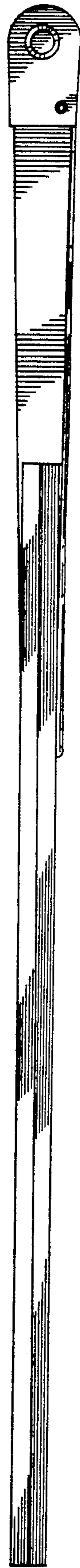


FIG. 7.