



US00D331555S

# United States Patent [19]

Grenie

[11] Patent Number: **Des. 331,555**

[45] Date of Patent: **\*\* Dec. 8, 1992**

- [54] TIRE
- [75] Inventor: **Philippe Grenie, Greer, S.C.**
- [73] Assignee: **Michelin Recherche et Technique, Switzerland**
- [\*\*] Term: **14 Years**
- [21] Appl. No.: **513,197**
- [22] Filed: **Apr. 23, 1990**
- [52] U.S. Cl. .... **D12/151**
- [58] Field of Search ..... **D12/136, 146-151; 152/209 R, 209 A, 209 D**

Tread Design Guide 1990, p. 227, Continental TK 16 and TK 17.

Tread Design Guide 1990, p. 235, Yokohama F 205.

*Primary Examiner*—James M. Gandy.  
*Attorney, Agent, or Firm*—Finnegan, Henderson, Farabow, Garrett & Dunner

### [57] CLAIM

The ornamental design of a tire, as shown and described.

### DESCRIPTION

FIG. 1 is a perspective view of a tire showing one embodiment of my new design;  
 FIG. 2 is an enlarged fragmentary plan view thereof;  
 FIG. 3 is a perspective view of a tire showing a second embodiment of my new design;  
 FIG. 4 is an enlarged fragmentary plan view of FIG. 3;  
 FIG. 5 is a perspective view of a tire showing a third embodiment of my new design; and,  
 FIG. 6 is an enlarged fragmentary plan view of FIG. 5".  
 The tread pattern is understood to be repeated uniformly throughout the circumference of all three, embodiments of the tire as shown schematically by solid lines, and the opposite side is the same as that illustrated.

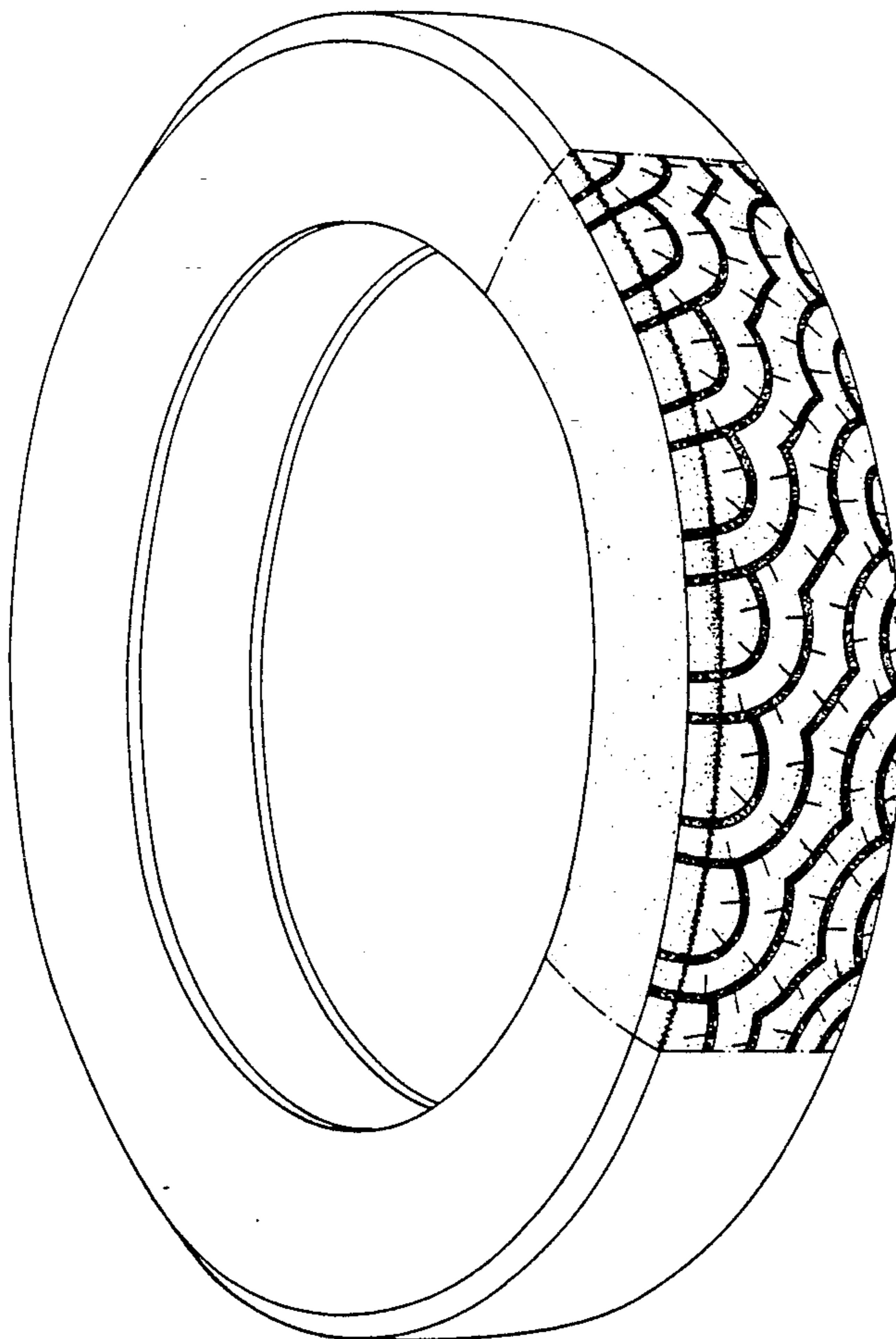
### [56] References Cited

#### U.S. PATENT DOCUMENTS

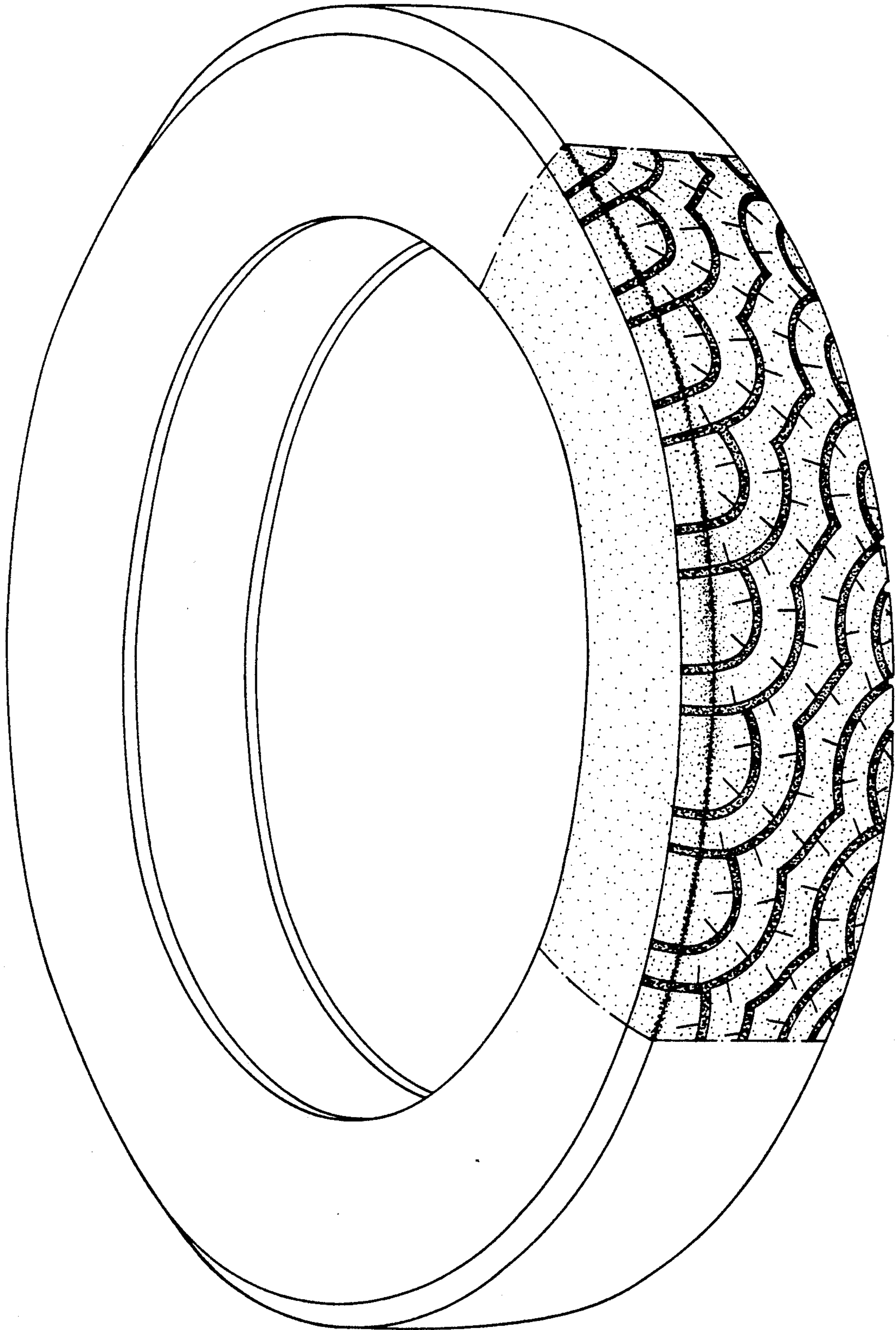
|            |        |                |       |         |
|------------|--------|----------------|-------|---------|
| D. 112,978 | 1/1939 | James          | ..... | D12/136 |
| D. 268,490 | 4/1983 | Mills et al.   | ..... | D12/146 |
| D. 295,159 | 4/1988 | Mader          | ..... | D12/147 |
| 4,397,344  | 8/1983 | Goergen et al. | ..... | D12/147 |

#### OTHER PUBLICATIONS

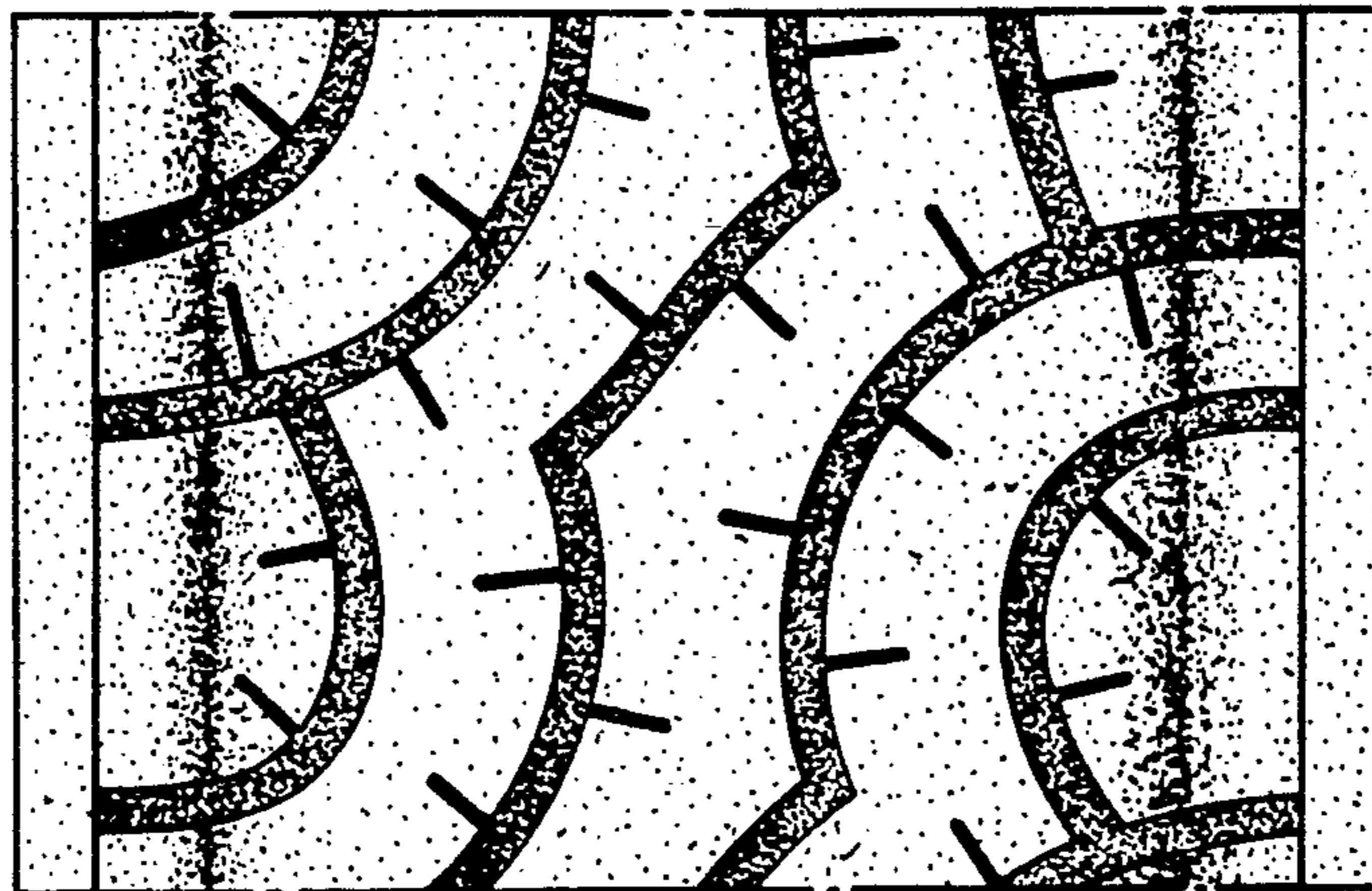
Tread Design Guide 1990, p. 226, Bridgestone Spitfire Sport 17R.



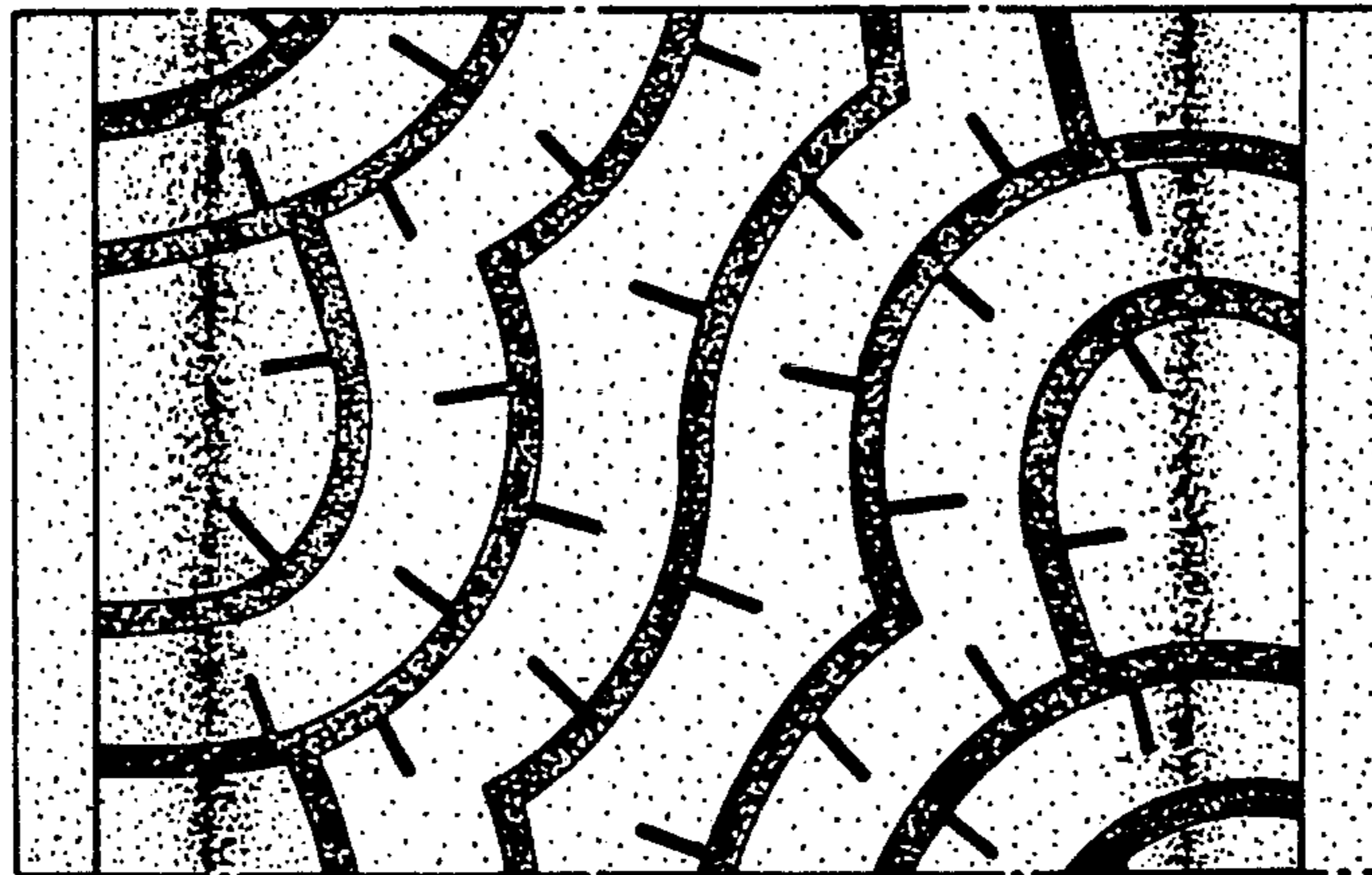
**FIG. 1**



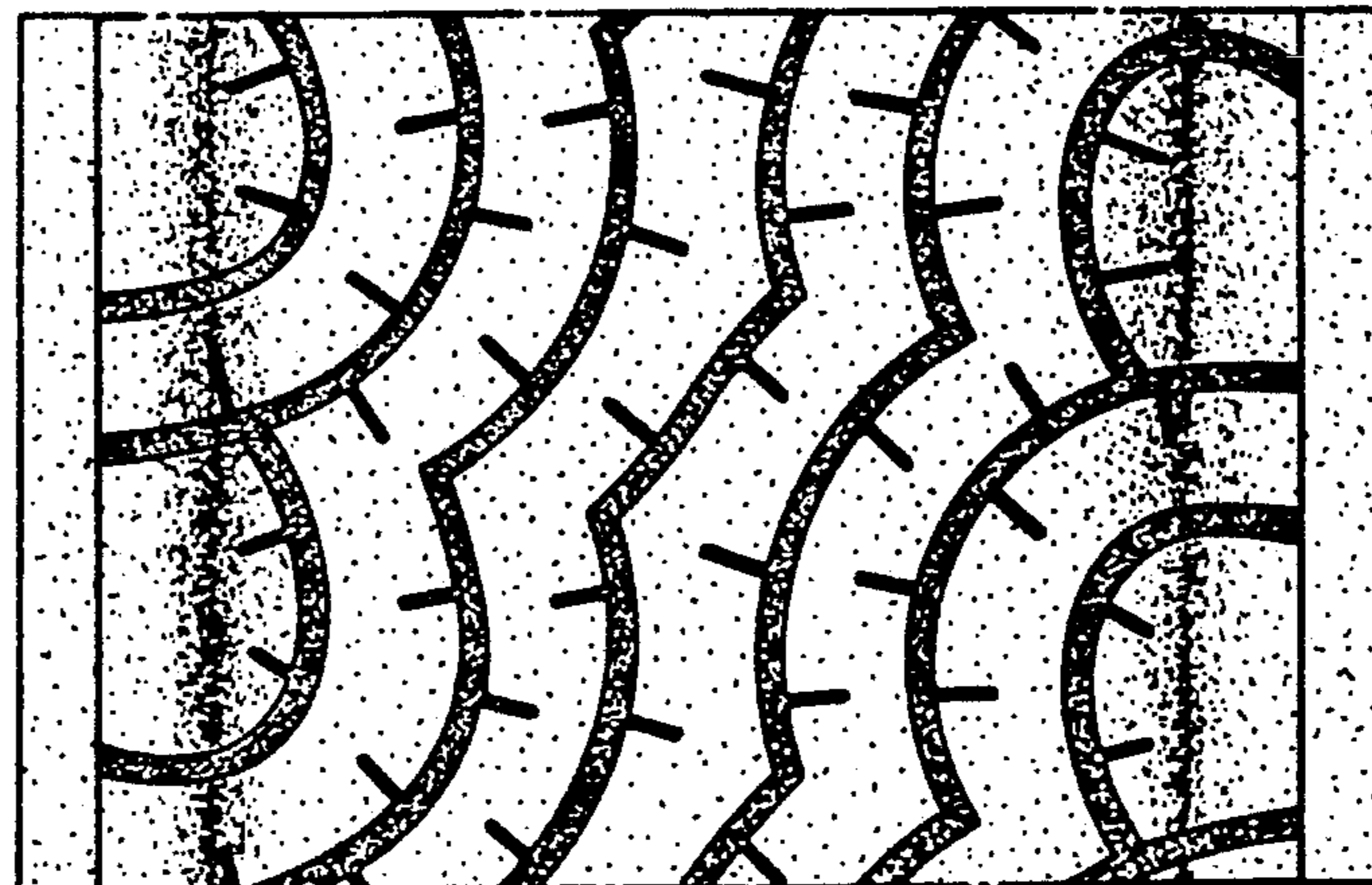
**FIG. 2**



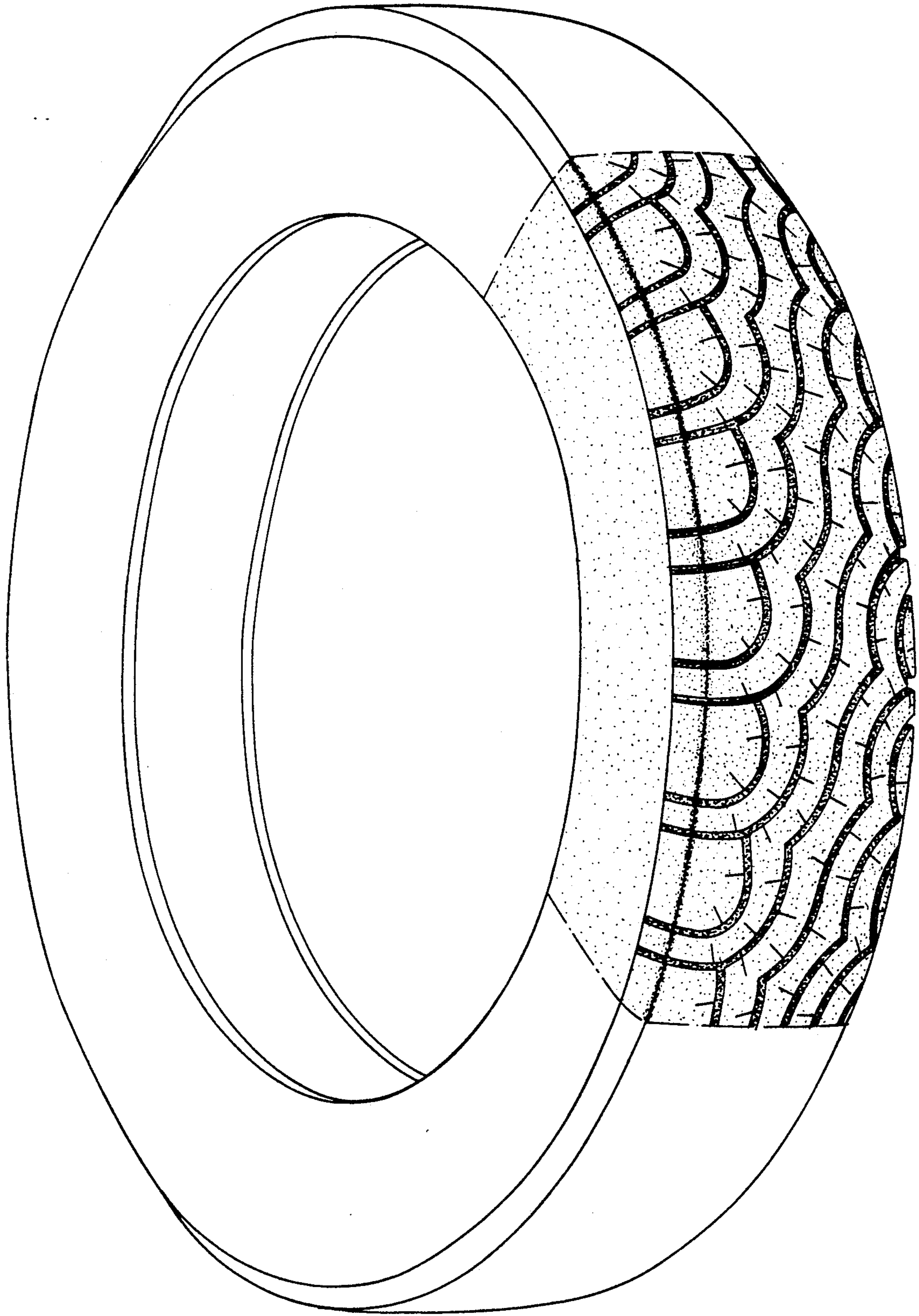
**FIG. 4**



**FIG. 6**



**FIG. 3**



**FIG. 5**

