



US00D331552S

# United States Patent [19]

Yuasa

[11] Patent Number: **Des. 331,552**

[45] Date of Patent: **\*\* Dec. 8, 1992**

[54] SNOWMOBILE

[75] Inventor: **Katsuyasu Yuasa**, Tokyo, Japan

[73] Assignee: **Kyoei Silk Screen Co., Ltd.**, Tokyo, Japan

[\*\*] Term: **14 Years**

[21] Appl. No.: **733,117**

[22] Filed: **Jul. 19, 1991**

[30] Foreign Application Priority Data

Jan. 24, 1991 [JP] Japan ..... 3-1350

[52] U.S. Cl. .... **D12/7**

[58] Field of Search ..... **D12/7; 180/190, 182, 180/184, 185, 186, 193**

[56] References Cited

U.S. PATENT DOCUMENTS

- D. 225,106 11/1972 Majjala ..... D12/7
- D. 264,830 6/1982 Ishiyama ..... D12/7
- D. 273,185 3/1984 Ishiyama ..... D12/7

- D. 314,535 2/1991 Matsue ..... D12/7
- 3,477,734 11/1969 Albertson ..... D12/7
- 3,774,706 11/1973 Kiekhaefer ..... D12/7
- 3,777,829 12/1973 Rogers ..... D12/7
- 4,714,125 12/1987 Stacy, Jr. .... 180/190
- 4,779,695 10/1988 Yasui ..... 180/190
- 4,848,503 7/1989 Yasui et al. .... 180/190

Primary Examiner—Wallace R. Burke  
Assistant Examiner—Melody Brown  
Attorney, Agent, or Firm—Wenderoth, Lind & Ponack

[57] CLAIM

The ornamental design for a snowmobile, as shown.

DESCRIPTION

FIG. 1 is a front elevational view of a snowmobile showing my new design;  
FIG. 2 is a rear elevational view thereof;  
FIG. 3 is a top plan view thereof;  
FIG. 4 is a bottom plan view thereof;  
FIG. 5 is a left side elevational view thereof; and,  
FIG. 6 is a right side elevational view thereof.

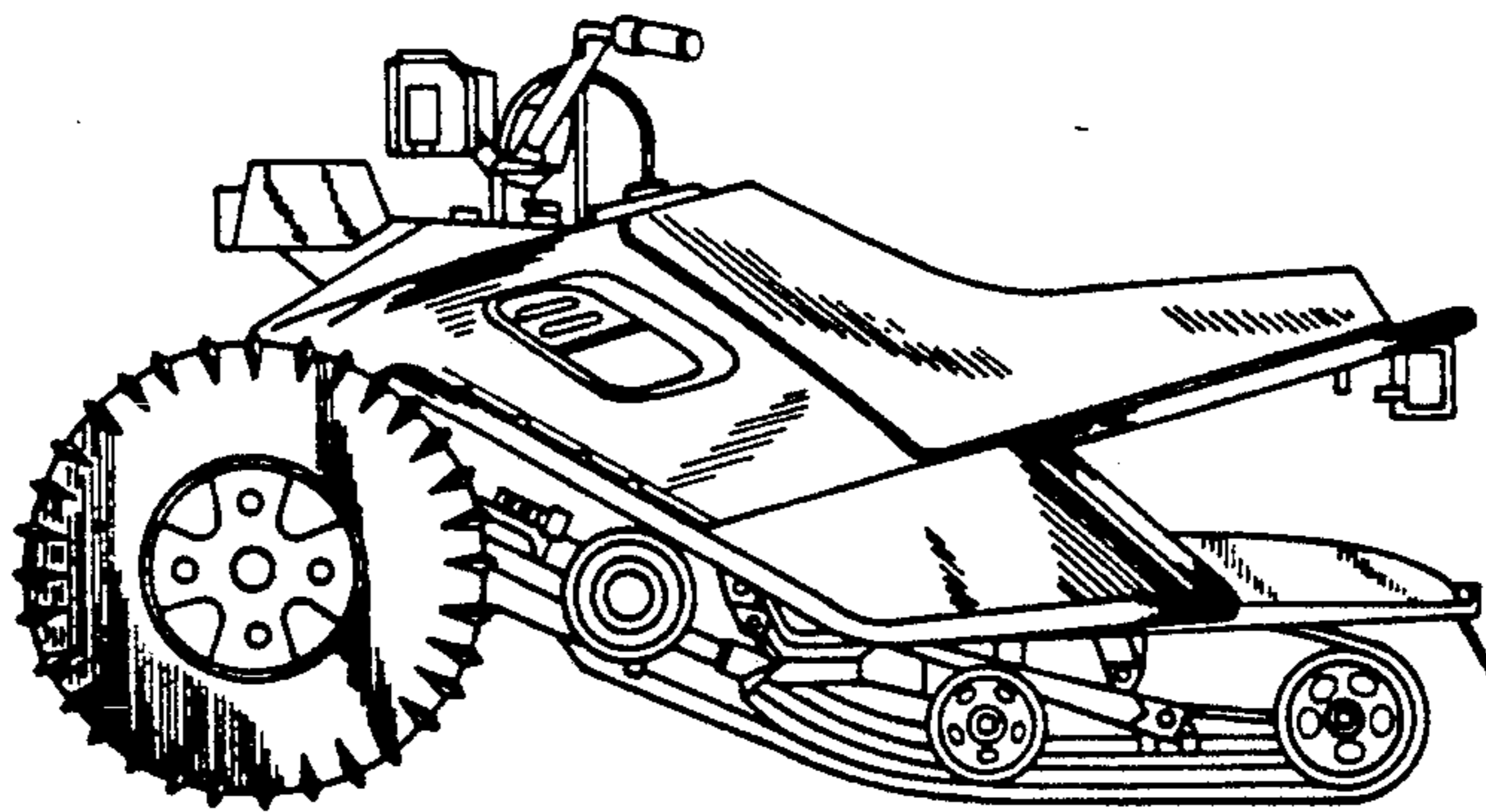


FIG. 1

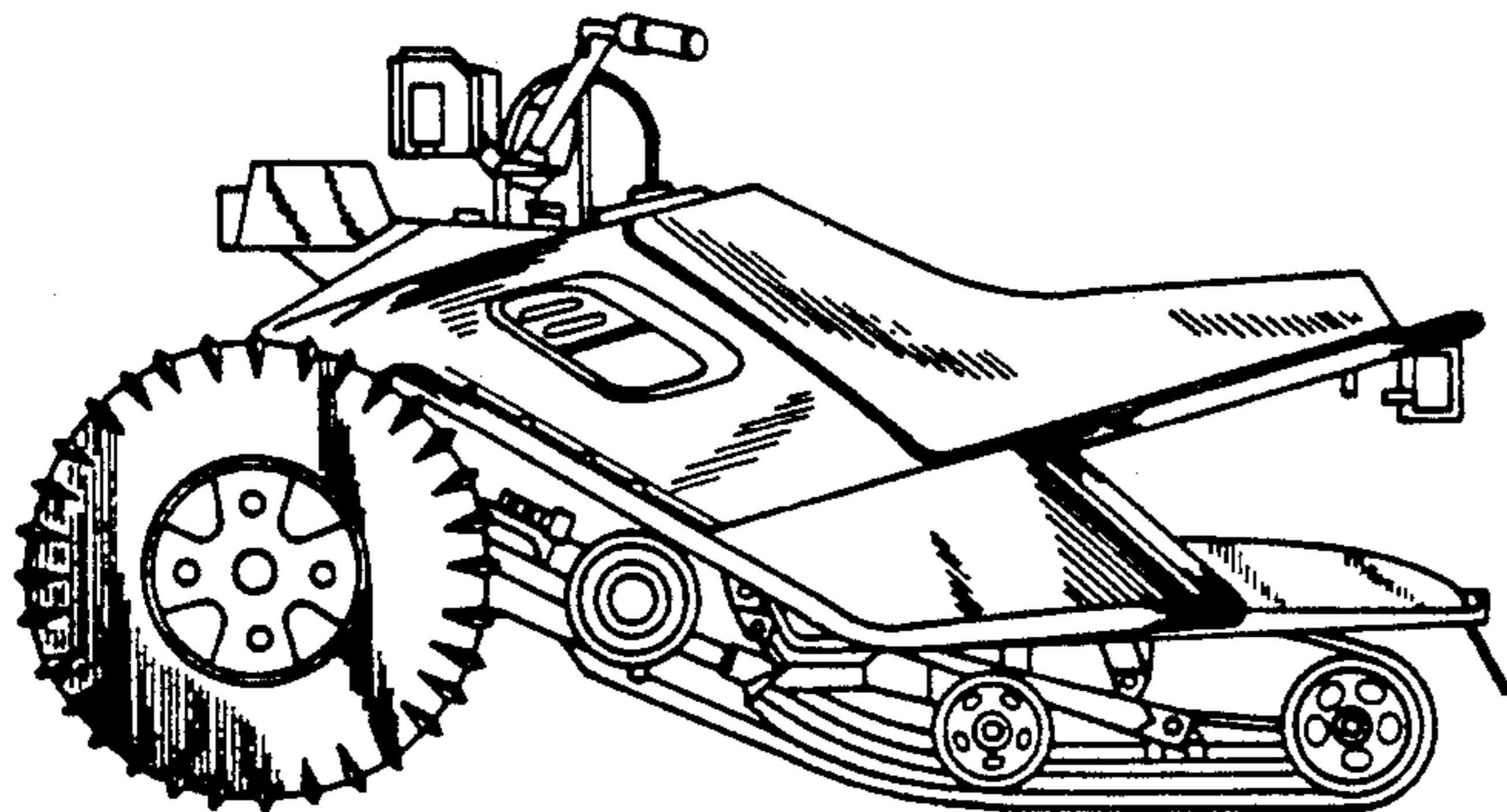


FIG. 2

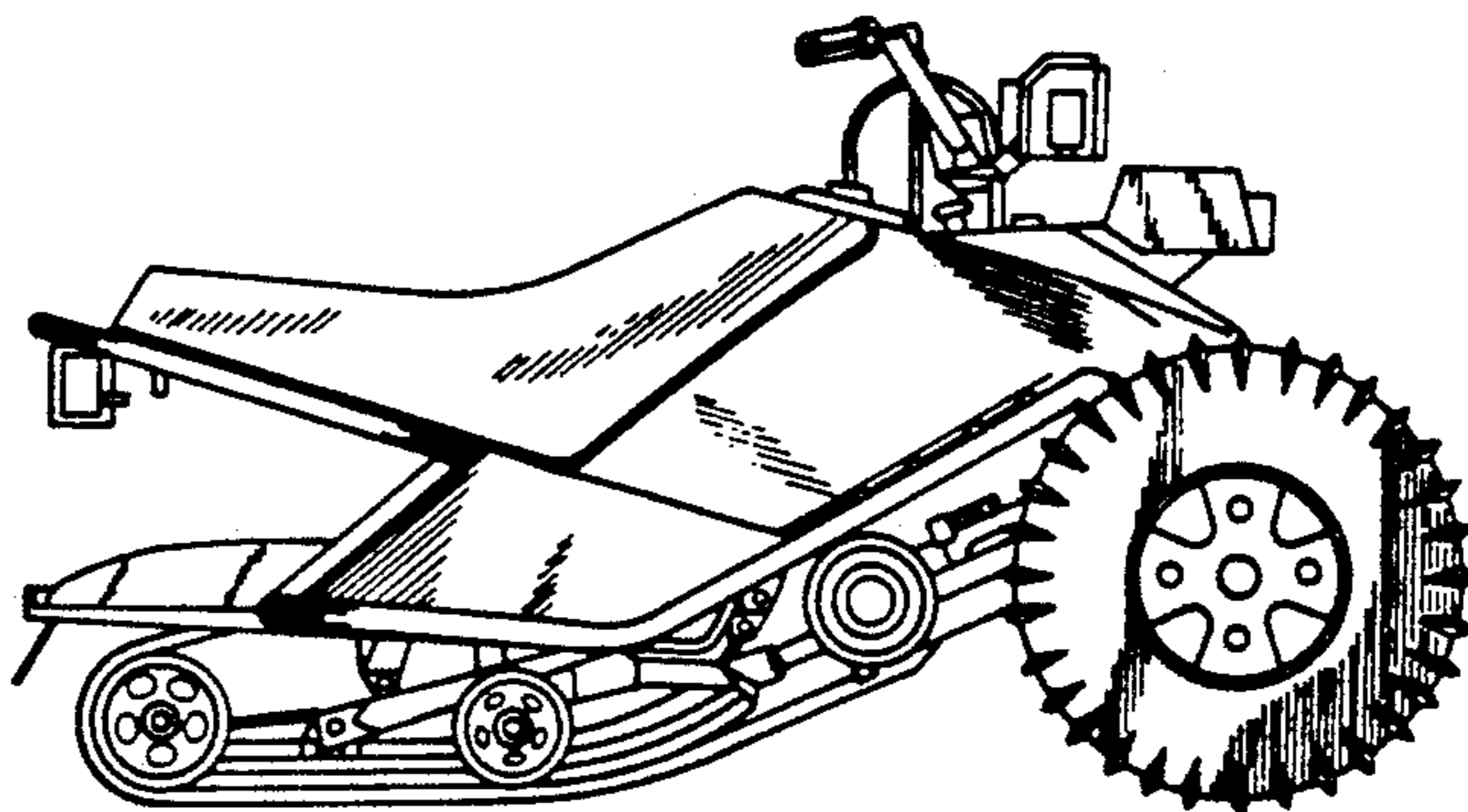


FIG. 3

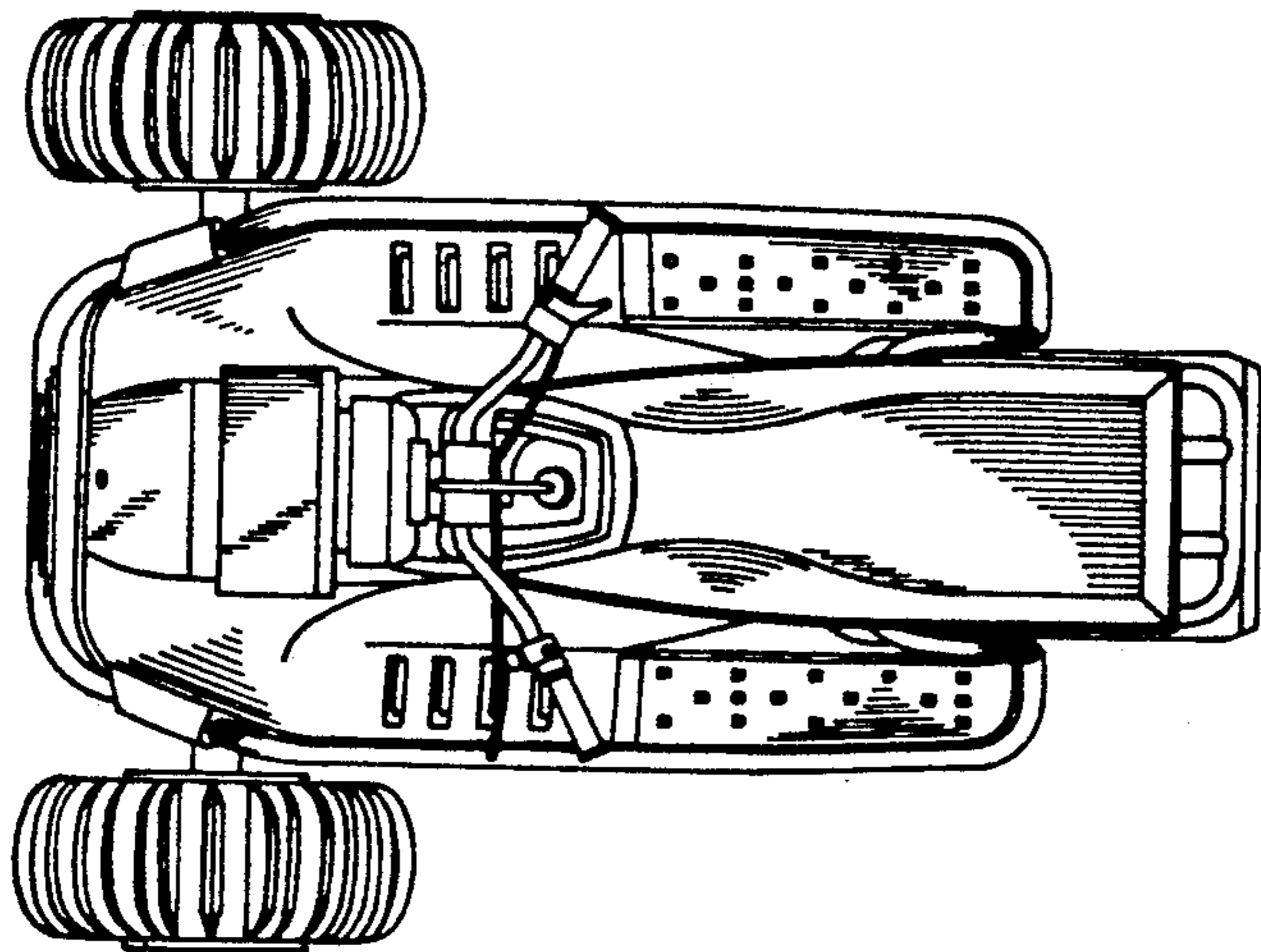


FIG. 4

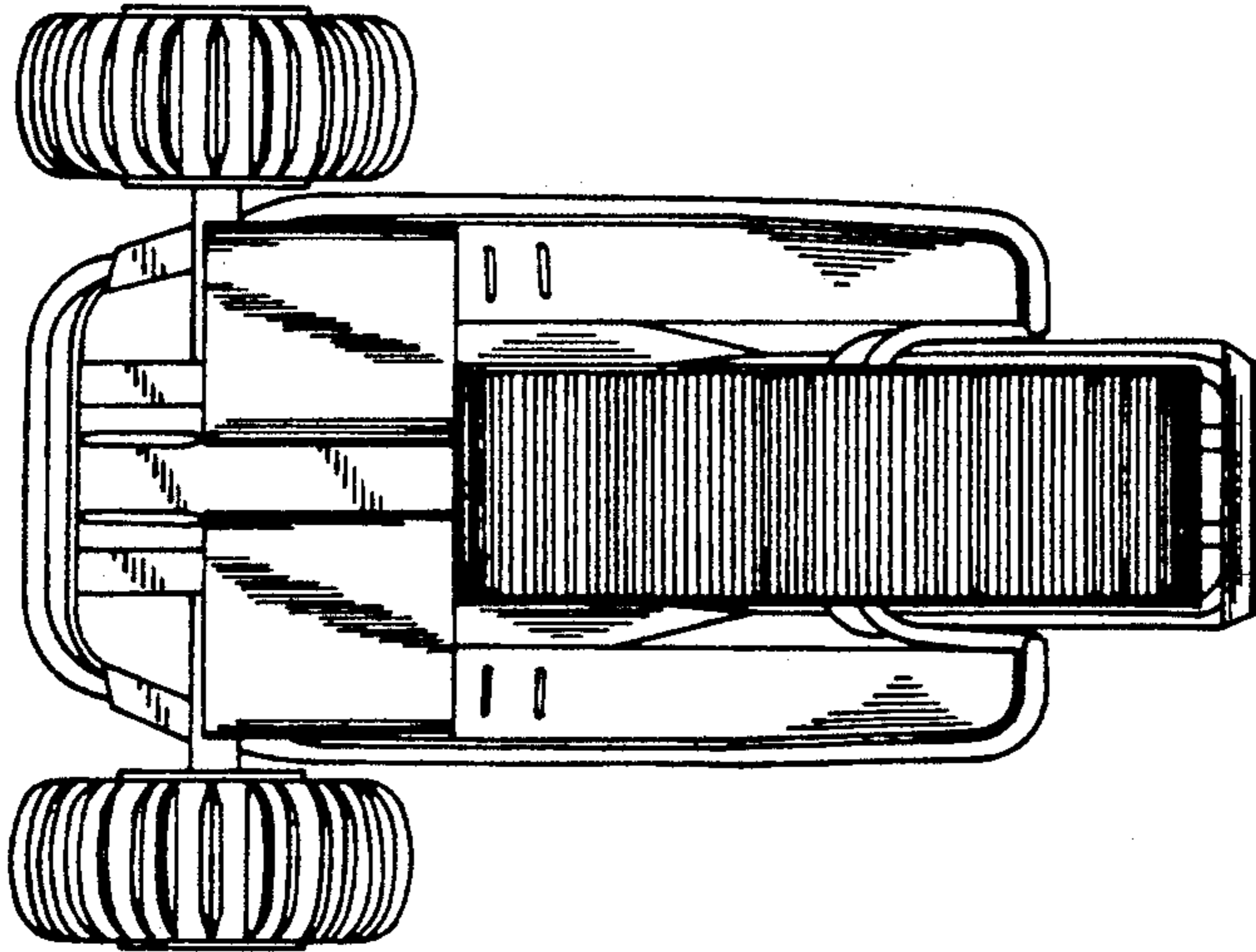


FIG. 5

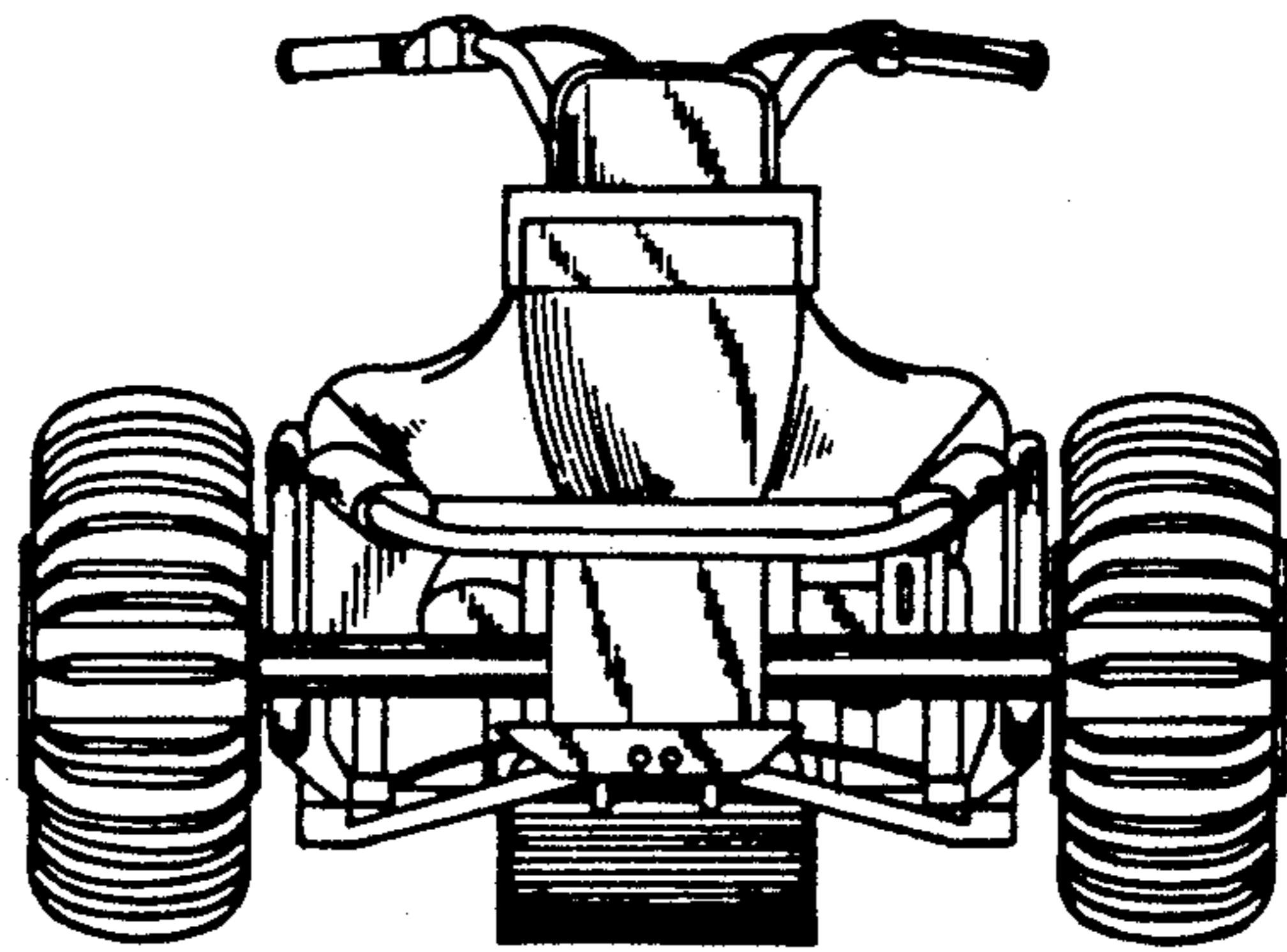


FIG. 6

