



US00D331550S

United States Patent [19]

Grabau

[11] Patent Number: **Des. 331,550**

[45] Date of Patent: **** Dec. 8, 1992**

[54] **GROUND EFFECT EMERGENCY TRANSPORT VEHICLE**

[76] Inventor: **Kenton J. Grabau**, 11408 Westmont Dr., Papillon, Nebr. 68138

[**] Term: **14 Years**

[21] Appl. No.: **626,852**

[22] Filed: **Dec. 13, 1990**

[52] U.S. Cl. **D12/5**

[58] Field of Search **D12/5; 180/116, 117, 180/118, 123, 125, 127**

3,917,022 11/1975 Brooks 180/127
 4,069,634 1/1978 Bouter 52/648

Primary Examiner—Wallace R. Burke
Assistant Examiner—Melody Brown
Attorney, Agent, or Firm—Terry M. Gernstein

[57] CLAIM

The ornamental design for a ground effect emergency transport vehicle, as shown and described.

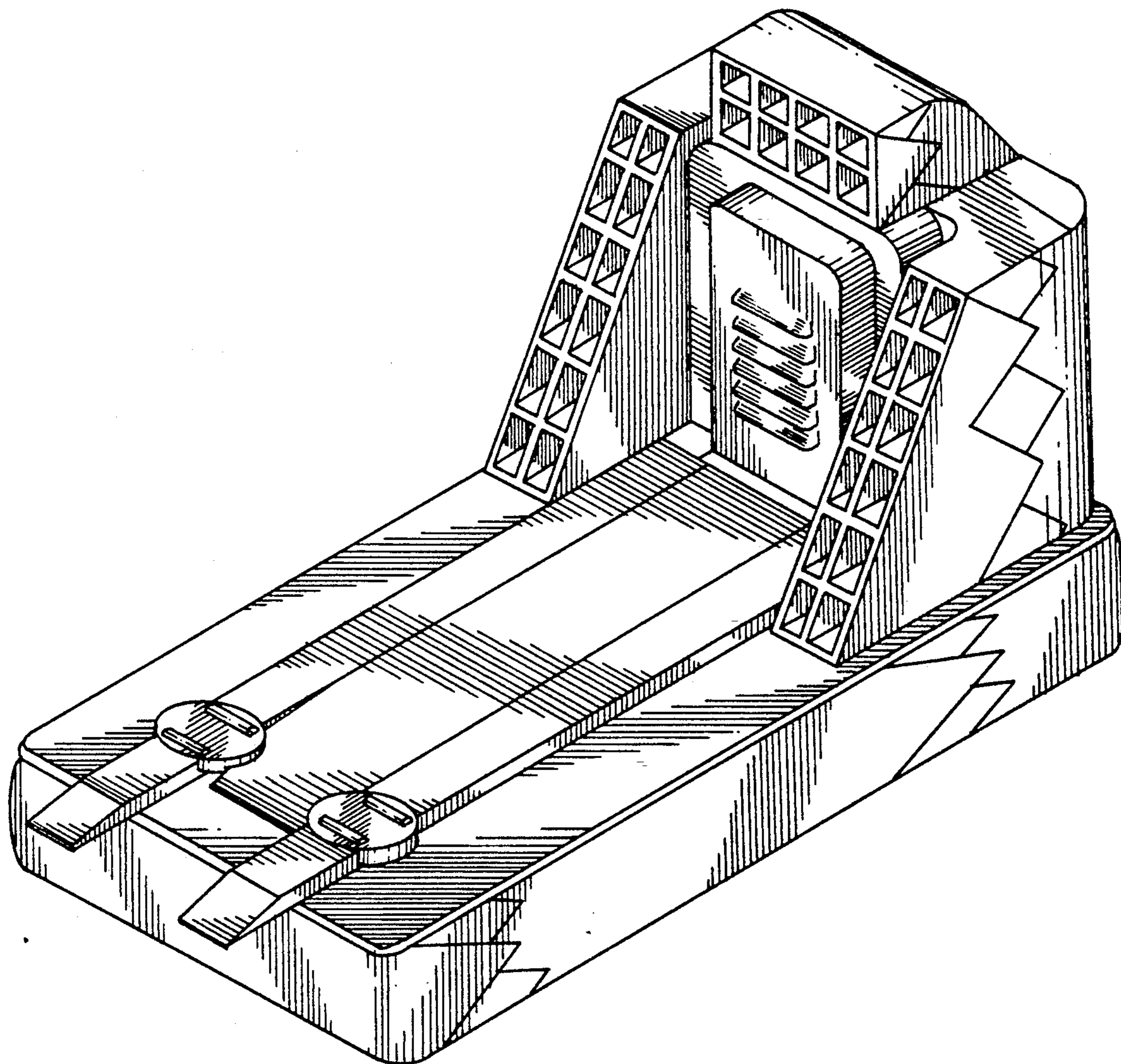
DESCRIPTION

FIG. 1 is a perspective view of a ground effect emergency transport vehicle showing my new design; FIG. 2 is a front elevational view thereof; FIG. 3 is a rear elevational view thereof; FIG. 4 is a side elevational view thereof, the side opposite being a mirror image of the side shown in FIG. 4; FIG. 5 is a top plan view thereof; and, FIG. 6 is a bottom plan view thereof.

[56] **References Cited**

U.S. PATENT DOCUMENTS

D. 227,171 6/1973 Wheeler D12/5
 D. 248,029 5/1978 Hart et al. D12/5
 D. 317,885 7/1991 Halicki D12/5
 3,856,106 12/1974 Sobey 180/116



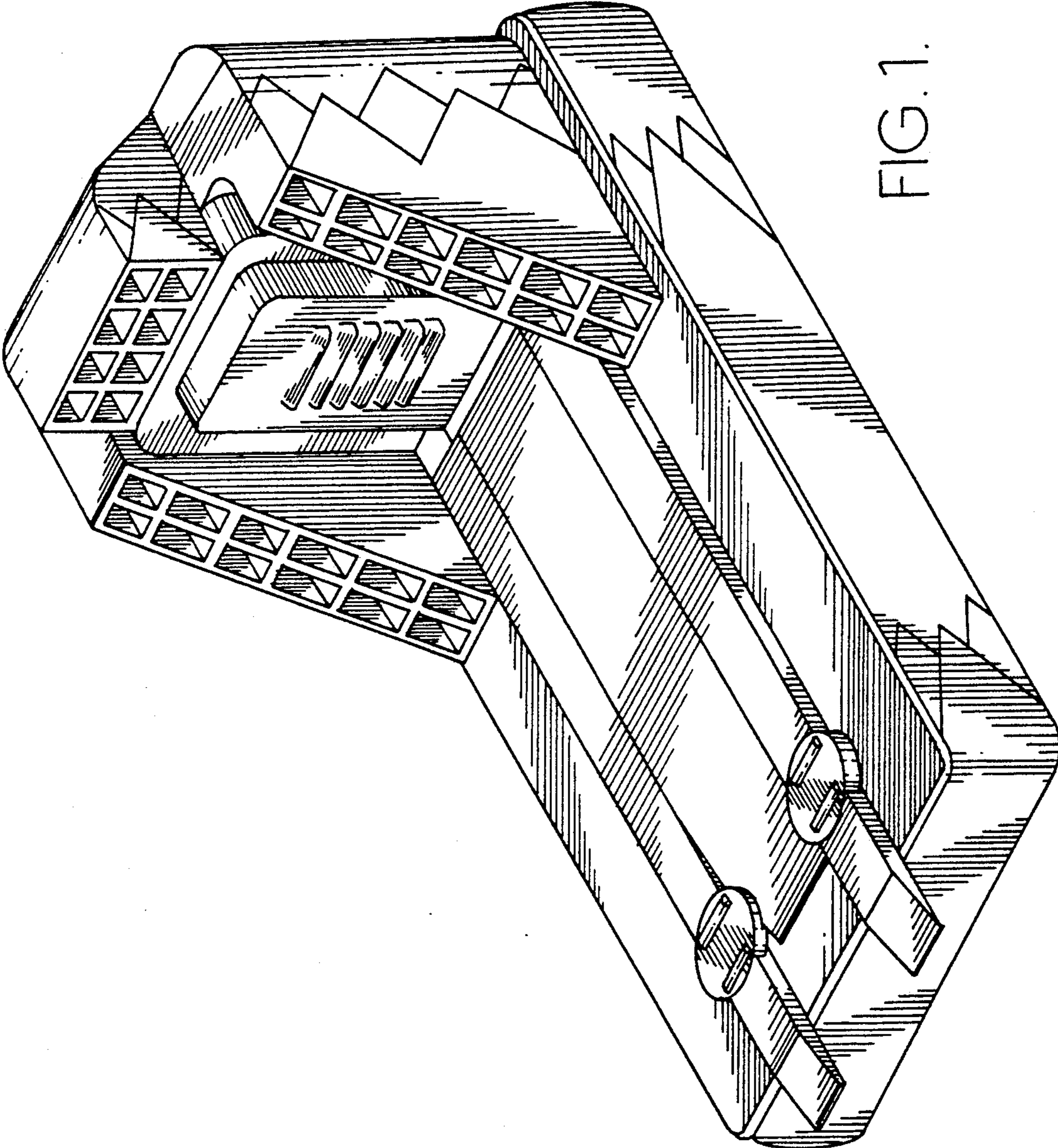


FIG. 1.

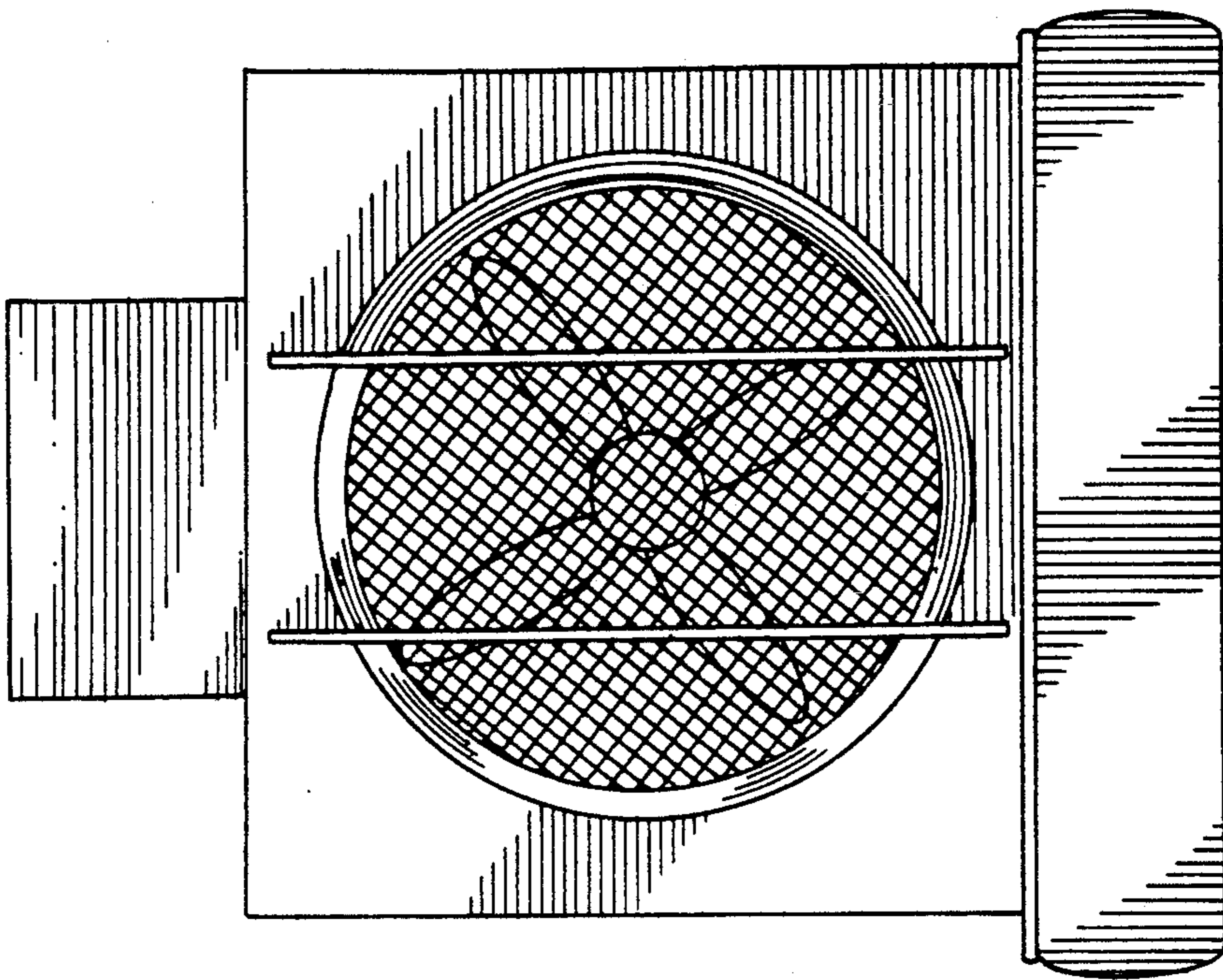


FIG. 3.

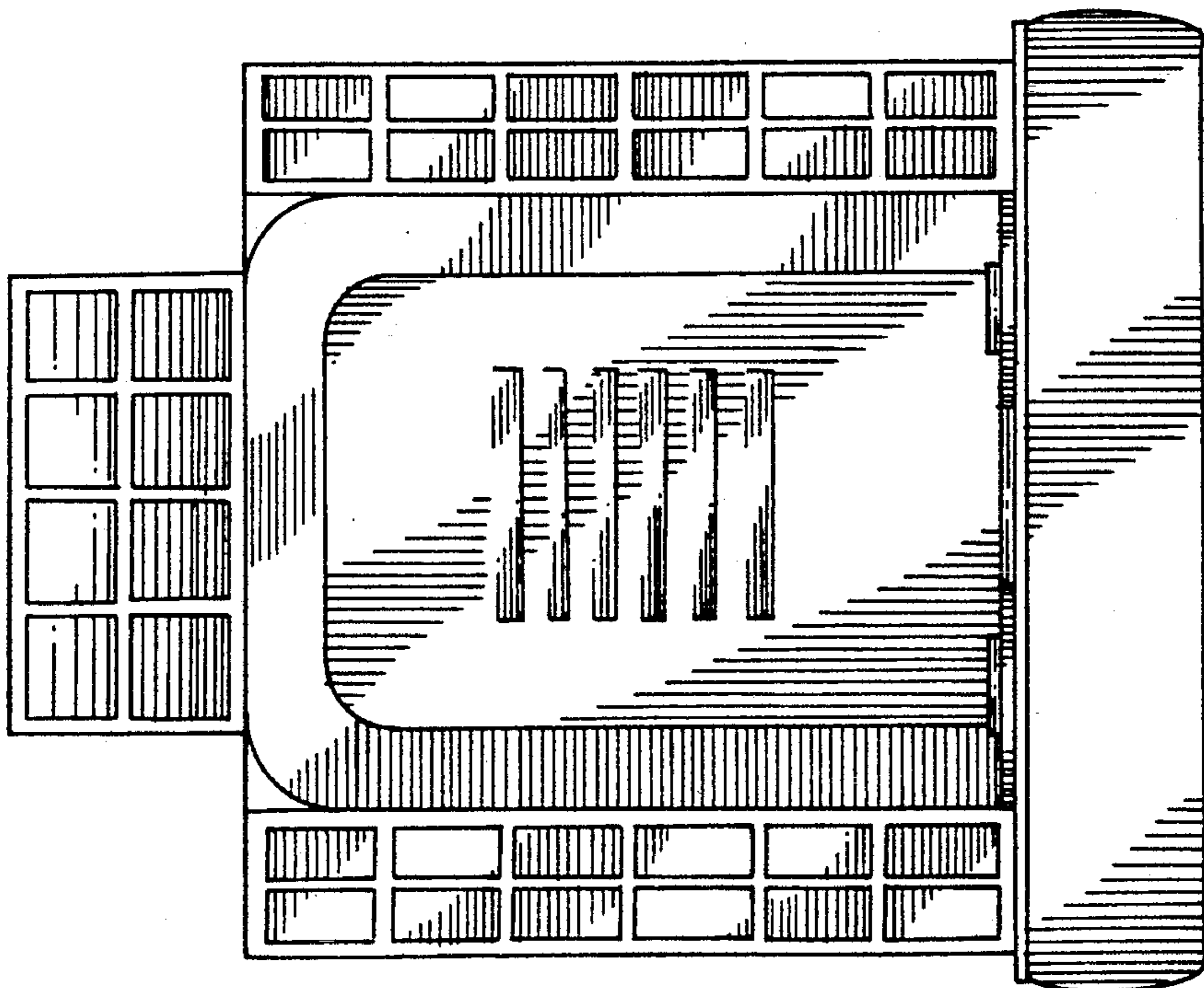


FIG. 2.

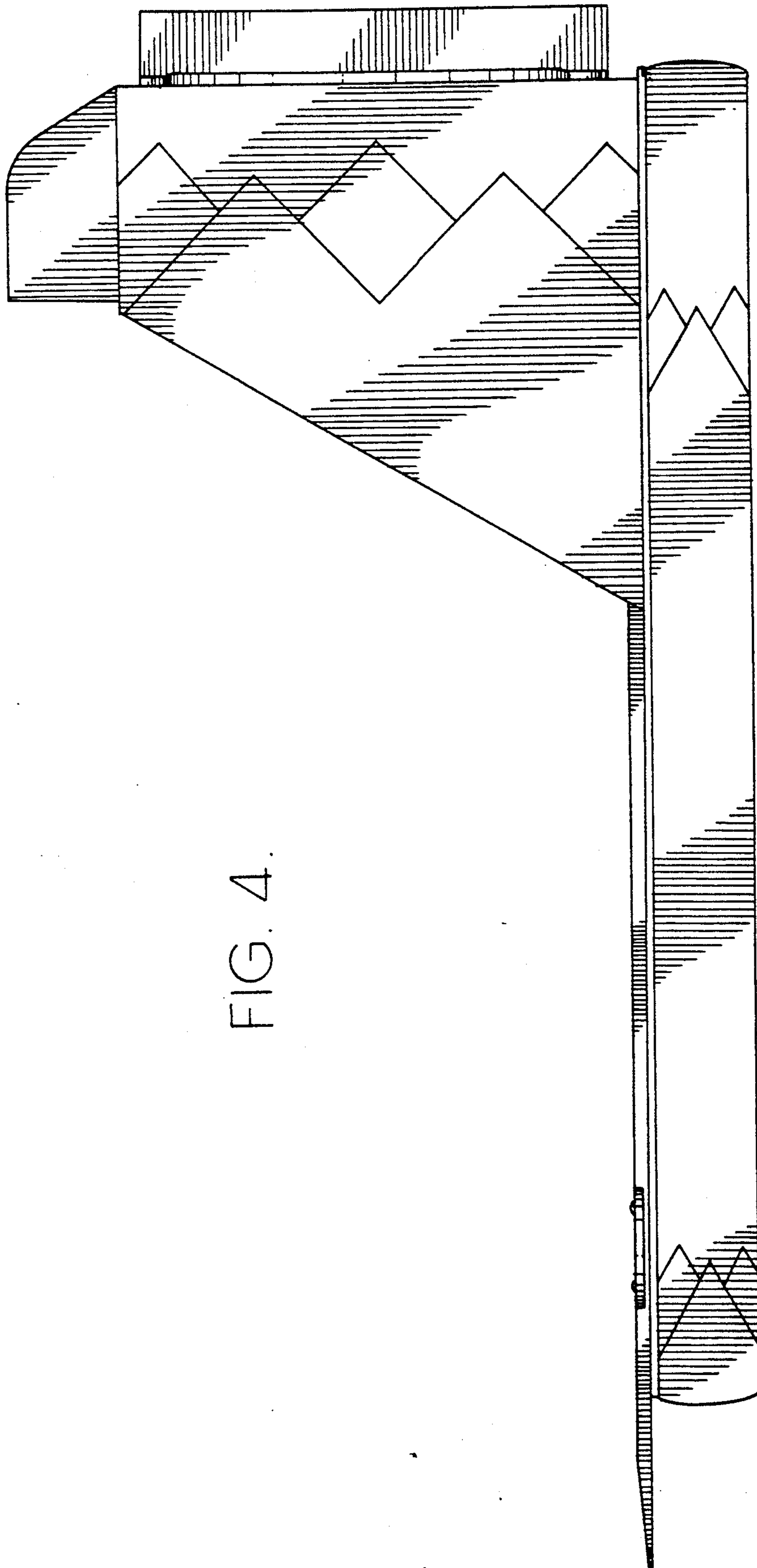


FIG. 4.

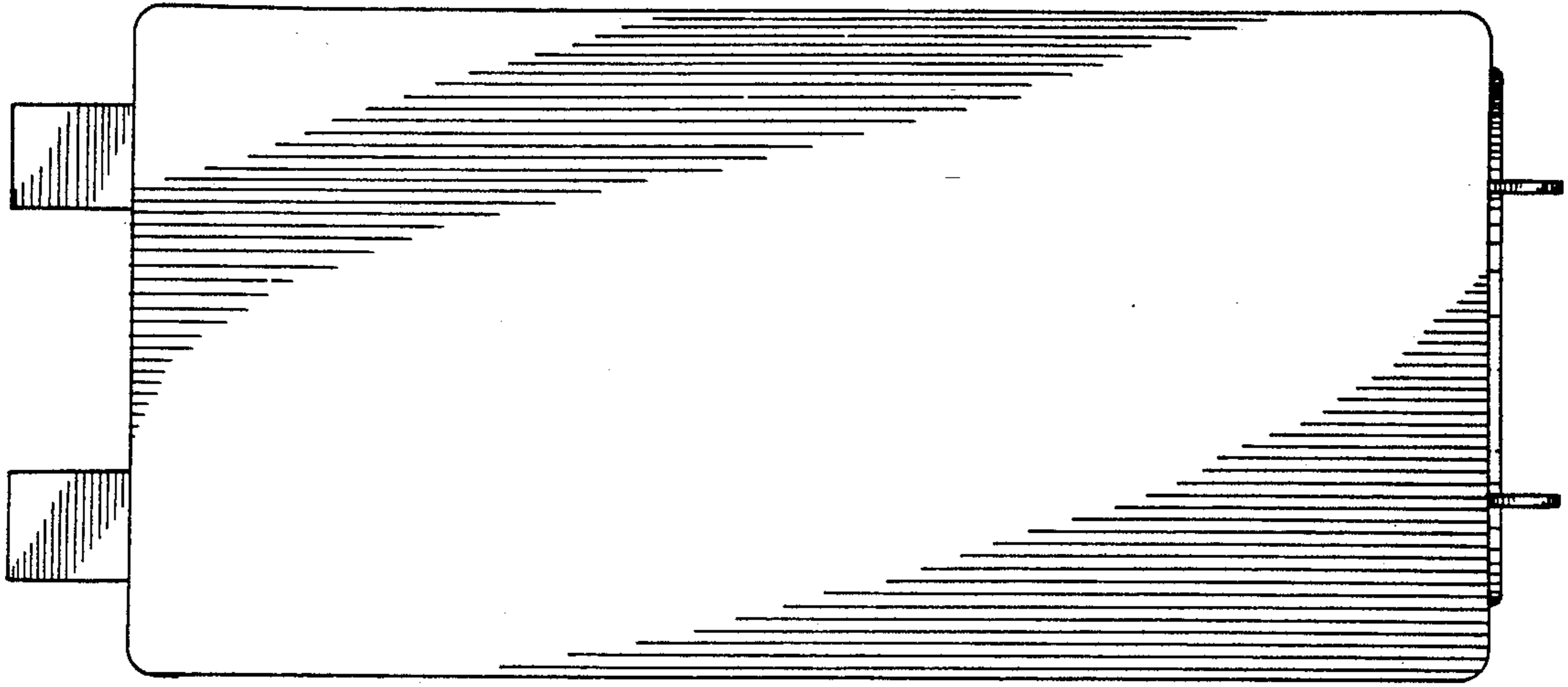


FIG. 6.

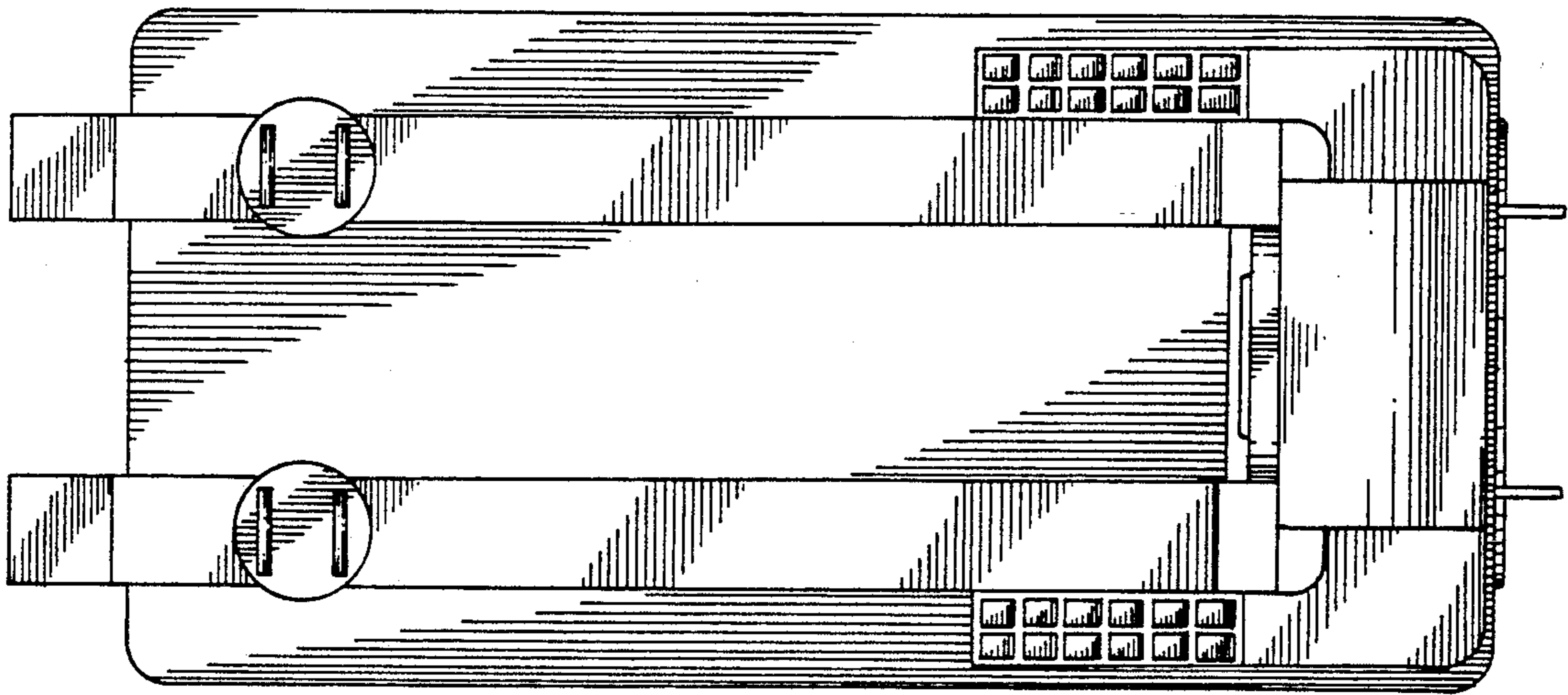


FIG. 5.