



US00D331547S

United States Patent [19]

Ogawa et al.

[11] Patent Number: **Des. 331,547**

[45] Date of Patent: **** Dec. 8, 1992**

[54] **FIRE DETECTOR**

[75] Inventors: **Akio Ogawa; Kazuyuki Goto**, both of Tokyo, Japan

[73] Assignee: **Nittan Co., Ltd.**, Tokyo, Japan

[*] Notice: The portion of the term of this patent subsequent to Sep. 10, 2005 has been disclaimed.

[**] Term: **14 Years**

[21] Appl. No.: **594,225**

[22] Filed: **Oct. 4, 1990**

[30] **Foreign Application Priority Data**

Jun. 4, 1990 [JP] Japan 2-18538

[52] U.S. Cl. **D10/106**

[58] Field of Search D10/104, 106, 121; 340/693, 628, 629, 630, 631, 593, 540; 250/574

[56] **References Cited**

U.S. PATENT DOCUMENTS

D. 225,379 12/1972 Gallagher et al. D10/106
D. 226,037 1/1973 Cannon et al. D10/106

D. 235,629 7/1975 Steele D10/106
D. 271,671 12/1983 Thornton, Jr. D10/104
D. 276,417 11/1984 Fenne D10/106
D. 319,798 9/1991 Hatano D10/106

FOREIGN PATENT DOCUMENTS

543410 5/1984 Japan .

Primary Examiner—Wallace R. Burke
Assistant Examiner—Marcus Jackson
Attorney, Agent, or Firm—Sughrue Mion Zinn Macpeak & Seas

[57] **CLAIM**

The ornamental design for a fire detector, as shown and described.

DESCRIPTION

FIG. 1 is a perspective view of a fire detector showing our new design;
FIG. 2 is a top plan view thereof;
FIG. 3 is a rear elevational view thereof;
FIG. 4 is a front elevational view thereof;
FIG. 5 is a side elevational view thereof, the opposite side being a mirror image thereof; and,
FIG. 6 is a bottom plan view thereof.

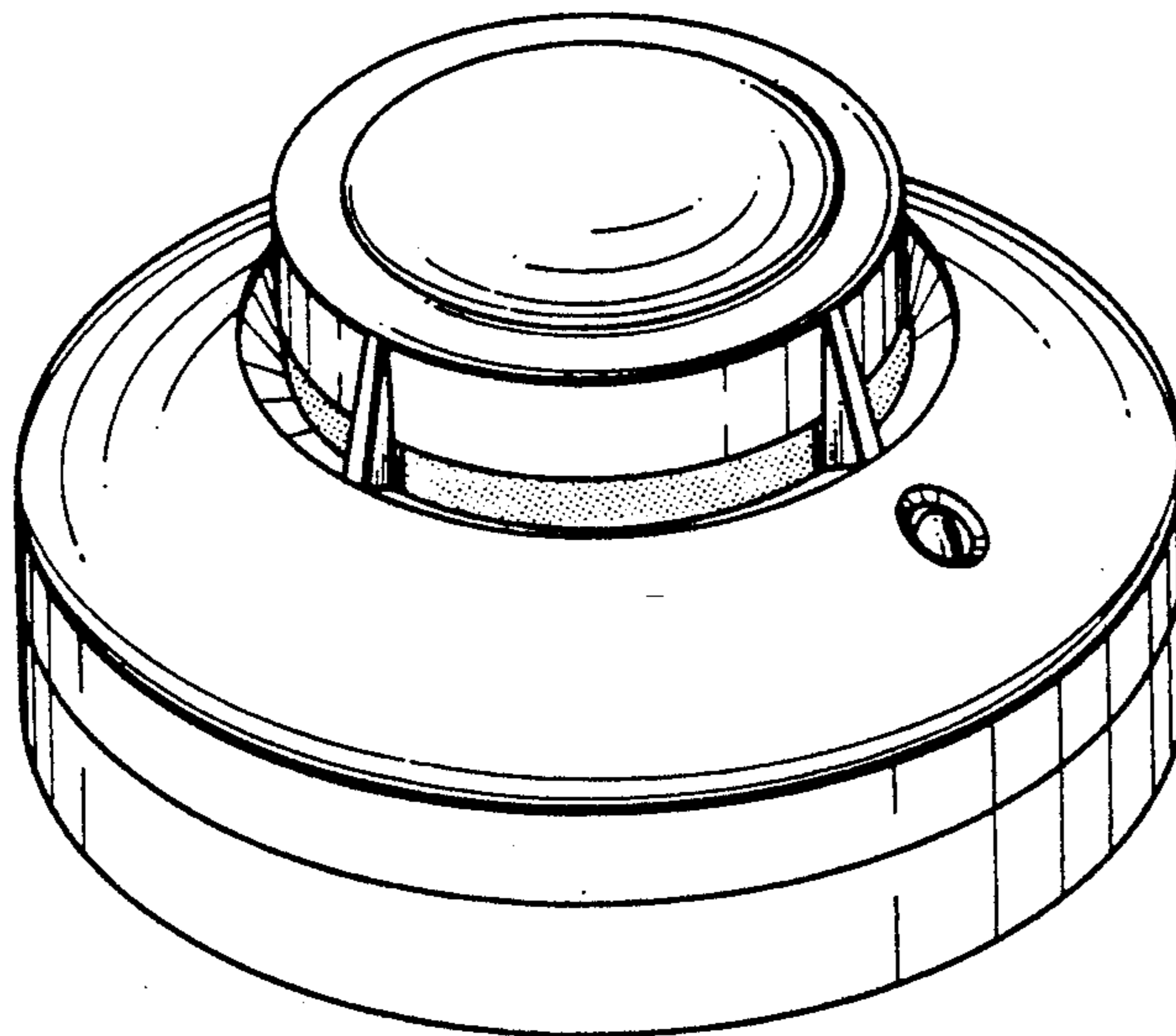


Fig. 1

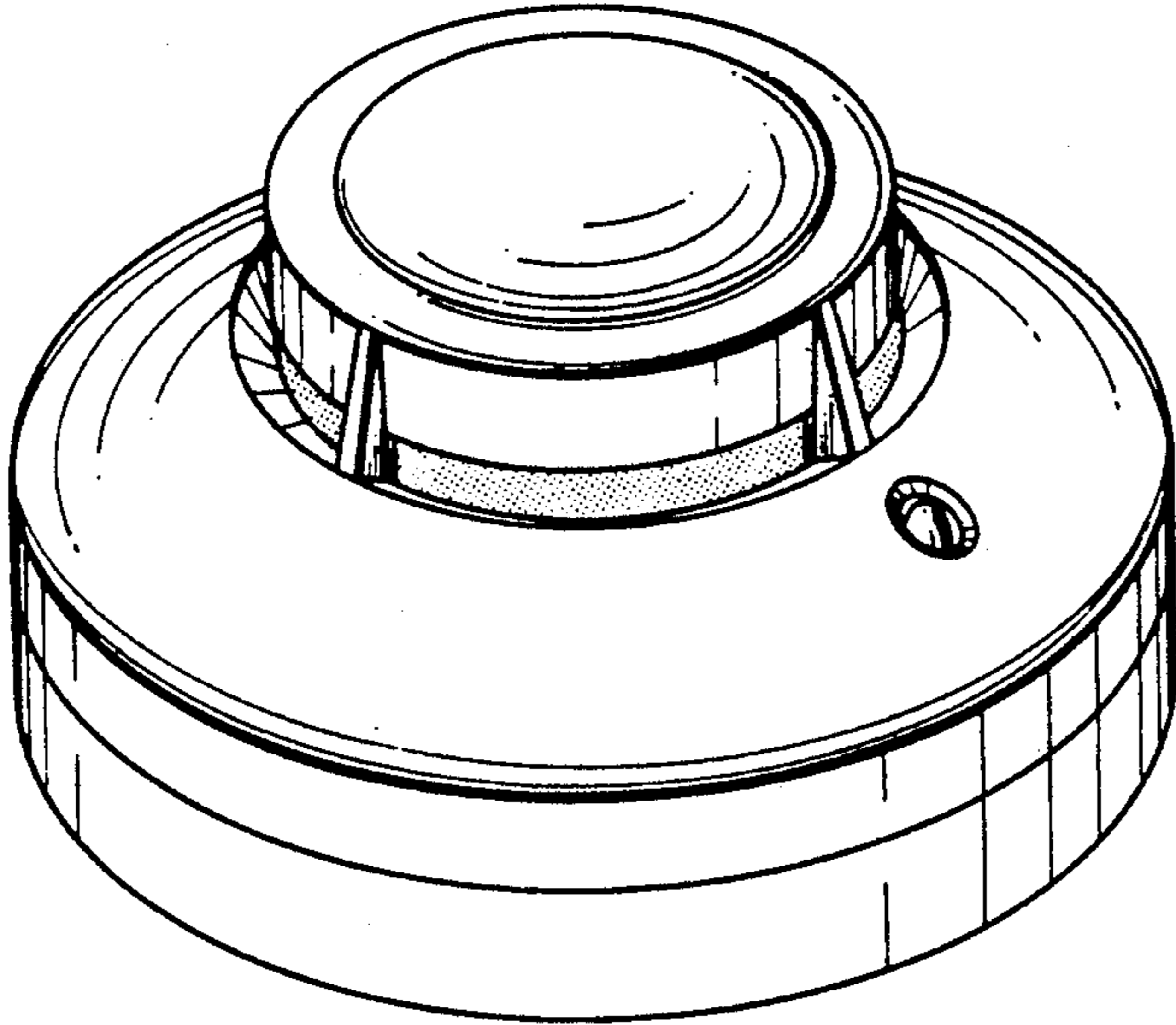


Fig. 2

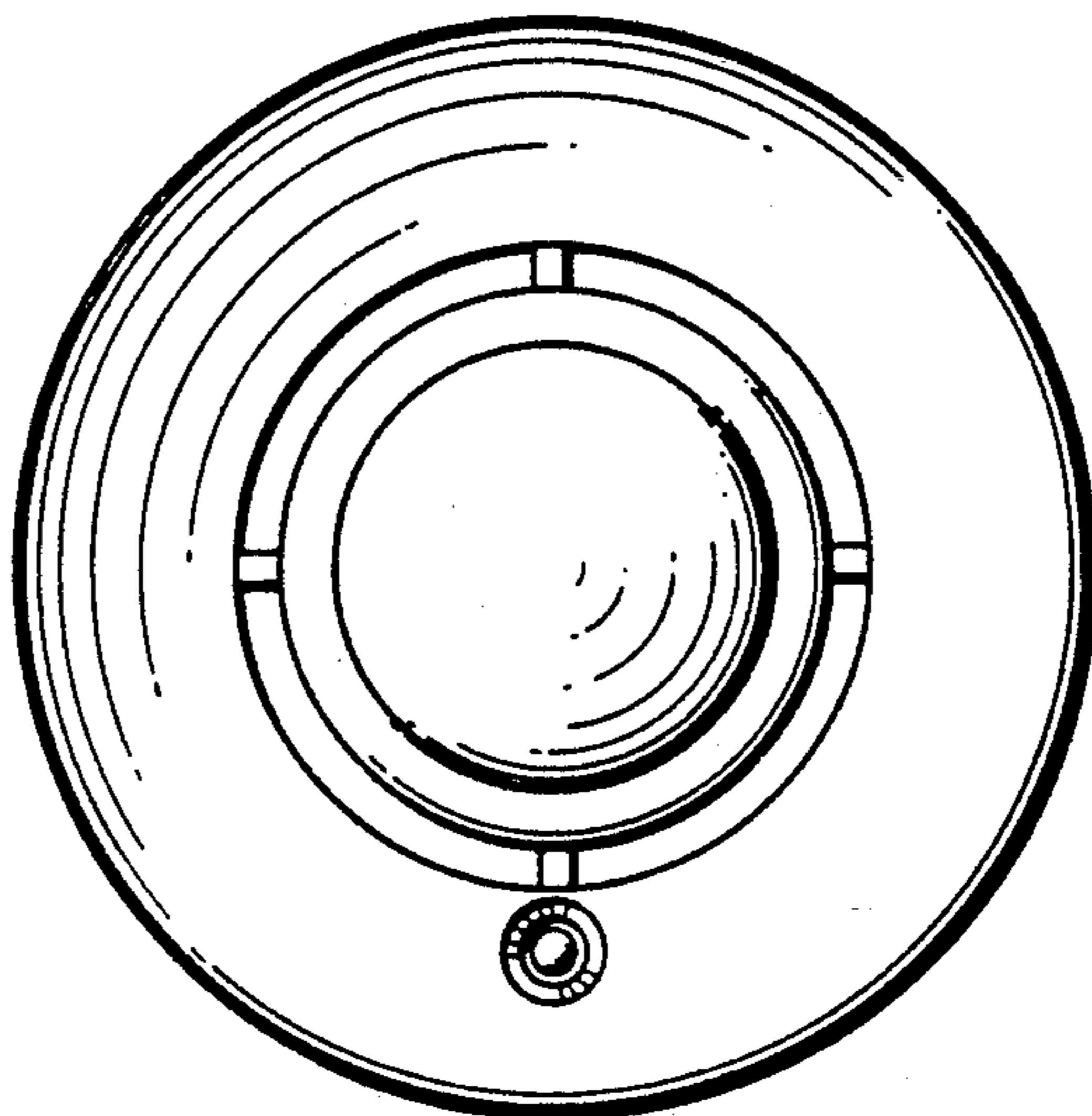


Fig. 3

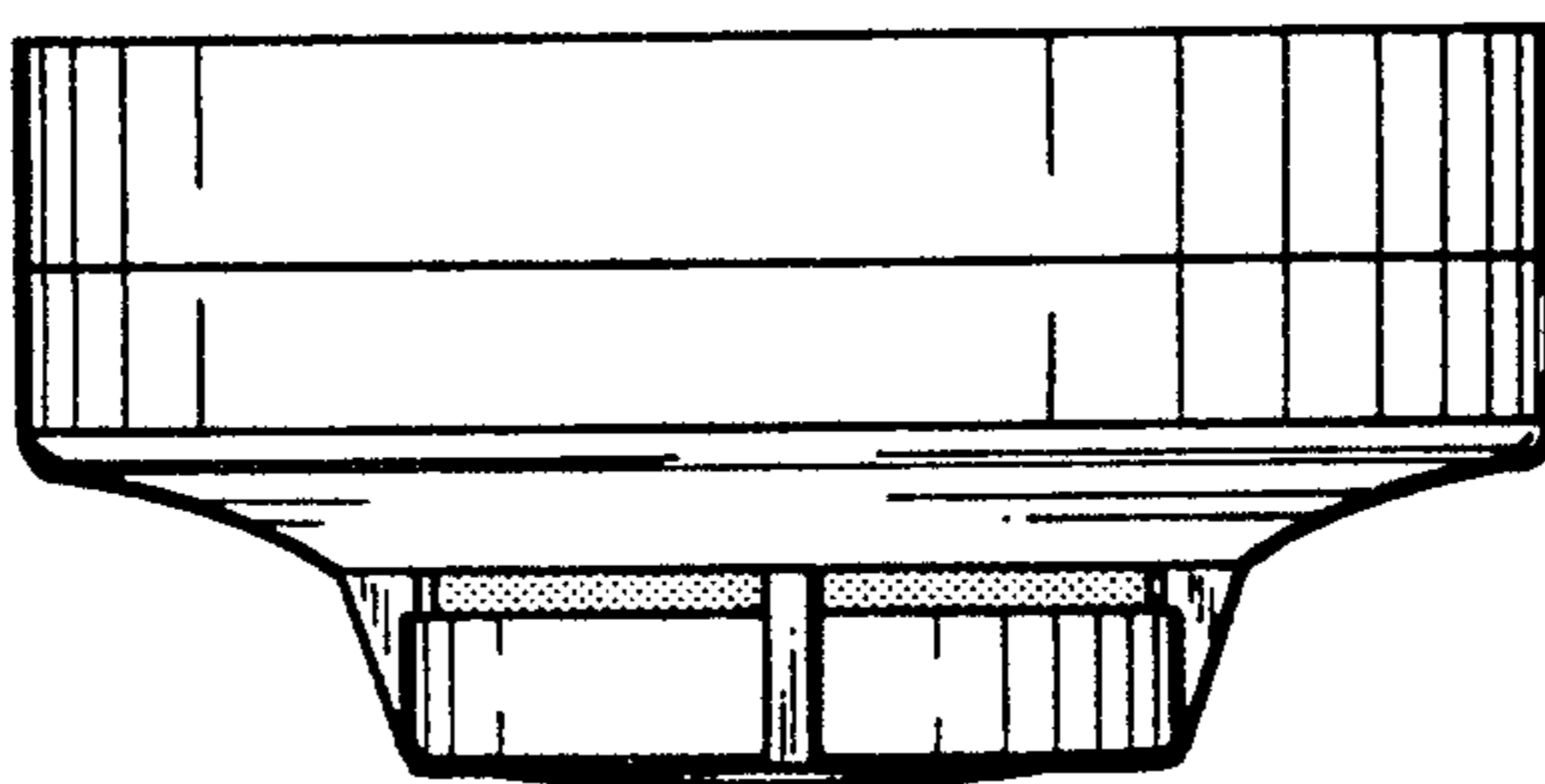


Fig. 4

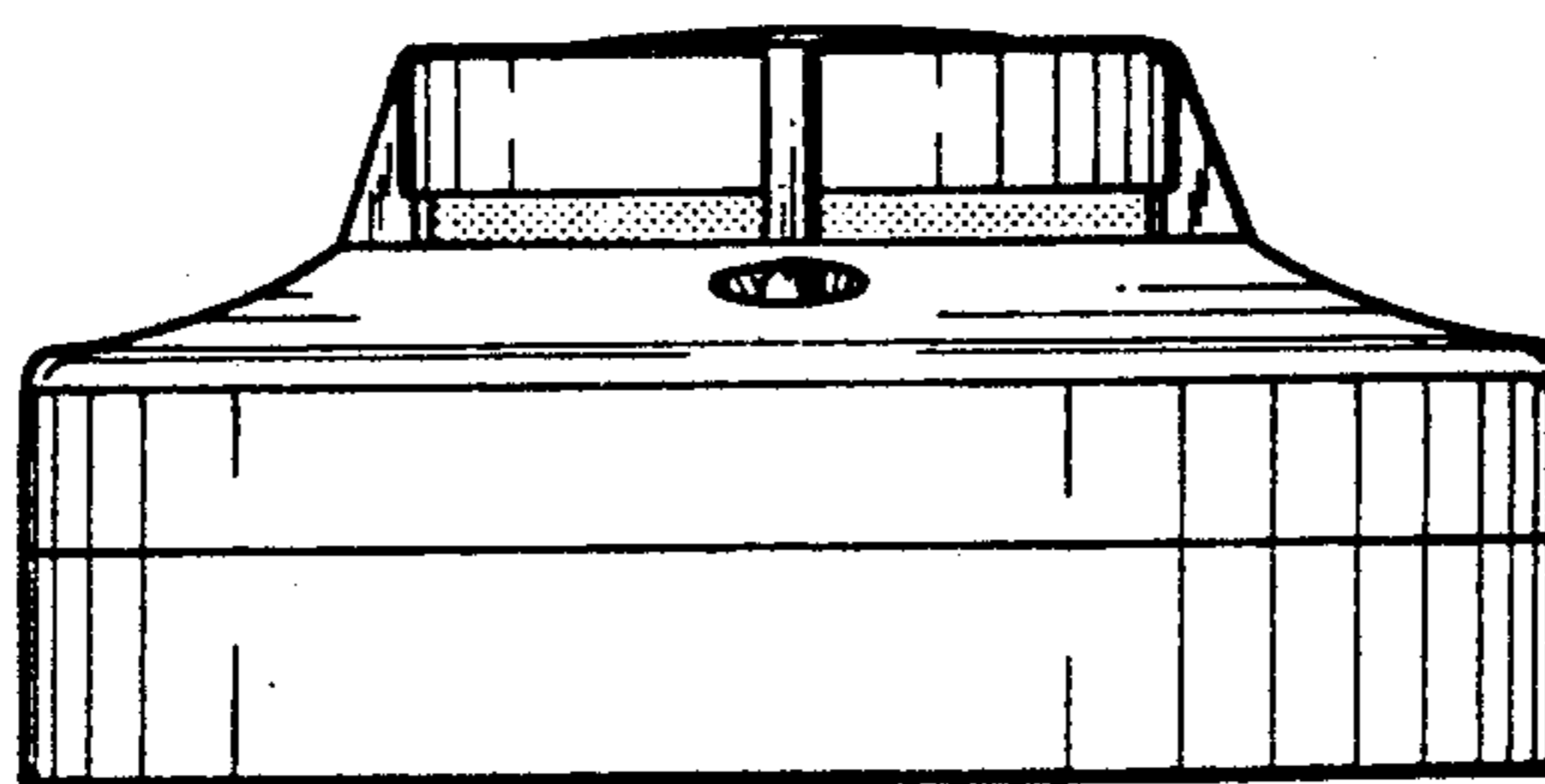


Fig. 5

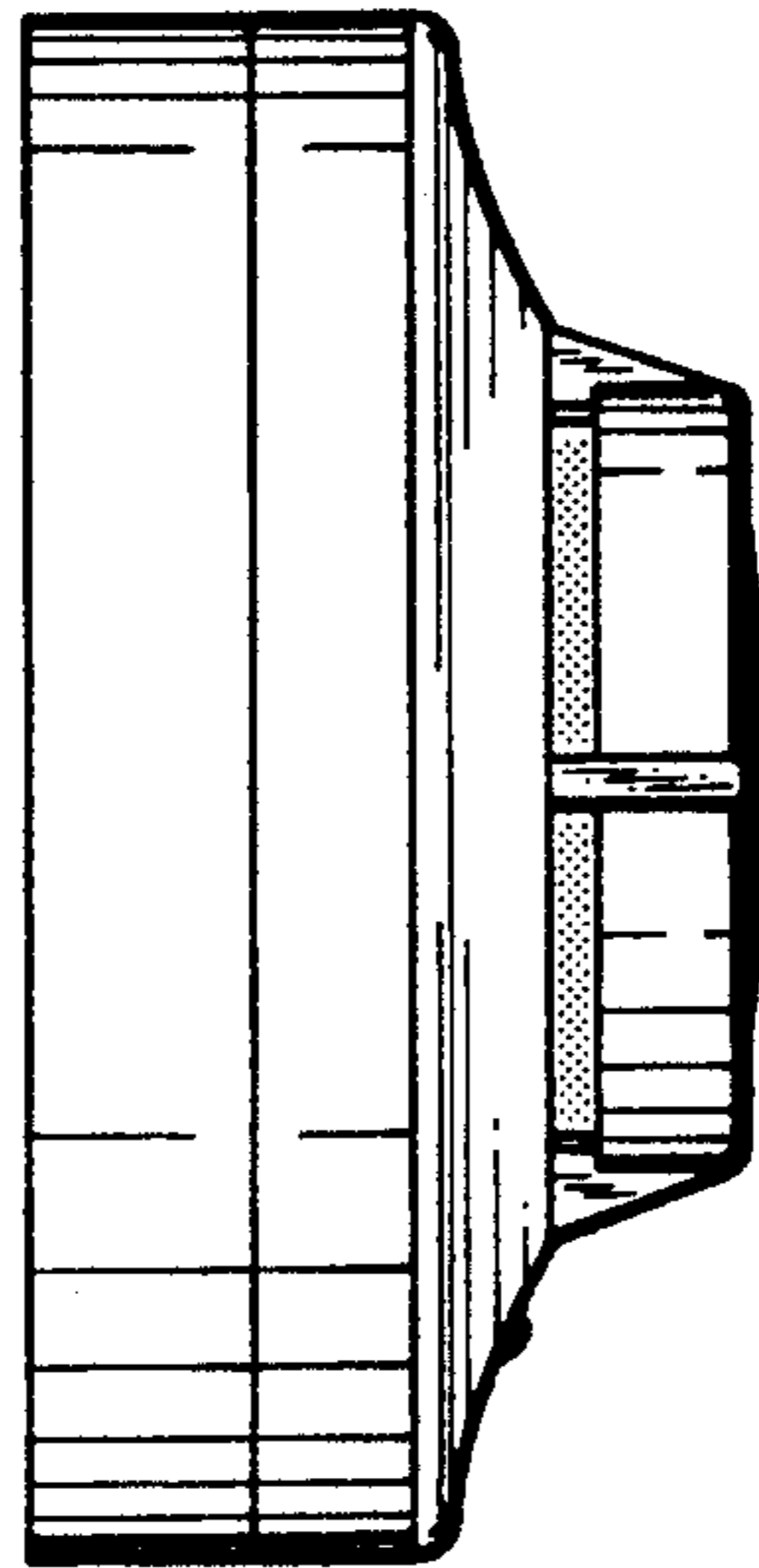


Fig. 6

