



US00D331545S

United States Patent [19]

Gussinklo

[11] Patent Number: **Des. 331,545**

[45] Date of Patent: **** Dec. 8, 1992**

[54] **COMPUTER SPEEDOMETER FOR BICYCLE**

[75] Inventor: **Paul G. Gussinklo**, Westervoort, Netherlands

[73] Assignee: **Stenman Holland B.V.**, Netherlands

[**] Term: **14 Years**

[21] Appl. No.: **493,870**

[22] Filed: **Mar. 15, 1990**

[30] **Foreign Application Priority Data**

Oct. 9, 1989 [IB] Int'l Pat. Institute **64809-00**

[52] U.S. Cl. **D10/98**

[58] Field of Search **D10/98; 235/95 R, 95 A, 235/95 B, 95 C; 324/160-180**

[56] **References Cited**

U.S. PATENT DOCUMENTS

D. 288,542 3/1987 Tsuyama **D10/98**

D. 304,306 10/1989 Kagayama **D10/98 X**

D. 310,495 9/1990 Kagayama **D10/98**

D. 319,597 9/1991 Kagayama **D10/98**
4,633,216 12/1986 Tsuyama **D10/98 X**

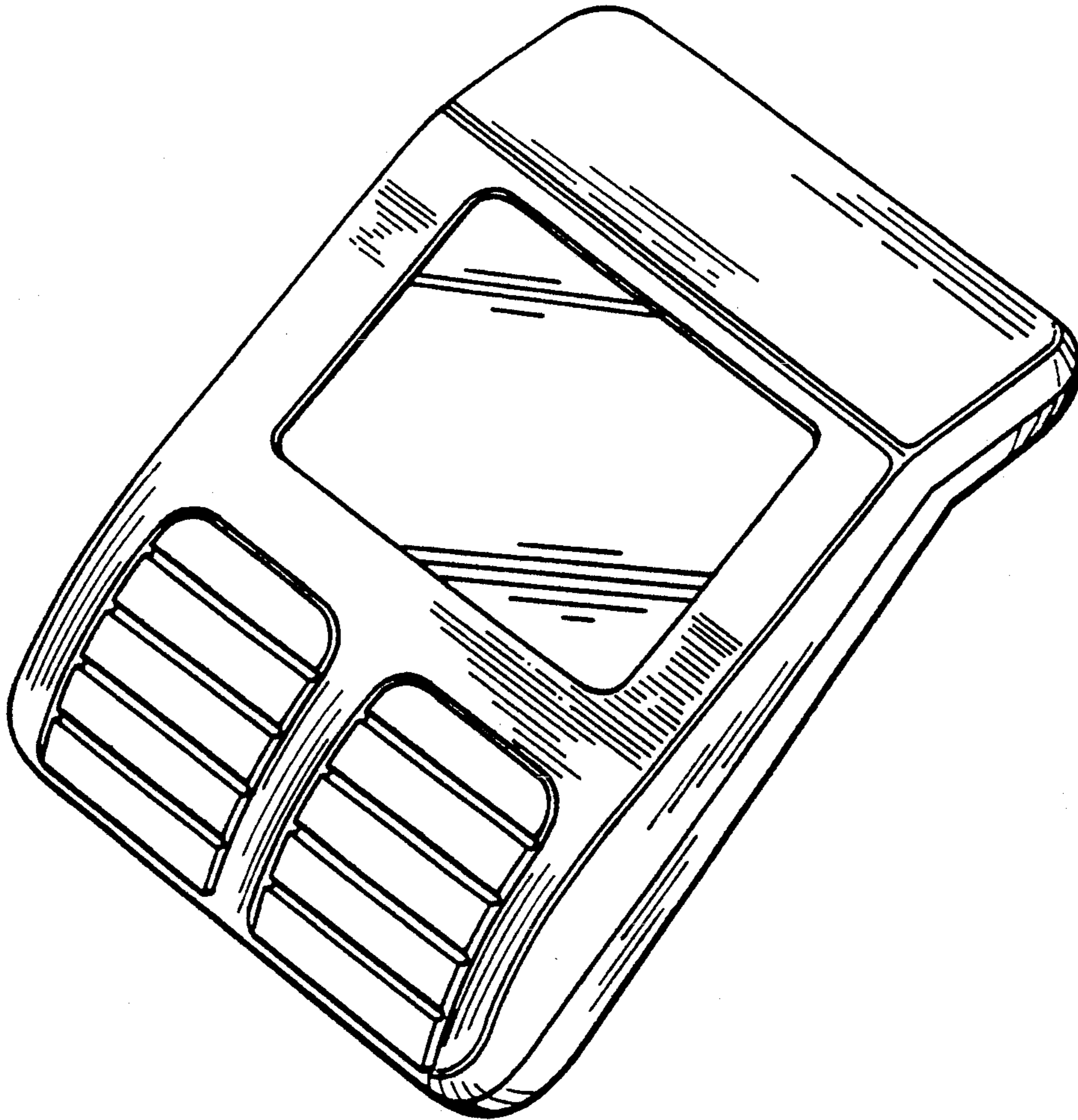
Primary Examiner—Nelson C. Holtje
Assistant Examiner—Antoine D. Davis
Attorney, Agent, or Firm—Ostrolenk, Faber, Gerb & Soffen

[57] **CLAIM**

The ornamental design for a computer speedometer for bicycle, as shown and described.

DESCRIPTION

FIG. 1 is a front view of a computer speedometer for bicycle showing my new design;
FIG. 2 is a side view thereof, the opposite being a mirror image thereof;
FIG. 3 is a rear view thereof;
FIG. 4 is a top view thereof;
FIG. 5 is a bottom view thereof; and,
FIG. 6 is a front perspective view thereof.
FIG. 6 has been drawn on an enlarged scale with respect to FIGS. 1-5.



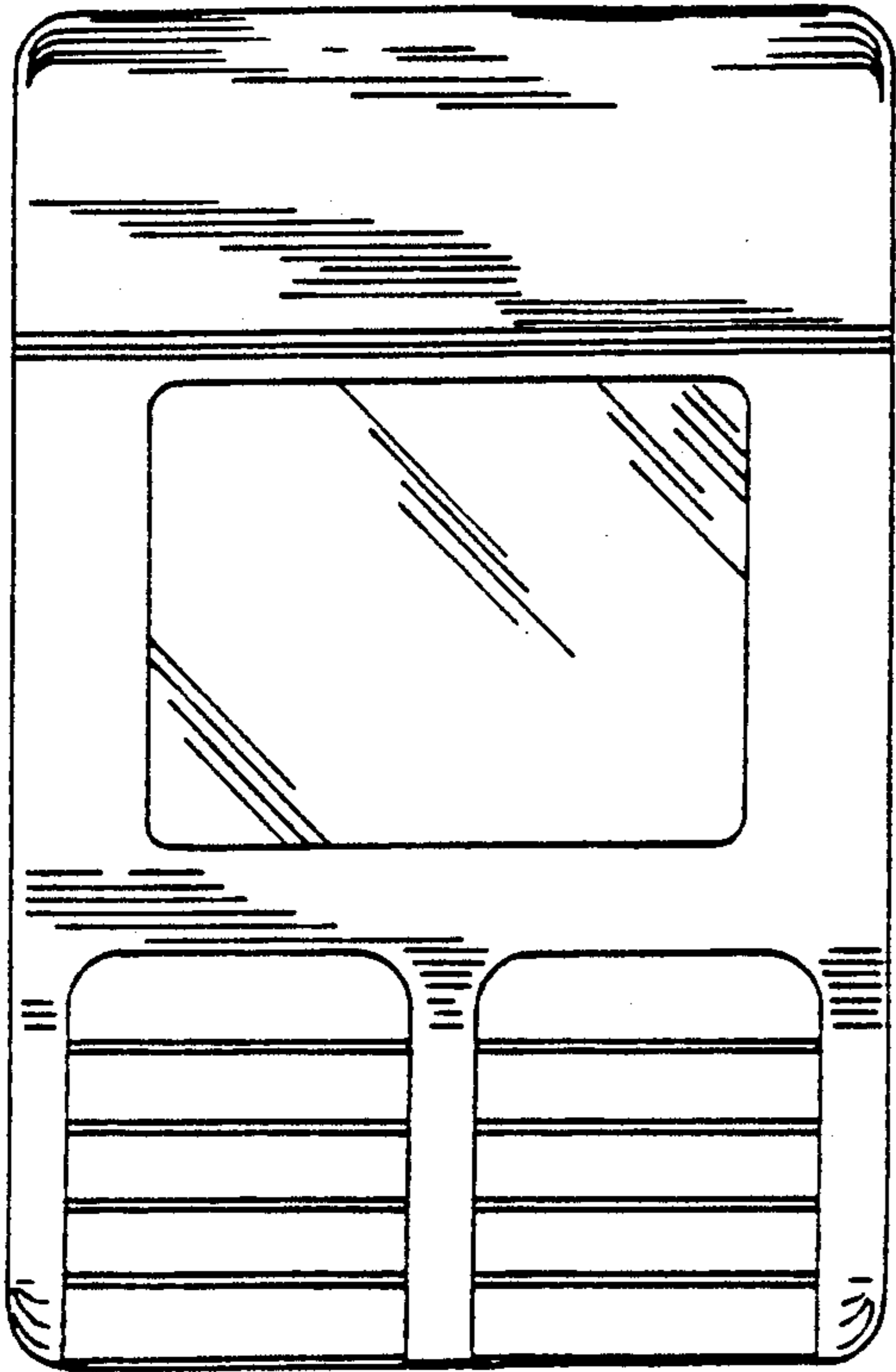


FIG. 1.

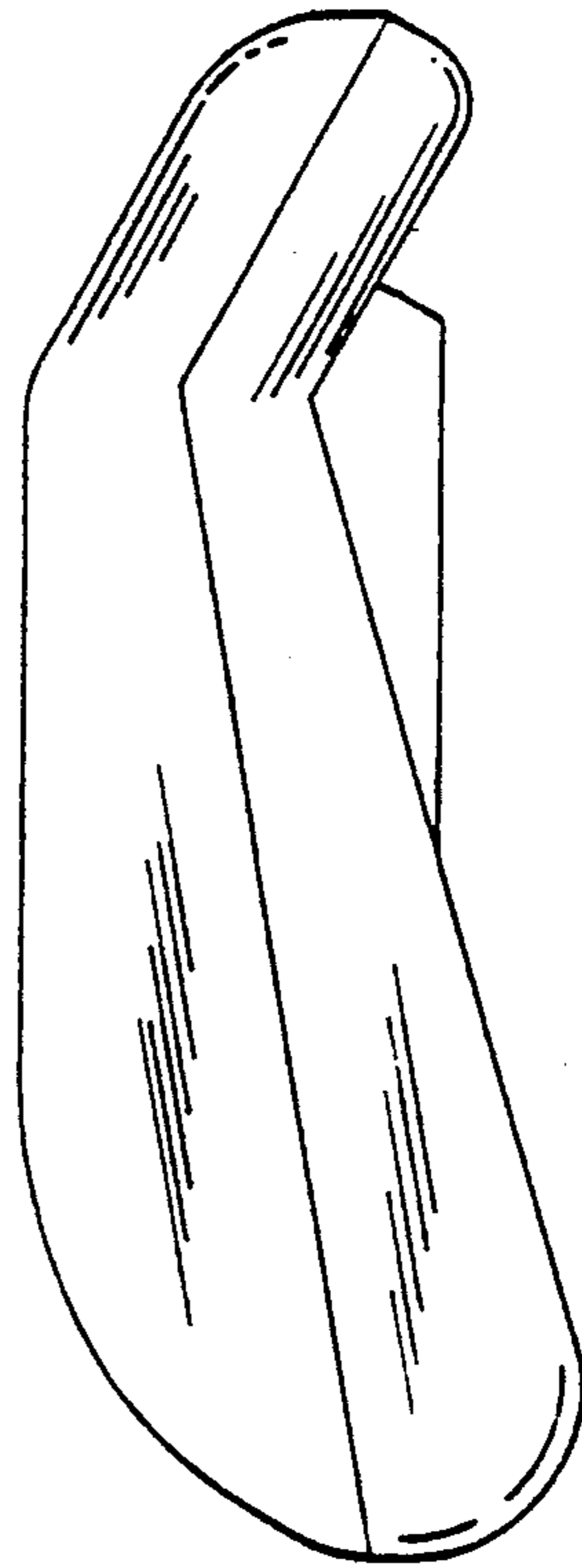


FIG. 2.

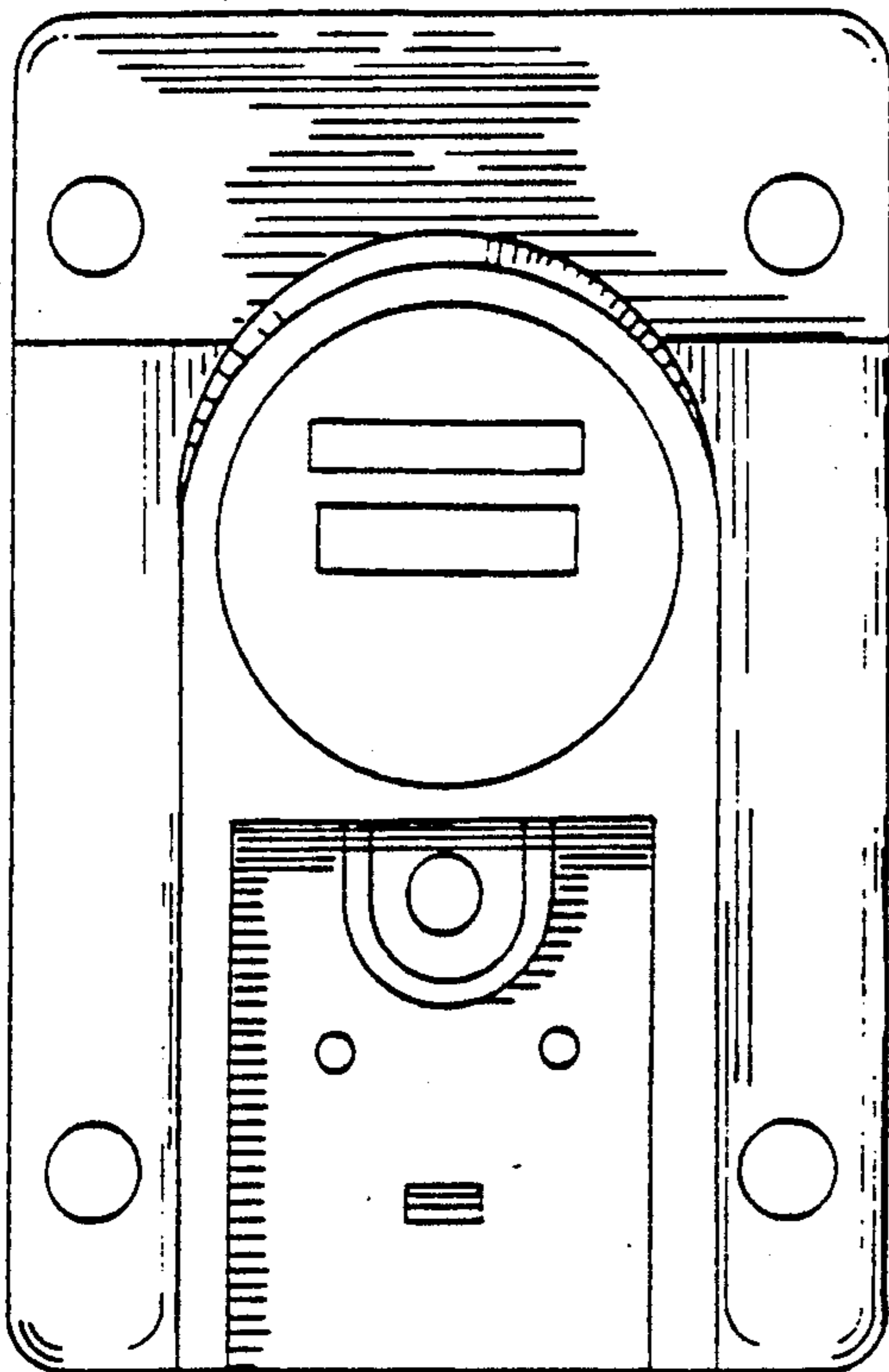


FIG. 3.

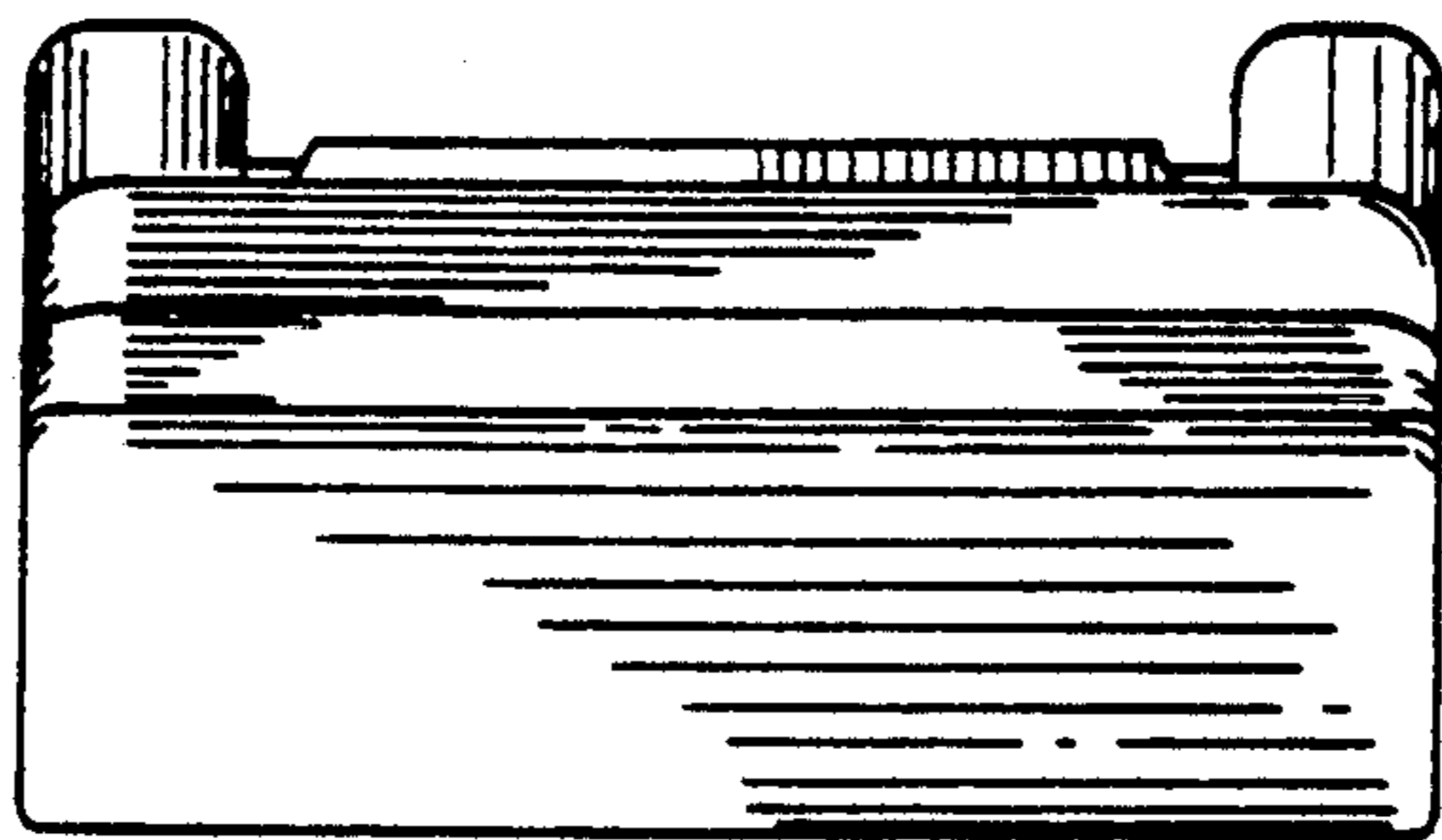


FIG. 4.

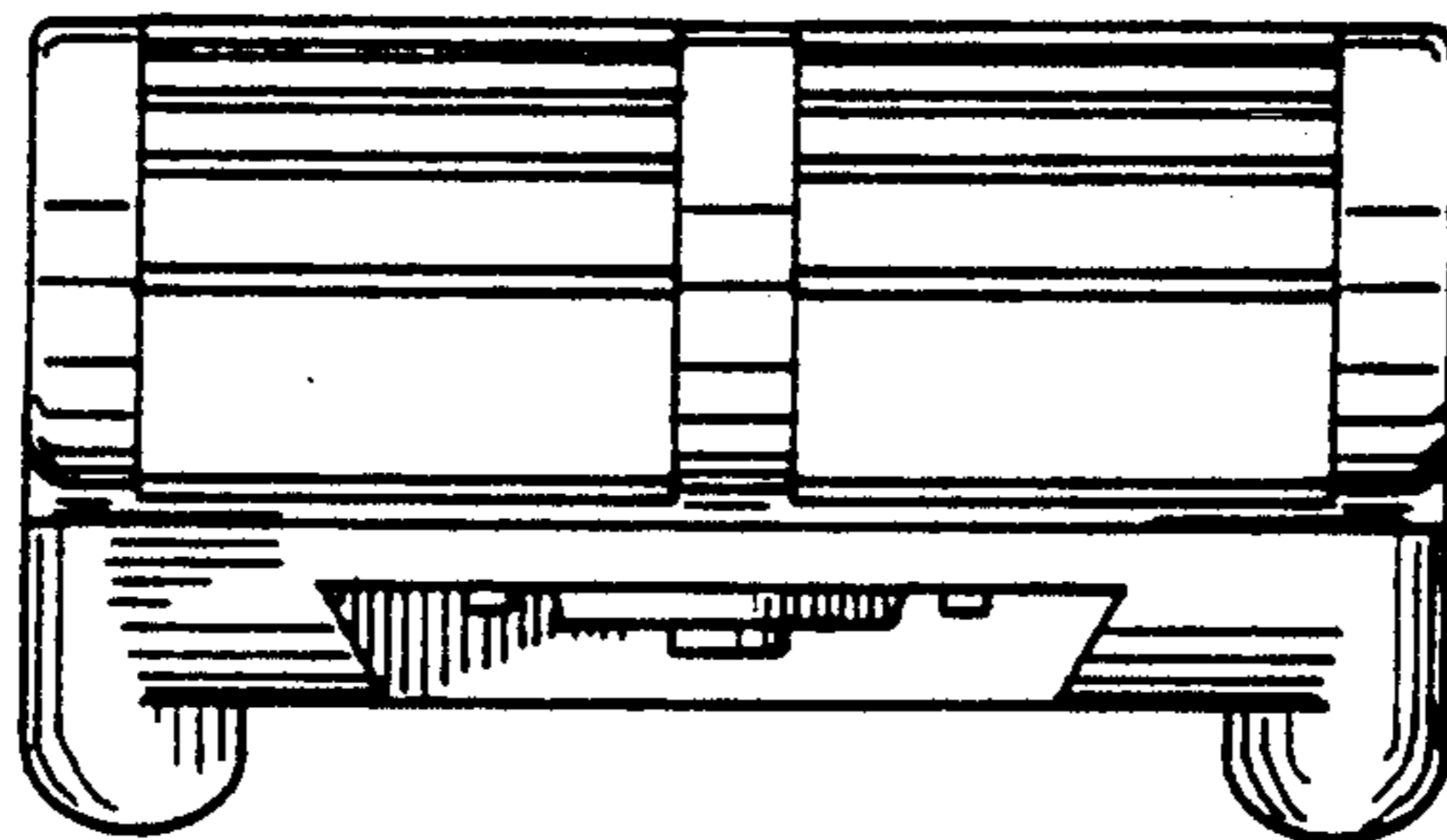


FIG. 5.

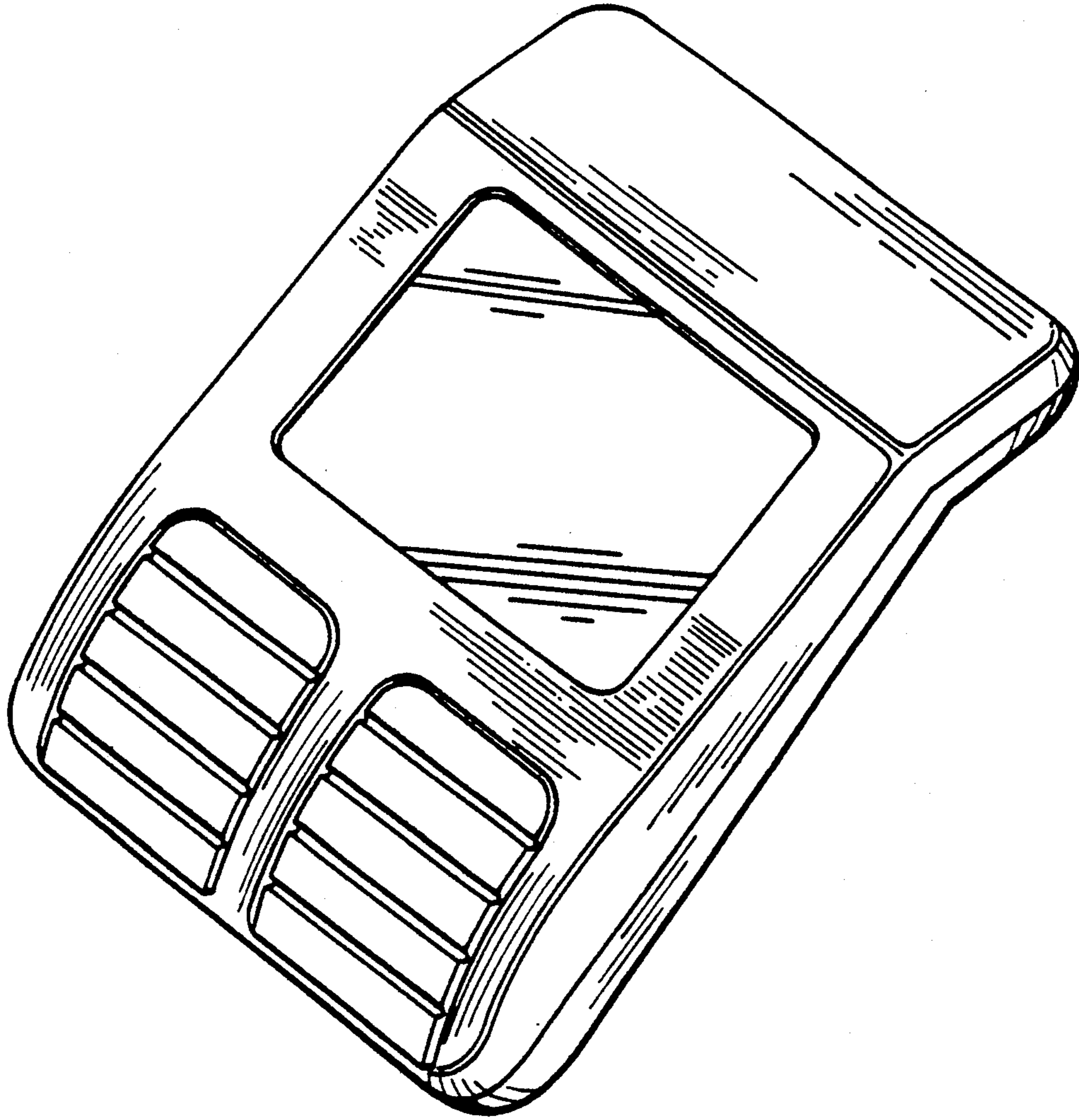


FIG. 6.