



US00D331538S

United States Patent [19]

[11] Patent Number: **Des. 331,538**

Fabre

[45] Date of Patent: **** Dec. 8, 1992**

[54] **HOLDER FOR A LIQUID CONTAINER**

D. 318,428 7/1991 Kowk D9/455
4,848,580 7/1989 Wise 206/519

[76] Inventor: **Richard Fabre**, 60, rue Berlioz Apt.
1207, Ile-des-Soeurs (Québec),
Canada, H3E 1M4

OTHER PUBLICATIONS

Lewisystem CAT, Jan. 1988, p. 24, top left of the page.

[**] Term: **14 Years**

Primary Examiner—Bernard Ansher
Assistant Examiner—Prabhakar Deshmukh
Attorney, Agent, or Firm—Gaétan Prince

[21] Appl. No.: **589,882**

[22] Filed: **Sep. 24, 1990**

[52] U.S. Cl. **D9/455**

[57] CLAIM

[58] Field of Search D30/129, 130; D9/424,
D9/425, 455; D34/40-46; 206/515, 519, 518,
557, 563, 319, 335; 220/574, 405; D12/157;
D3/40; 221/282, 186

The ornamental design for a holder for a liquid container, as shown and described.

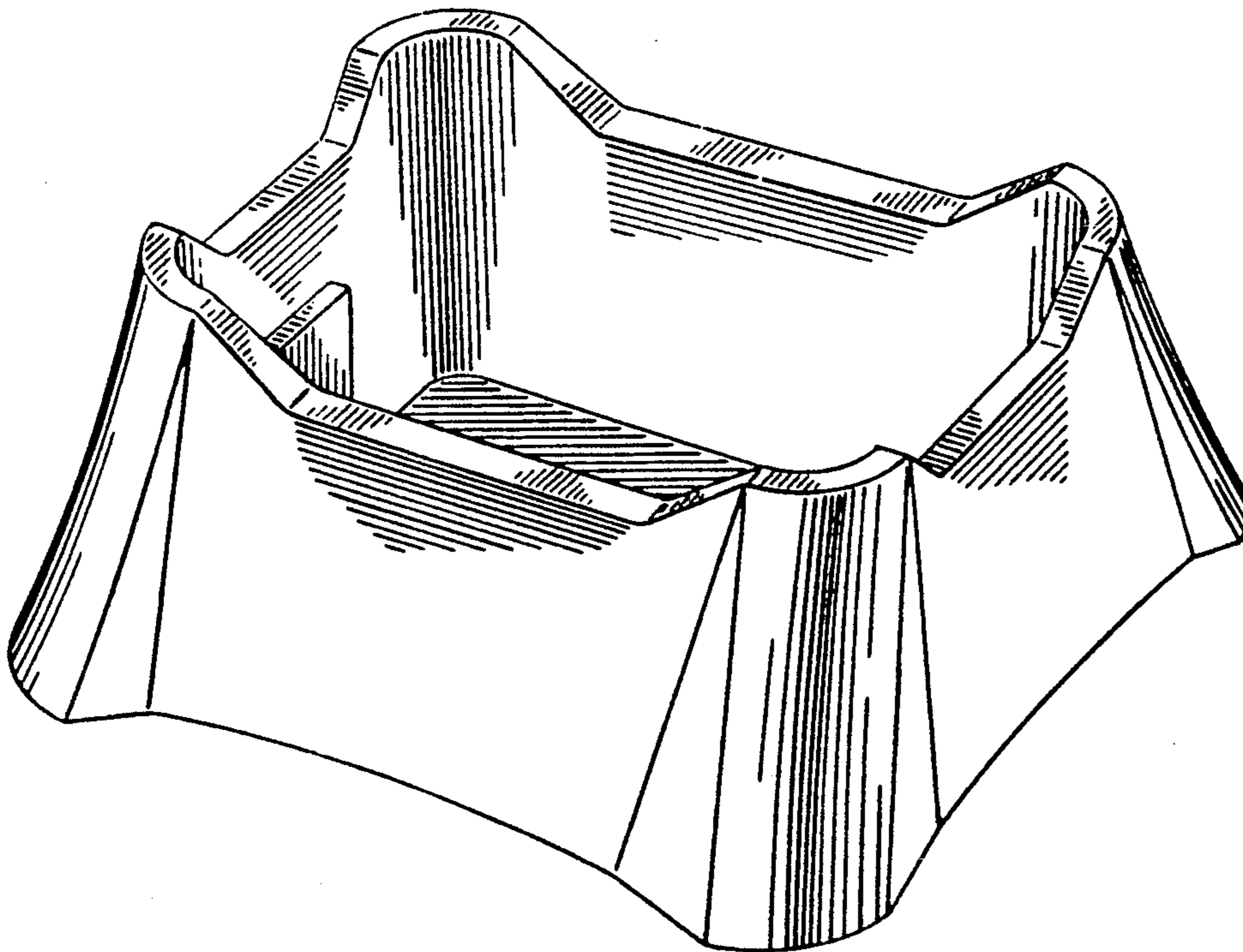
DESCRIPTION

[56] References Cited

U.S. PATENT DOCUMENTS

D. 103,562 3/1937 Cook D9/455
D. 117,714 11/1939 Guttman D9/455
D. 232,564 8/1974 Kissin D30/129
D. 251,586 4/1979 Levenhagen D9/425
D. 299,768 2/1989 Windom D30/129

FIG. 1 is a perspective view of a holder for a liquid container showing my new design;
FIG. 2 is a top plan view thereof;
FIG. 3 is a front elevational view thereof; the rear elevational view being a mirror image thereof;
FIG. 4 is a left side elevational view thereof; the right side elevational view being a mirror image thereof; and,
FIG. 5 is a bottom plan view thereof.



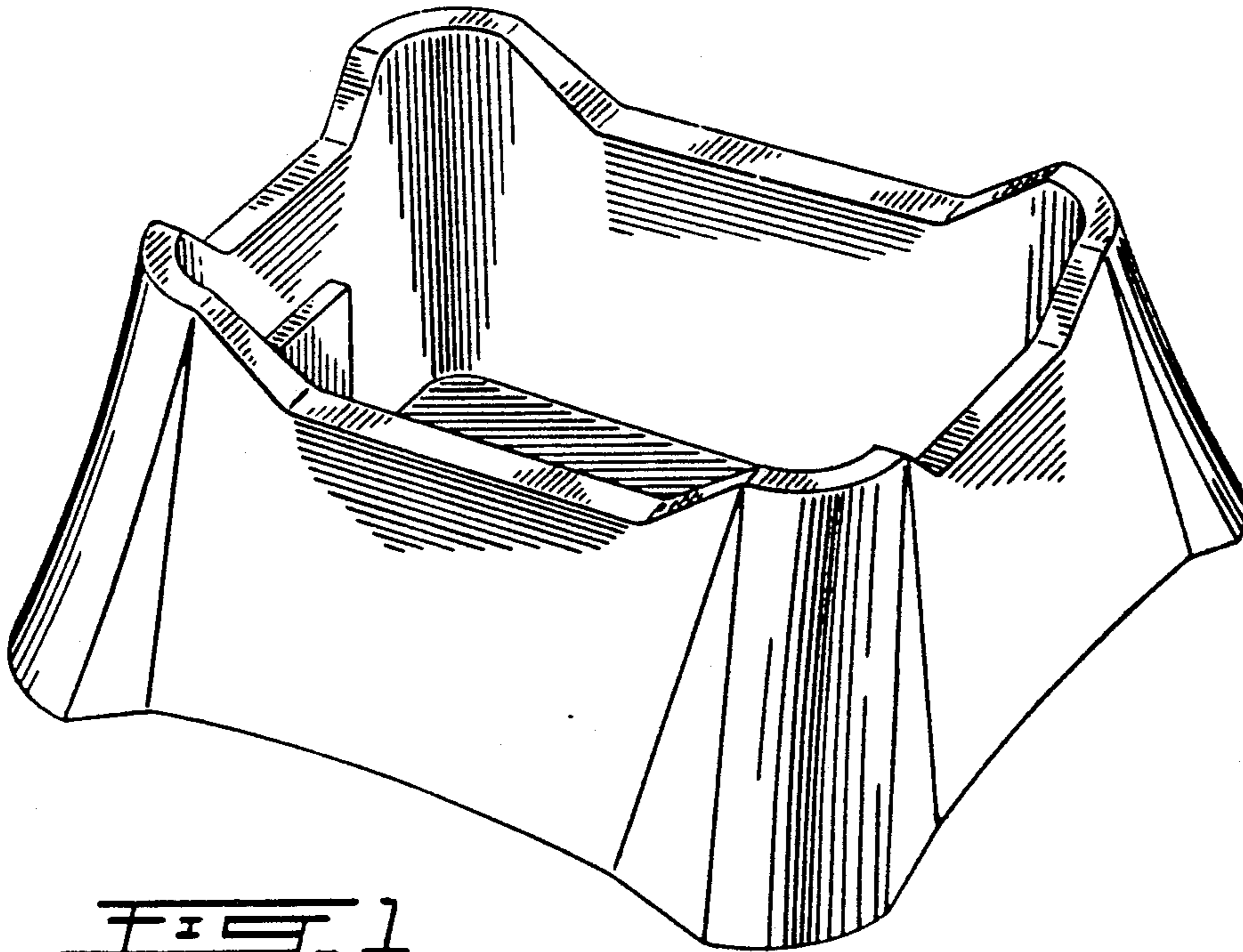


FIG. 1

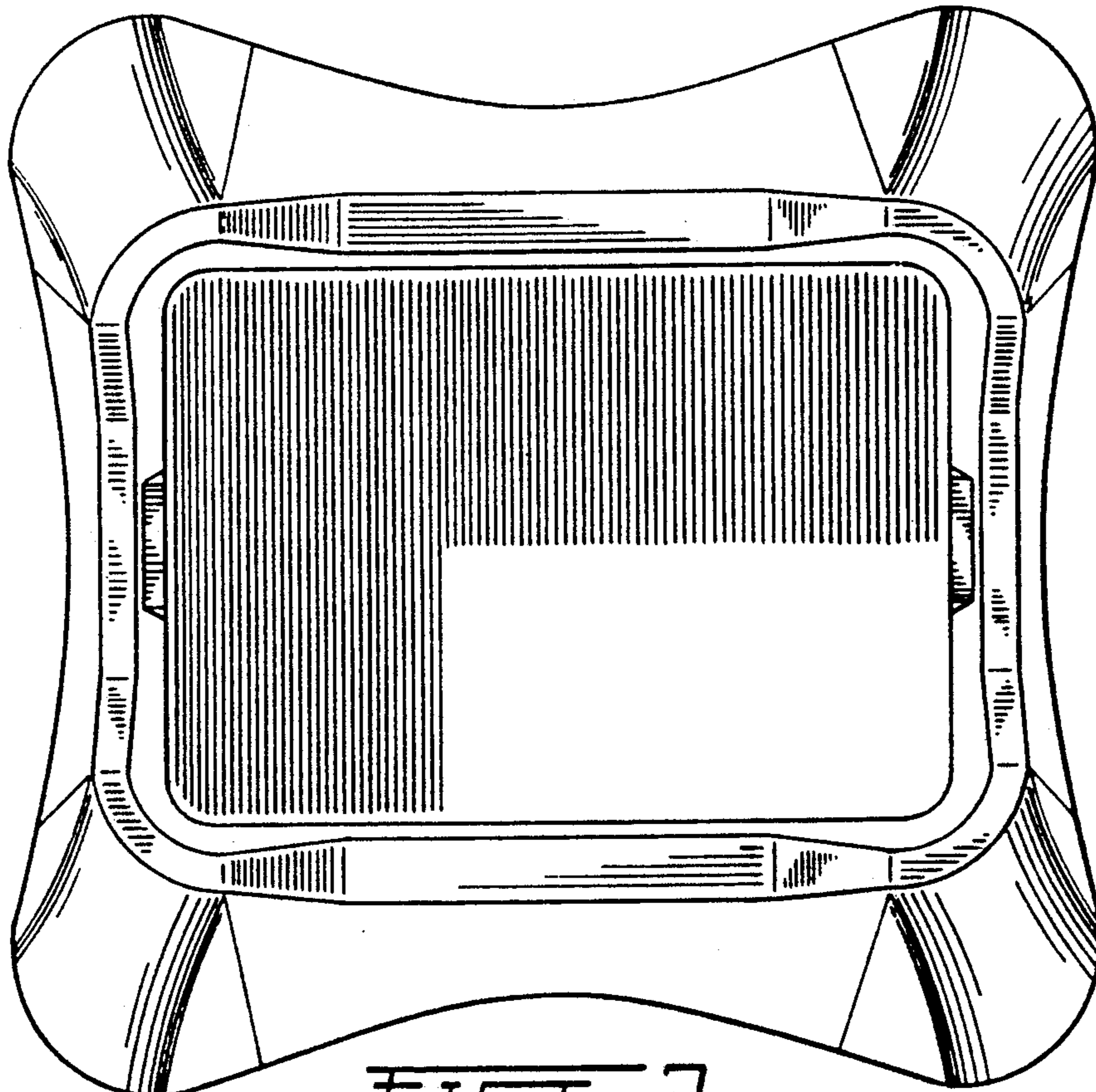


FIG. 2

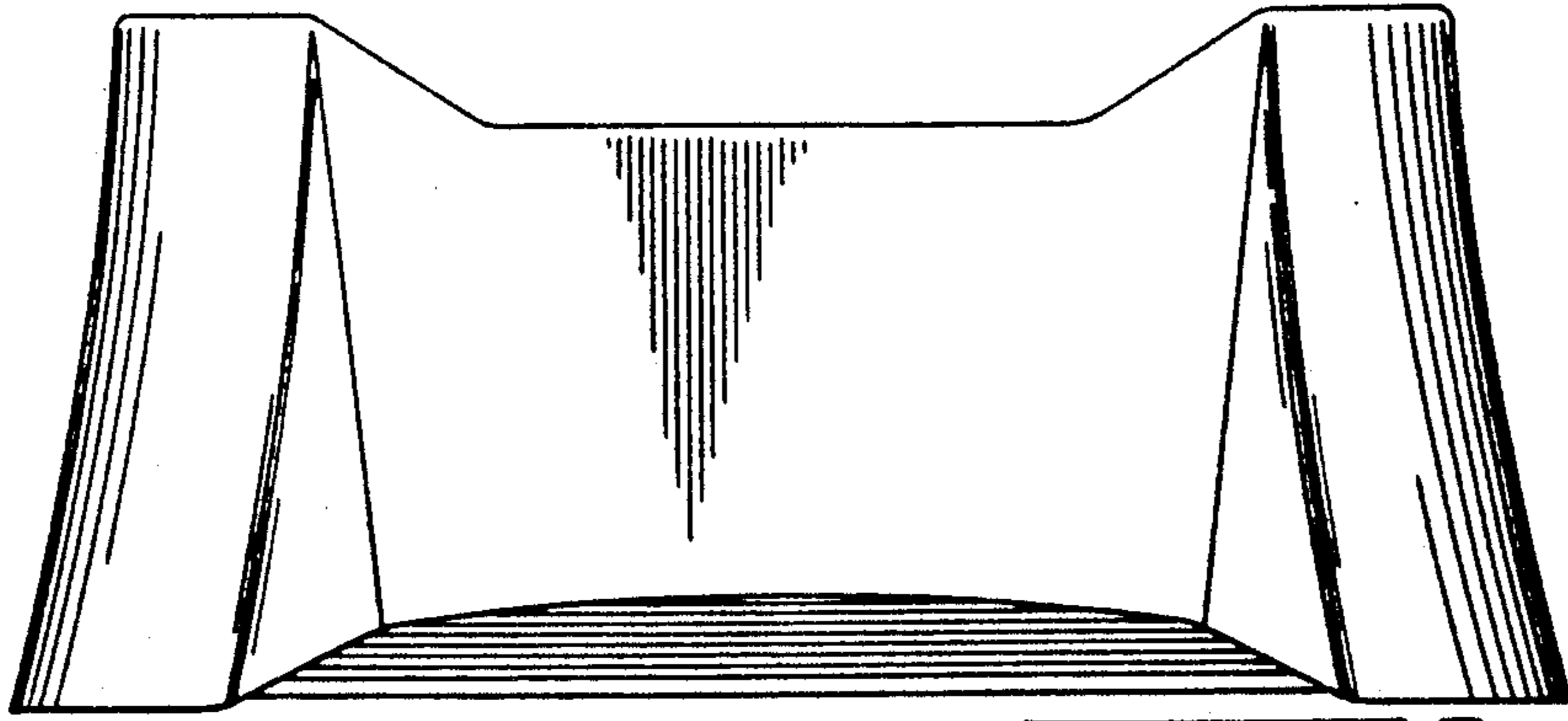


FIG. 3

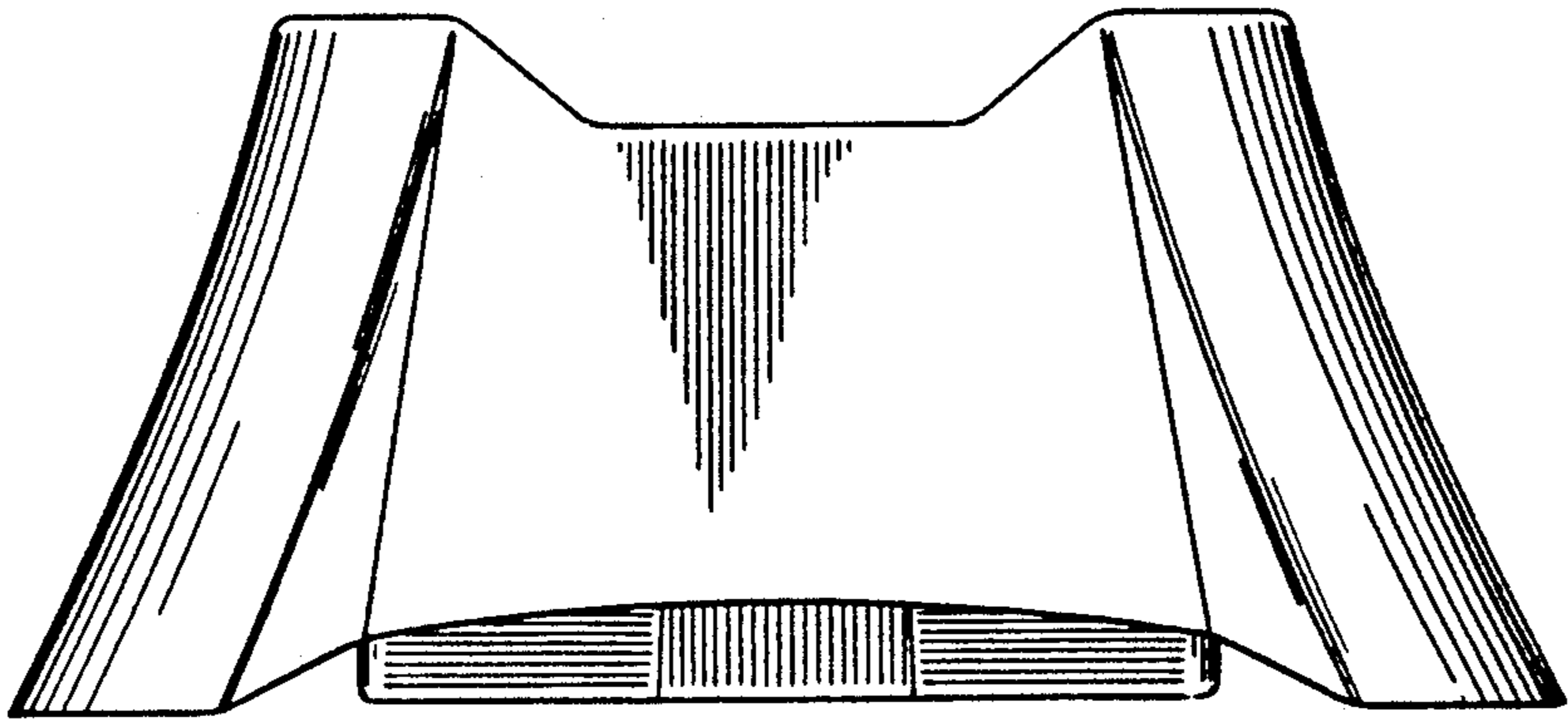


FIG. 4

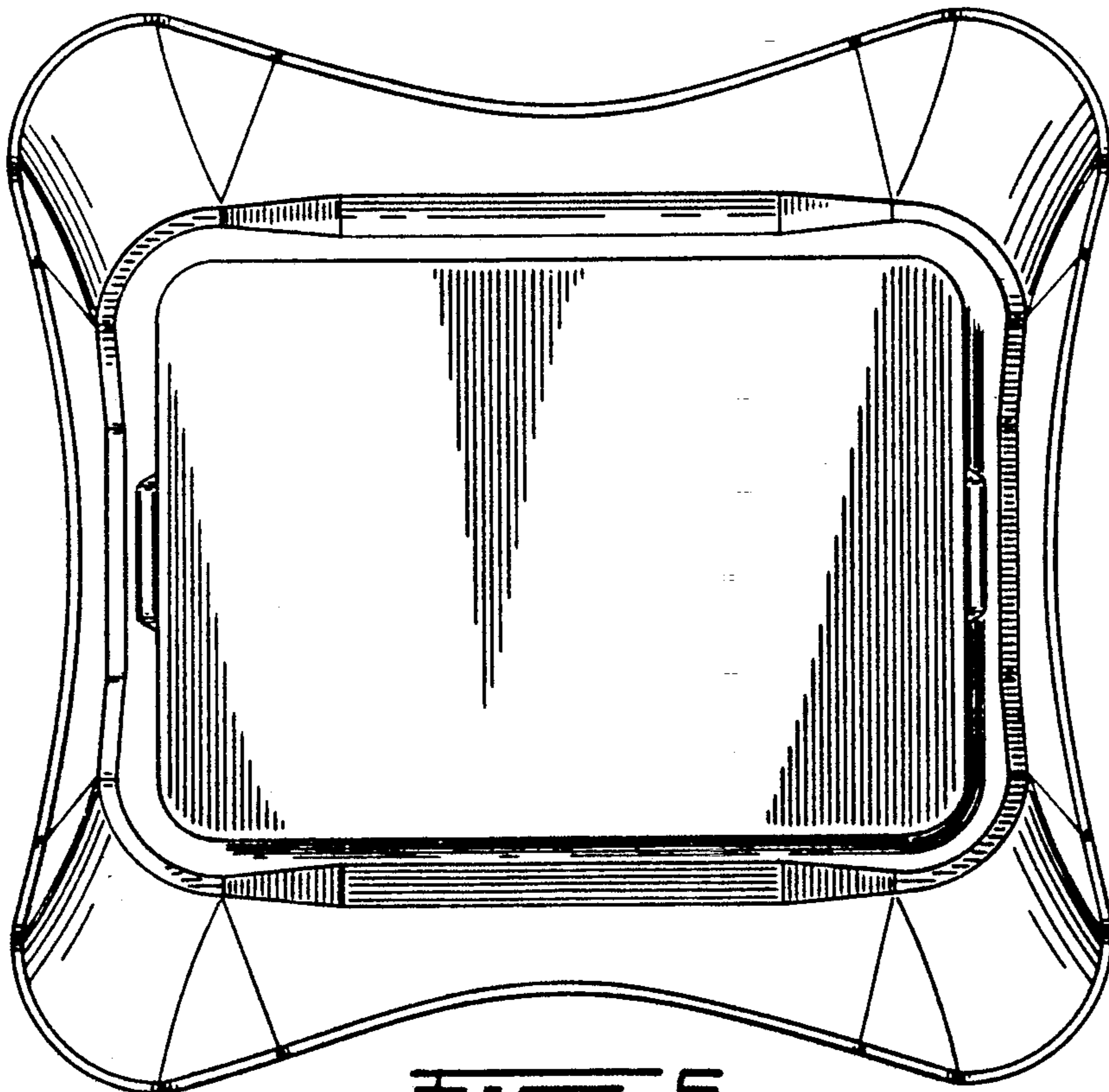


FIG. 5