



US00D331533S

# United States Patent [19]

Hashimoto

[11] Patent Number: **Des. 331,533**

[45] Date of Patent: **\*\* Dec. 8, 1992**

[54] CONTAINER FOR A SOFT DRINK

[75] Inventor: **Kentaro Hashimoto, Tokyo, Japan**

[73] Assignee: **Tokyo Glass Seiki Kabushiki Kaisha, Tokyo, Japan**

[\*\*] Term: **14 Years**

[21] Appl. No.: **645,289**

[22] Filed: **Jan. 24, 1991**

[52] U.S. Cl. .... **D9/337**

[58] Field of Search ..... **D9/337, 525, 418; 215/1 A, 1 C; 222/167, 572, 212, 102, 103.1**

4,759,475 7/1988 Munthe ..... 222/464  
 5,076,452 12/1991 Hashimoto ..... 215/1 A  
 5,078,286 1/1992 Hashimoto ..... 215/1 A

### FOREIGN PATENT DOCUMENTS

3023751 1/1982 Fed. Rep. of Germany ..... 215/229  
 1435985 3/1966 France ..... 215/32  
 657432 11/1963 Italy ..... 215/32  
 1161745 8/1969 United Kingdom ..... 215/32

*Primary Examiner*—Bernard Ansher  
*Assistant Examiner*—Mitchell Siegel  
*Attorney, Agent, or Firm*—Oblon, Spivak, McClelland, Maier & Neustadt

### [56] References Cited

#### U.S. PATENT DOCUMENTS

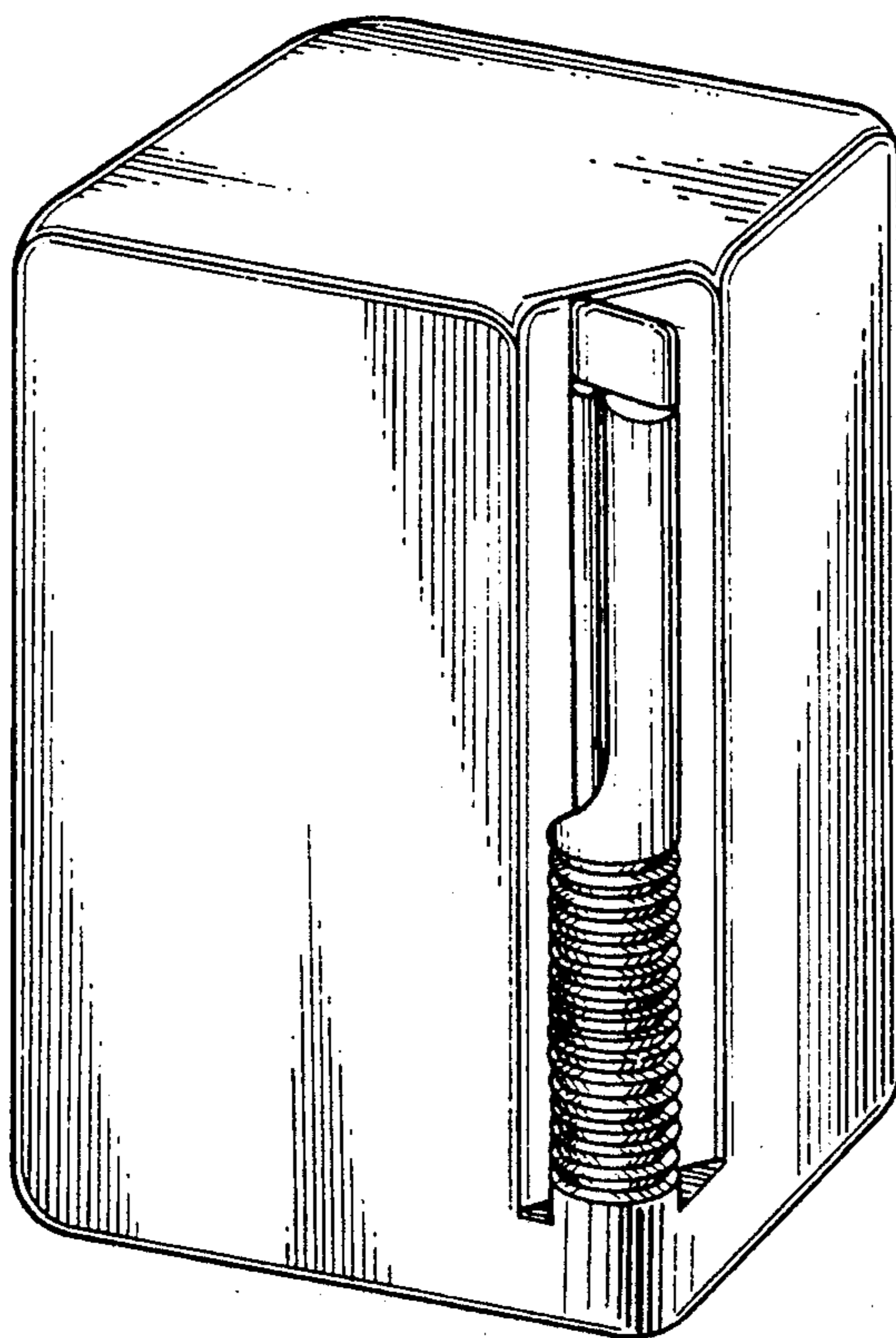
D. 279,722 7/1985 Haruguchi et al. .... D28/50  
 3,128,016 4/1964 Ferri, Jr. .... 222/167 X  
 3,155,281 11/1964 Stracey ..... 222/167  
 3,182,861 5/1965 Naiae ..... 222/212  
 3,187,966 6/1965 Klygts ..... 222/212 X  
 3,347,401 10/1967 Nataf ..... 229/103.1 X  
 3,349,987 10/1967 Weitzner ..... 229/103.1  
 3,462,061 9/1969 Shore ..... 229/103.1  
 3,774,804 11/1973 Henning ..... 229/103.1  
 3,949,871 4/1976 Chaisielsen et al. .... 222/112 X  
 4,572,412 2/1986 Brach et al. .... 222/572 X

### [57] CLAIM

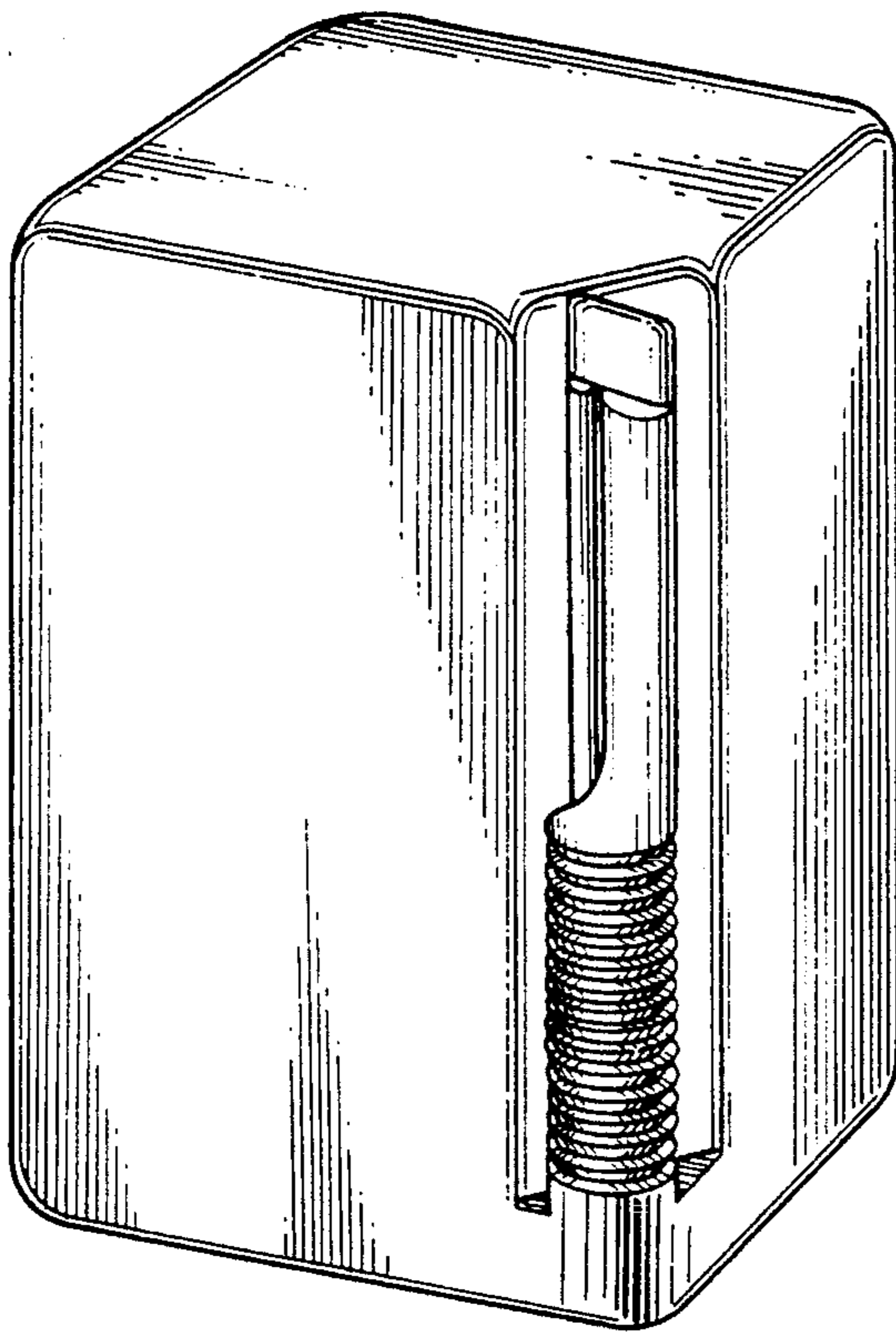
The ornamental design for a container for a soft drink, as shown.

### DESCRIPTION

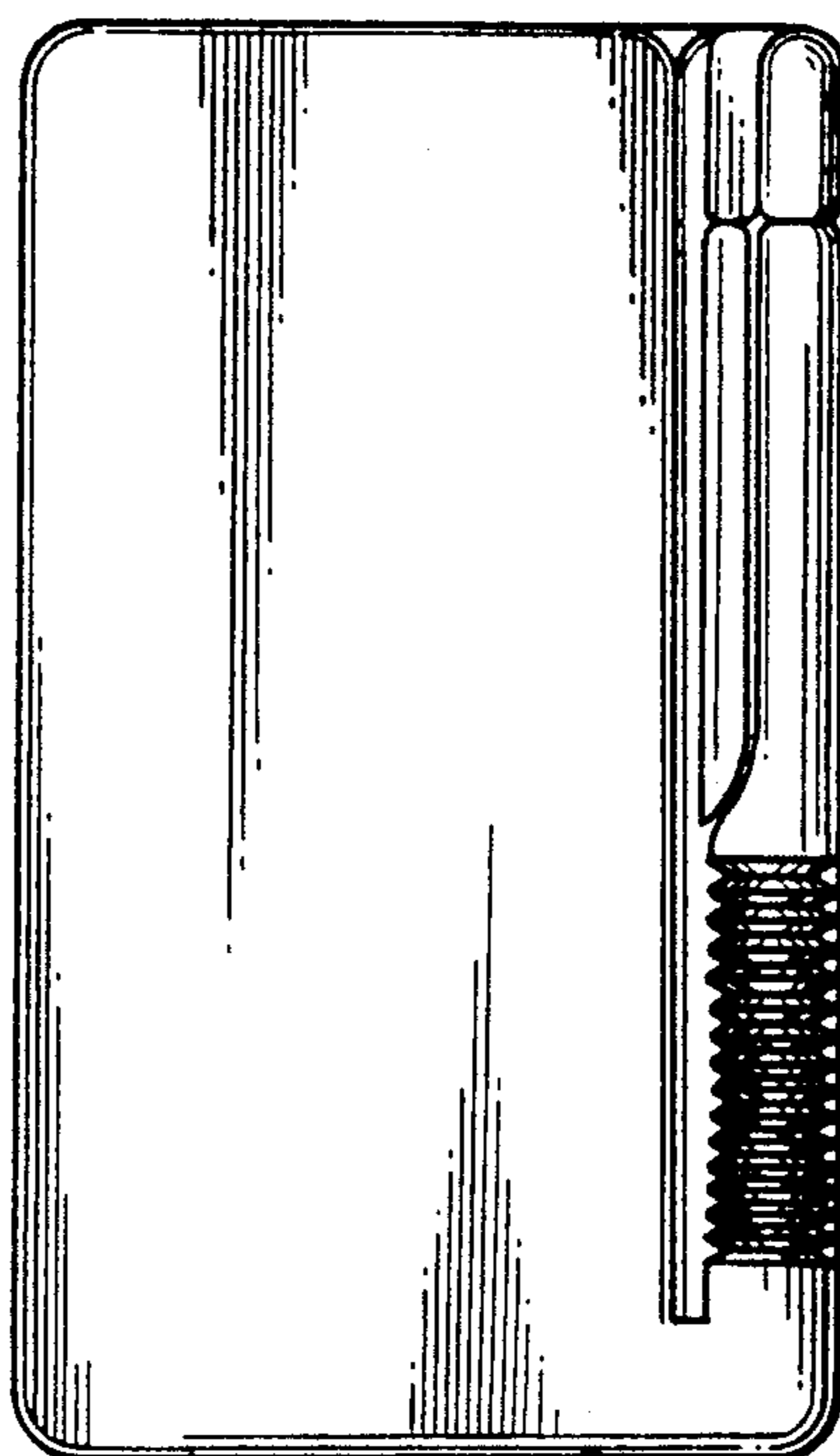
FIG. 1 is a top, front, right perspective view of a container for a soft drink, showing my new design;  
 FIG. 2 is a front elevational view thereof;  
 FIG. 3 is a rear elevational view thereof;  
 FIG. 4 is a right side elevational view thereof;  
 FIG. 5 is a left side elevational view thereof;  
 FIG. 6 is a top plan view thereof; and,  
 FIG. 7 is a bottom plan view thereof.



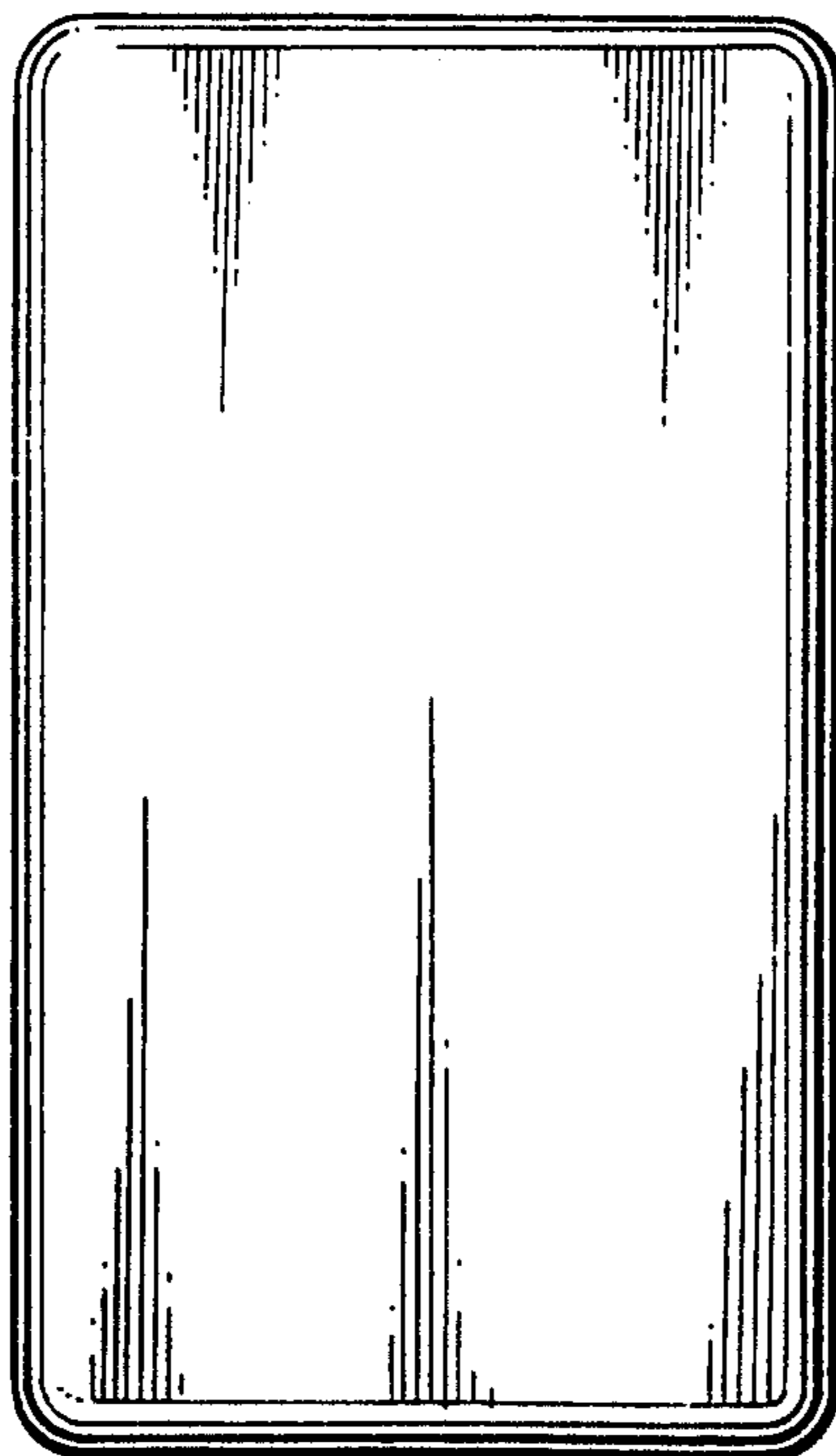
**FIG. 1**



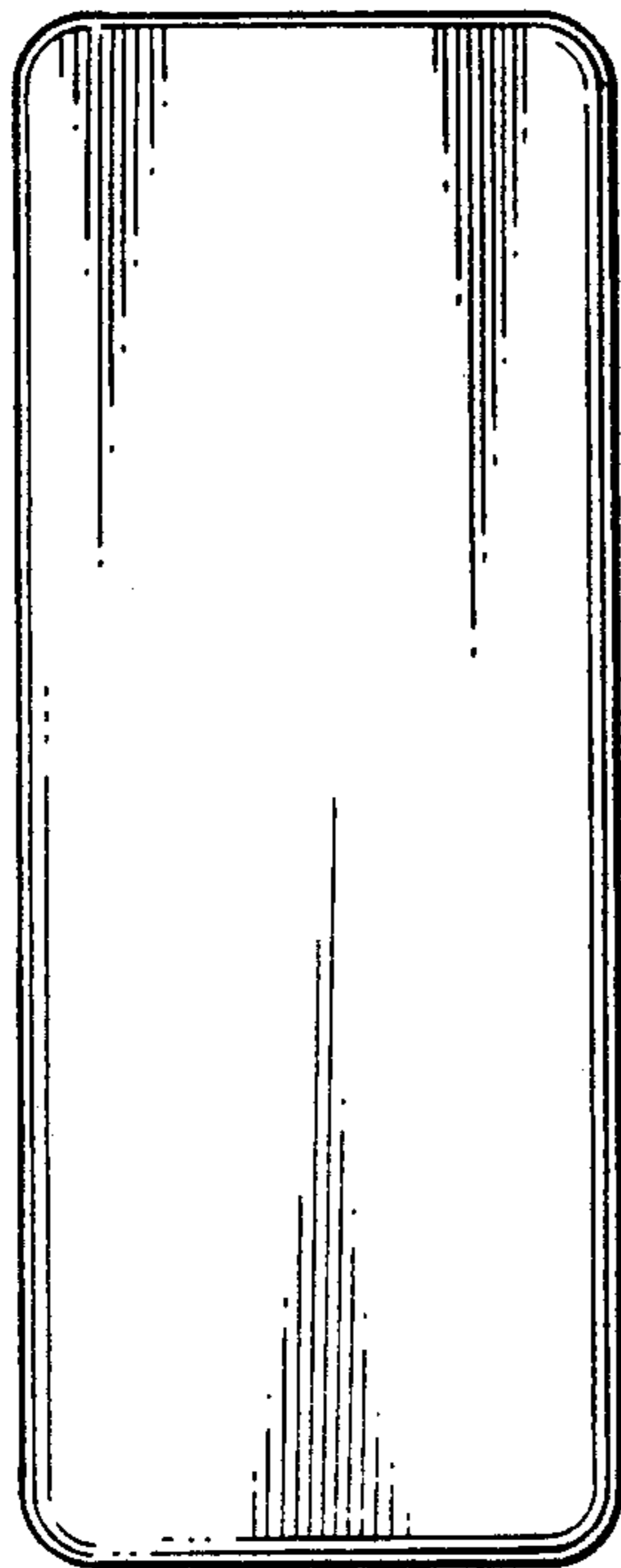
**FIG. 2**



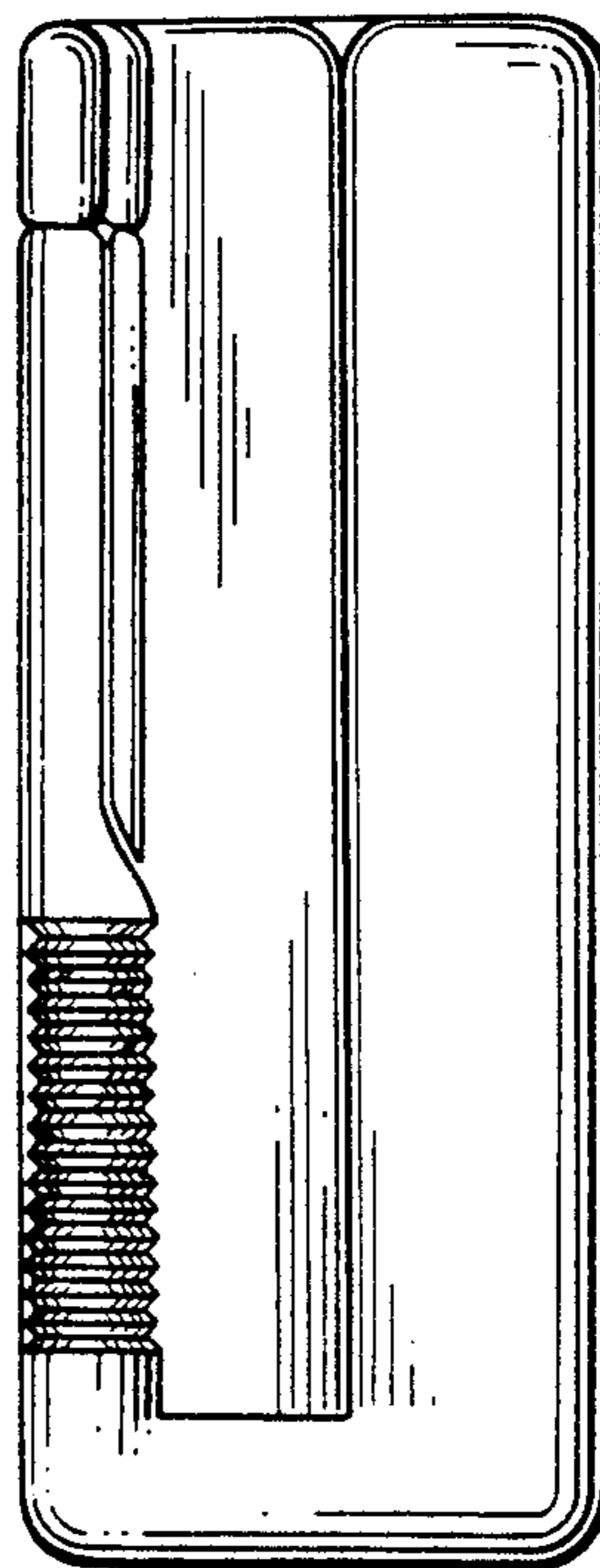
**FIG. 3**



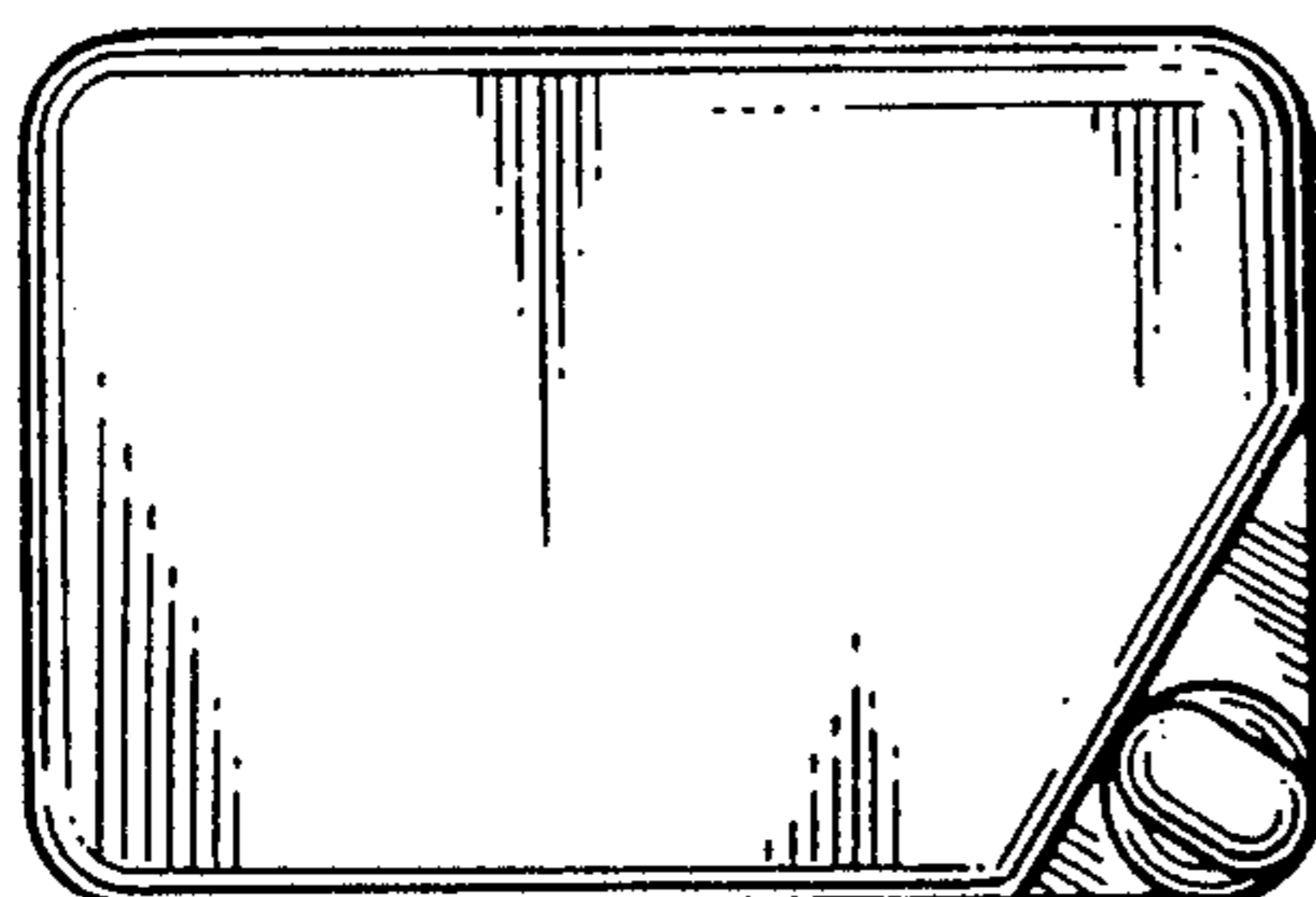
**FIG. 5**



**FIG. 4**



**FIG. 6**



**FIG. 7**

