



US00D331531S

United States Patent [19]

Guhl et al.

[11] Patent Number: **Des. 331,531**

[45] Date of Patent: **** Dec. 8, 1992**

[54] **CRANK HANDLE**

[75] Inventors: **James C. Guhl, Hudson, Wis.;**
Hartmut Ginnow-Merkert, Orono;
David J. Weiss, Stillwater, both of
Minn.

[73] Assignee: **Andersen Corporation, Bayport,**
Minn.

[**] Term: **14 Years**

[21] Appl. No.: **621,548**

[22] Filed: **Dec. 3, 1990**

[52] U.S. Cl. **D8/309; D8/400**

[58] Field of Search **D8/300, 309, 400;**
49/460; 16/110 R, 121; 292/347; 44/545

[56] **References Cited**

U.S. PATENT DOCUMENTS

- D. 161,022 11/1950 Haviland D8/310
- D. 189,473 12/1960 Bertsch D8/309

2,290,815	7/1942	Ruppel	74/545
2,978,927	4/1961	Blanton	16/121
3,114,542	12/1963	Ahlgren	D8/400
4,083,264	4/1978	Van Klompenburg	16/121
4,220,054	9/1980	Kuhlman	74/545

Primary Examiner—**B. J. Bullock**
Attorney, Agent, or Firm—**Merchant, Gould, Smith,**
Edell, Welter & Schmidt

[57] CLAIM

The ornamental design for a crank handle, as shown and described.

DESCRIPTION

FIG. 1 is a perspective view of a crank handle showing my new design;
FIG. 2 is an enlarged rear elevational view thereof;
FIG. 3 is an enlarged front elevational view thereof;
FIG. 4 is an enlarged left side elevational view thereof, the right side being a mirror image;
FIG. 5 is an enlarged top plan view thereof; and,
FIG. 6 is an enlarged bottom plan view thereof.

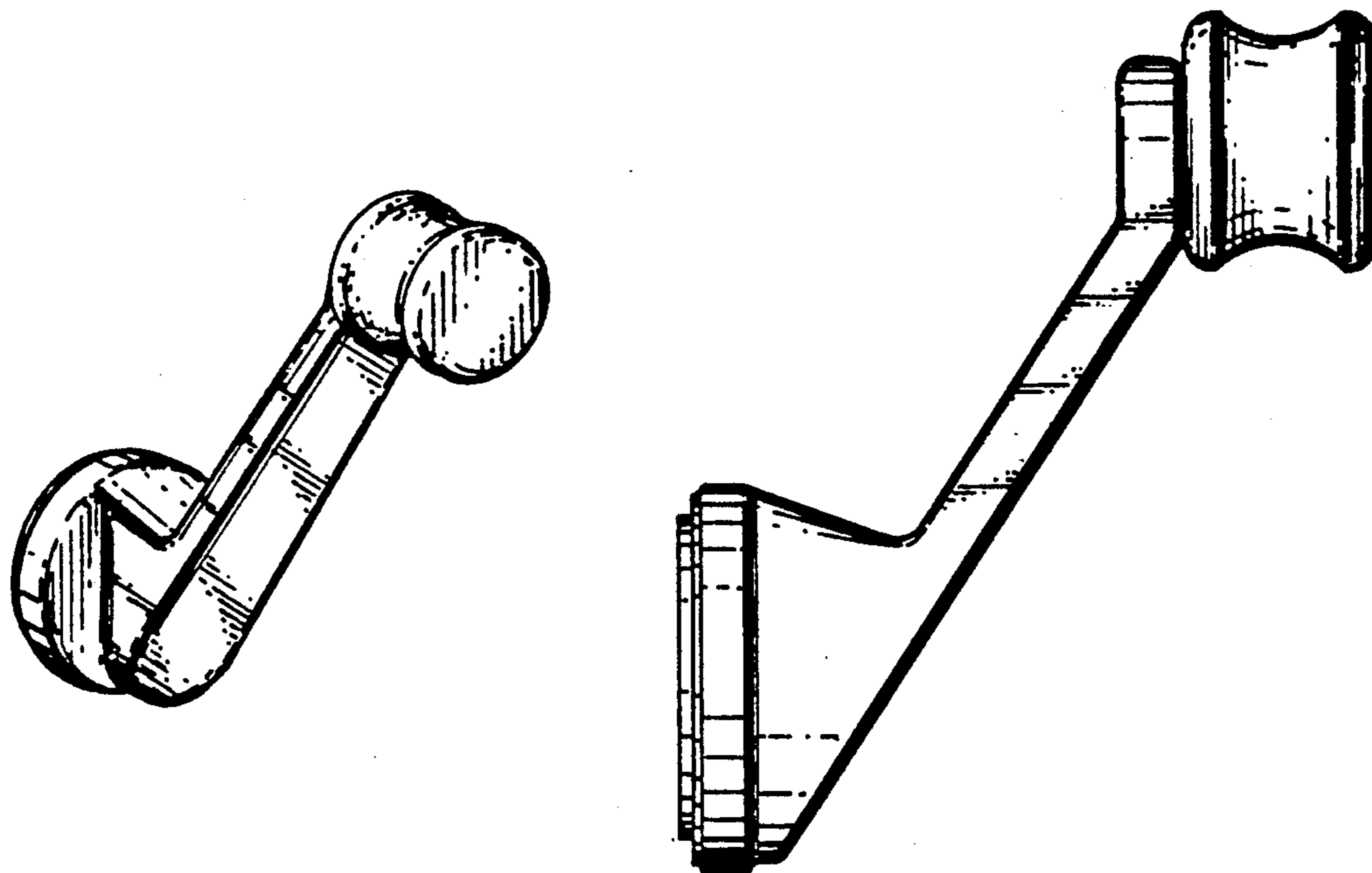


FIG. 1

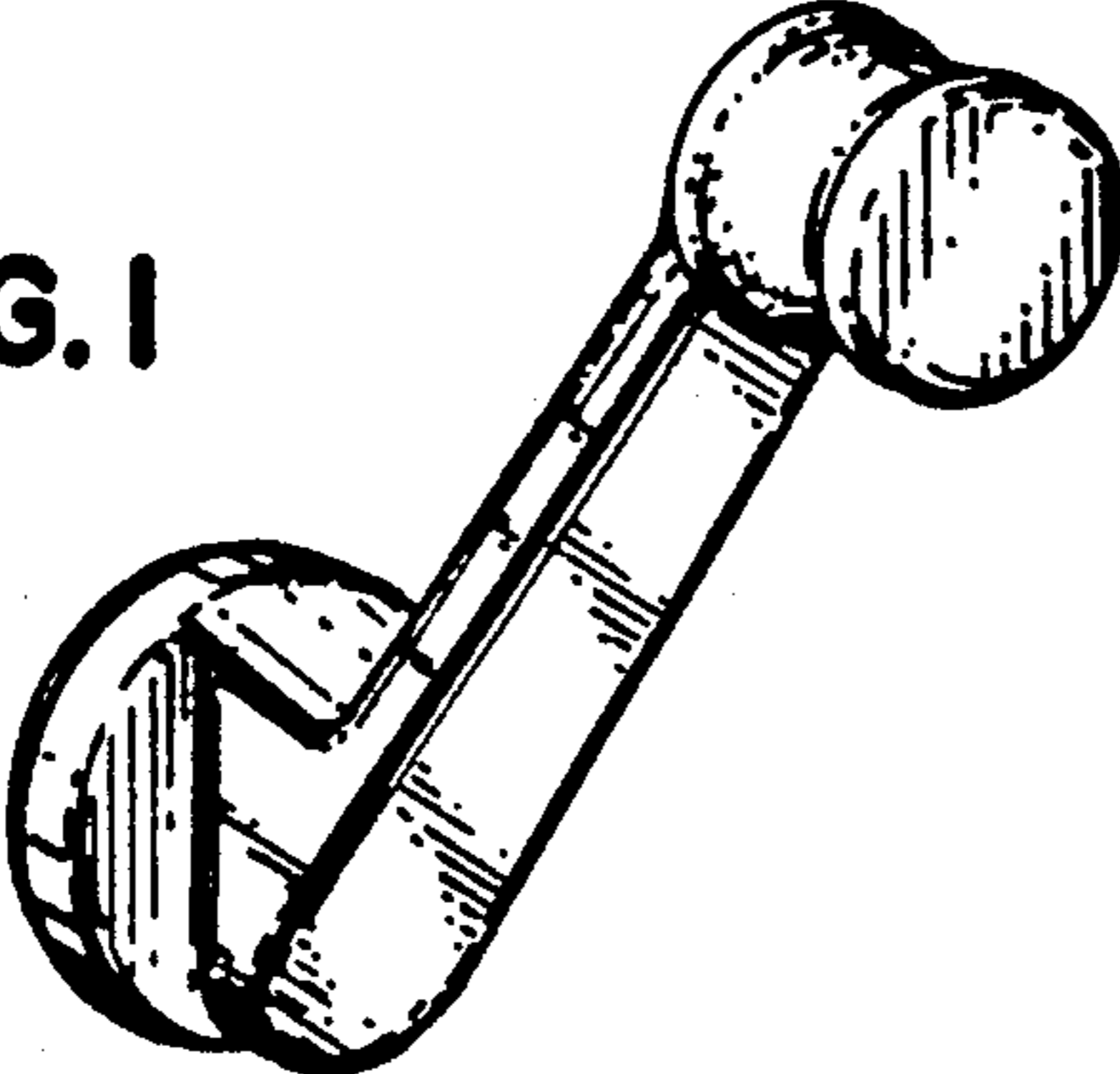


FIG. 2

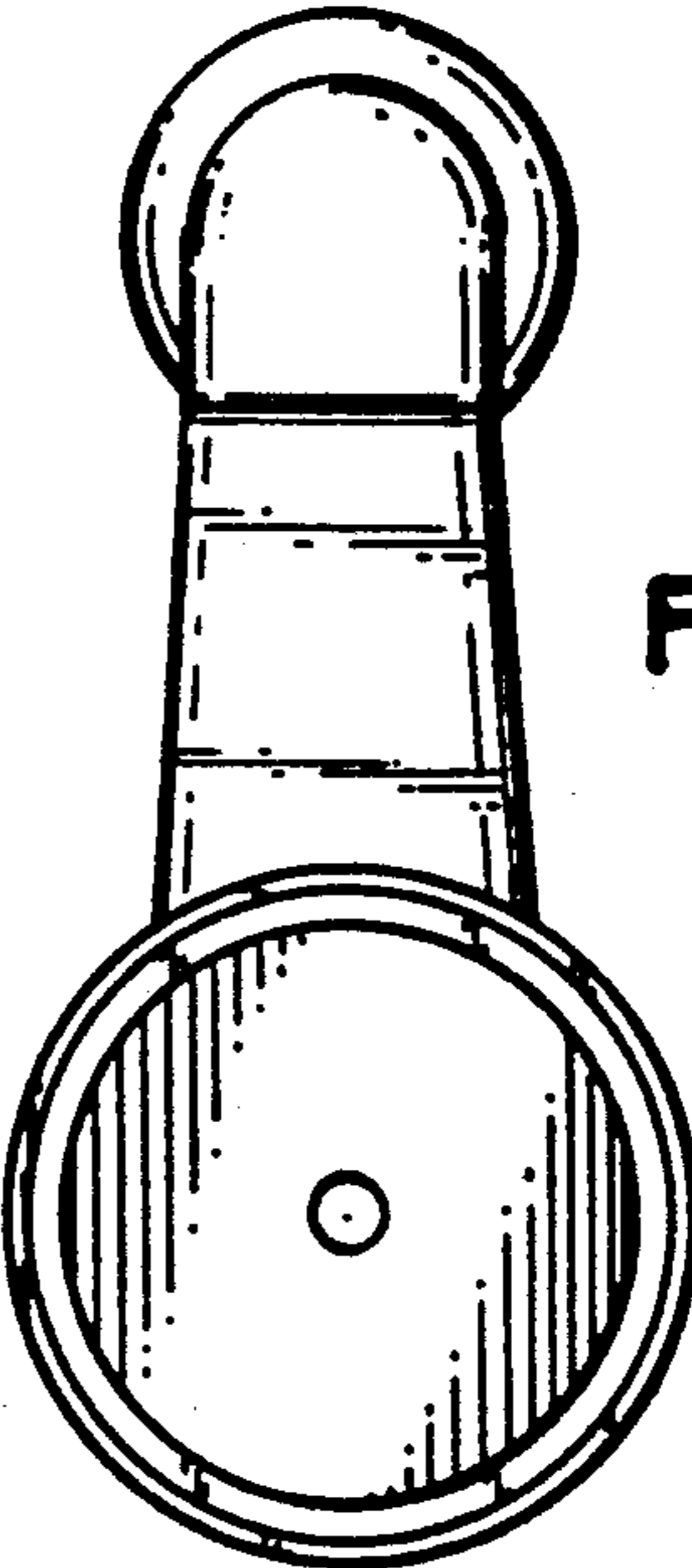


FIG. 4

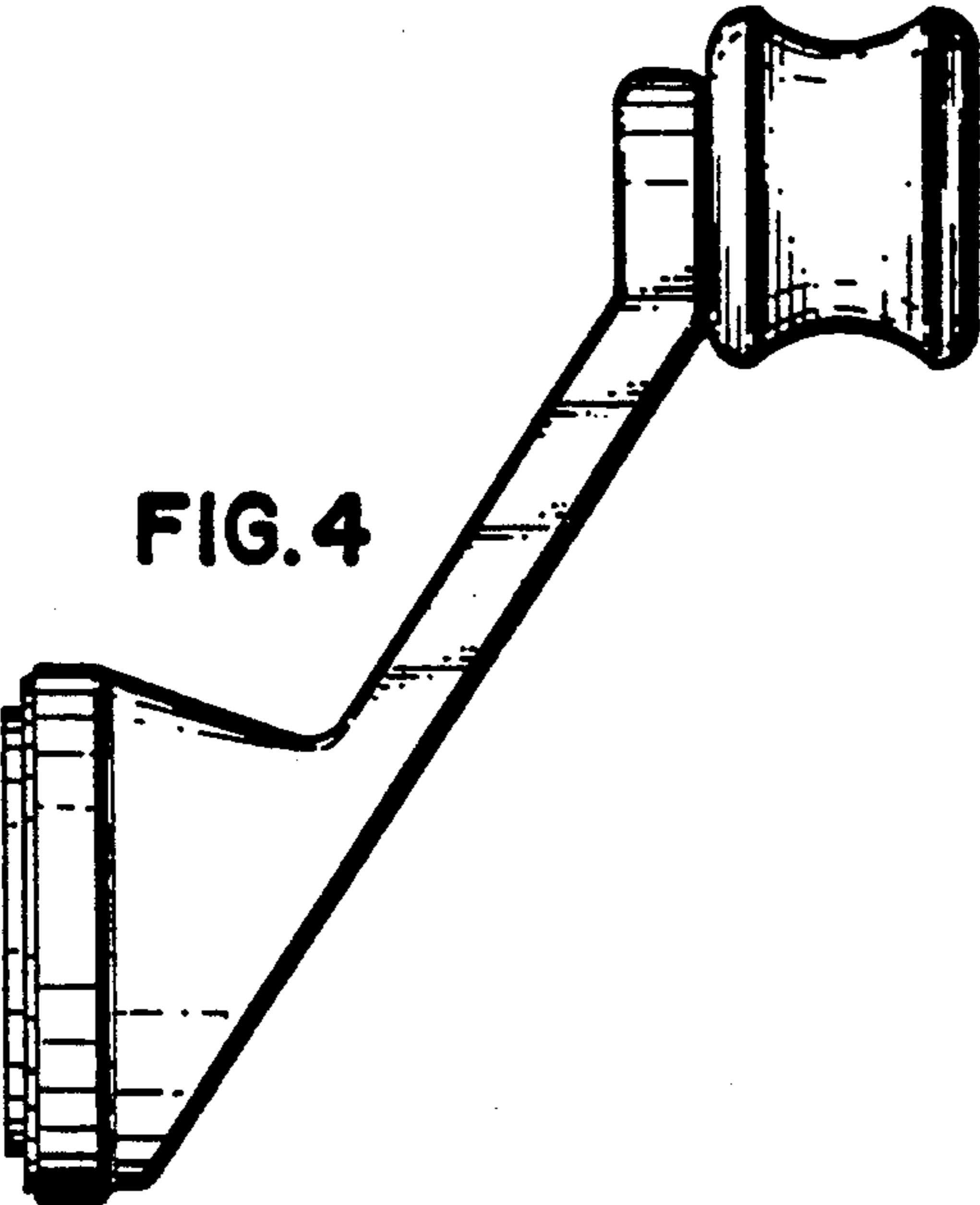


FIG. 3

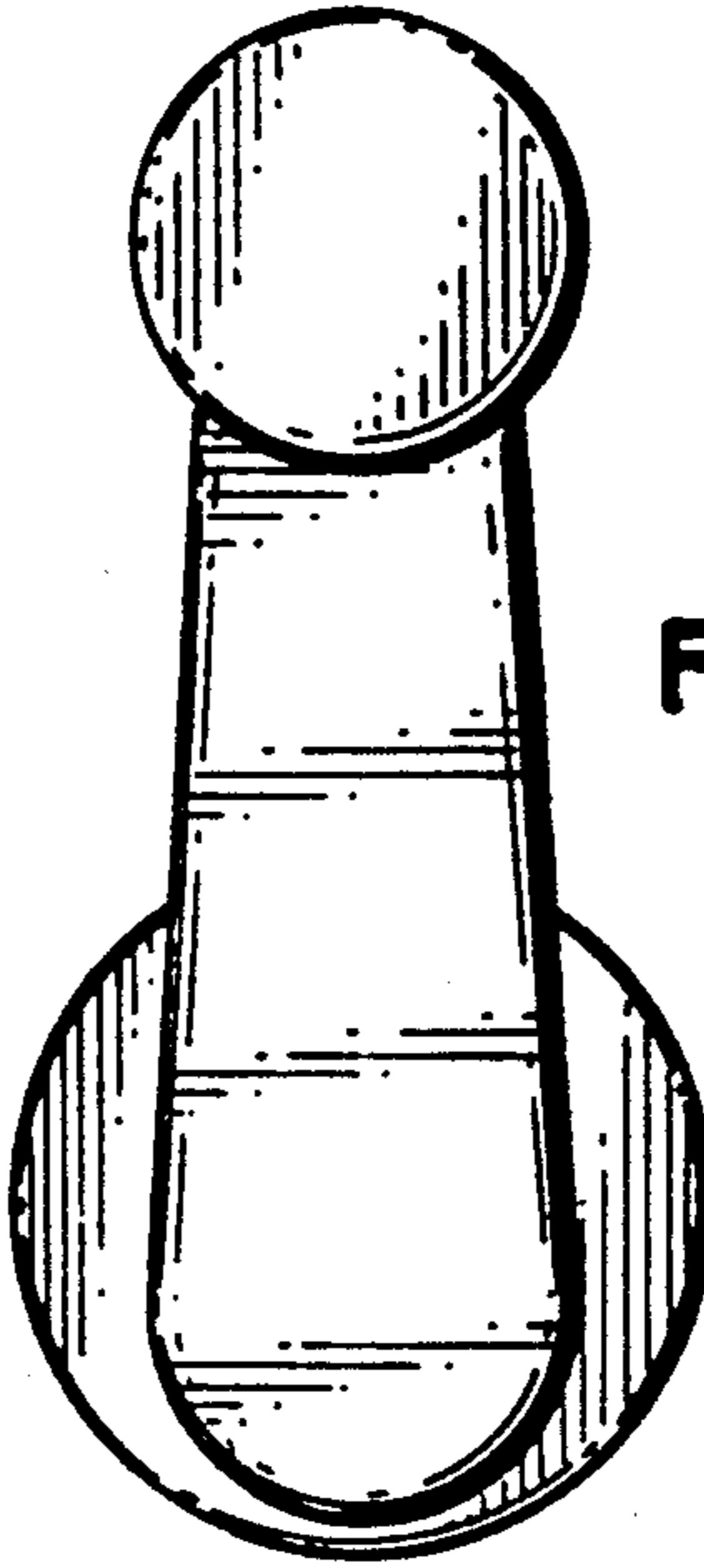


FIG. 5

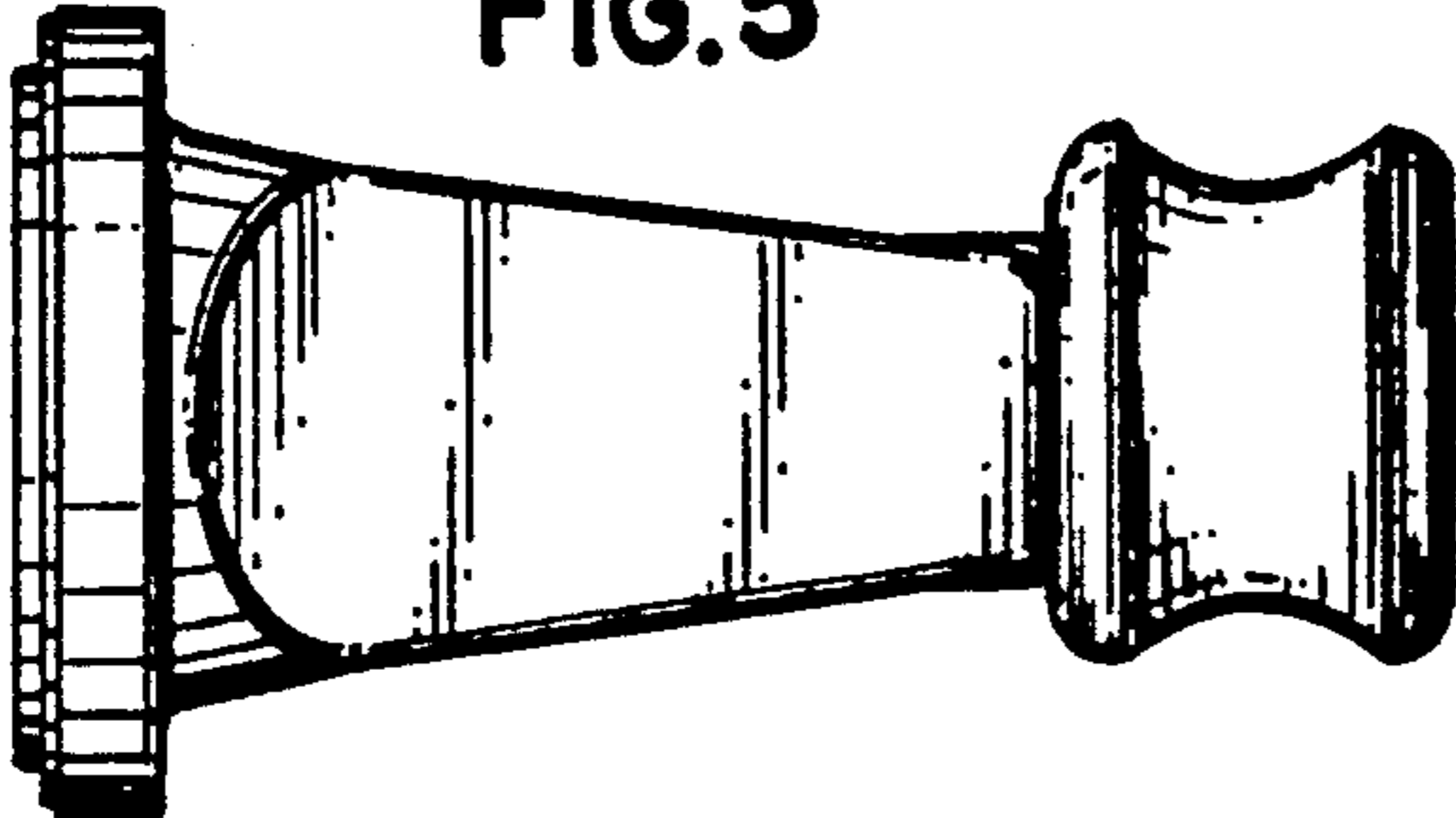


FIG. 6

