



US00D331530S

# United States Patent [19]

Metzner

[11] Patent Number: **Des. 331,530**

[45] Date of Patent: **\*\* Dec. 8, 1992**

[54] **RIBBON SHREDDER**

5,054,699 10/1991 DeJaynes ..... D8/98

[76] Inventor: **Mark J. Metzner**, 3 Lakewood Dr.,  
Glencoe, Ill. 60022

[\*\*] Term: **14 Years**

[21] Appl. No.: **627,220**

[22] Filed: **Dec. 13, 1990**

[52] U.S. Cl. .... **D8/98**

[58] Field of Search ..... **D8/14, 51, 98; 30/304,**  
**30/303, 279; 241/101.2, 168**

[56] **References Cited**

### U.S. PATENT DOCUMENTS

833,480	10/1906	Nutter .....	30/287
888,297	5/1908	Bell .....	30/363
2,653,844	9/1953	Detwiler .....	81/426
3,709,081	1/1973	Rush .....	81/411
3,883,953	5/1975	Saullo et al. ....	30/304
4,133,109	1/1979	Dow .....	30/304
4,870,756	10/1989	Burkhalter .....	30/304

### OTHER PUBLICATIONS

Photocopy of Reinke and Associates ribbon shredder.

*Primary Examiner*—Bernard Ansher

*Assistant Examiner*—Philip Hyder

*Attorney, Agent, or Firm*—Welsh & Katz, Ltd.

### [57] CLAIM

The ornamental design for a ribbon shredder, as shown and described.

### DESCRIPTION

FIG. 1 is front perspective view of a ribbon shredder showing my new design;

FIG. 2 is a side elevational view thereof, both side views appearing the same;

FIG. 3 is a top plan view thereof;

FIG. 4 is a front elevational view thereof, the rear view appearing the same; and,

FIG. 5 is a bottom plan view thereof.

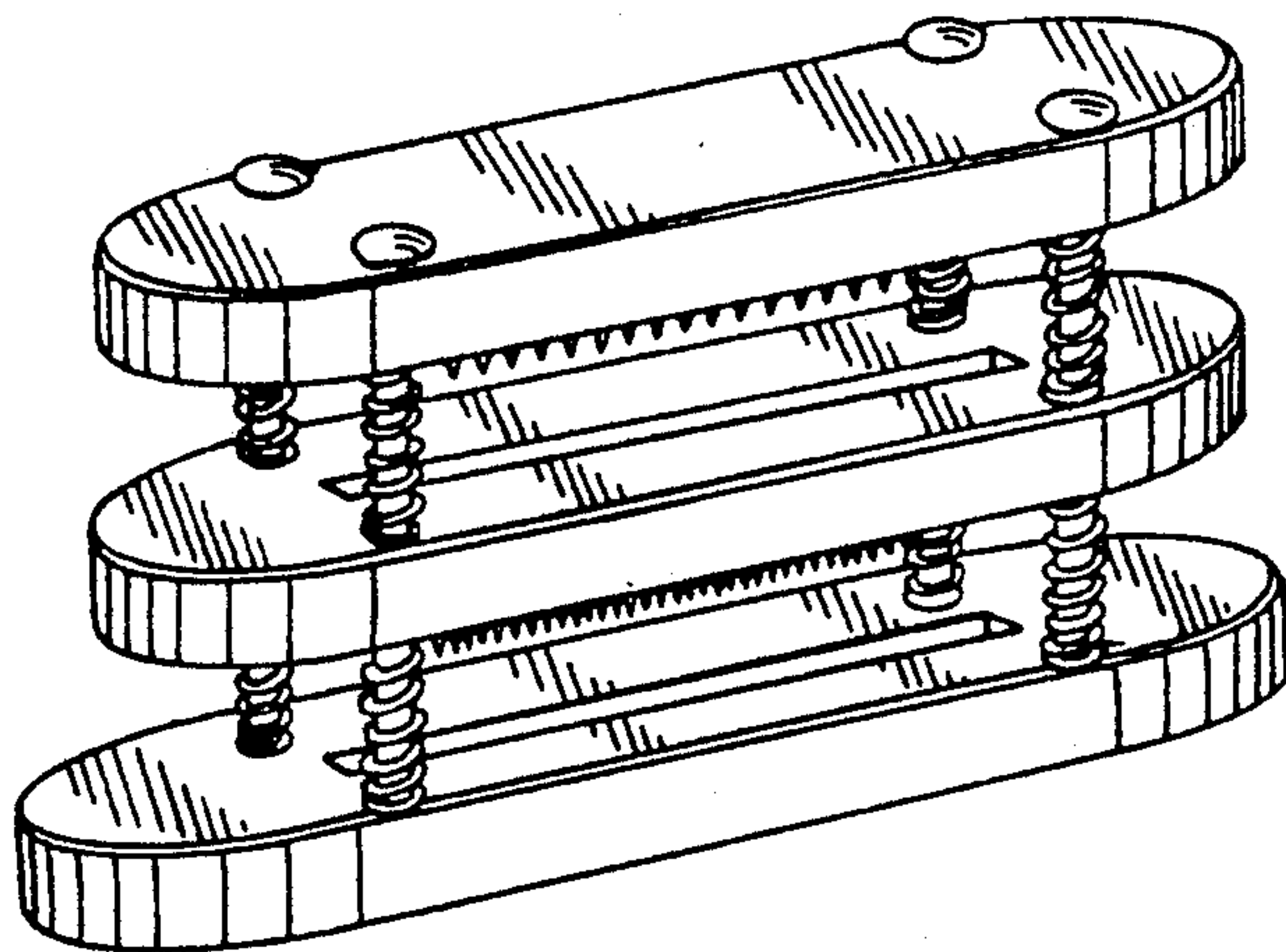


FIG. 1

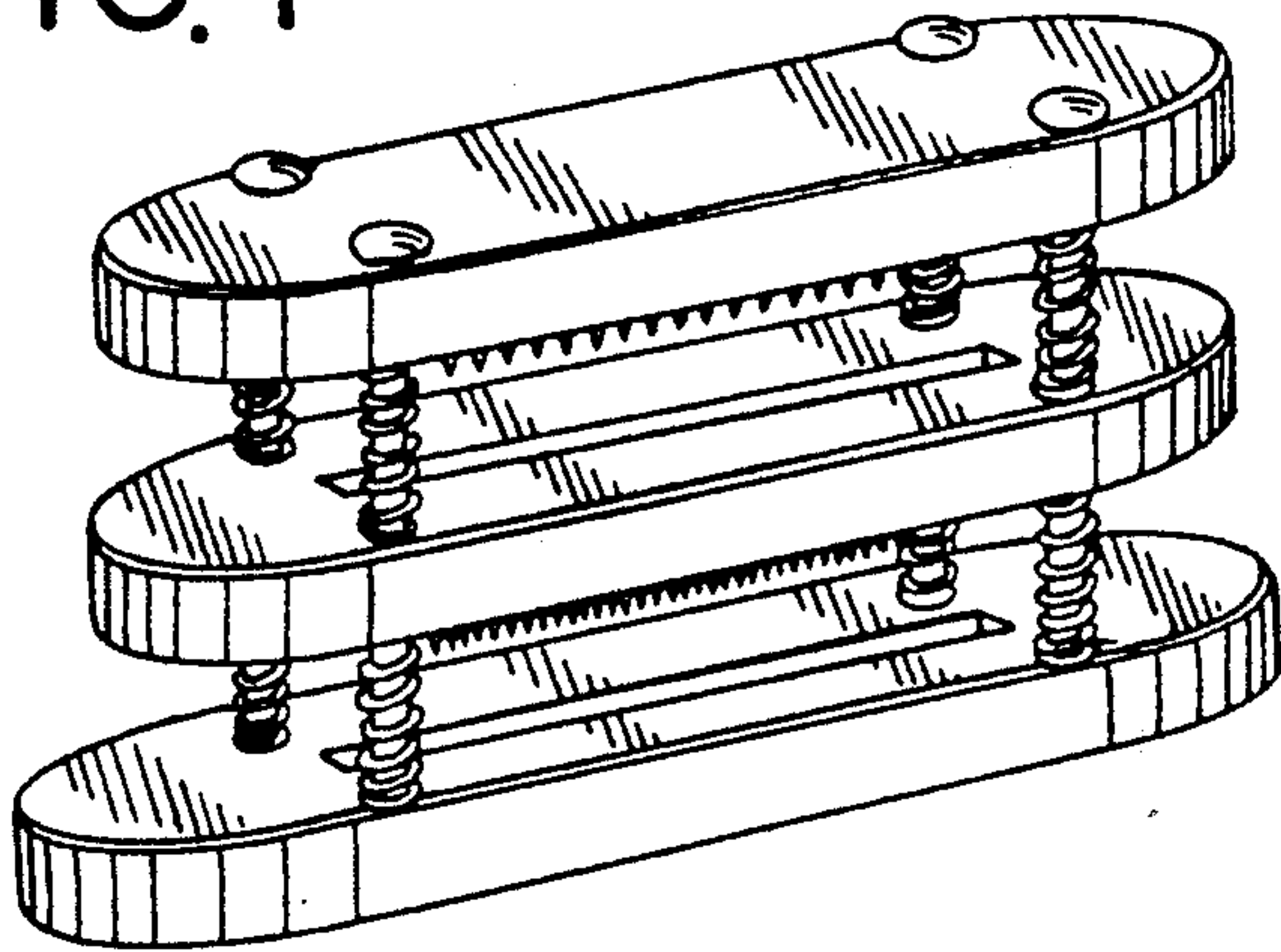


FIG. 2

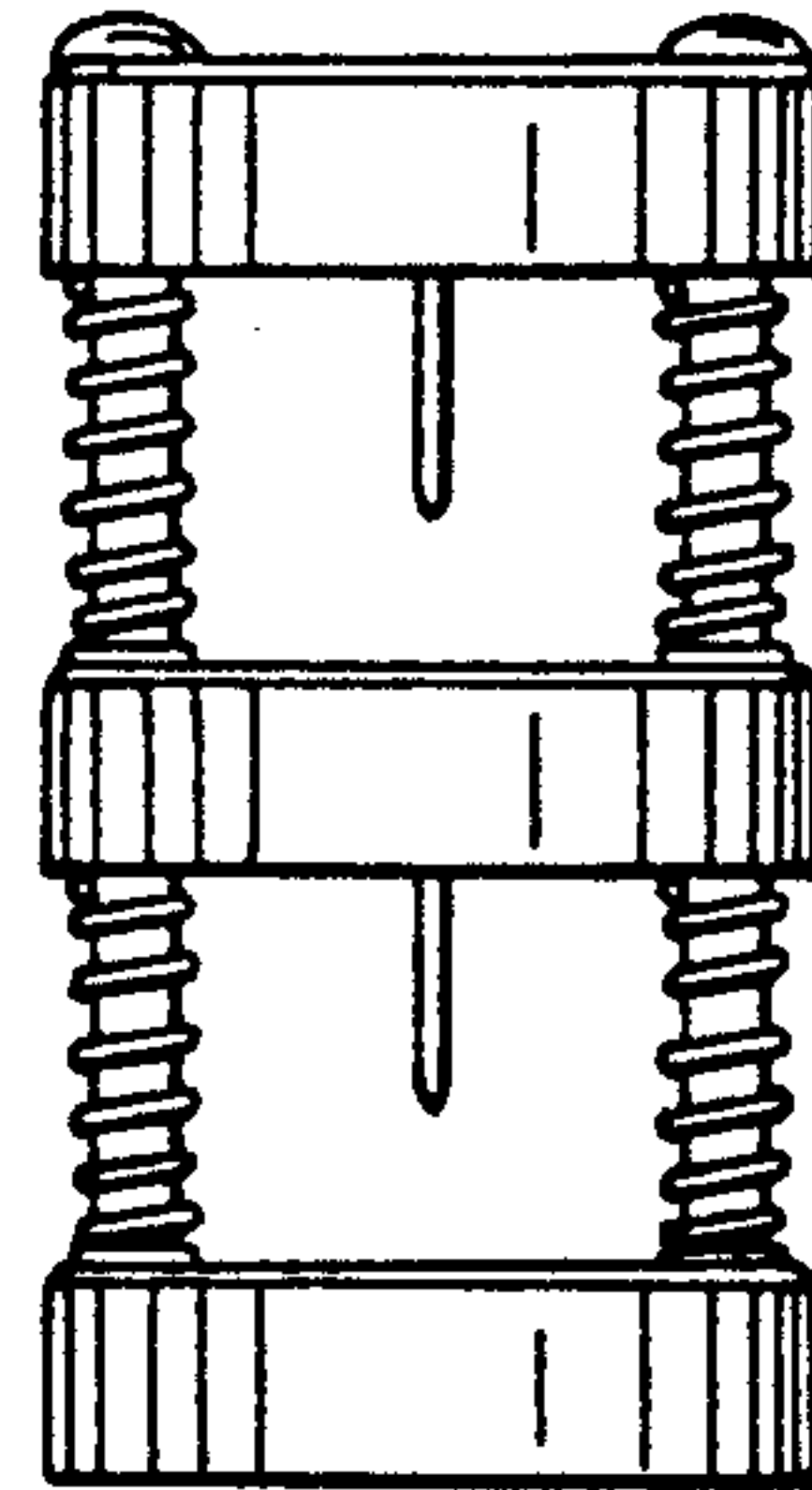


FIG. 3

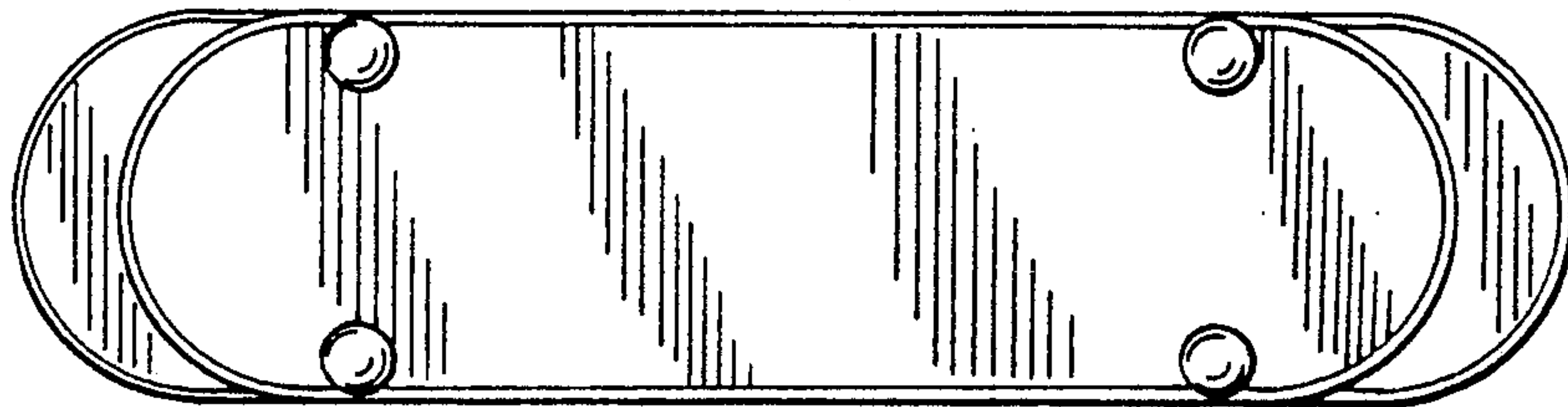


FIG. 4

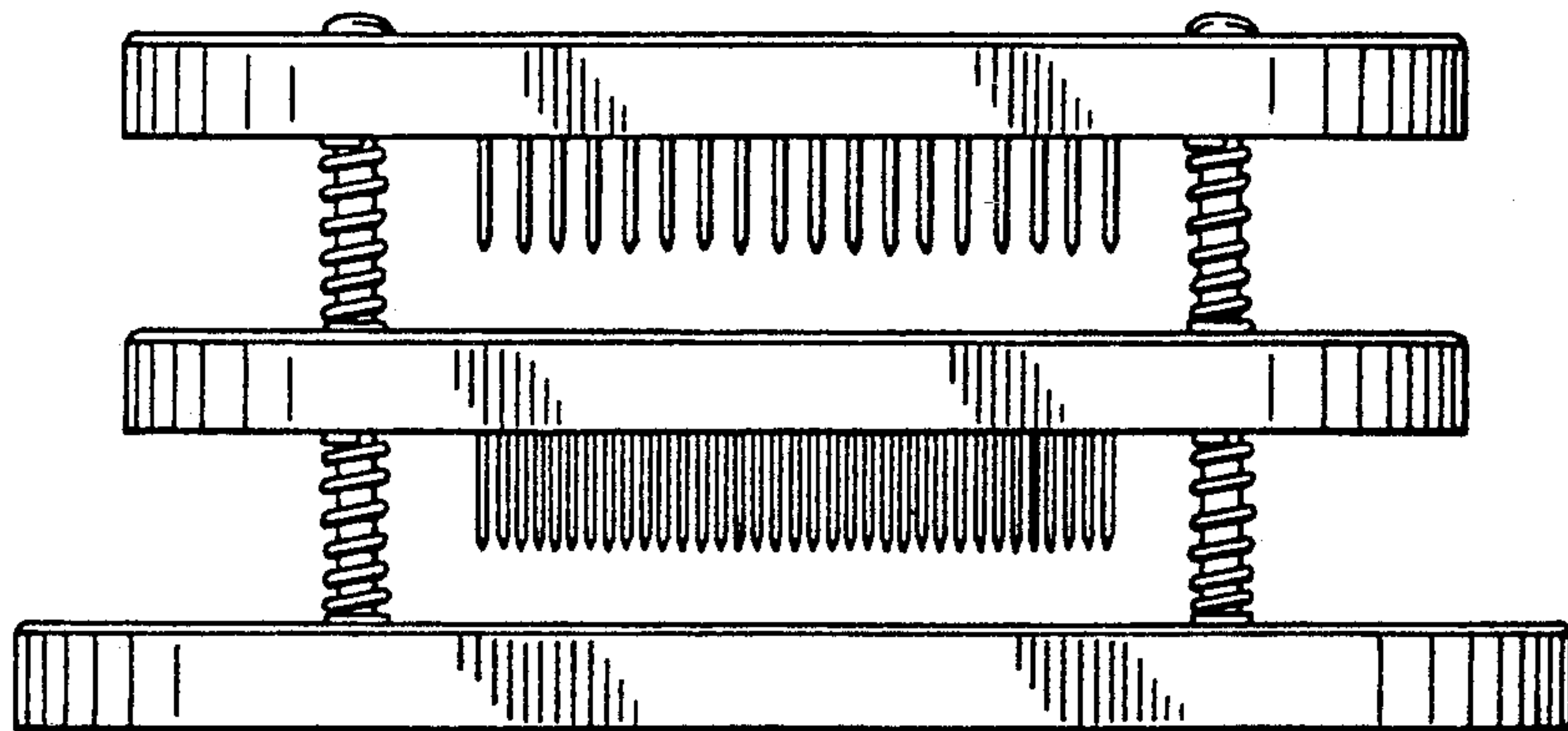


FIG. 5

