



US00D331529S

United States Patent [19]

Reinklou

[11] Patent Number: **Des. 331,529**

[45] Date of Patent: **** Dec. 8, 1992**

[54] **GUARD RAIL SUPPORT FOR SCAFFOLDING**

[76] Inventor: **Lars-Anders Reinklou,**
Regementsgatan 12, S-831 41
Östersund, Sweden

[**] Term: **14 Years**

[21] Appl. No.: **674,965**

[22] Filed: **Mar. 26, 1991**

[52] U.S. Cl. **D8/73; D8/355**

[58] Field of Search **D25/66, 68;**
D8/354-355, 71-73; 182/113; 248/231.7

[56] **References Cited**

U.S. PATENT DOCUMENTS

- D. 239,434 4/1976 Linn D8/355
- D. 317,394 6/1991 Goldstein D8/71

- 3,863,899 2/1975 Werner 182/113 X
- 3,867,997 2/1975 Hyslop, Jr. 182/113
- 4,598,794 6/1986 Anderson 182/113
- 4,846,803 7/1989 Emerson 248/231.7 X

Primary Examiner—Wallace R. Burke
Assistant Examiner—H. Baynham
Attorney, Agent, or Firm—Young & Thompson

[57] CLAIM

The ornamental design for a guard rail support for scaffolding, as shown and described.

DESCRIPTION

FIG. 1 is a side elevational view of a guide rail support for scaffolding showing my new design with the opposite side being a mirror image thereof; FIG. 2 is a side, top, rear perspective view thereof; and, FIG. 3 is an opposite side, bottom, rear perspective view thereof.

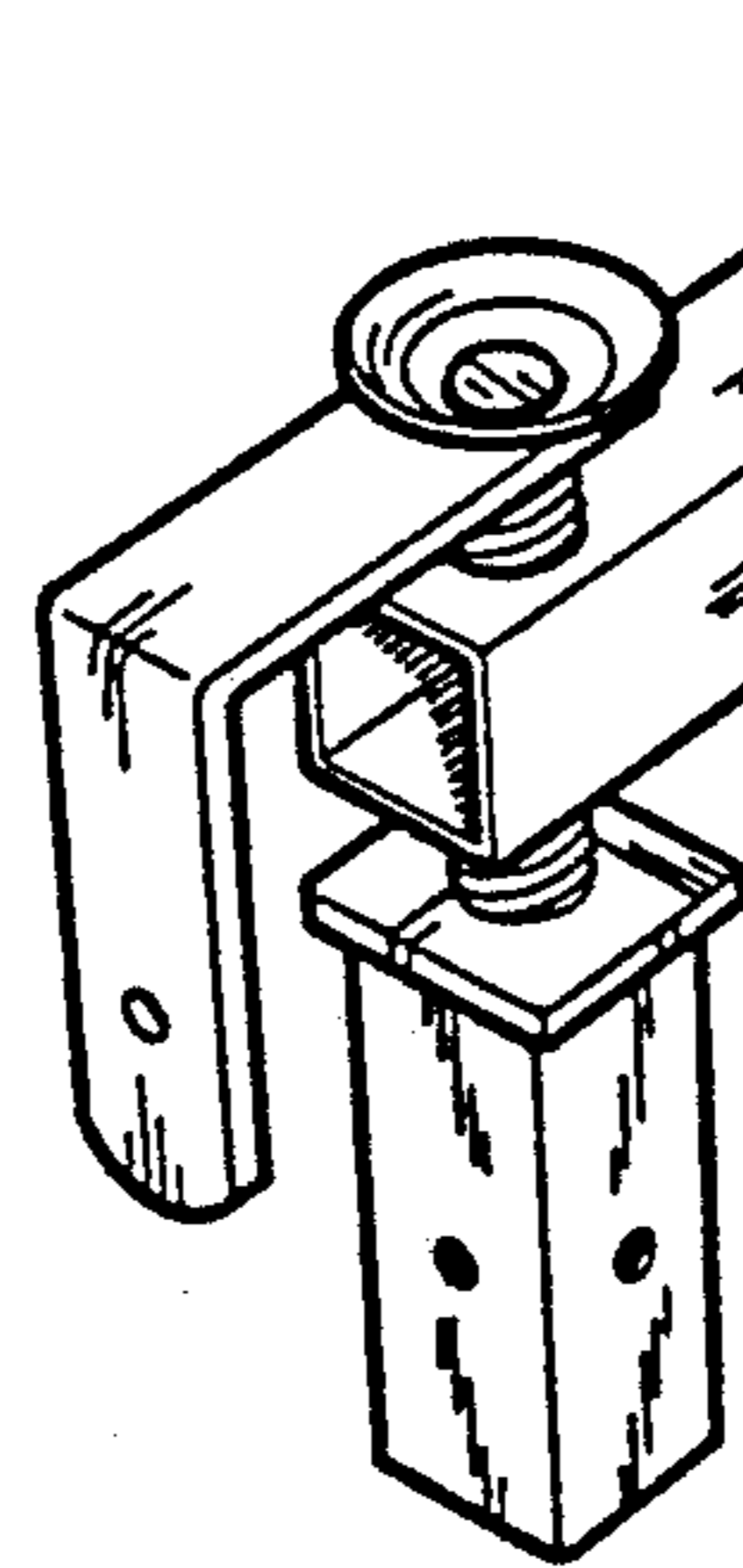
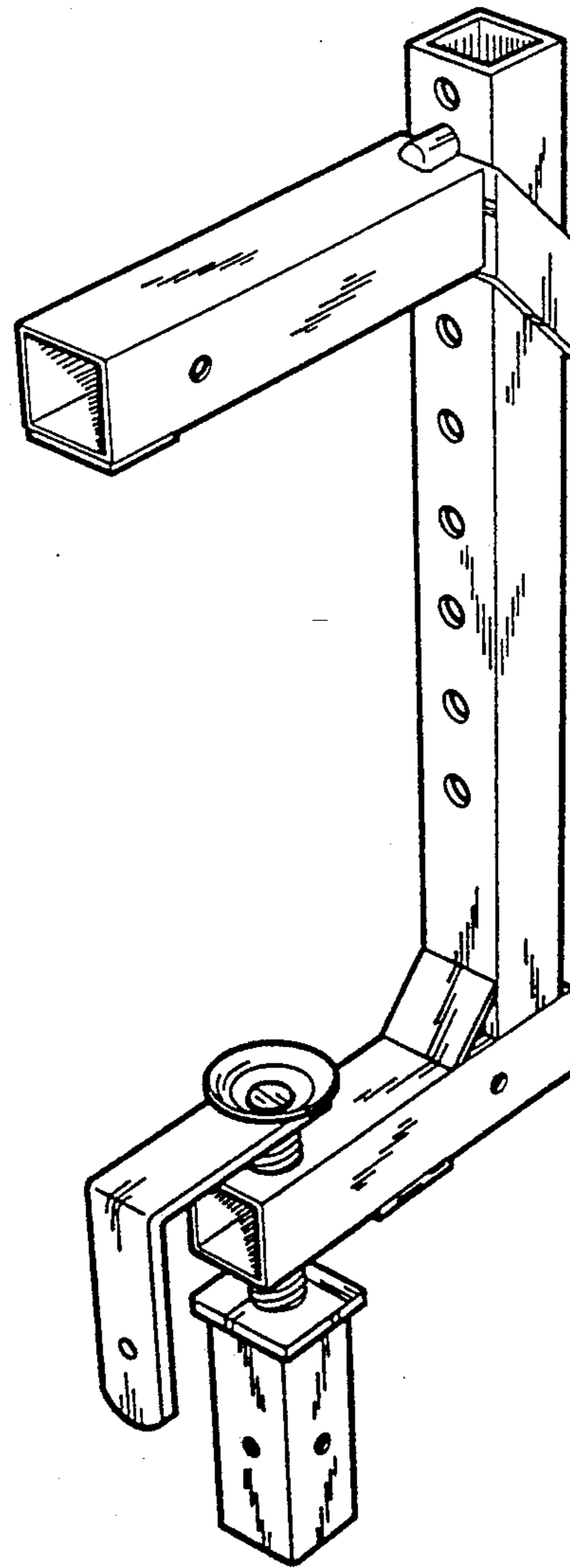
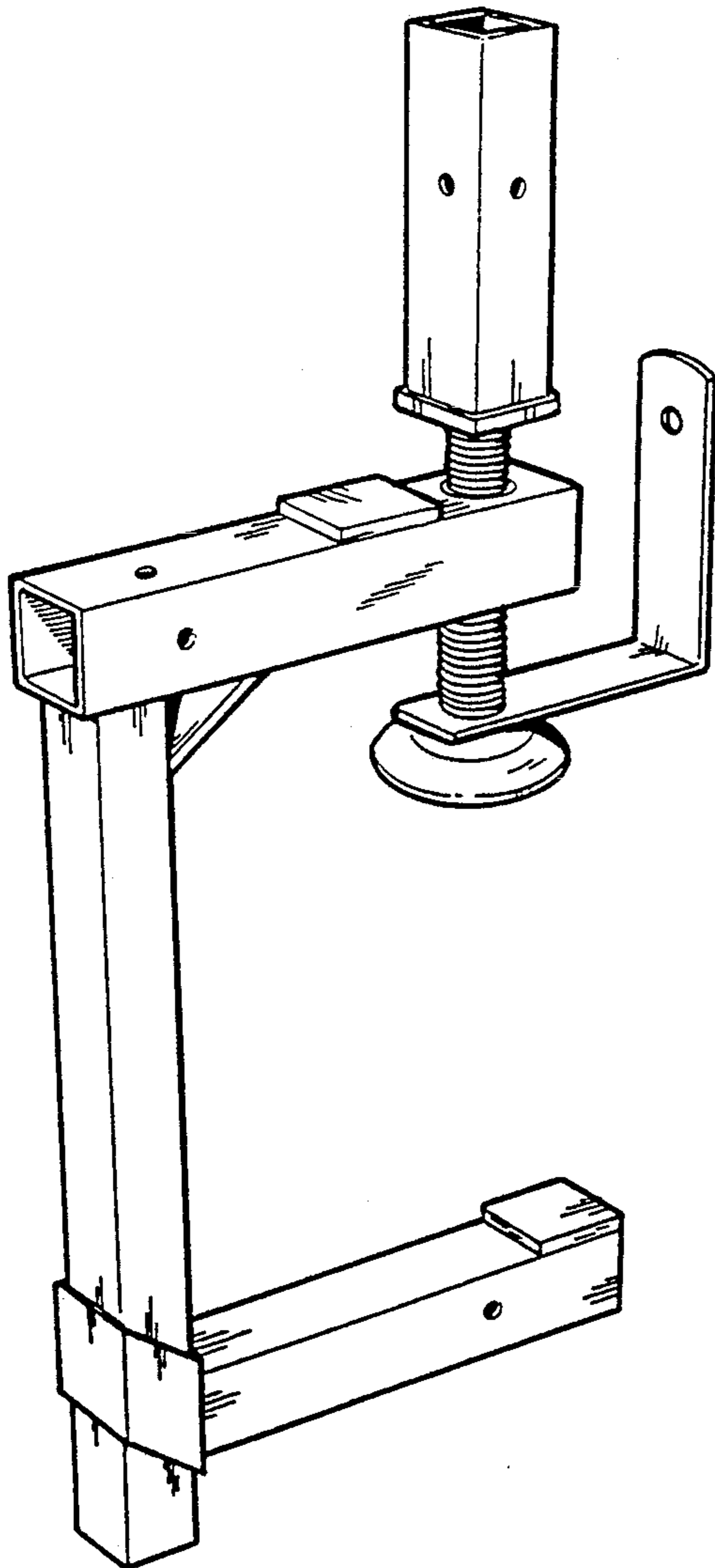


Fig. 1

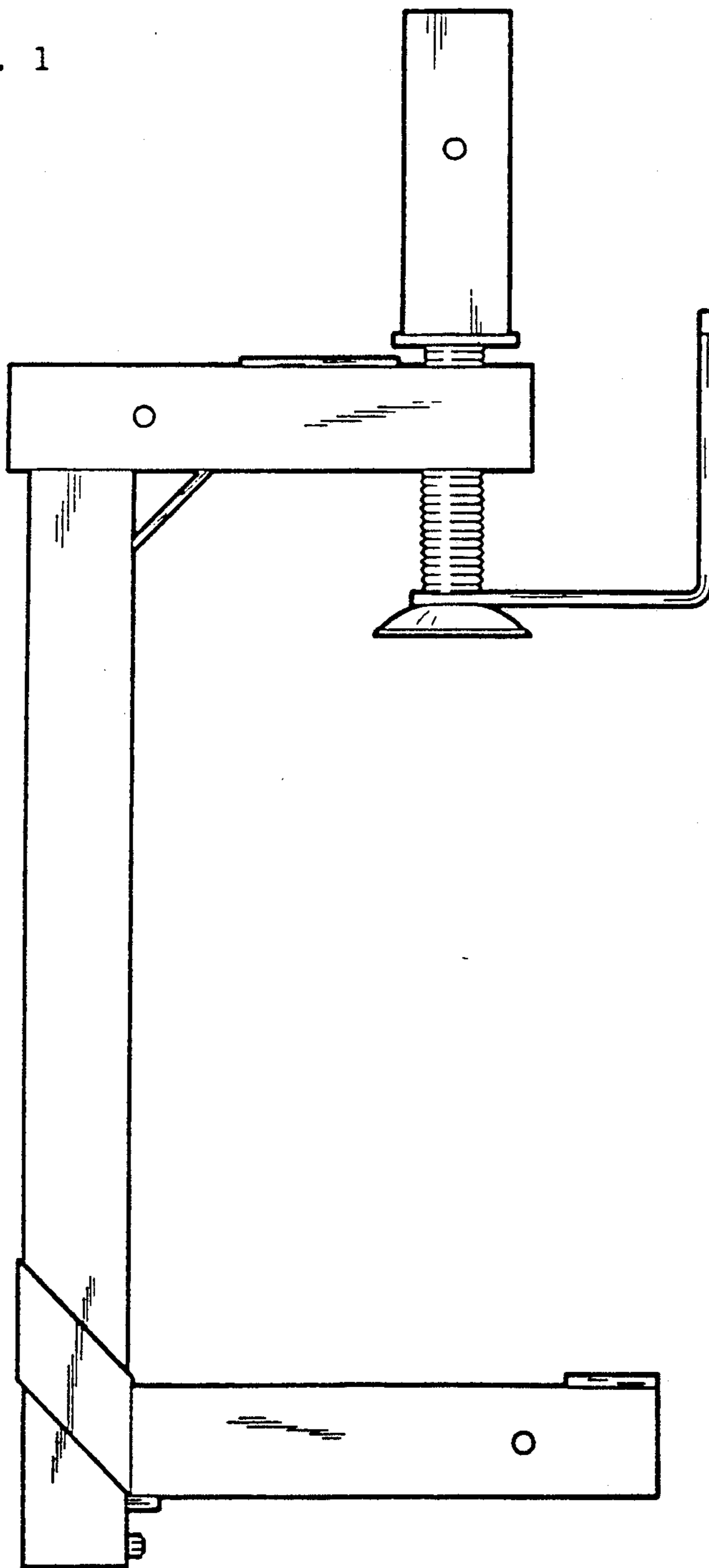


Fig. 2

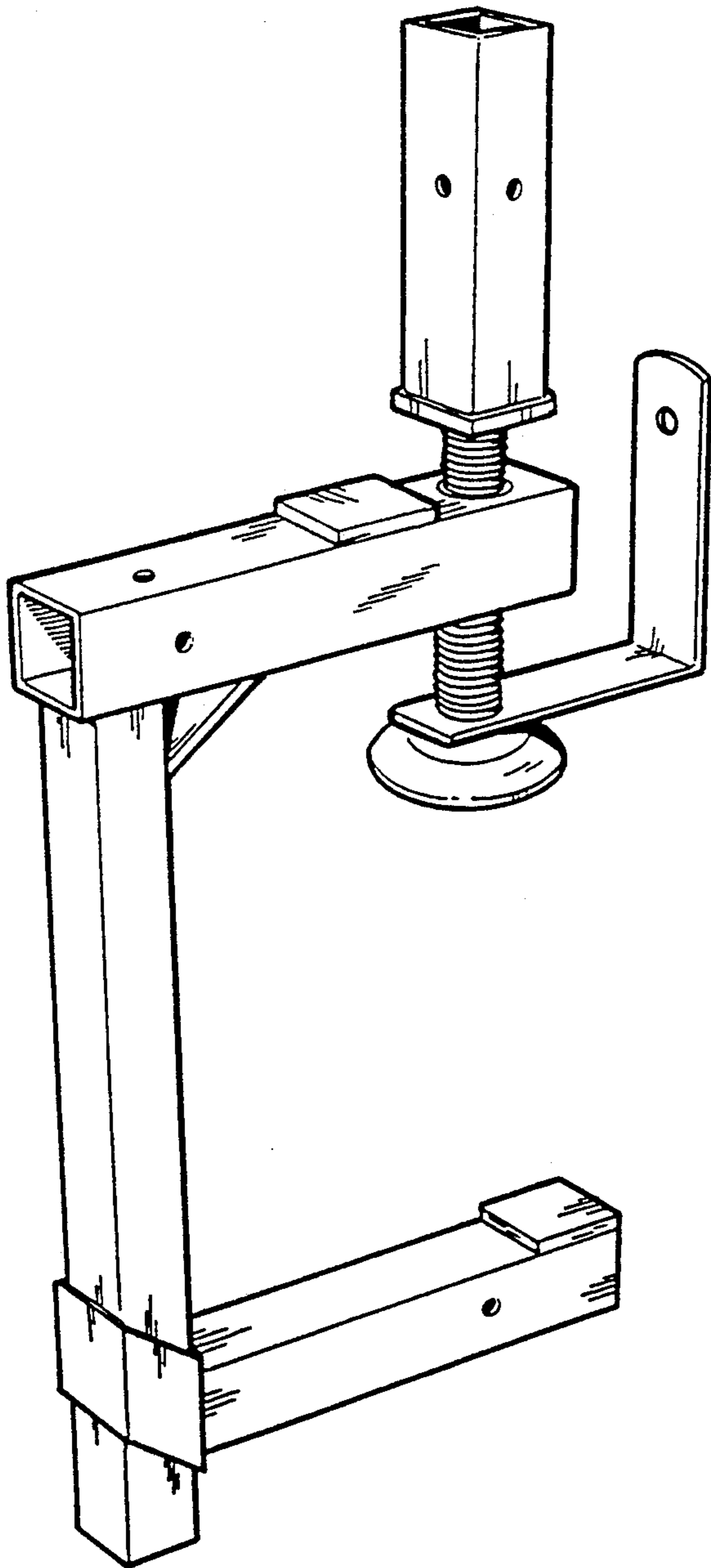


Fig. 3

