



US00D331522S

United States Patent [19]

[11] Patent Number: **Des. 331,522**

Littmann

[45] Date of Patent: **** Dec. 8, 1992**

[54] ESPRESSO MACHINE

- [75] Inventor: **Ludwig Littmann, Königstein, Fed. Rep. of Germany**
- [73] Assignee: **Braun Aktiengesellschaft, Frankfurt, Fed. Rep. of Germany**
- [**] Term: **14 Years**
- [21] Appl. No.: **454,126**
- [22] Filed: **Dec. 21, 1989**
- [52] U.S. Cl. **D7/309; D7/311**
- [58] Field of Search **D7/300, 305, 308, 309, D7/312, 311**

OTHER PUBLICATIONS

Abitare 220, Dec. 1983, p. 61, Panel #4—Espresso Machine by Bauknecht Italiana.
Hamilton Beach Supplement to HFD, Retailing Home Furnishings, section two, Jul. 9, 1979, Espresso Maker—bottom right panel.
 Primary Examiner—Nelson C. Holtje
 Assistant Examiner—Caron D. Veynar
 Attorney, Agent, or Firm—Fish & Richardson

[56] References Cited

U.S. PATENT DOCUMENTS

- D. 288,517 3/1987 Kahlcke D7/309
- D. 300,104 3/1989 Cortese D7/311 X

FOREIGN PATENT DOCUMENTS

- 905541 8/1989 Fed. Rep. of Germany .
- 907499 10/1989 Fed. Rep. of Germany .
- 013598 5/1989 Int'l Pat. Institute .
- 013605 5/1989 Int'l Pat. Institute .
- 014096 7/1989 Int'l Pat. Institute .
- 014207 11/1989 Int'l Pat. Institute .
- 1058833 11/1988 United Kingdom .

[57] CLAIM

The ornamental design for an espresso machine, as shown and described.

DESCRIPTION

FIG. 1 is a left, front and top perspective view of an espresso machine showing my new design; FIG. 2 is a right side elevational view thereof; FIG. 3 is a left side elevational view thereof; FIG. 4 is a front elevational view thereof; FIG. 5 is a rear elevational view thereof; FIG. 6 is a top plan view thereof; and FIG. 7 is a bottom plan view thereof. The broken line showing of an electrical cord portion in FIGS. 1-3 and 5-7 are environmental only and forms no part of the claimed design.

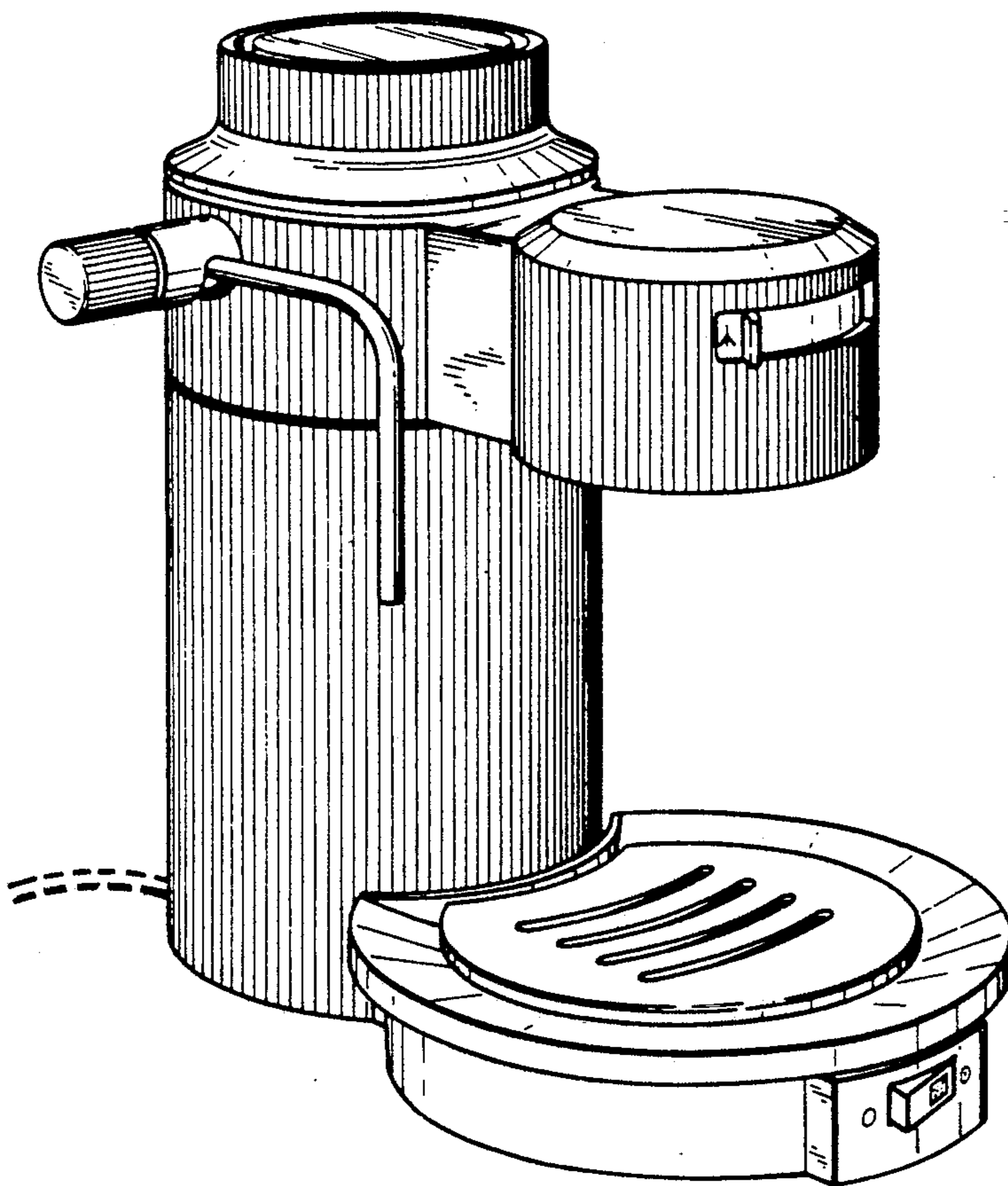


Fig. 1

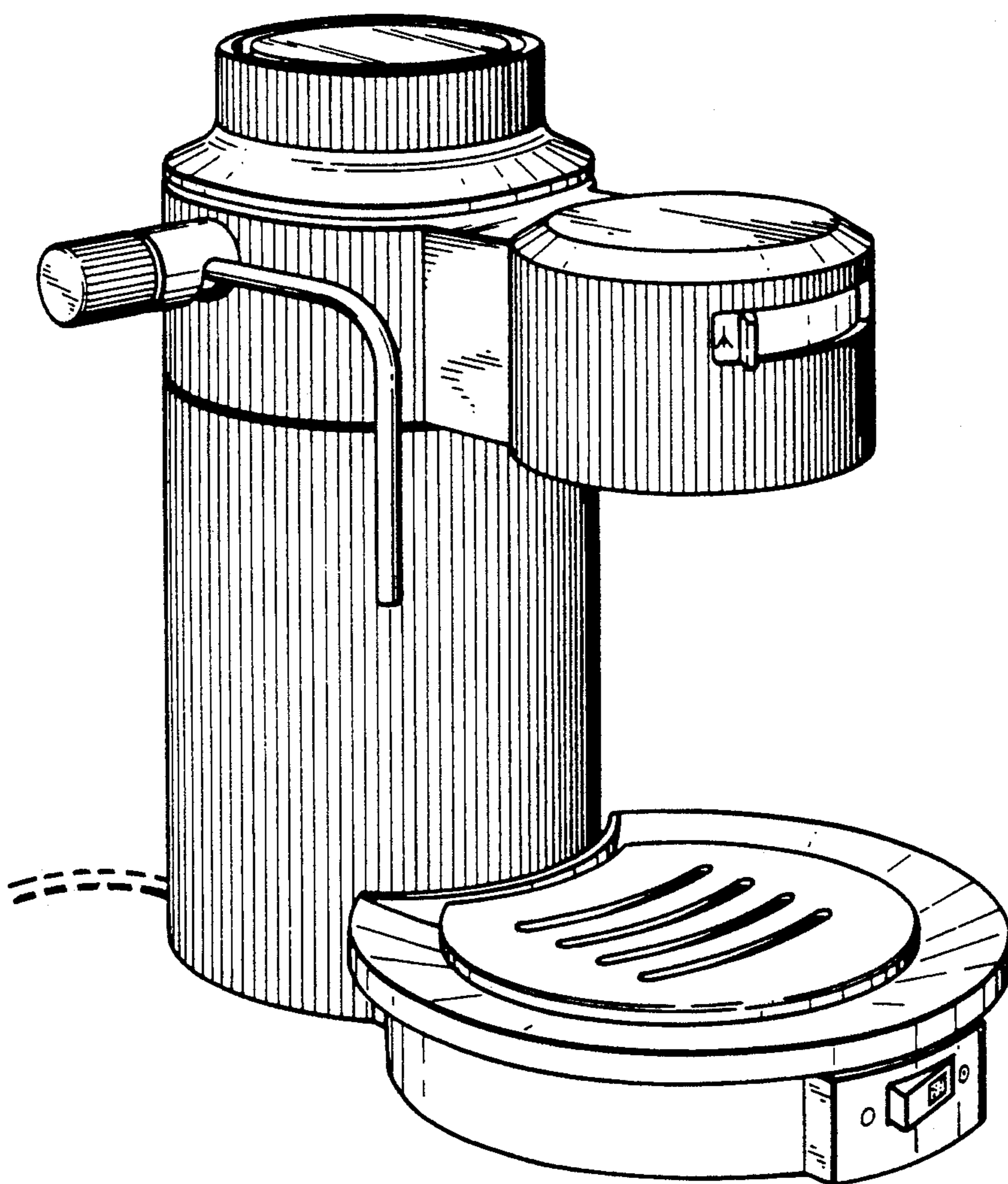


Fig. 6

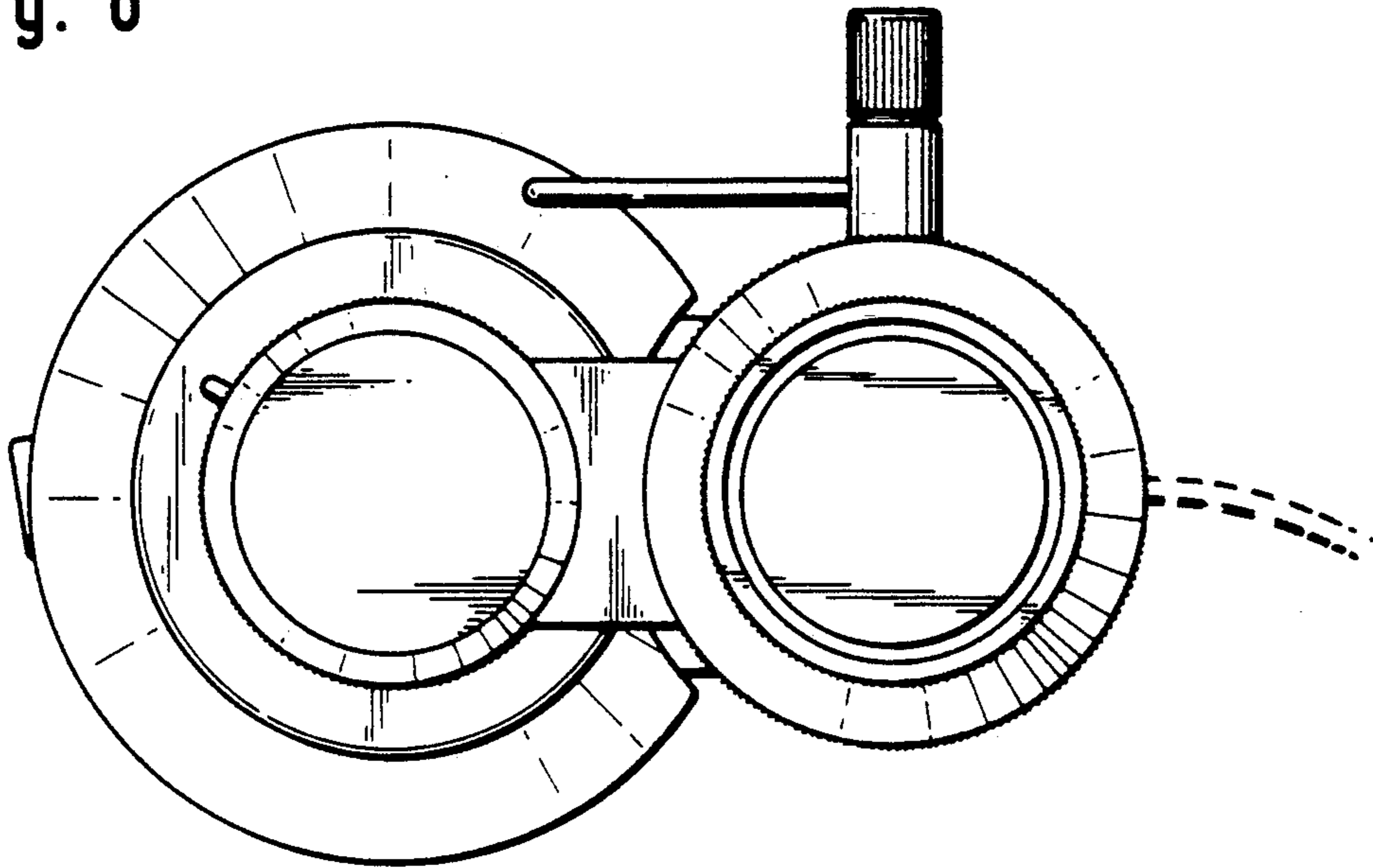


Fig. 2

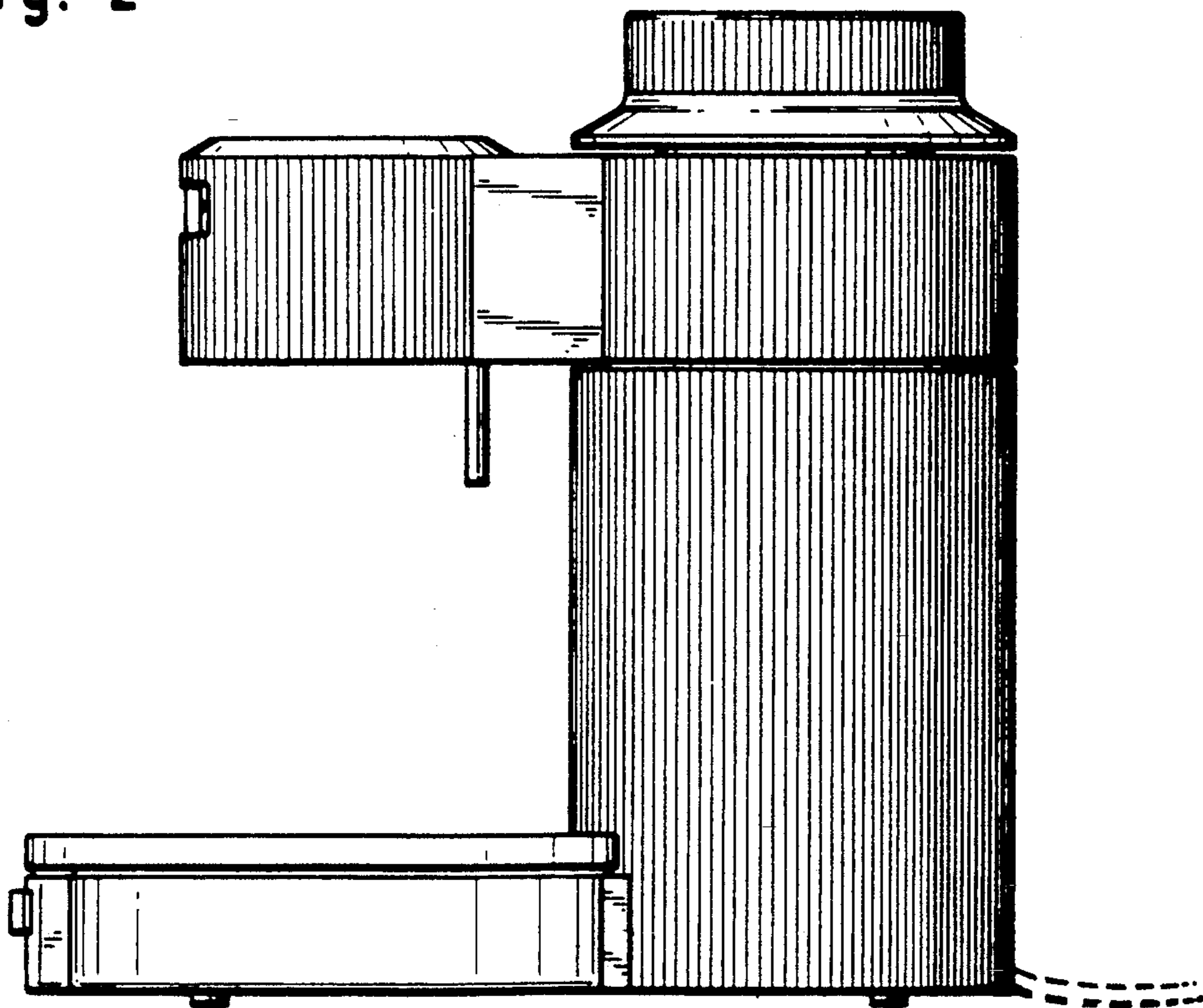


Fig. 3

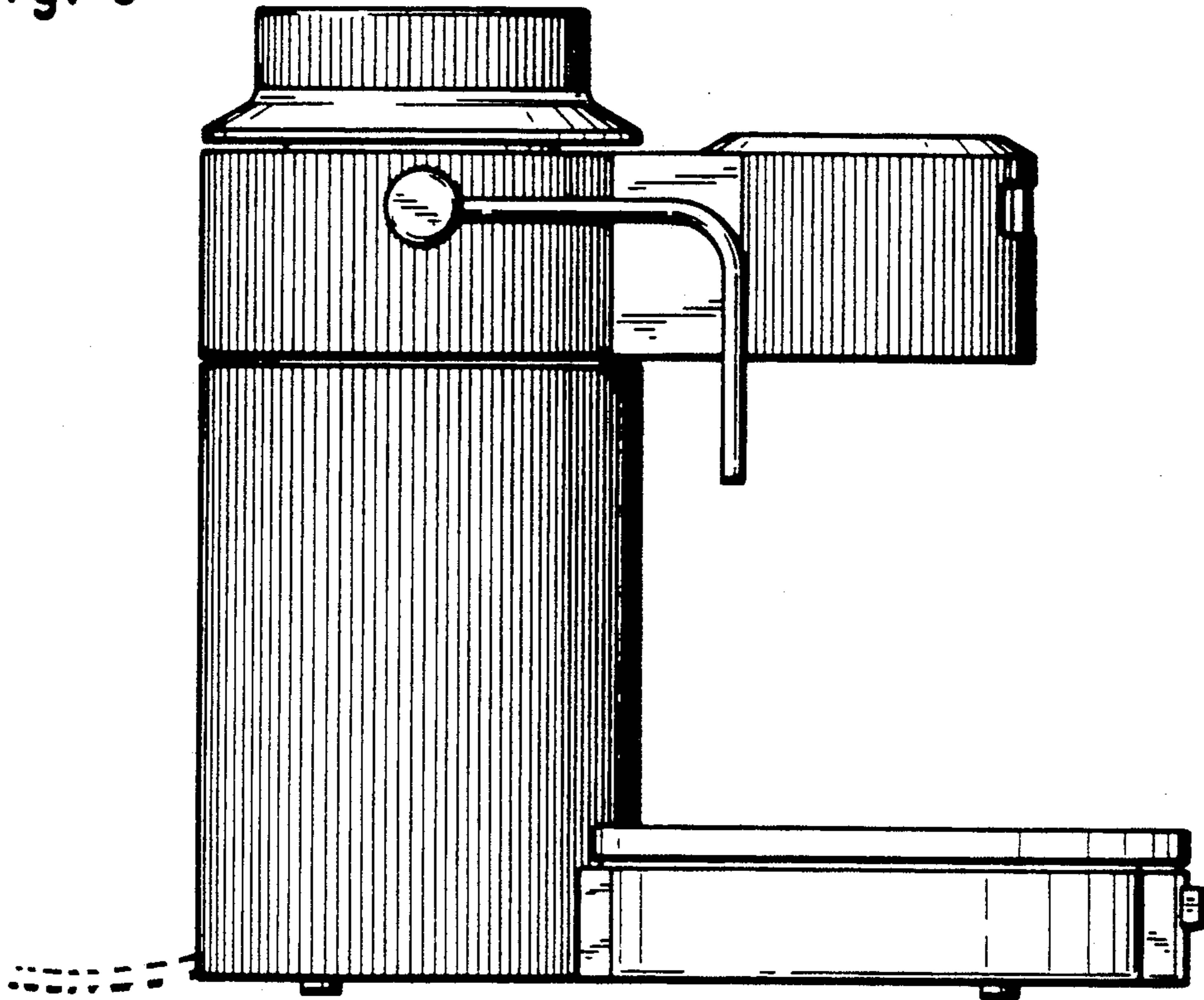


Fig. 7

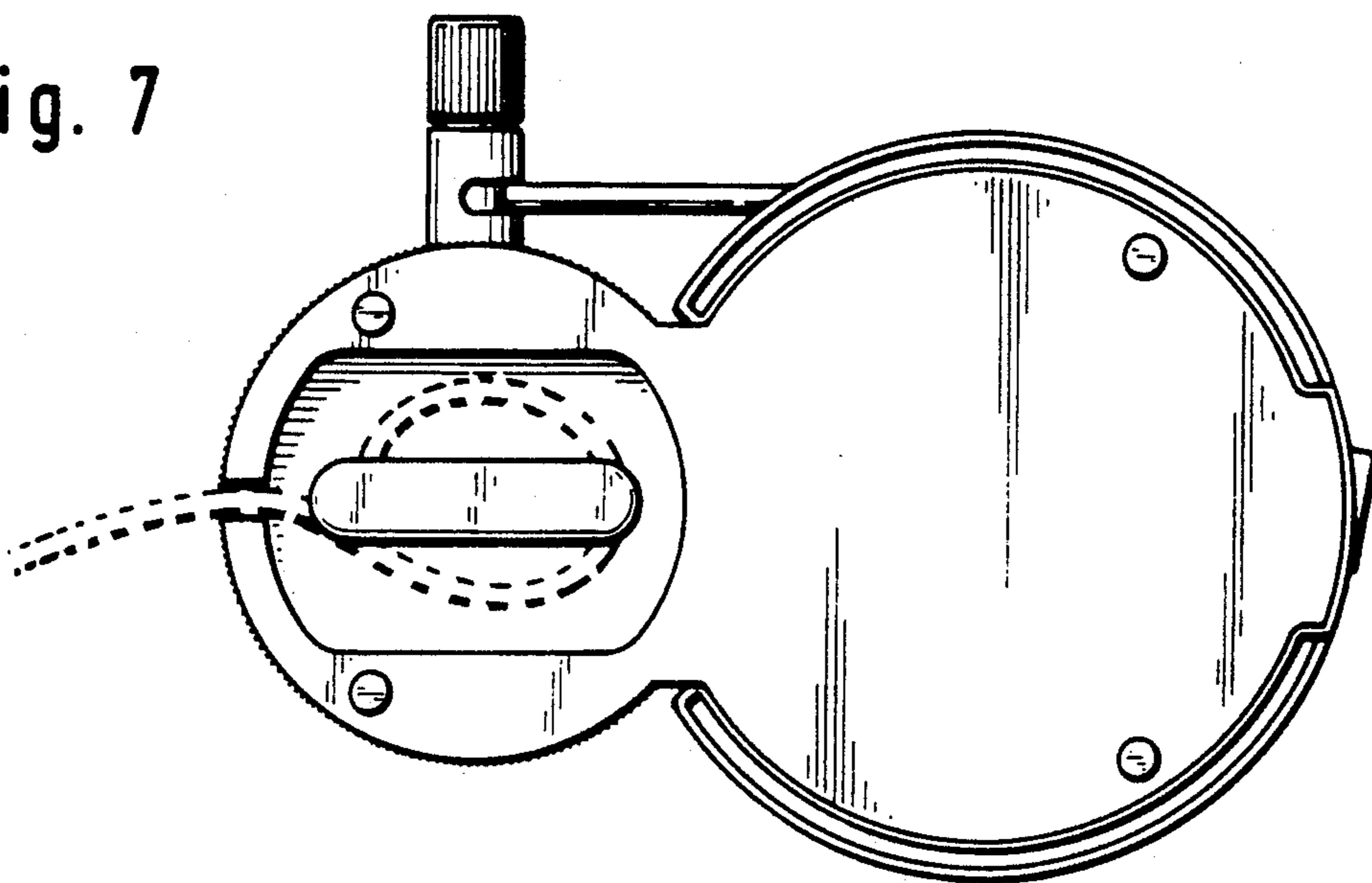


Fig. 4

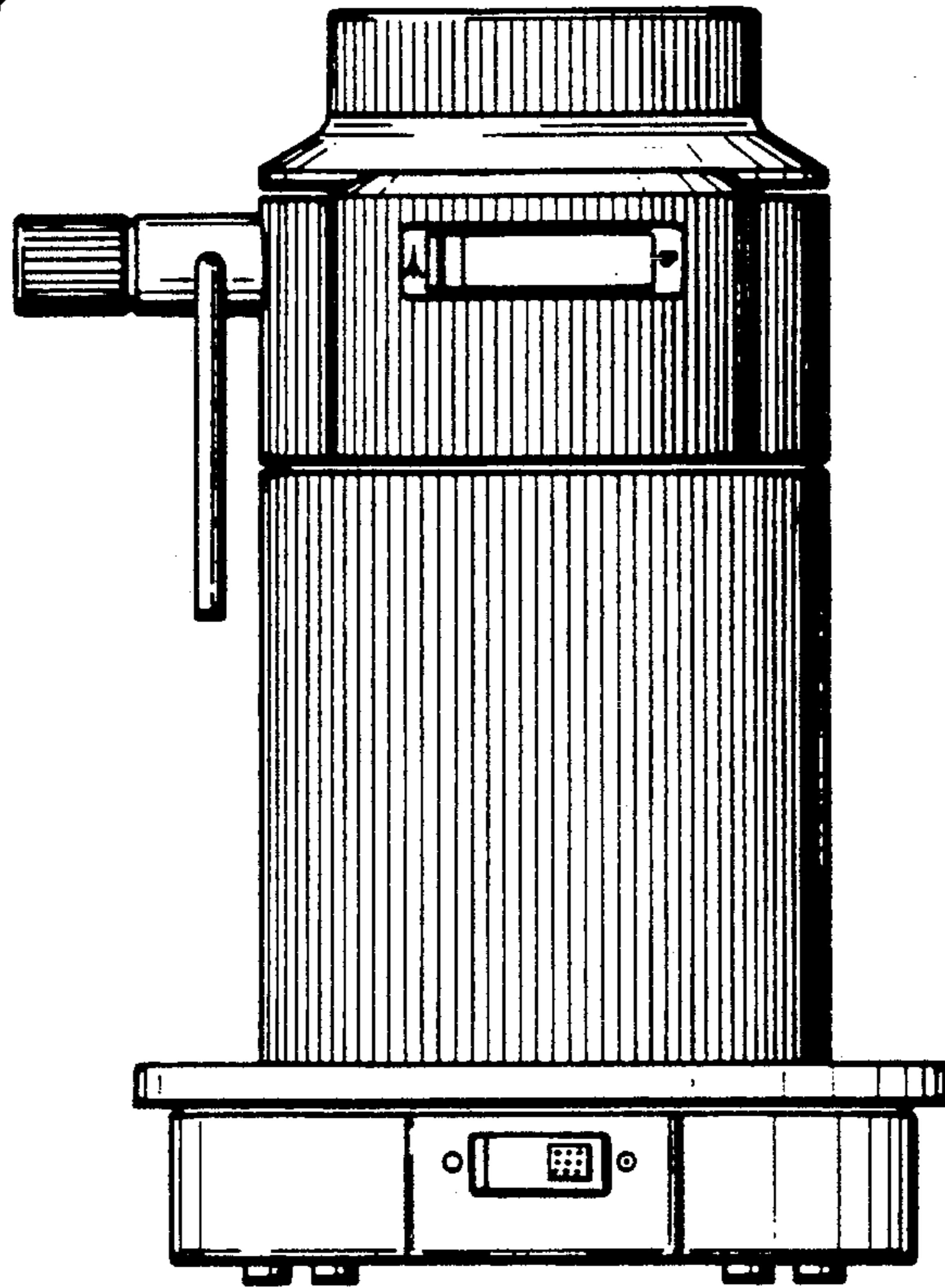


Fig. 5

