



US00D331518S

United States Patent [19] Grosfillex

[11] Patent Number: **Des. 331,518**
[45] Date of Patent: **** Dec. 8, 1992**

[54] LOVE SEAT
[75] Inventor: **Raymond Grosfillex, Oyonnax, France**
[73] Assignee: **Grosfillex Sarl, Oyonnax, France**
[**] Term: **14 Years**
[21] Appl. No.: **421,725**
[22] Filed: **Oct. 16, 1989**
[30] Foreign Application Priority Data
Apr. 17, 1989 [IB] Int'l Pat. Institute **DM/014248**
[52] U.S. Cl. **D6/381; D6/370; D6/379**
[58] Field of Search **D6/334, 368, 370, 371, D6/372, 373, 374, 375, 376, 379, 380, 381, 500, 501**

D. 325,304 4/1992 Grosfillex D6/370

OTHER PUBLICATIONS

Washington Post Magazine, Woodward & Lothrop ad, Apr. 1983, p. 50 chair at mid-page left.
Madison Furn. Indos., Shelby Williams Office Furn. Group, Sep. 1985, Chair shown.
Brown Jordan, ©1986, p. 31, Chair #1770-2400 at bottom right.
Schönes Wohnen, May 1987, p. 132, Chair #2, shown mid-page, second from left.

Primary Examiner—Donald P. Walsh
Assistant Examiner—Gary D. Watson
Attorney, Agent, or Firm—Dowell & Dowell

[57] CLAIM

The ornamental design for a love seat, as shown and described.

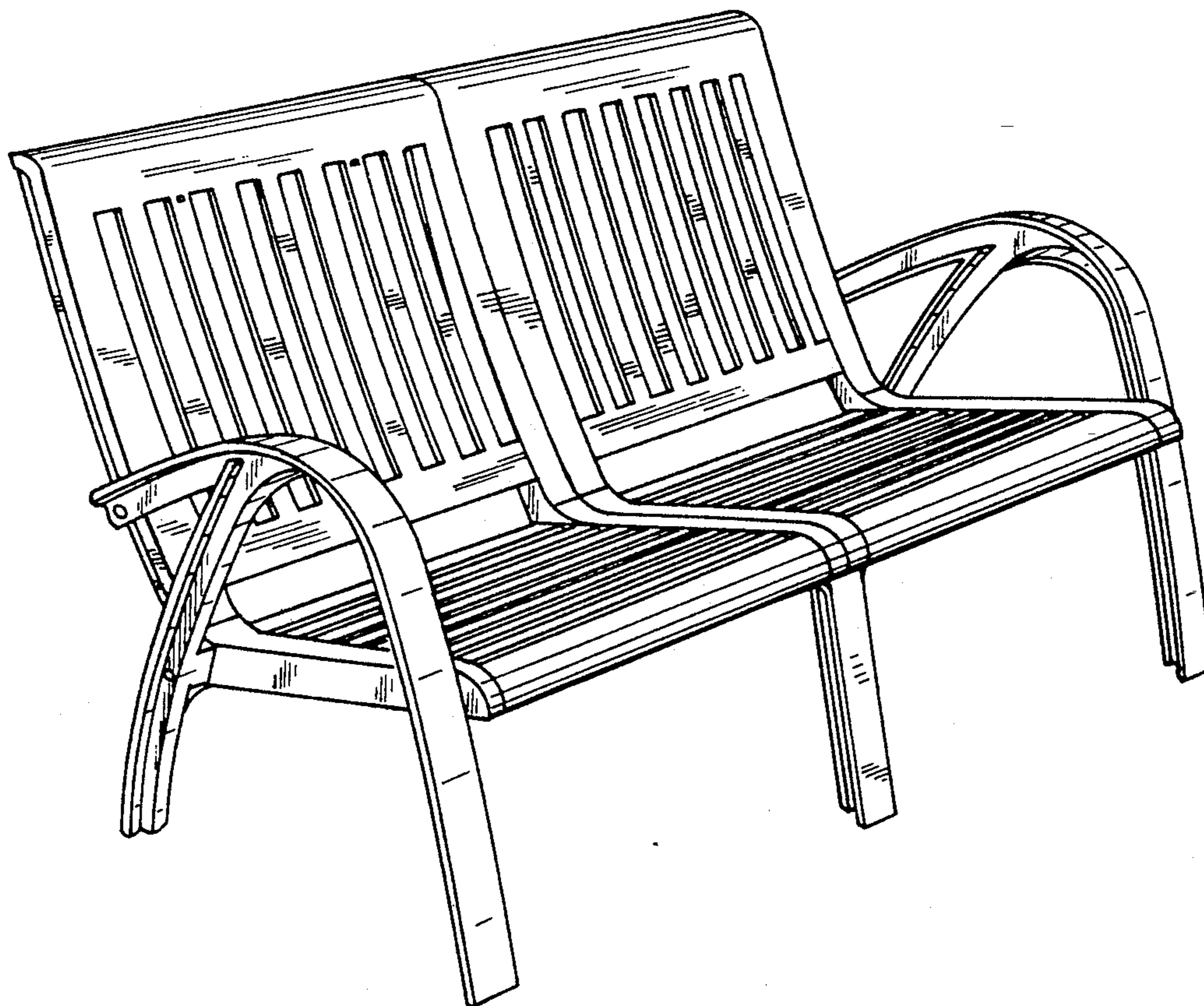
DESCRIPTION

FIG. 1 is a left-front perspective view of a love seat showing my new design;
FIG. 2 is a front perspective view;
FIG. 3 is a rear perspective view;
FIG. 4 is a left side perspective view, the right side being a mirror image thereof;
FIG. 5 is a top perspective view; and,
FIG. 6 is a bottom perspective view thereof.

[56] References Cited

U.S. PATENT DOCUMENTS

D. 100,182 6/1936 Terker D6/379
D. 277,908 3/1985 Liisberg D6/373
D. 282,027 1/1986 Schultz D6/373
D. 291,161 8/1987 Hubert D6/370
D. 298,787 12/1988 Greene D6/373
D. 300,588 4/1989 White D6/379
D. 323,249 1/1992 Schwartz D6/370



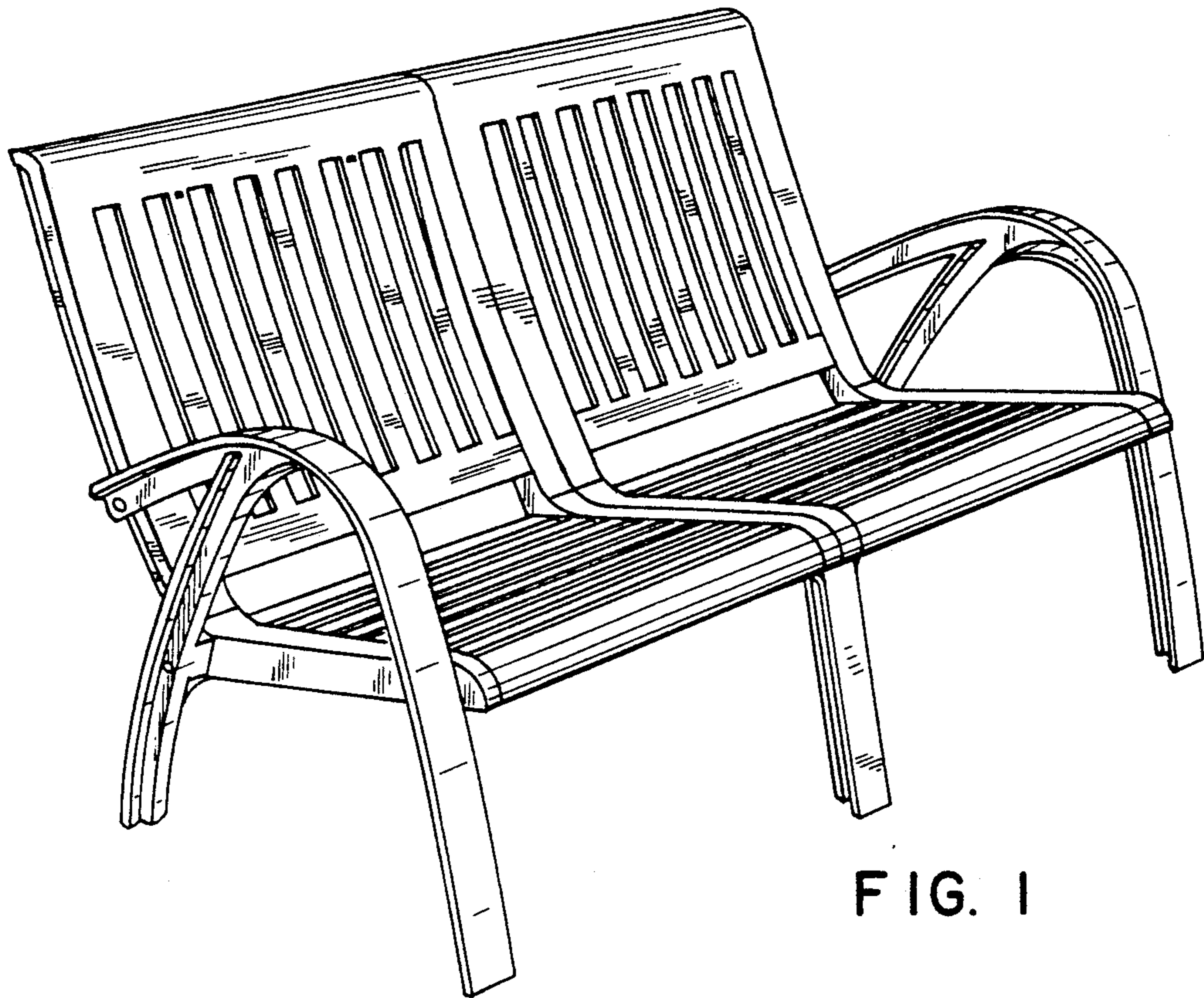


FIG. 1

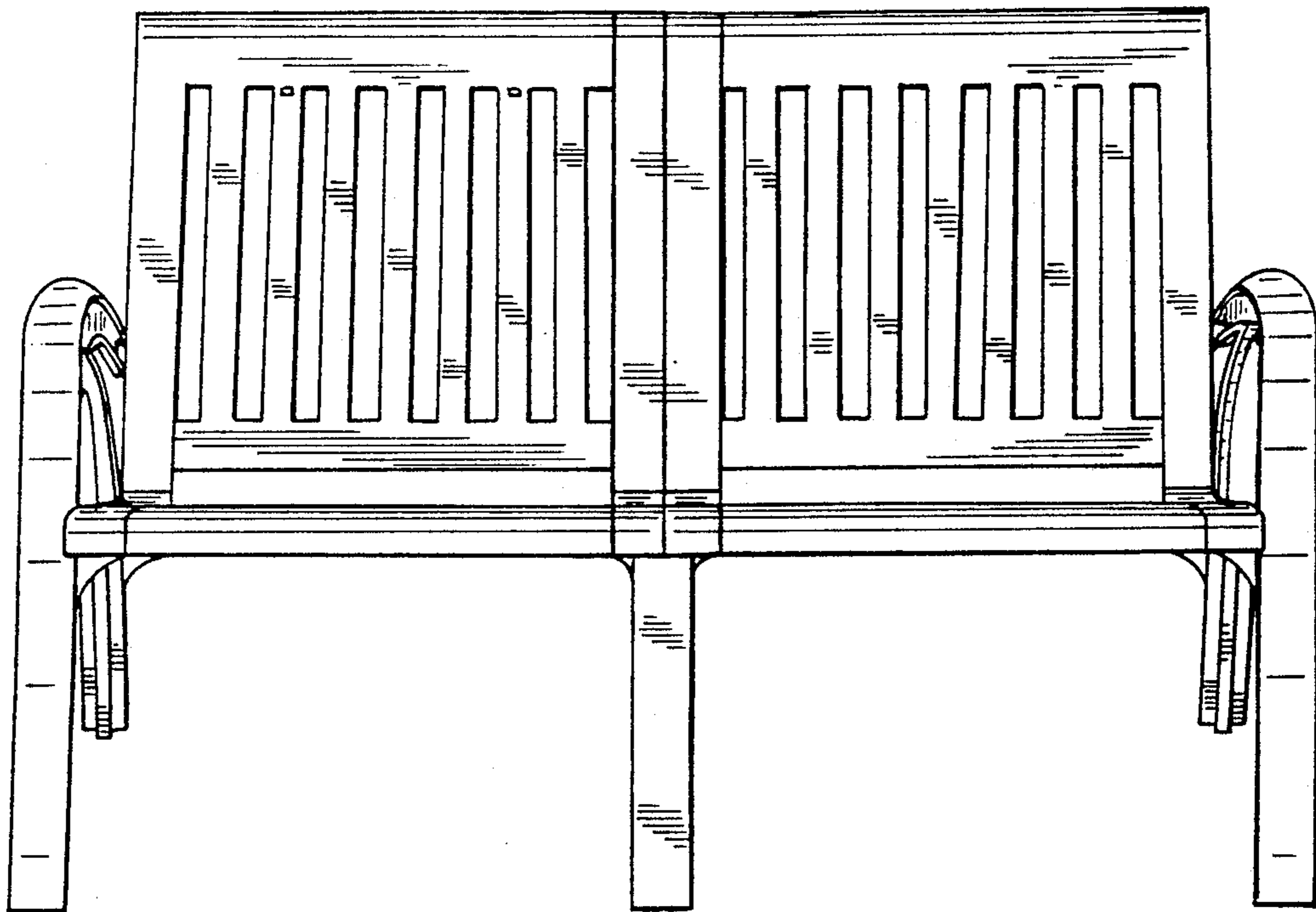


FIG. 2

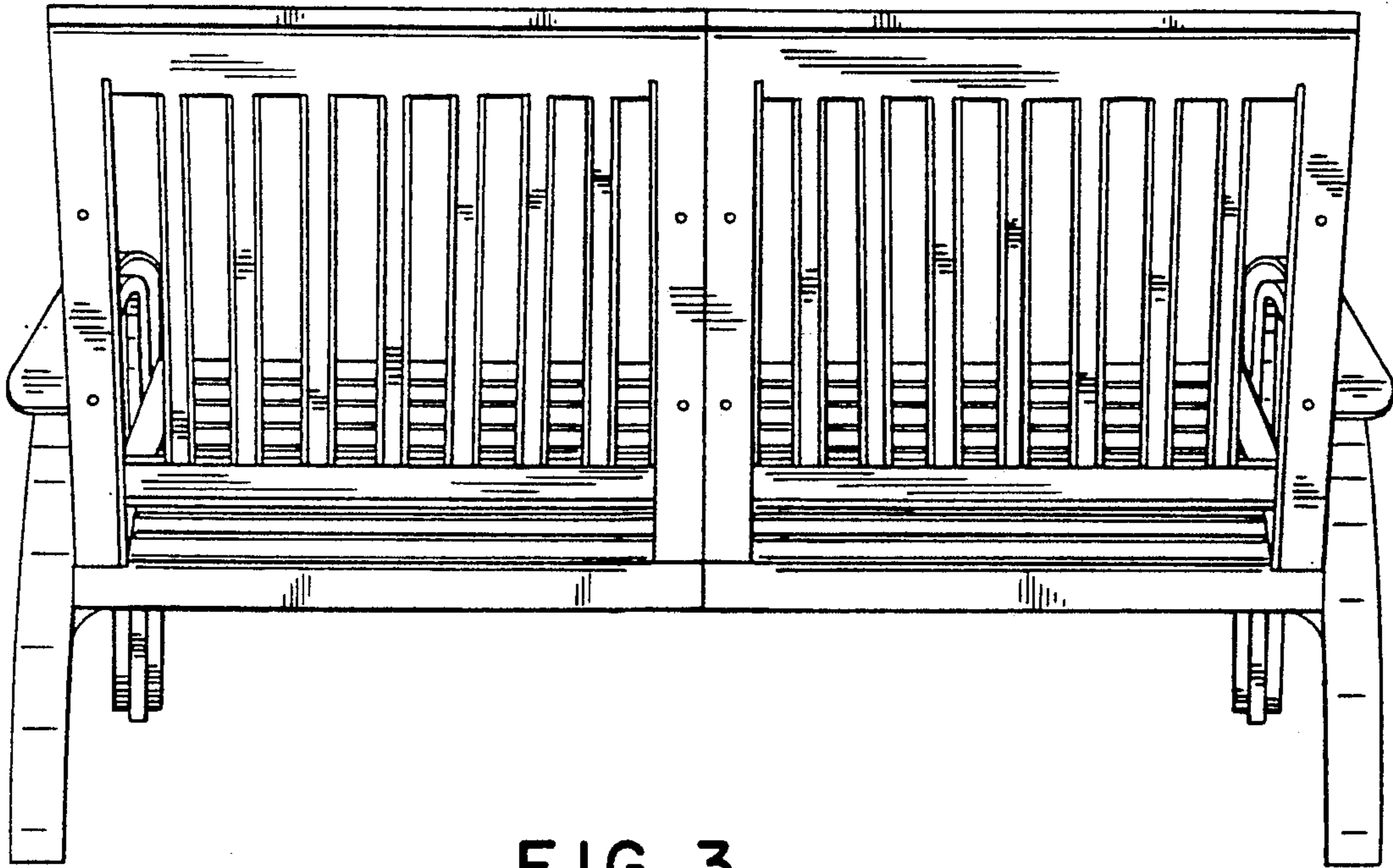


FIG. 3

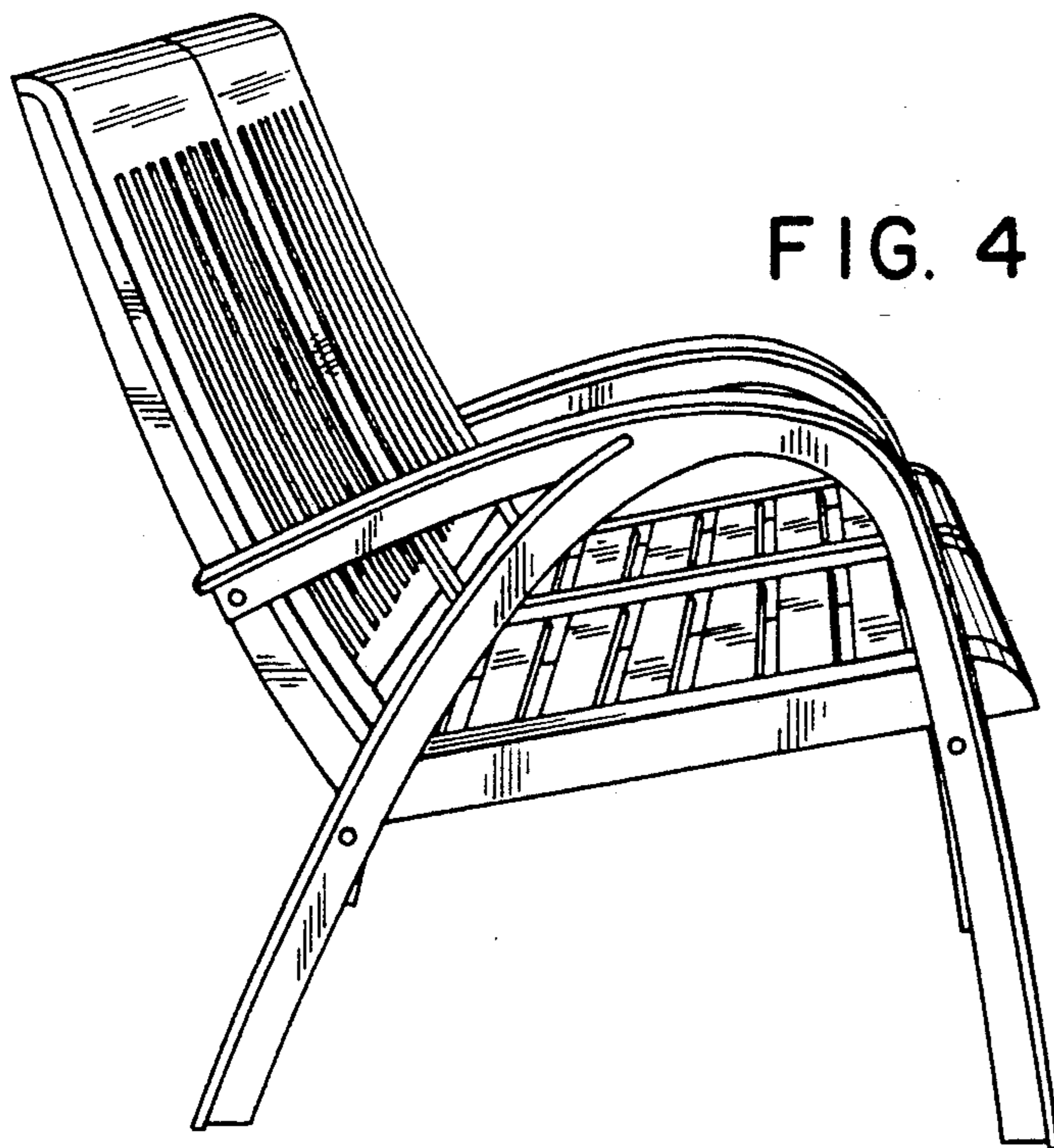


FIG. 4

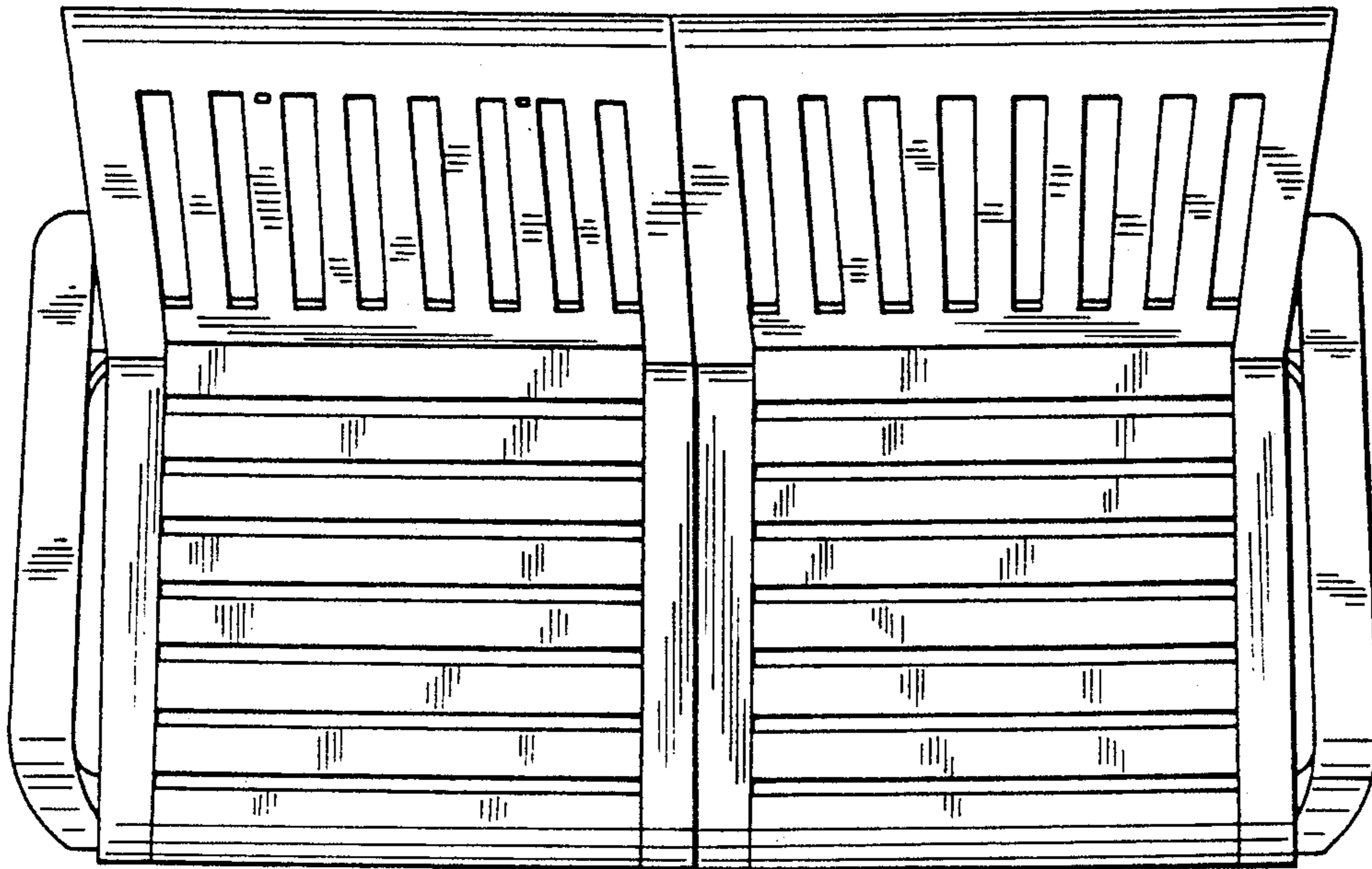


FIG. 5

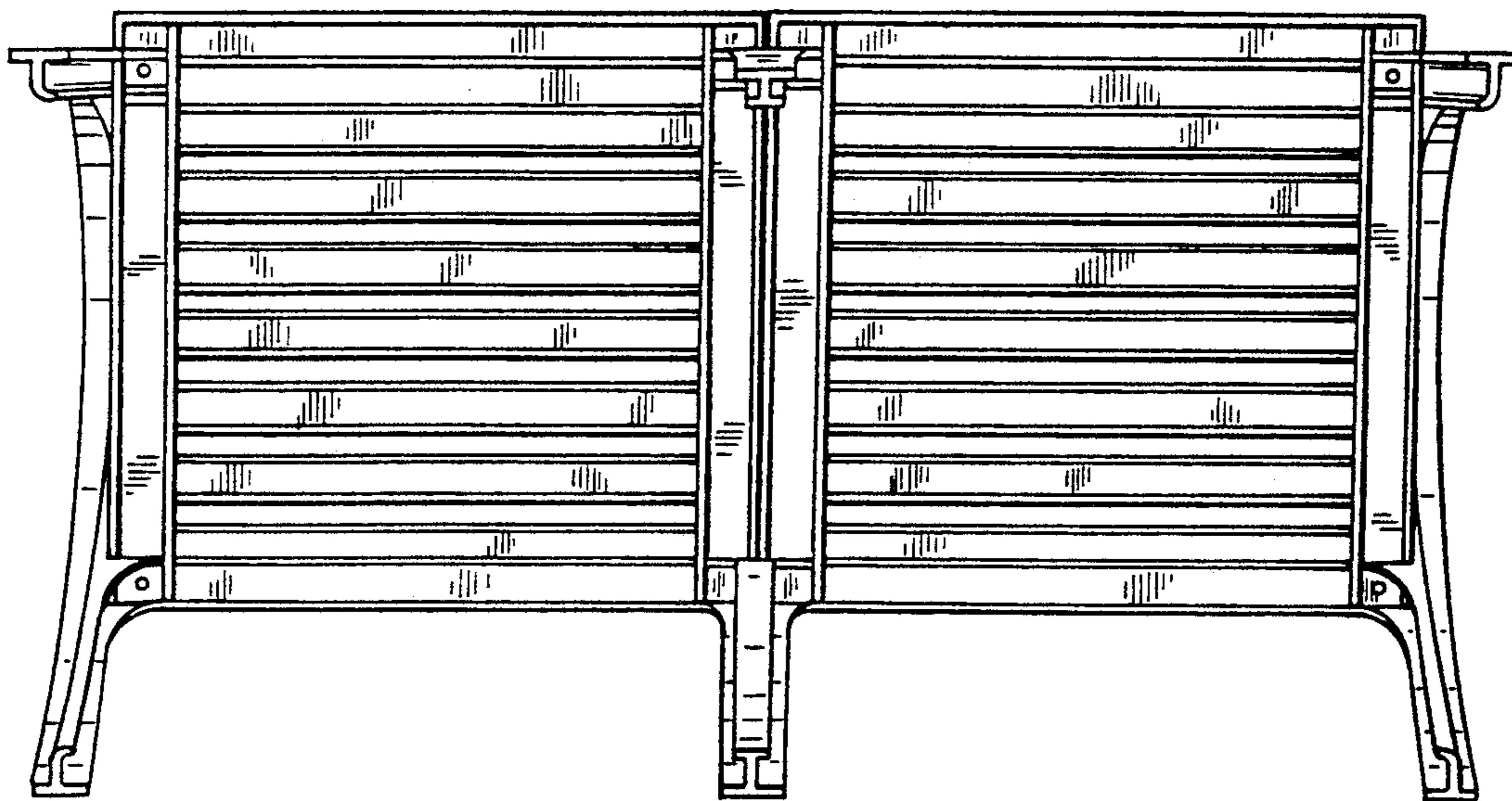


FIG. 6