



US00D331512S

United States Patent [19]

Bennett

[11] Patent Number: **Des. 331,512**

[45] Date of Patent: **** Dec. 8, 1992**

[54] TABLE

[76] Inventor: **Ward Bennett**, One West 72nd St.,
New York, N.Y. 10023

[**] Term: **14 Years**

[21] Appl. No.: **577,625**

[22] Filed: **Sep. 5, 1990**

[52] U.S. Cl. **D6/489; D6/487;**
D6/488

[58] Field of Search **D6/480-489,**
D6/495-499, 429-431, 455, 441; 108/115, 116,
121, 146

[56] **References Cited**

U.S. PATENT DOCUMENTS

D. 139,869	1/1945	McDonald	D6/488
D. 182,037	2/1958	Noguchi	D6/487
D. 238,890	2/1976	Cassina	D6/487
D. 267,610	1/1983	Reisteffe et al.	D6/487
D. 318,586	7/1991	Kleinschmidt	D6/482 X
2,768,866	10/1956	Amber	108/115

OTHER PUBLICATIONS

Interiors—Dec. 1987, p. 146, Table in center.

Primary Examiner—Nelson C. Holtje

Assistant Examiner—Janice E. Seeger

Attorney, Agent, or Firm—Hoffman, Wasson & Gitler

[57] CLAIM

The ornamental design for a table, as shown and described.

DESCRIPTION

FIG. 1 is a top plan view of a table, showing my new design;

FIG. 2 is a front elevational view;

FIG. 3 is a bottom plan view;

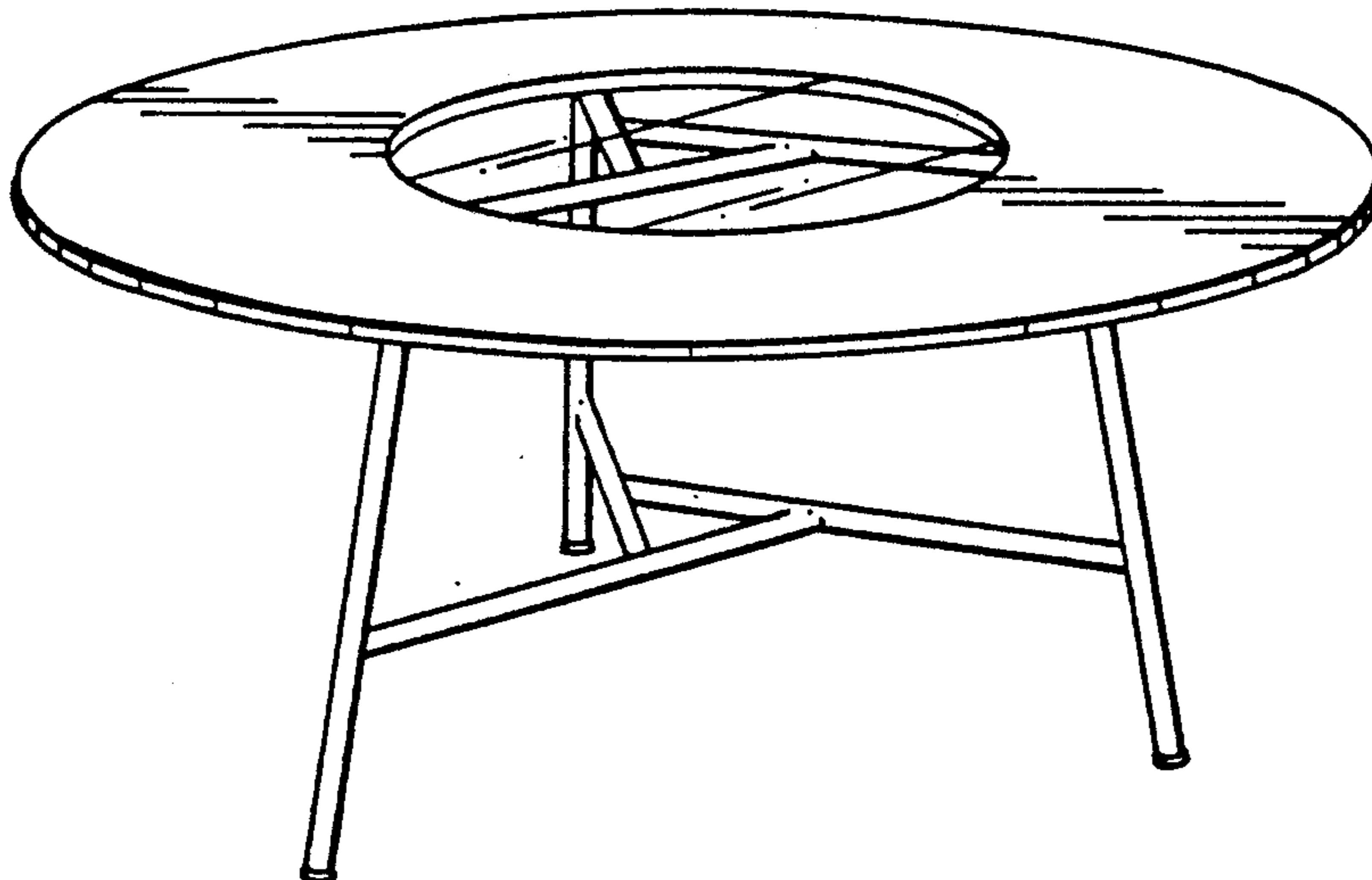
FIG. 4 is a side elevational view;

FIG. 5 is an elevational view, showing the side not shown in FIG 4;

FIG. 6 is a rear elevational view;

FIG. 7 is a perspective view; and,

FIG. 8 is a perspective view of a table, showing an alternate embodiment of my new design.



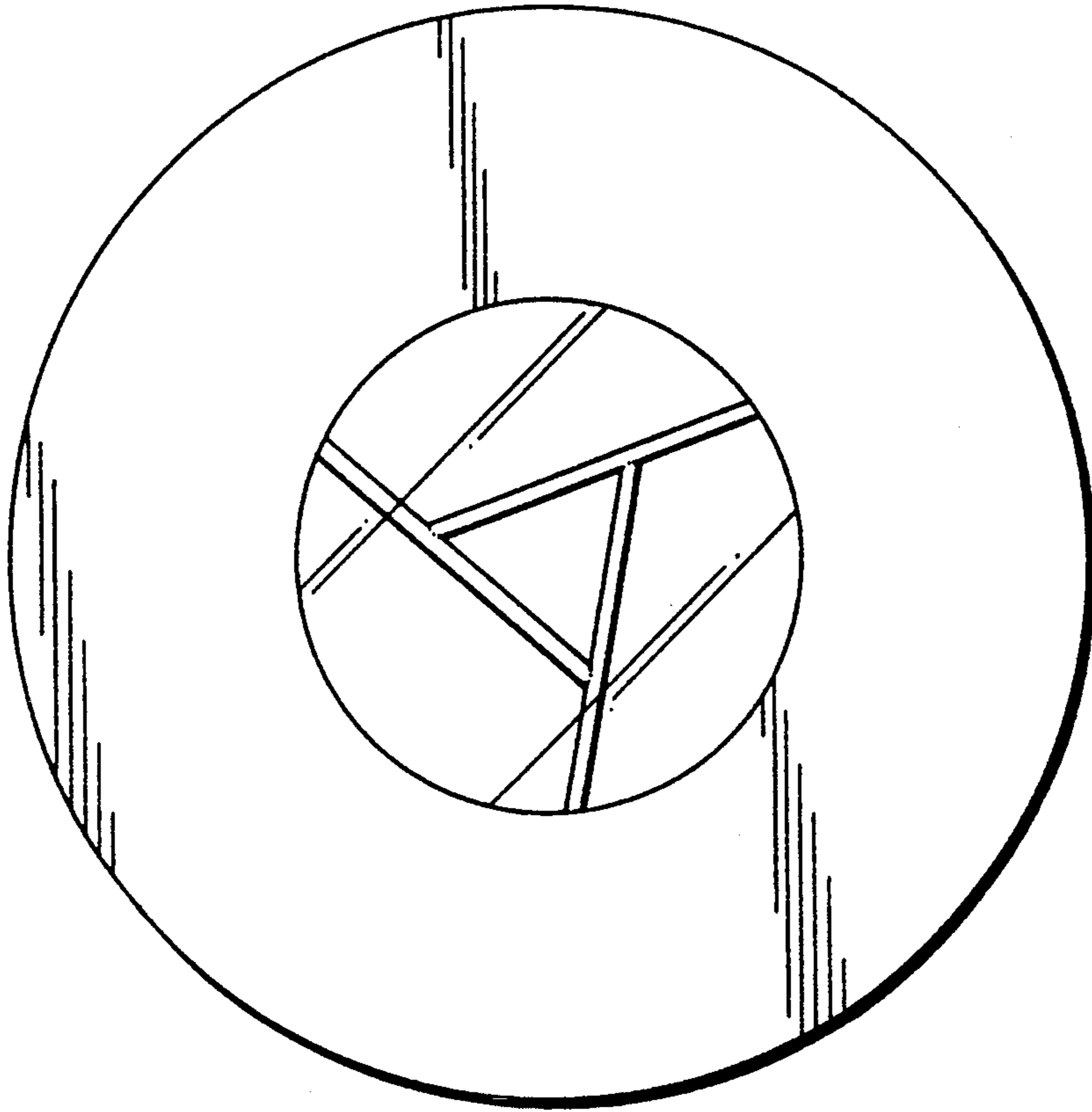


FIG. 1

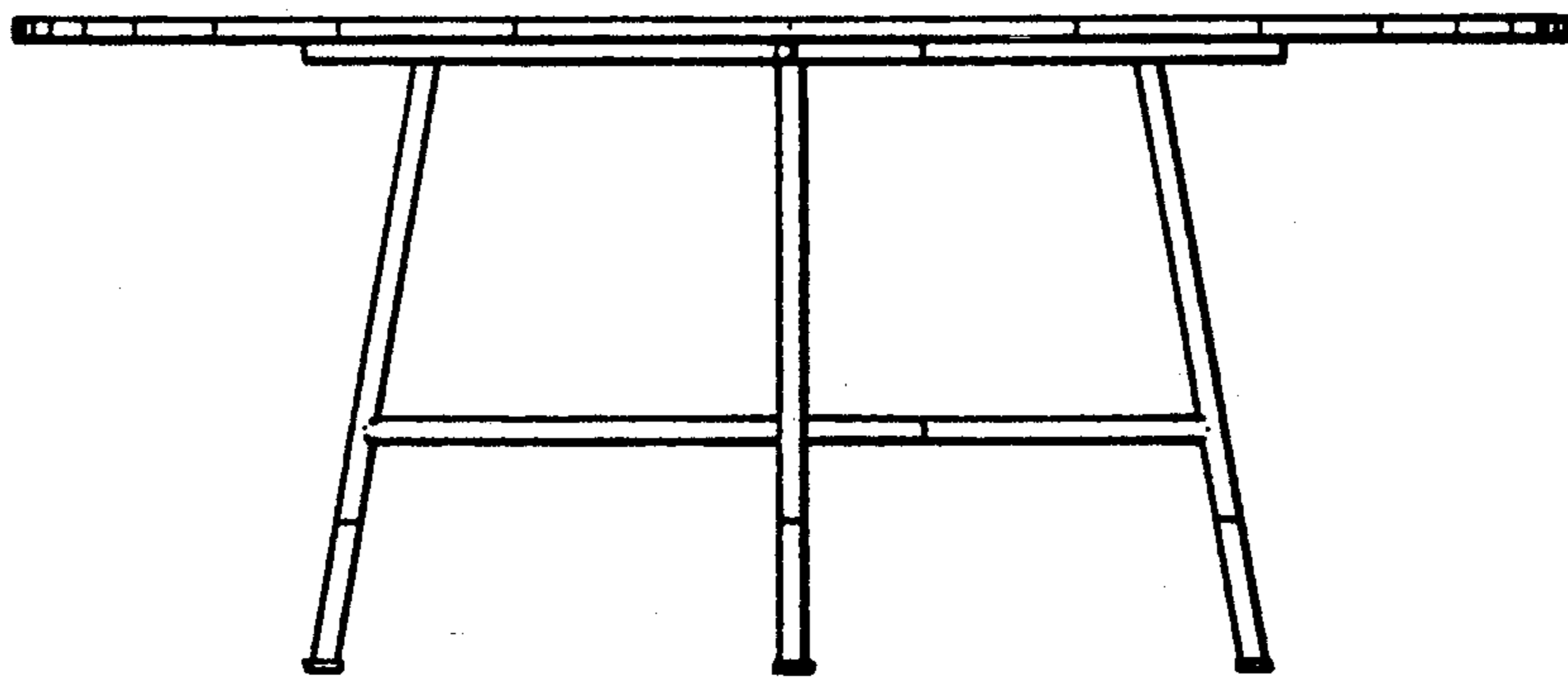


FIG. 2

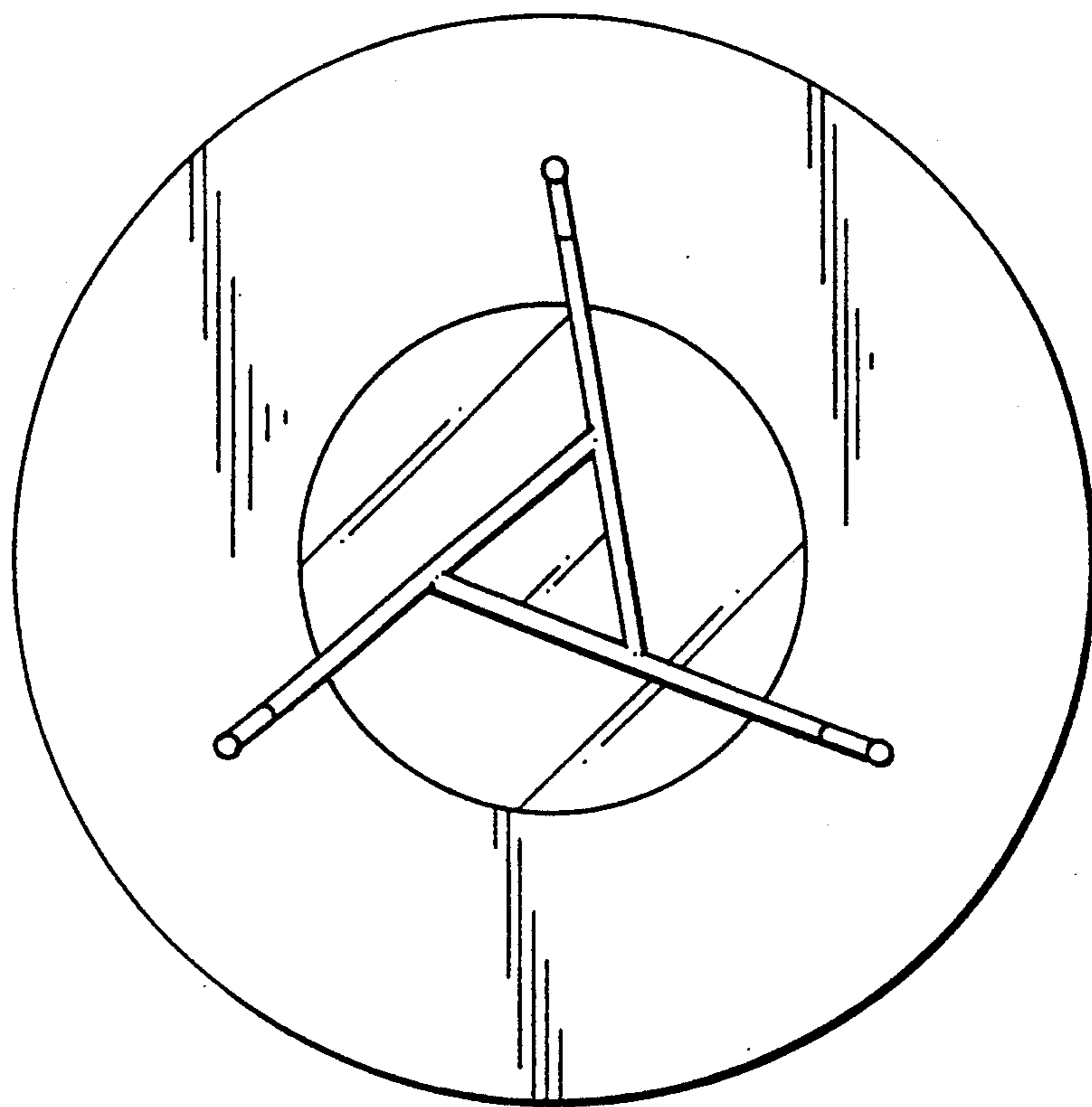


FIG. 3

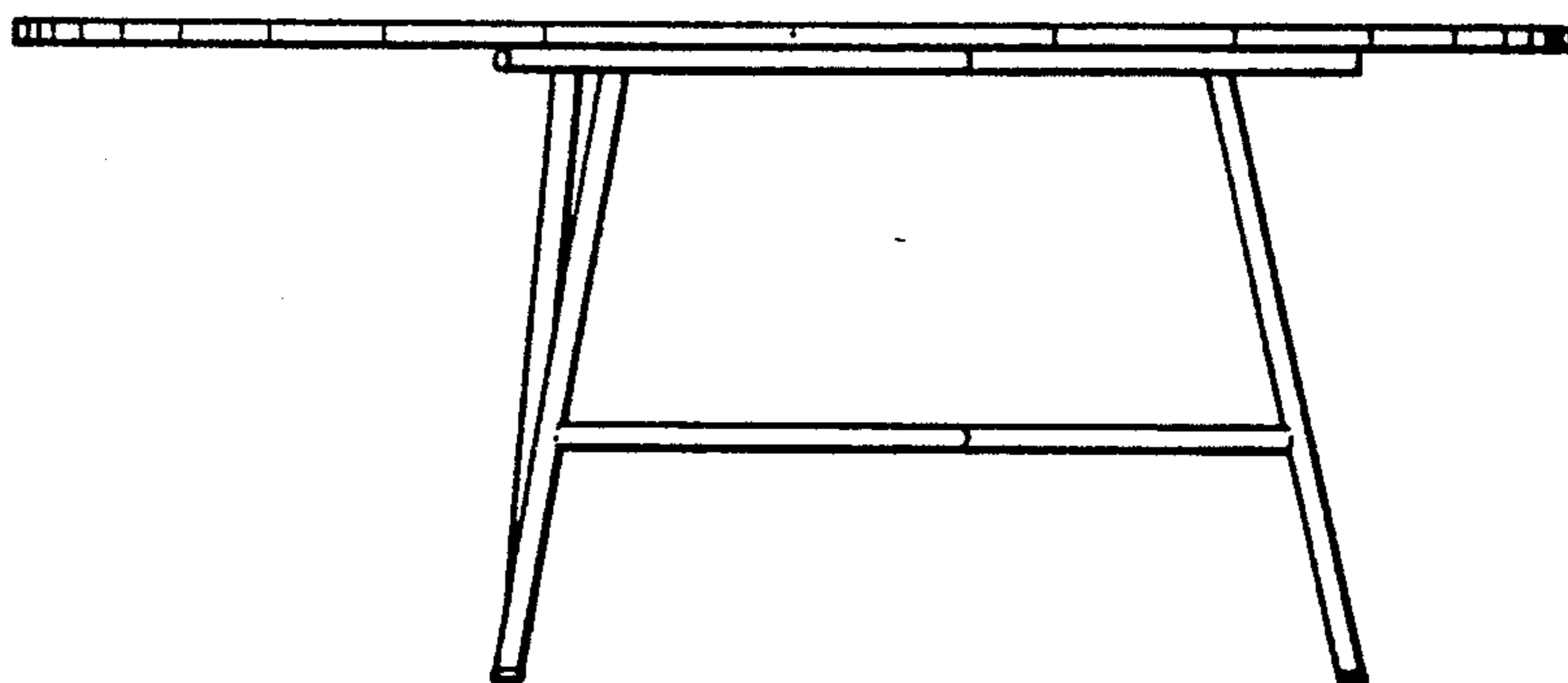


FIG. 4

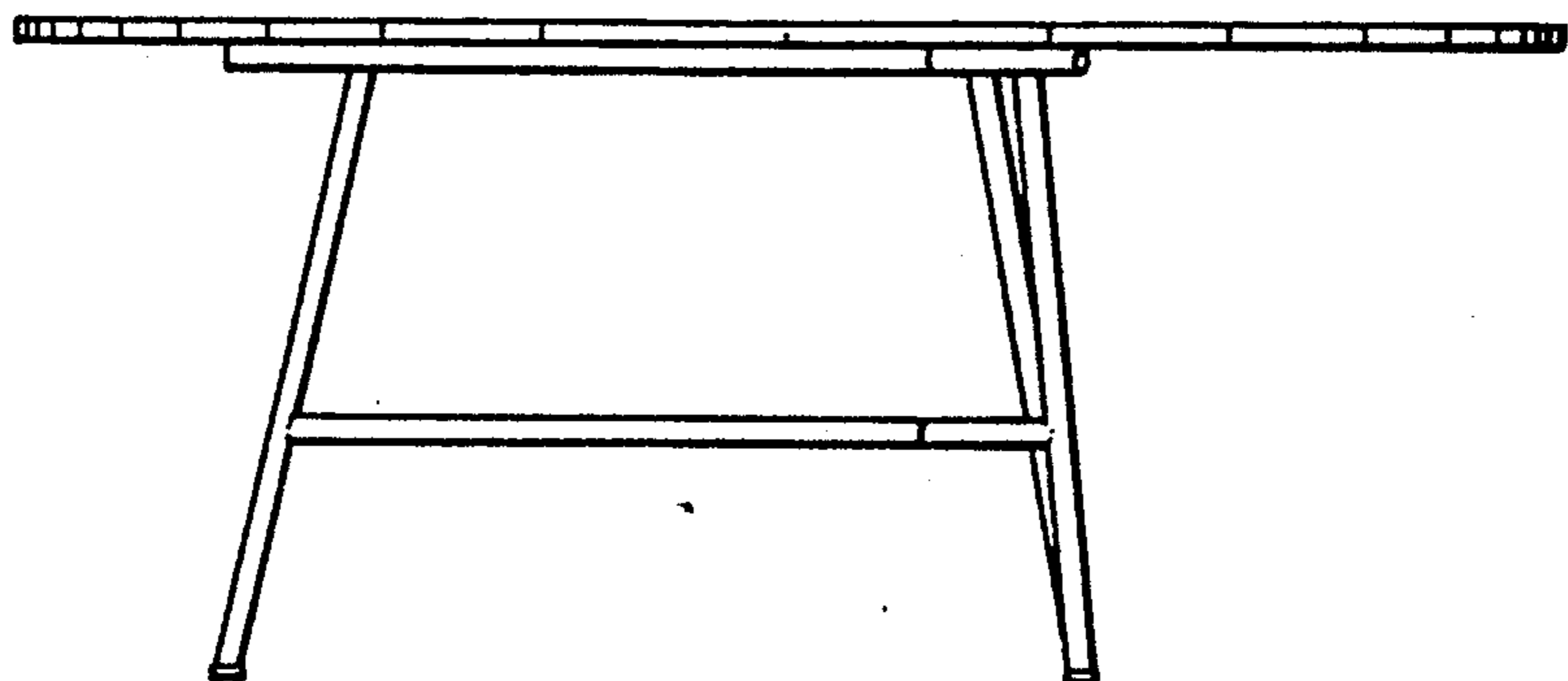


FIG. 5

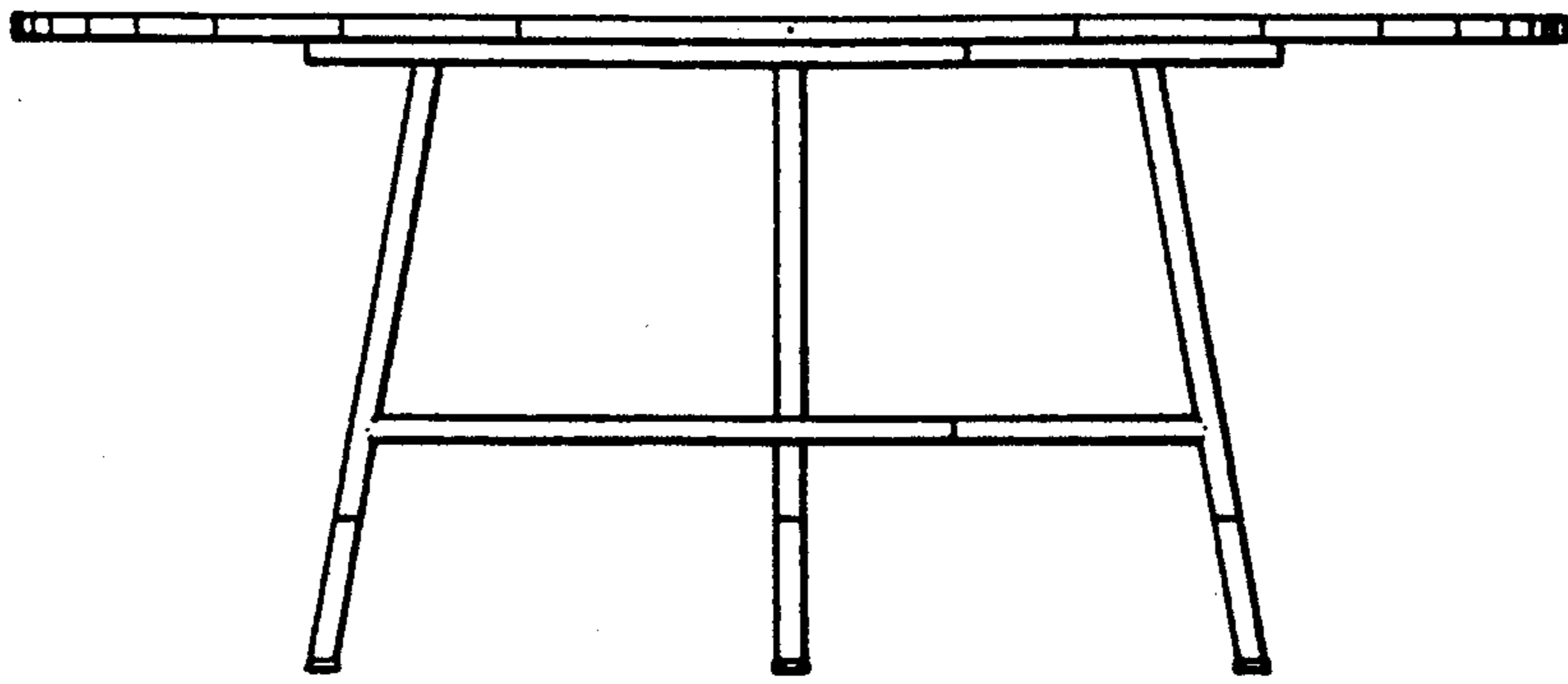


FIG. 6

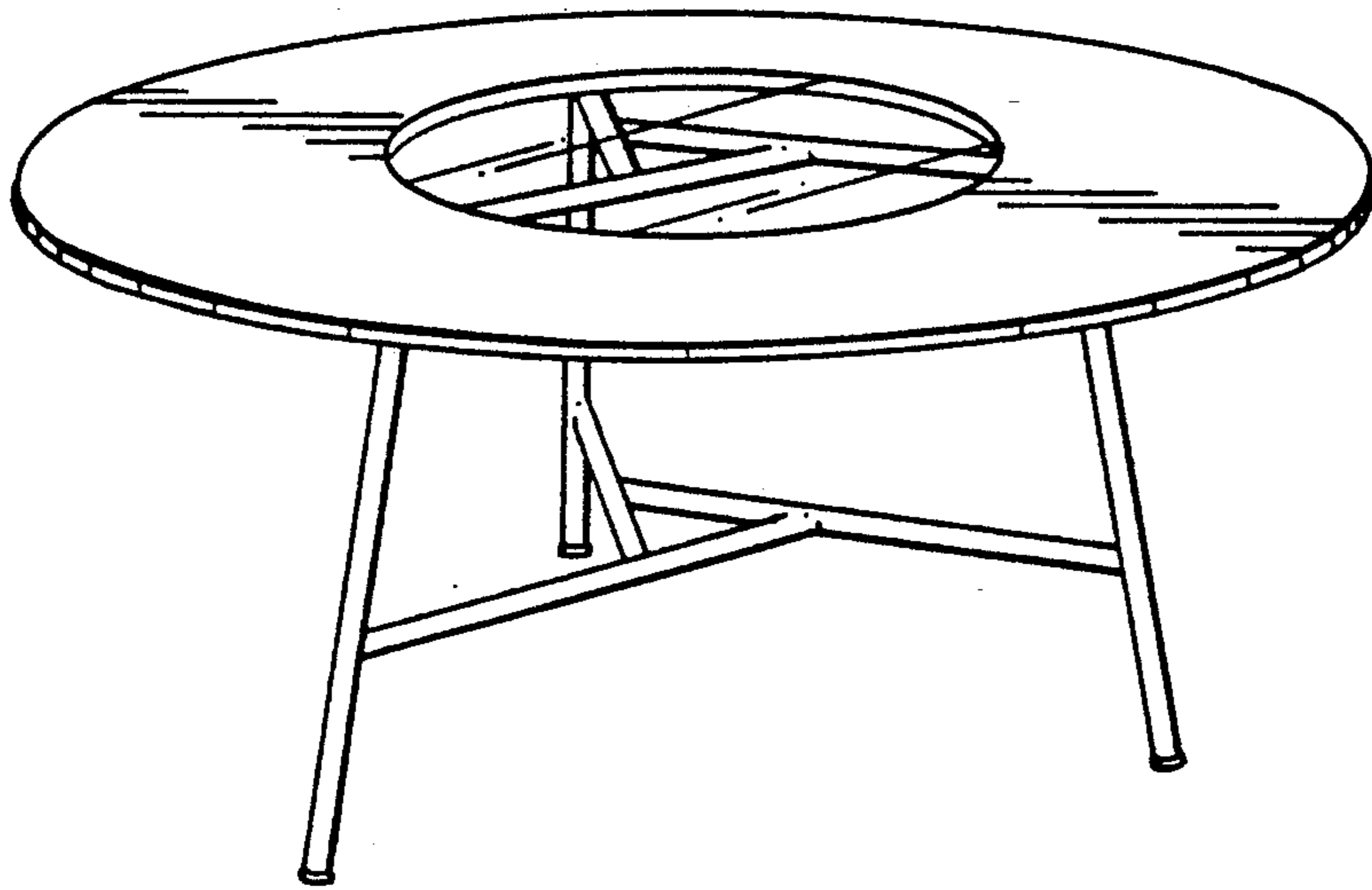


FIG. 7

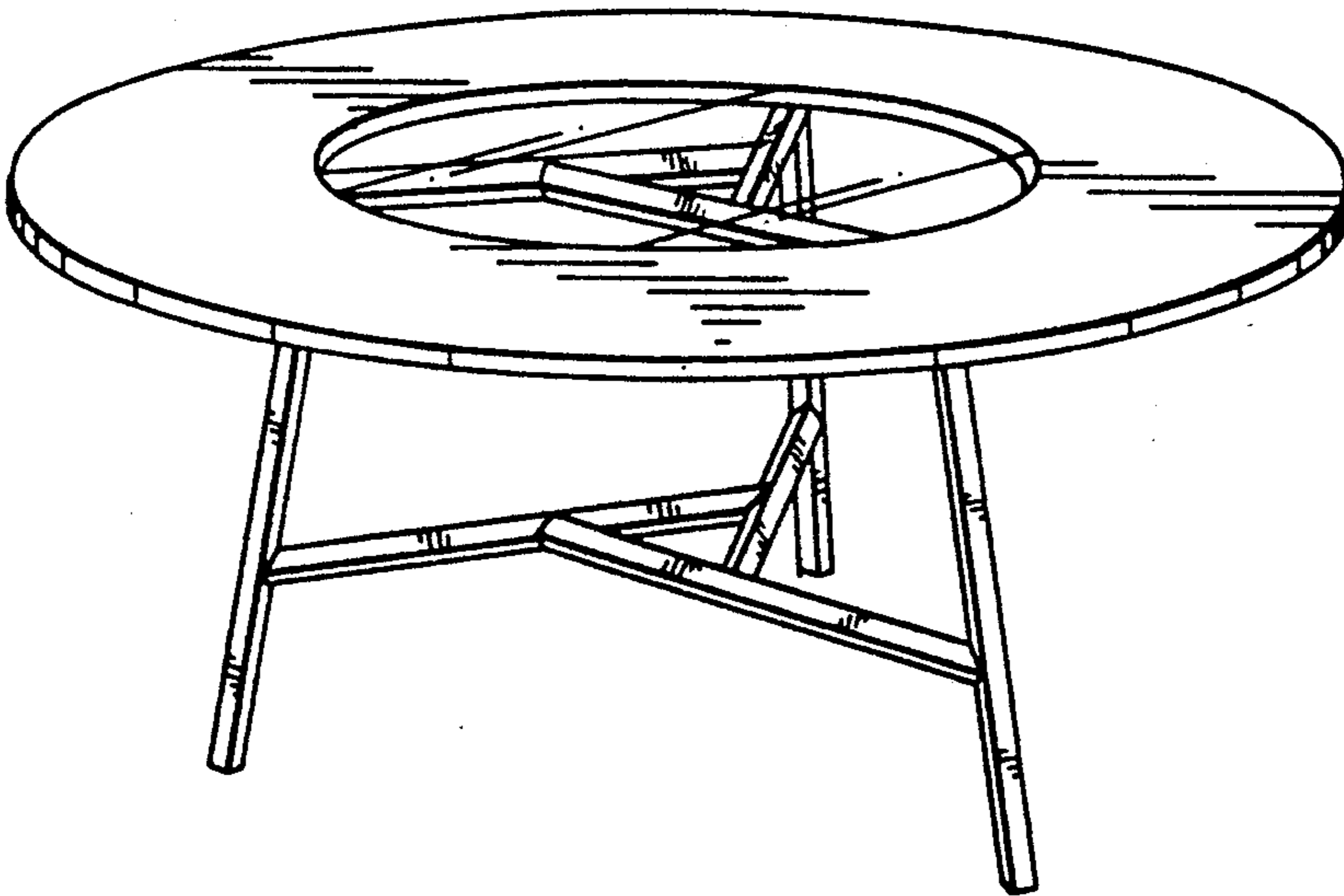


FIG. 8