



US00D331504S

United States Patent [19]

[11] Patent Number: **Des. 331,504**

Shepherd

[45] Date of Patent: **** Dec. 8, 1992**

- [54] DESK
- [75] Inventor: **Donald A. Shepherd, Spring Lake, Mich.**
- [73] Assignee: **Helikon Furniture Company, Inc., Taftville, Conn.**
- [**] Term: **14 Years**
- [21] Appl. No.: **501,177**
- [22] Filed: **Mar. 29, 1990**
- [52] U.S. Cl. **D6/428**
- [58] Field of Search **D6/419-428, D6/480, 484; 312/194-196; 108/59**

- D. 296,165 6/1988 Ferguson et al. .
- D. 311,833 11/1990 Newhouse D6/484

Primary Examiner—Carmen H. Vales-Lado
Attorney, Agent, or Firm—Varnum, Riddering, Schmidt & Howlett

[57] CLAIM

The ornamental design for a desk, as shown and described.

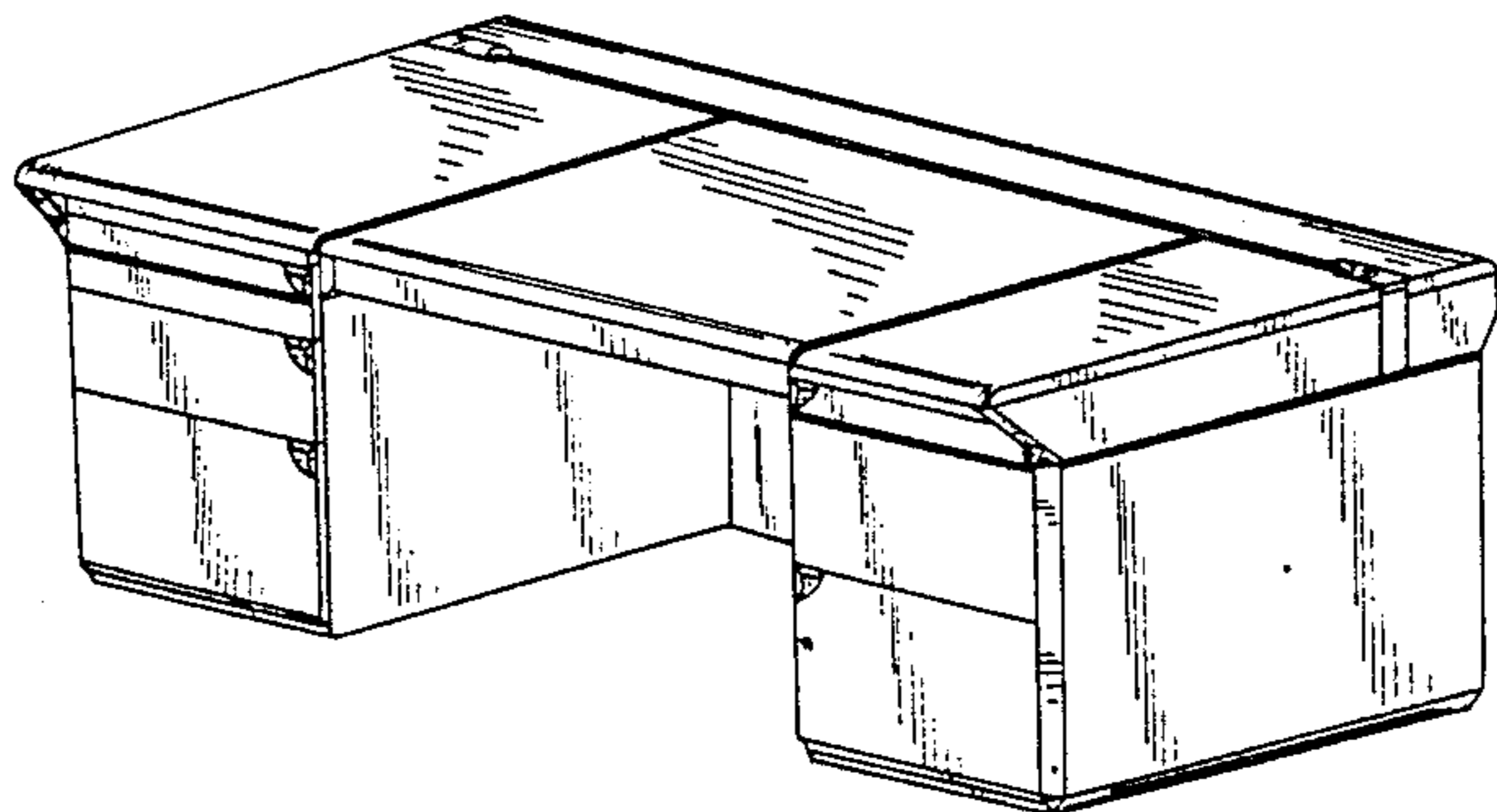
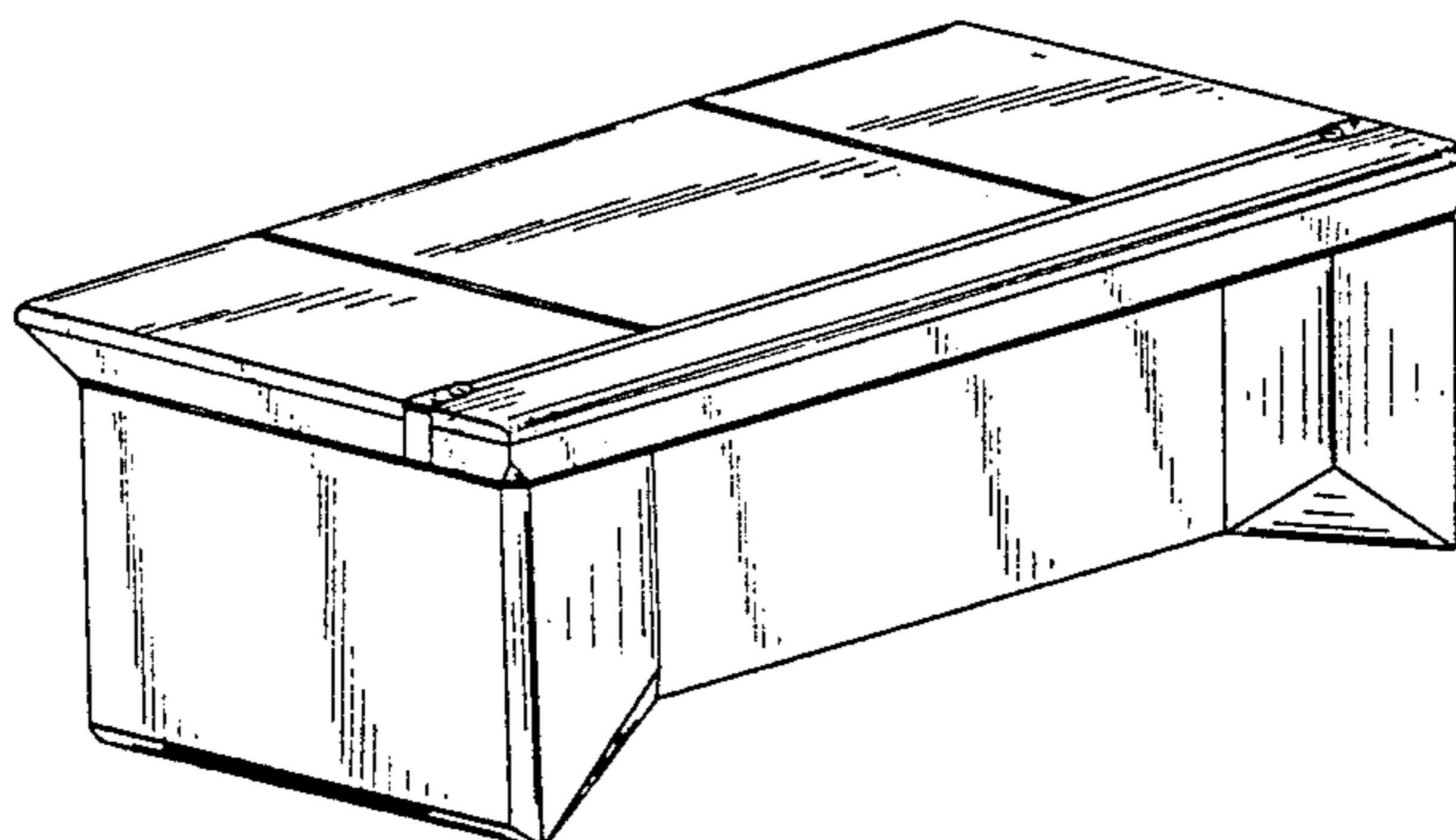
DESCRIPTION

FIG. 1 is a rear perspective view of a desk showing my new design;
 FIG. 2 is a front perspective view thereof;
 FIG. 3 is a front elevational view thereof;
 FIG. 4 is a rear elevational view thereof;
 FIG. 5 is a right end elevational view thereof;
 FIG. 6 is a left end elevational view thereof;
 FIG. 7 is a top plan view thereof;
 FIG. 8 is a bottom plan view thereof;
 FIG. 9 is an enlarged, fragmentary perspective view of the top right front corner in FIG. 2;
 FIG. 10 is an enlarged, fragmentary perspective view of the top right corner in FIG. 6;
 FIG. 11 is an enlarged, fragmentary perspective view of the top rear corner in FIG. 1;
 FIG. 12 is an enlarged, fragmentary perspective view of the bottom front corner in FIG. 2;
 FIG. 13 is a front perspective view of a modified form of the desk shown in FIG. 1; the opposite side being a mirror image thereof;
 FIG. 14 is a rear elevational view of the modified form of the desk shown in FIG. 13; and,
 FIG. 15 is a bottom plan view of the modified form of the desk shown in FIG. 13.

[56] References Cited

U.S. PATENT DOCUMENTS

- D. 90,690 9/1933 Wilson .
- D. 101,179 9/1936 Skobel .
- D. 119,845 4/1940 Greenberg .
- D. 142,097 8/1945 Lindgren et al. D6/428
- D. 142,470 10/1945 Cormish D6/428
- D. 147,611 10/1947 Brenner .
- D. 154,976 8/1949 Baird .
- D. 169,940 6/1953 Jacobson et al. .
- D. 171,630 3/1954 Zimmermann .
- D. 243,979 4/1977 Carter .
- D. 260,834 9/1981 Platner .
- D. 267,689 1/1983 Platner .
- D. 267,846 2/1983 Platner .
- D. 289,954 5/1987 Worrell et al. .
- D. 290,198 6/1987 Barber .
- D. 292,151 10/1987 Becker D6/428
- D. 292,154 10/1987 Worrell et al. D6/484
- D. 292,760 11/1987 Worth et al. .
- D. 293,177 12/1987 Hamami D6/446
- D. 294,544 3/1988 Kyle D6/428



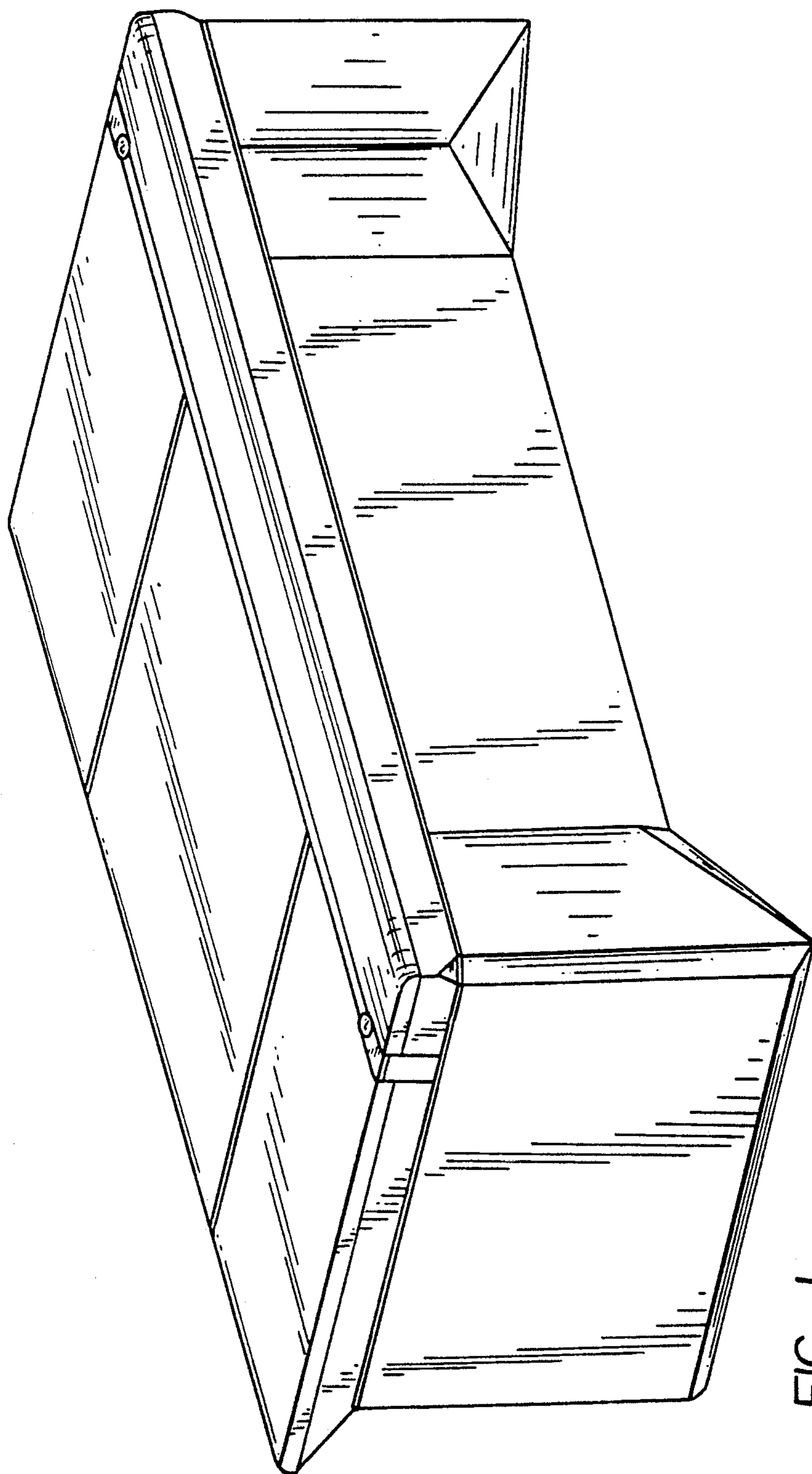


FIG. 1

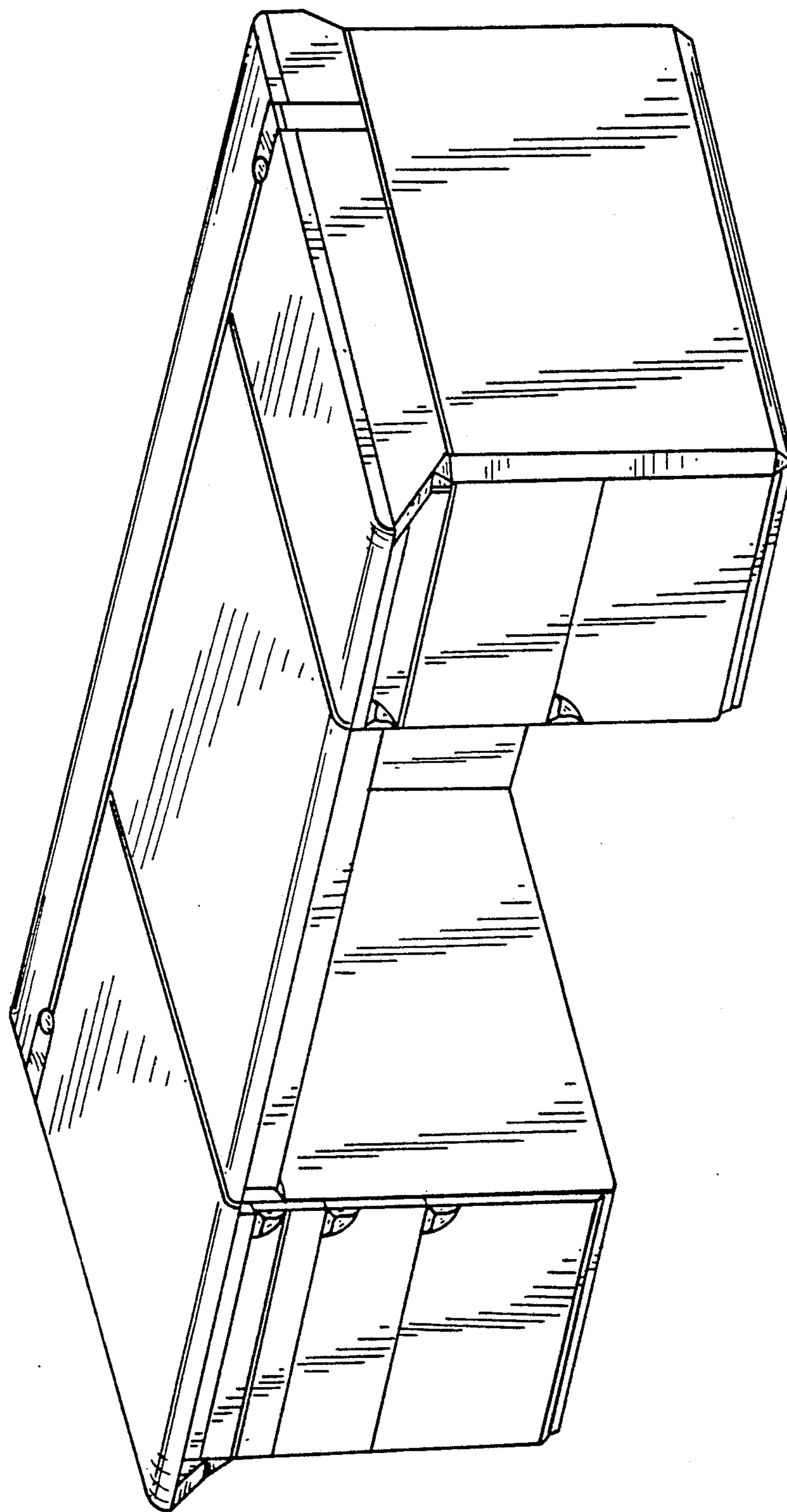


FIG. 2

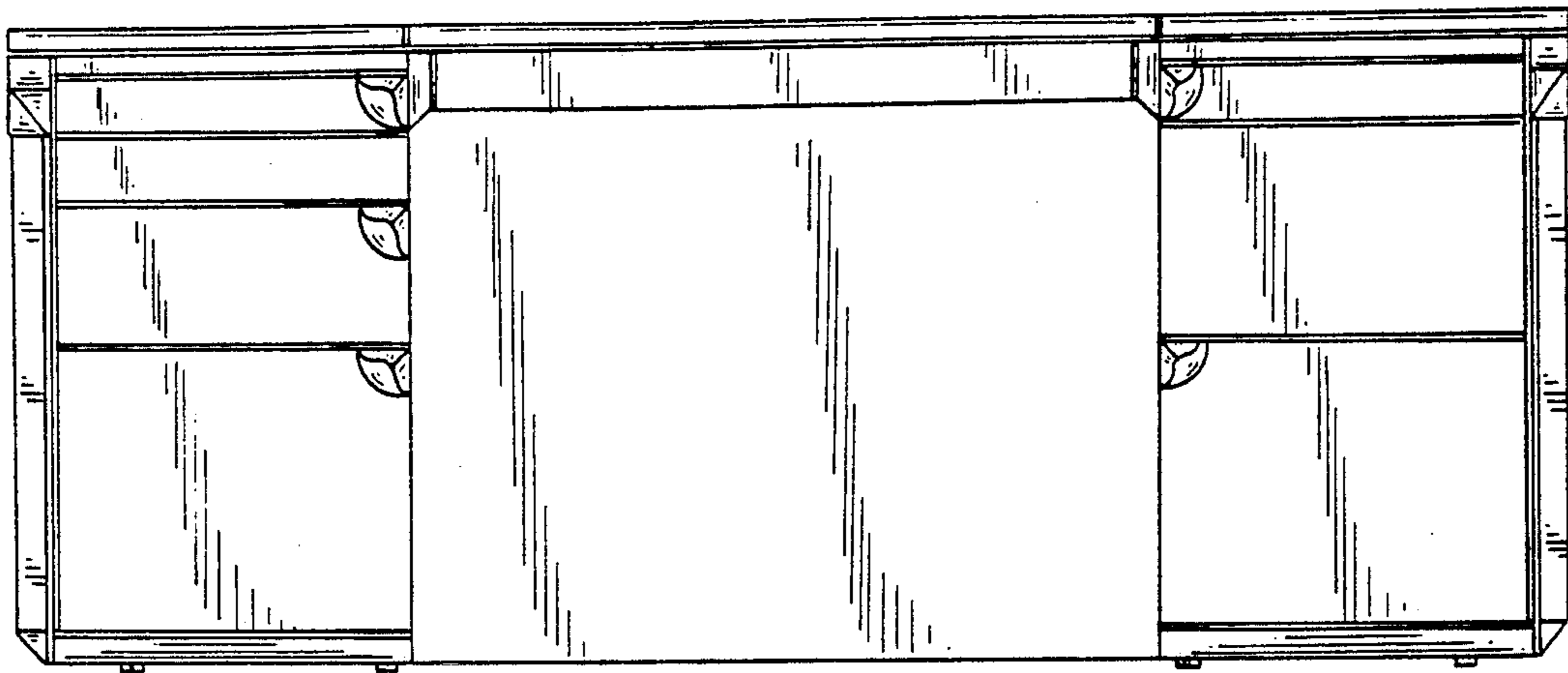


FIG. 3

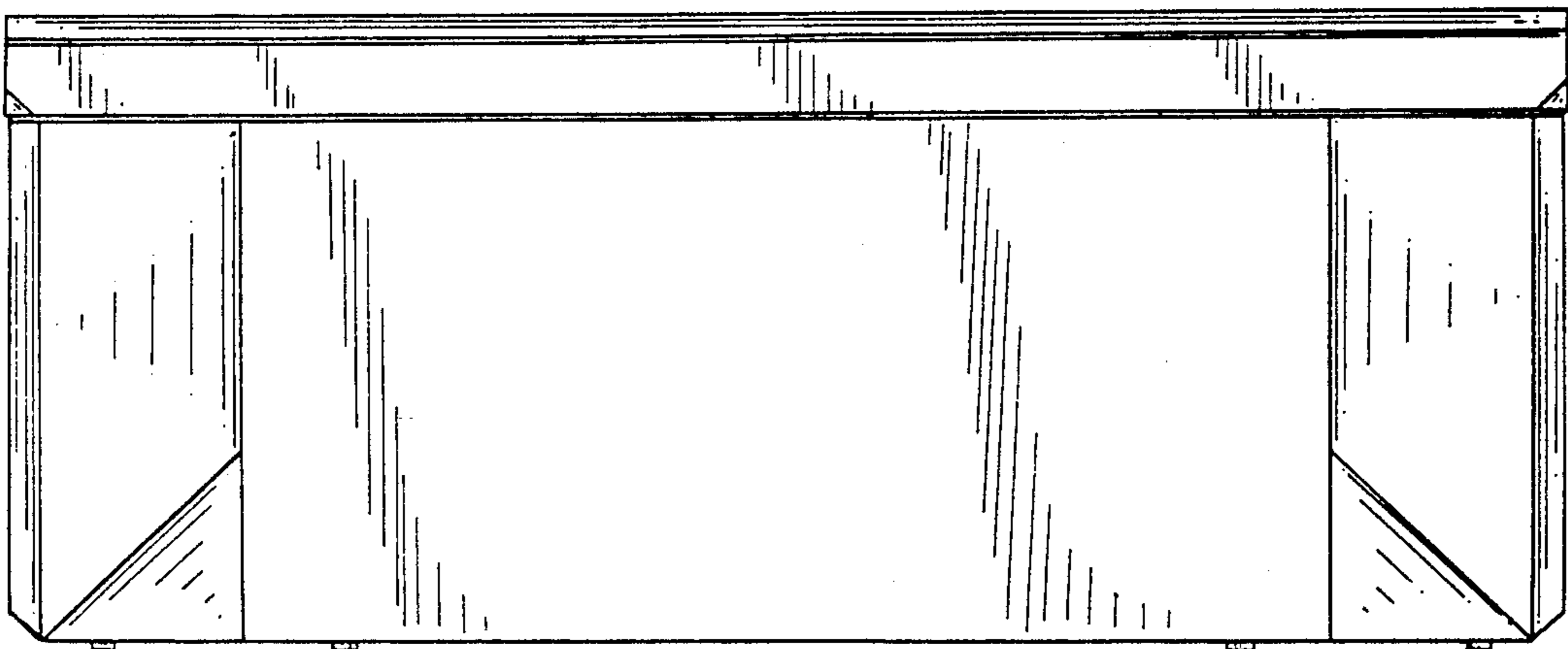


FIG. 4

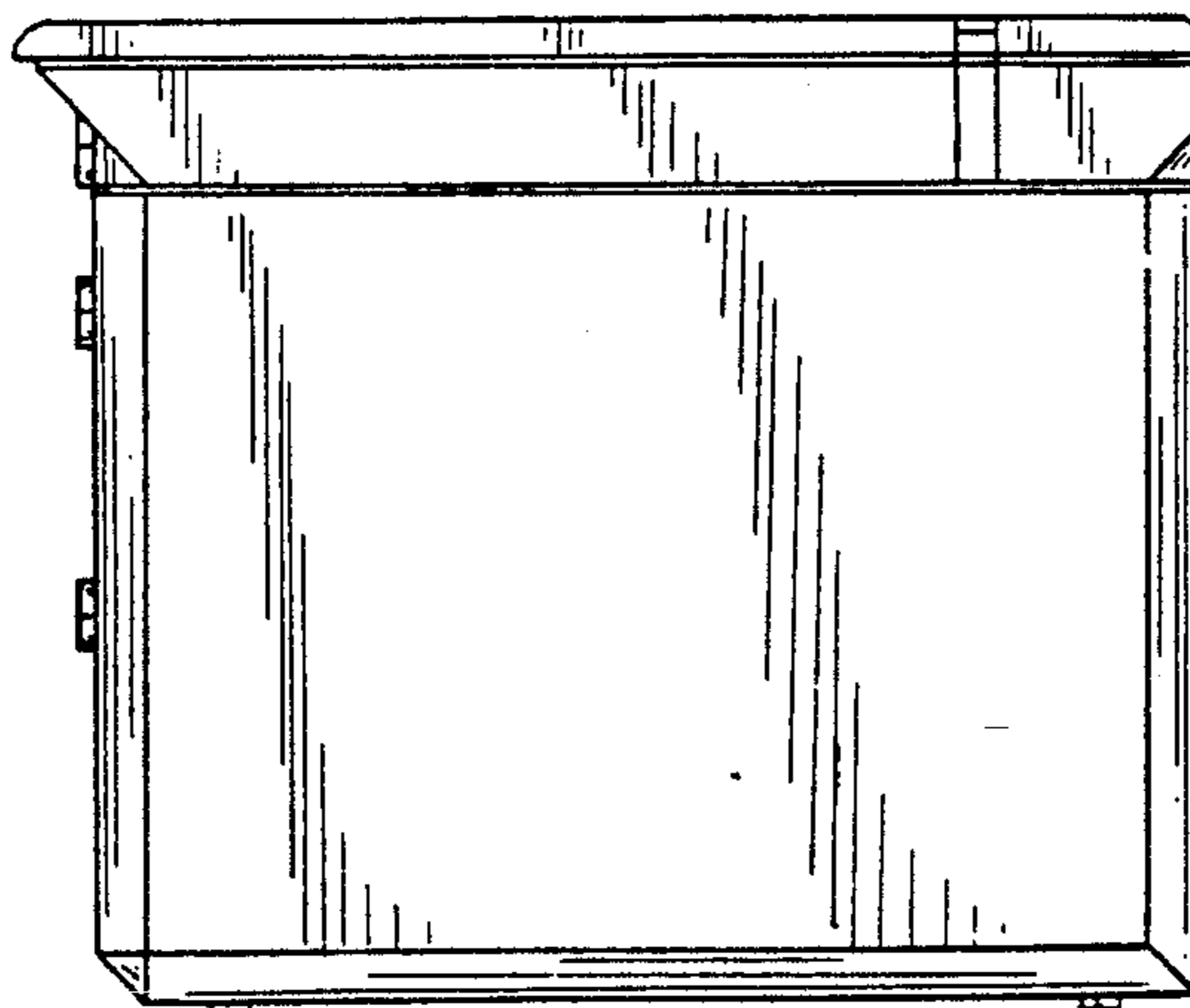


FIG. 5

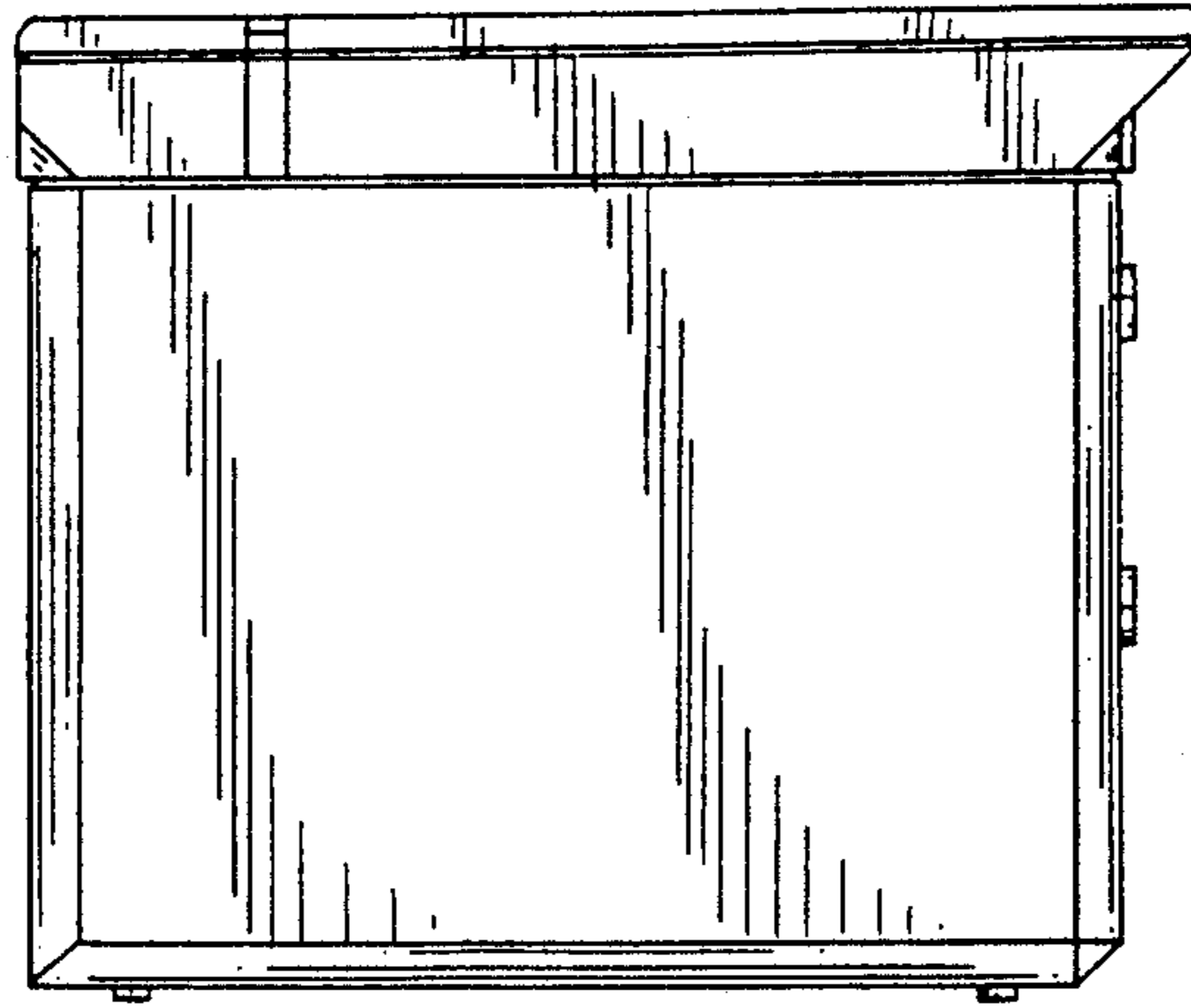


FIG. 6

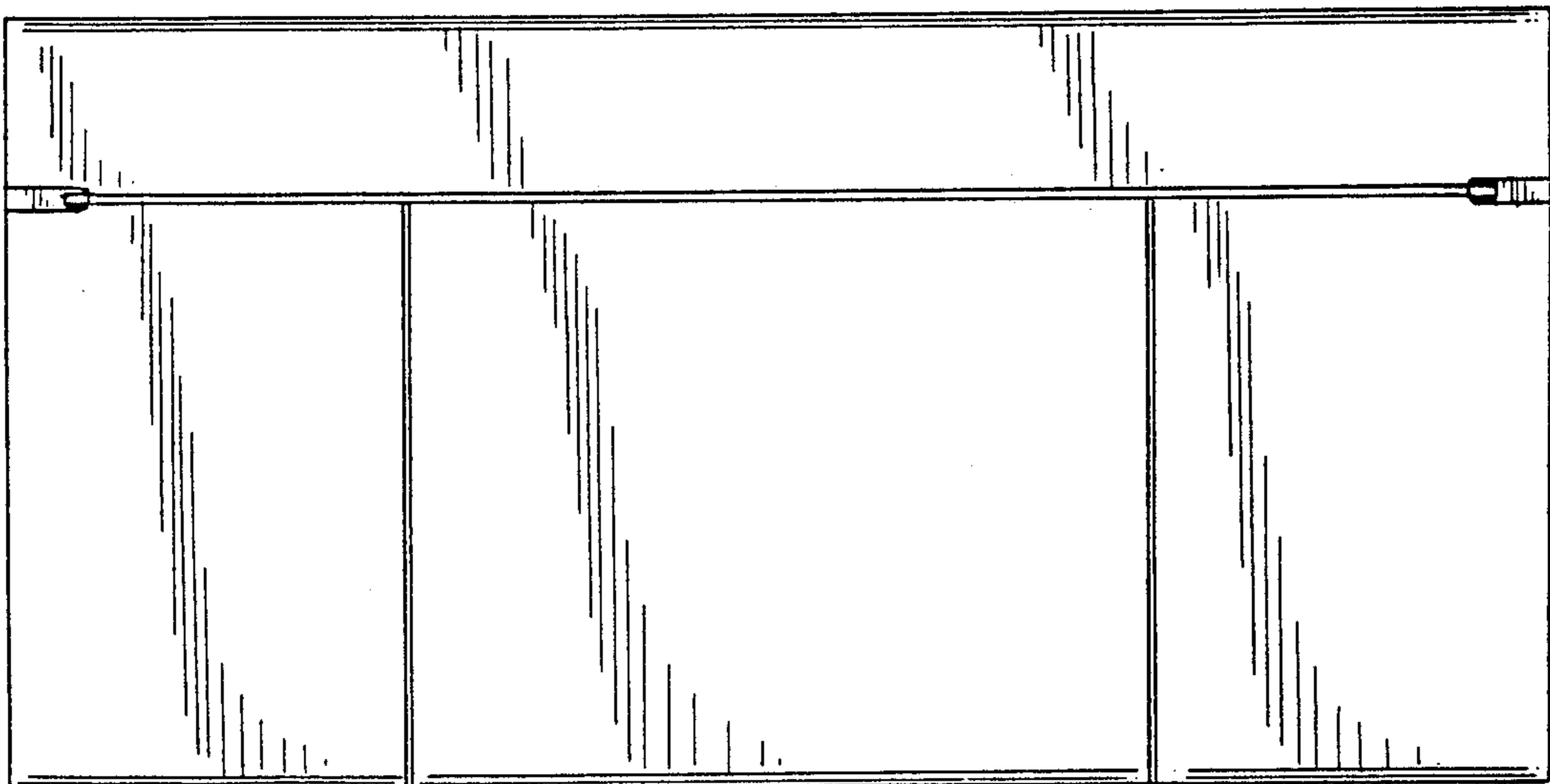


FIG. 7

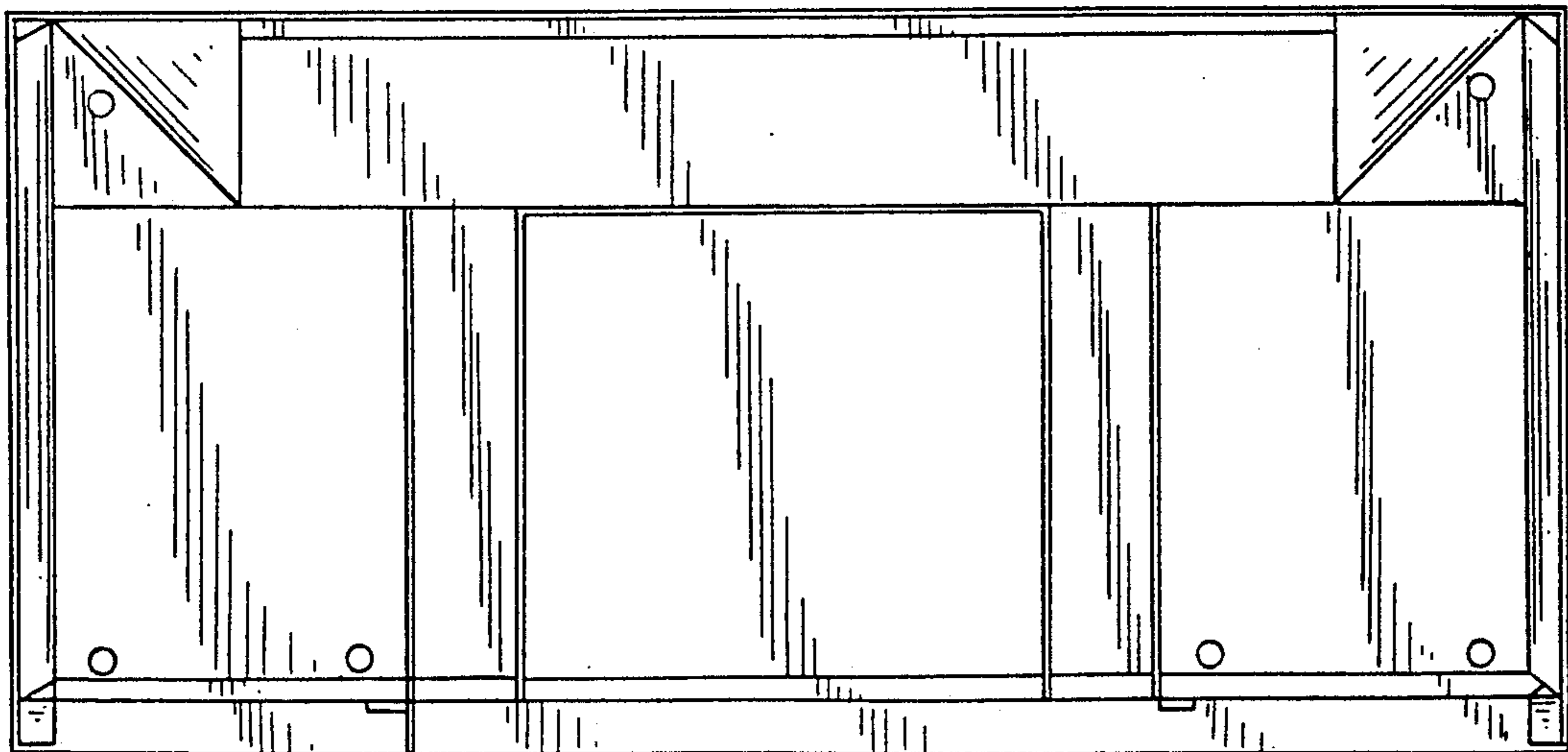


FIG. 8

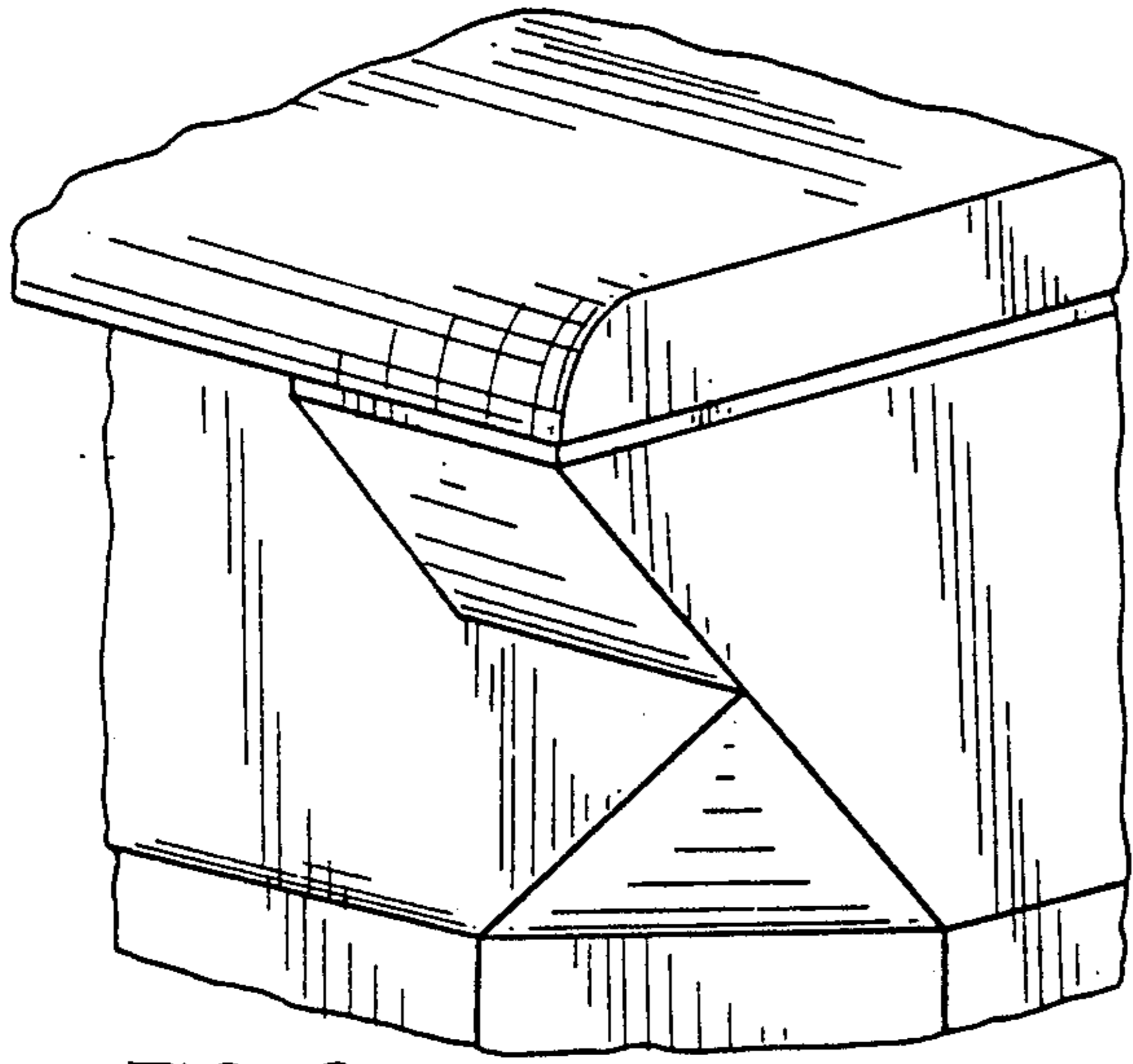


FIG. 9

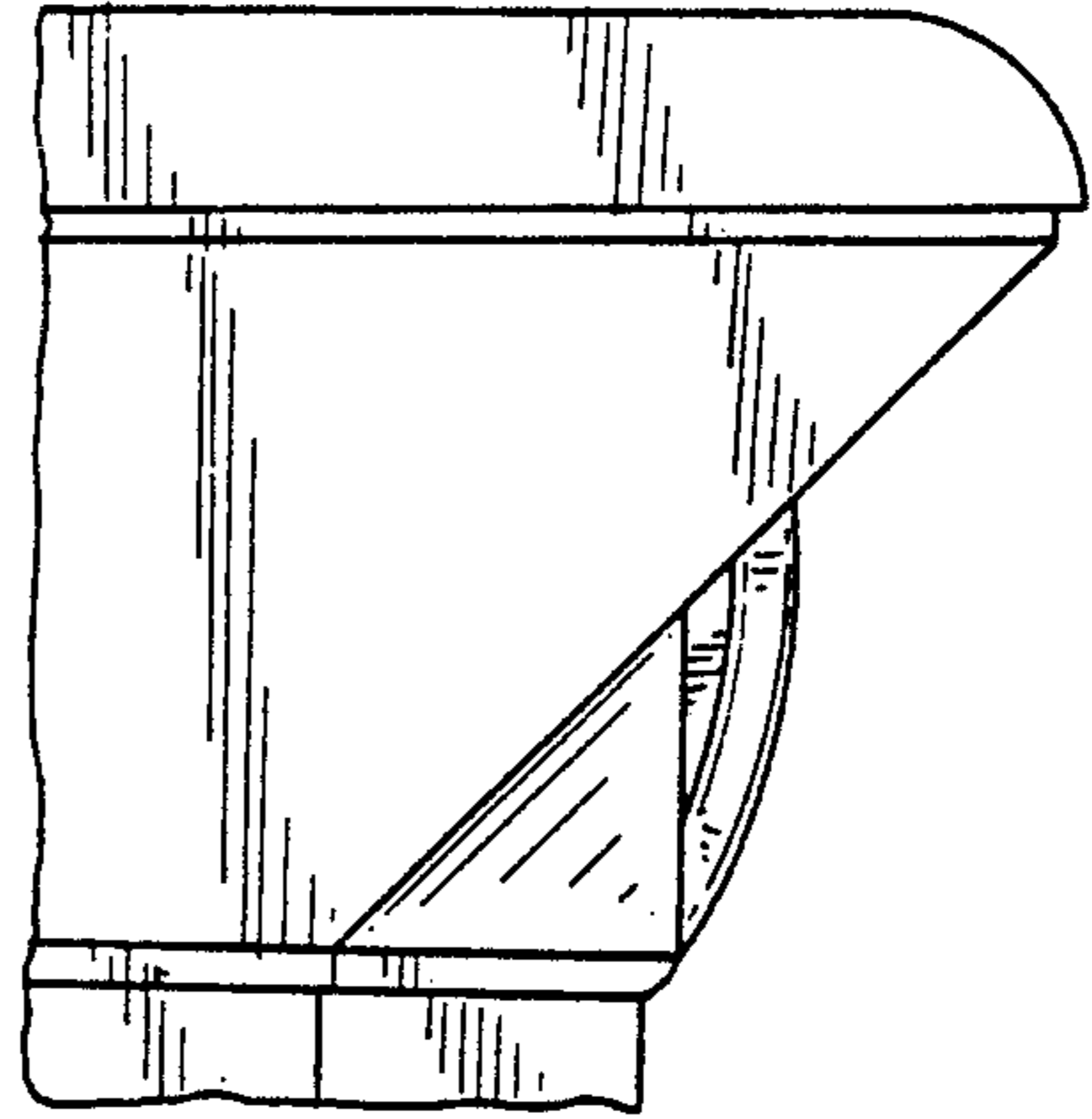


FIG. 10

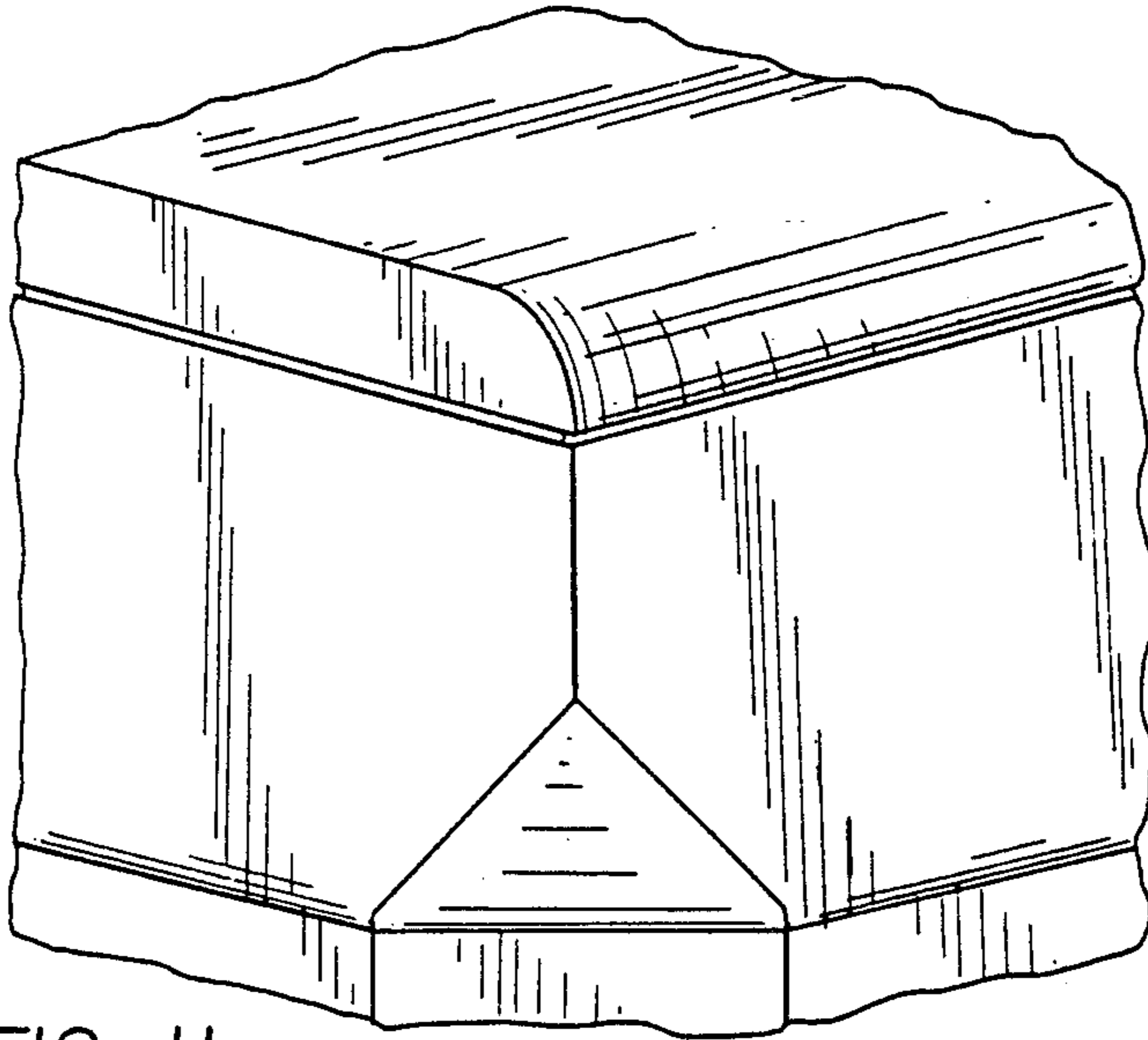


FIG. 11

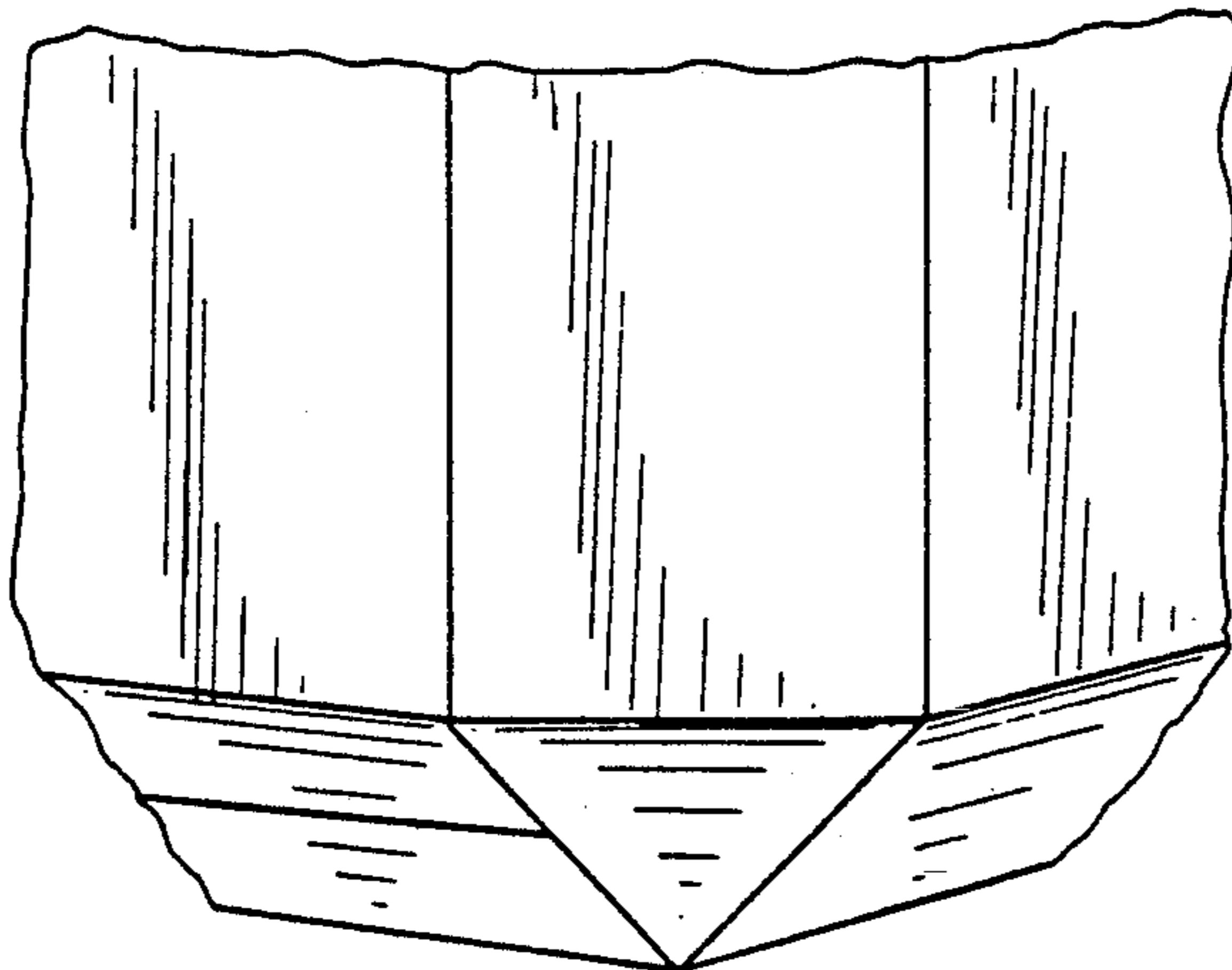


FIG. 12

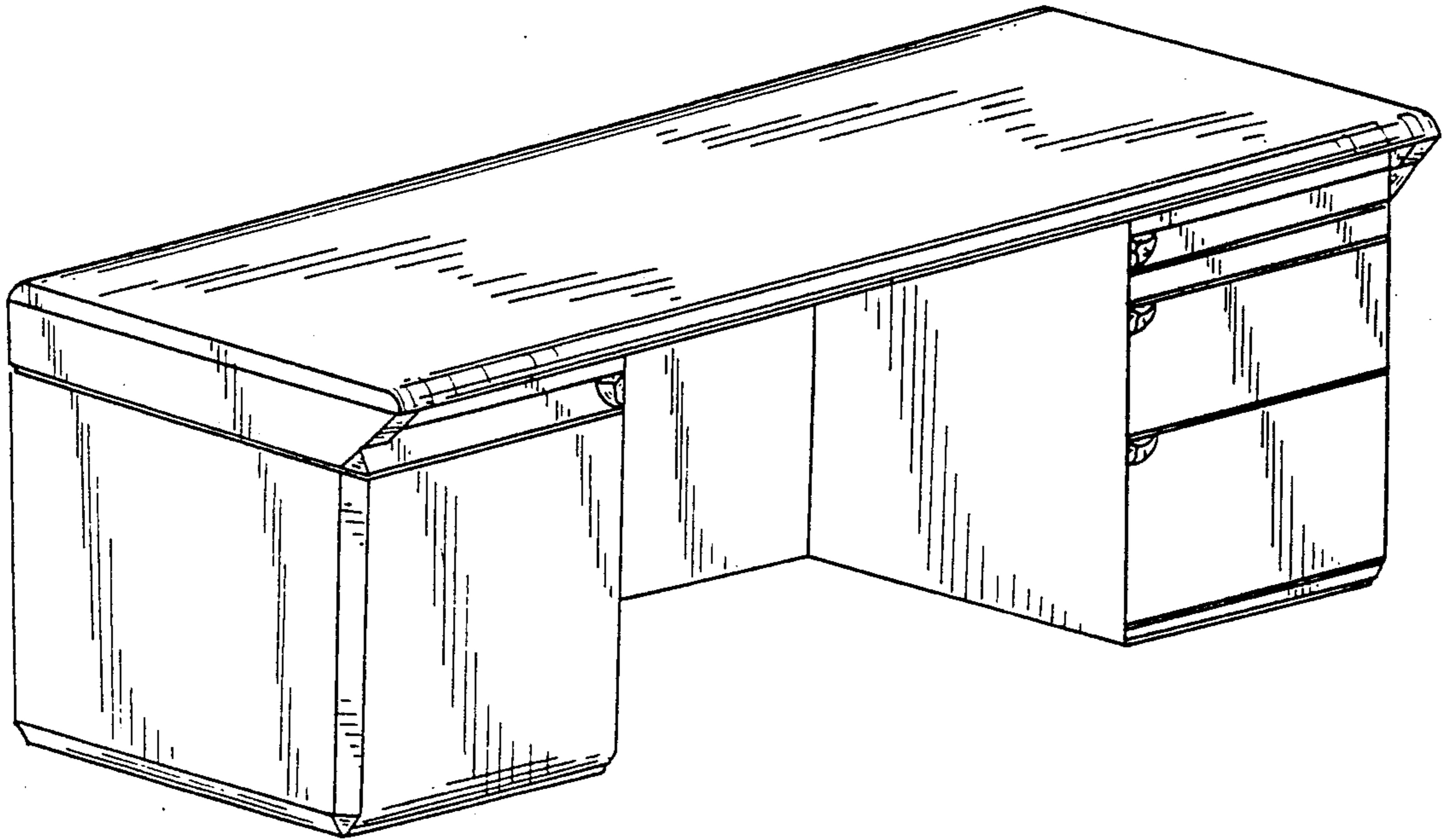


FIG. 13

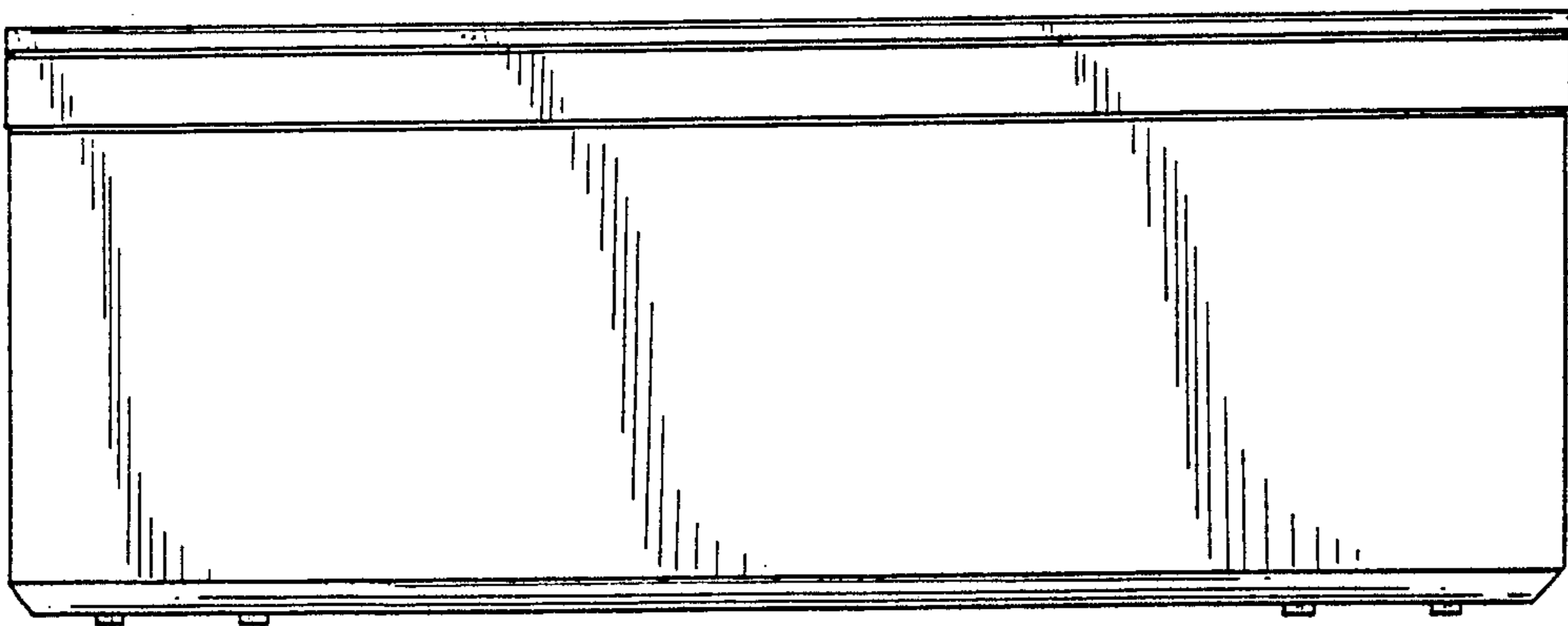


FIG. 14

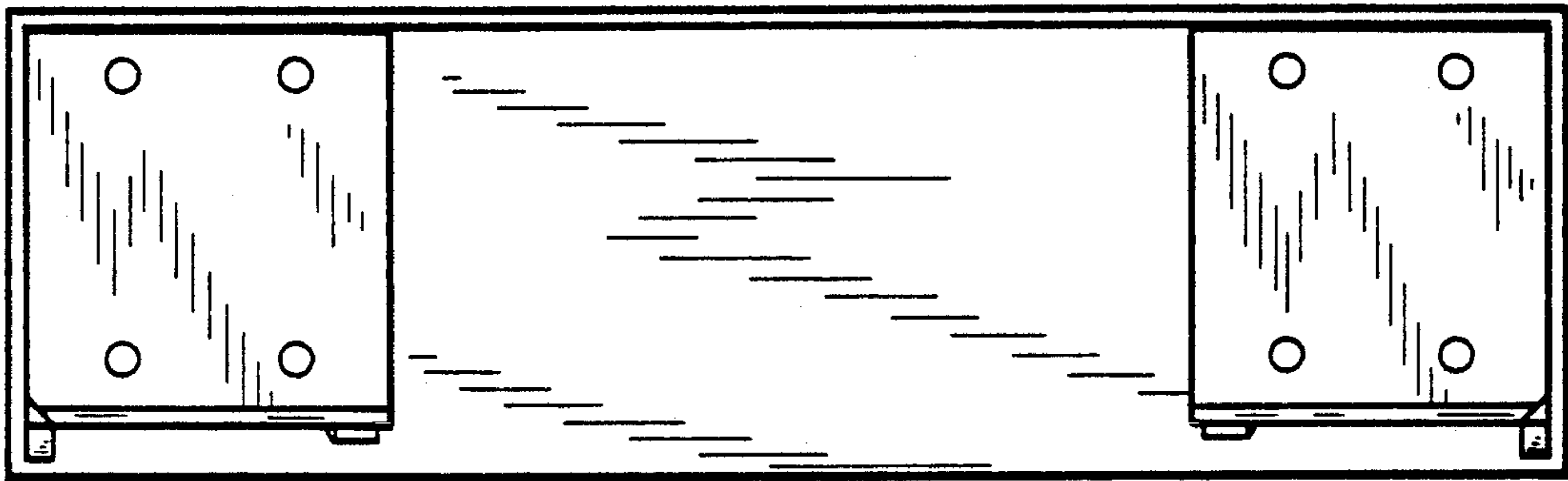


FIG. 15