



US00D331479S

United States Patent [19]

[11] Patent Number: **Des. 331,479**

Su

[45] Date of Patent: **** Dec. 1, 1992**

[54] **MULTIPLE WASTE CONTAINERS**

[76] Inventor: **Yao-Chang Su**, No. 6, Lane 117, Ho Li Rd., Ho Mei Chen, Chang Hua Hsien, Taiwan

[**] Term: **14 Years**

[21] Appl. No.: **637,741**

[22] Filed: **Jan. 3, 1991**

[52] U.S. Cl. **D34/7; D34/1**

[58] Field of Search **D34/1-11; 220/908, 909, 23.83; 232/43.2**

[56] **References Cited**

U.S. PATENT DOCUMENTS

3,981,436	9/1976	Neal	232/43.2
4,919,295	4/1990	Hitzler	220/23.83
5,056,681	10/1991	Howes	220/23.83

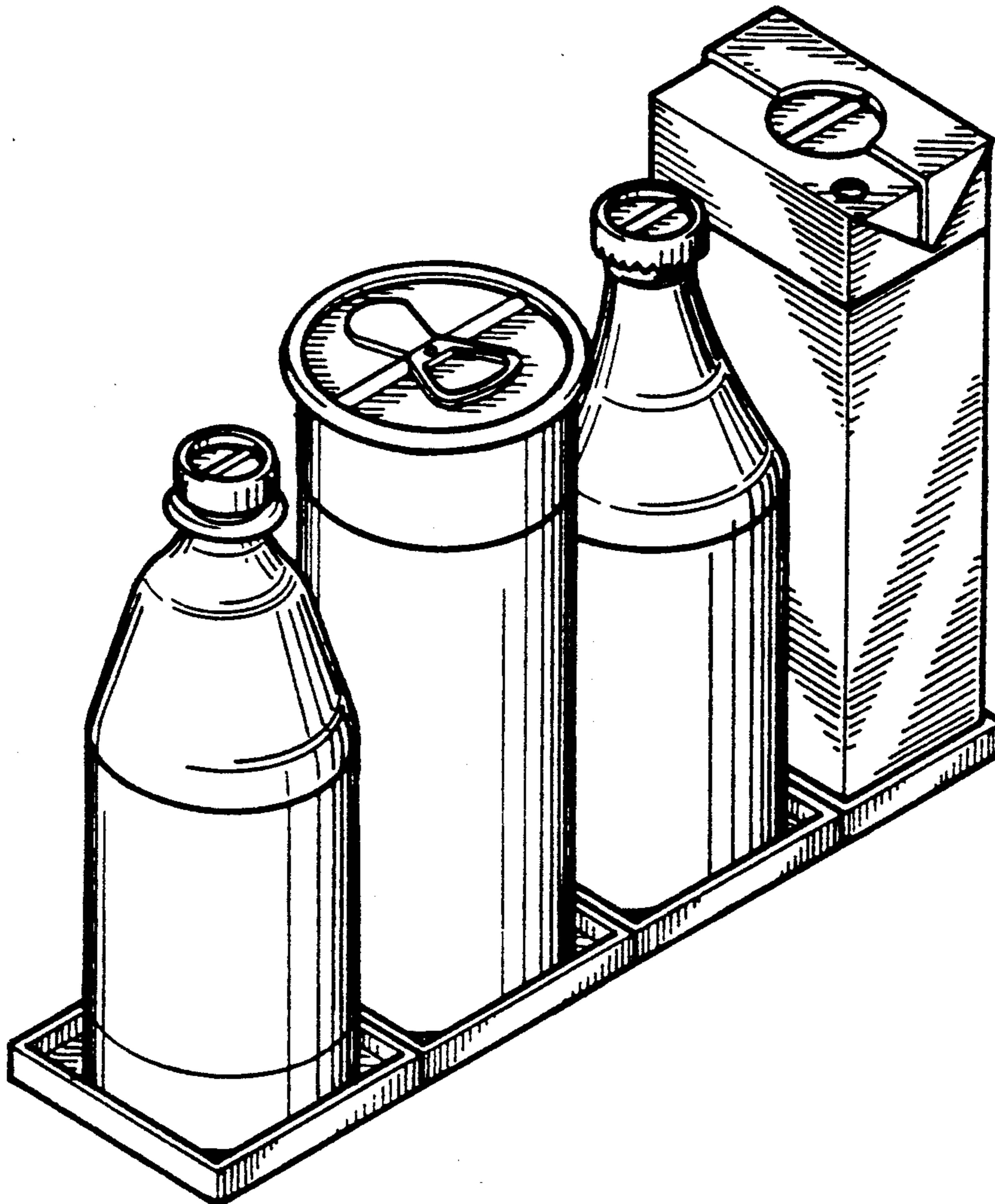
Primary Examiner—Kay H. Chin
Attorney, Agent, or Firm—Ross, Howison, Clapp & Korn

[57] **CLAIM**

The ornamental design for a multiple waste containers, as shown and described.

DESCRIPTION

FIG. 1 is a perspective view of the multiple waste container showing my design;
FIG. 2 is a front elevational view thereof;
FIG. 3 is a rear elevational view thereof;
FIG. 4 is a top plan view thereof;
FIG. 5 is a bottom plan view thereof;
FIG. 6 is a left side elevational view thereof;
FIG. 7 is a right side elevational view thereof; and,
FIG. 8 is a top perspective view thereof with lids in an open condition.



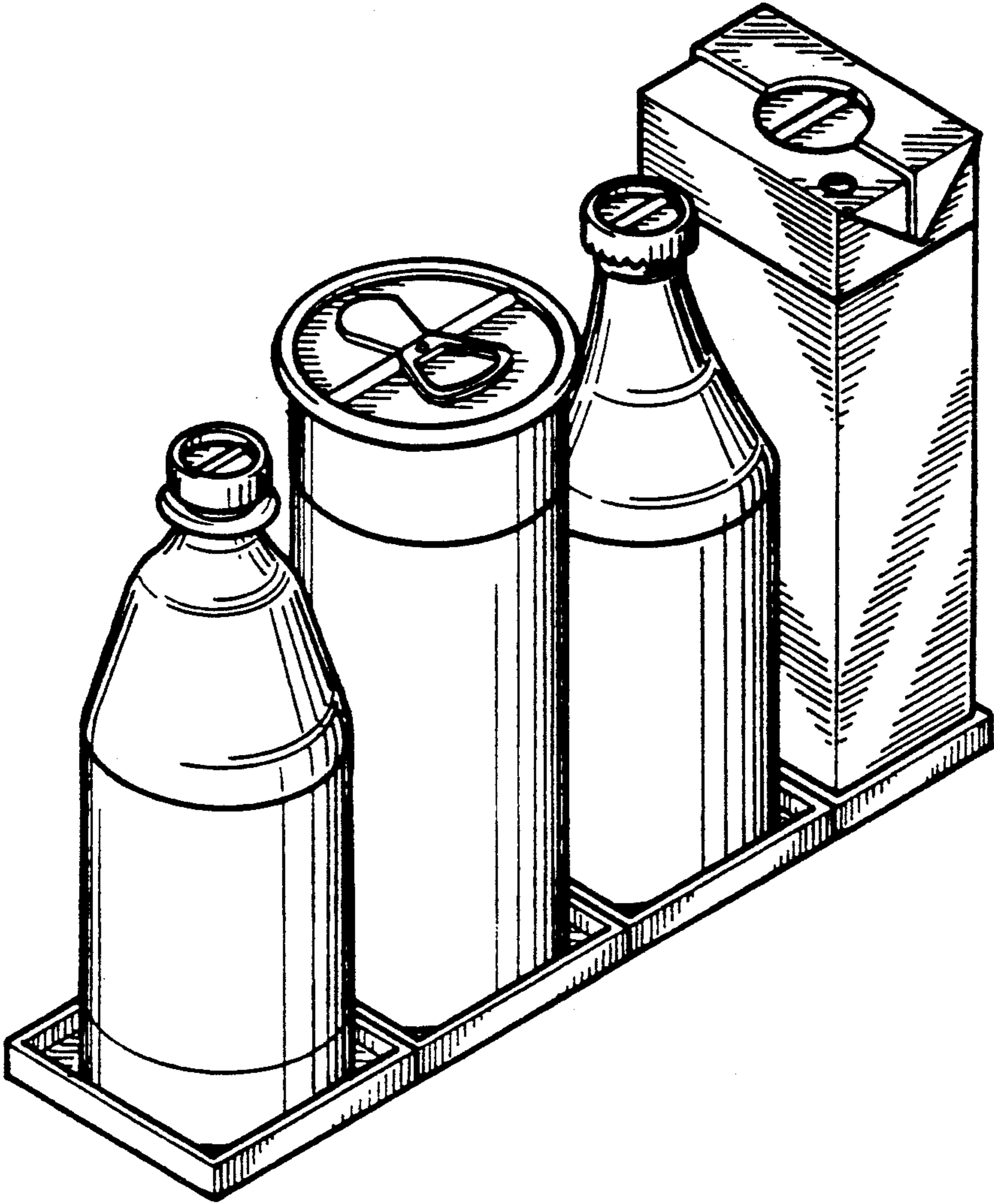


FIG. 1

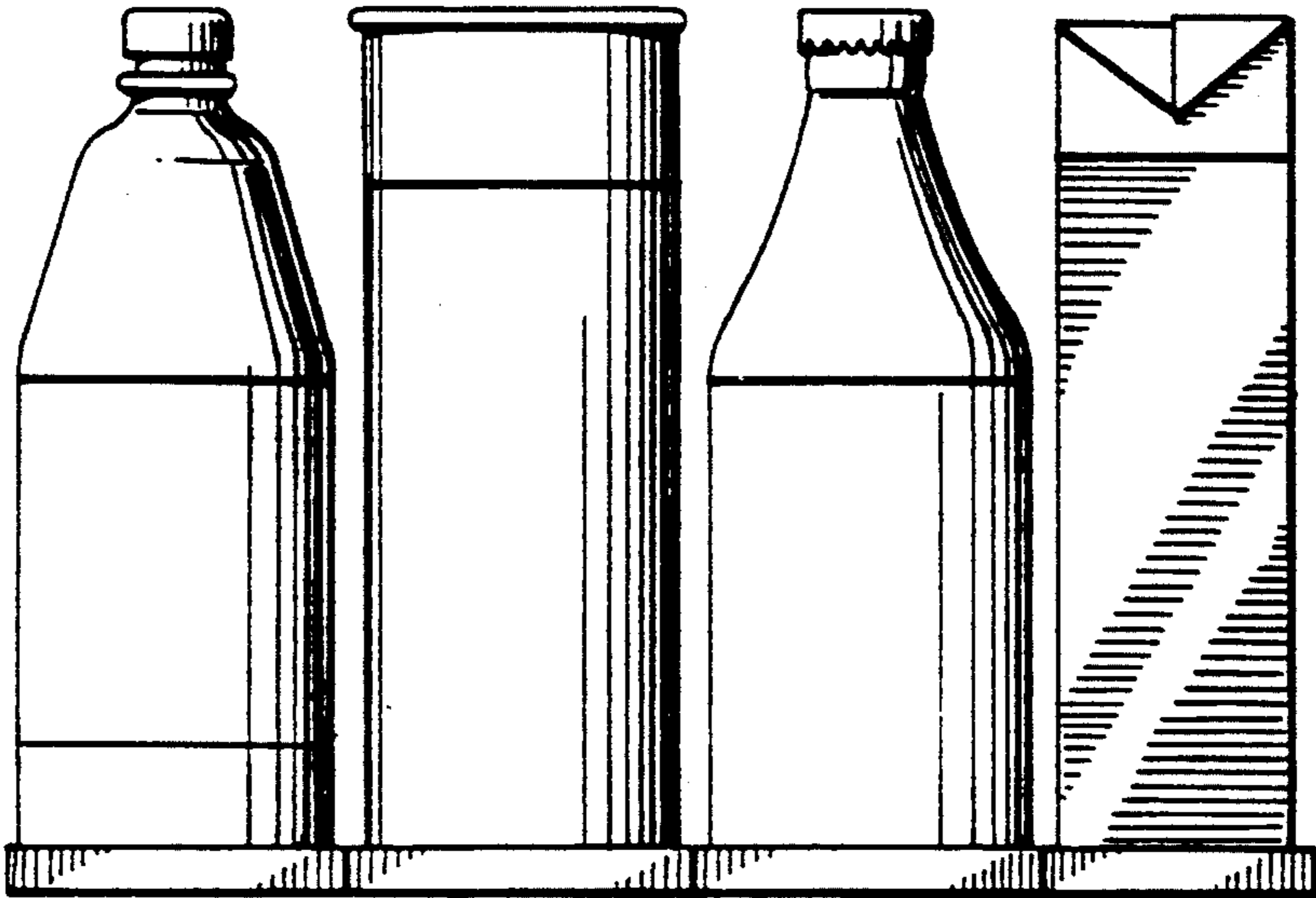


FIG. 2

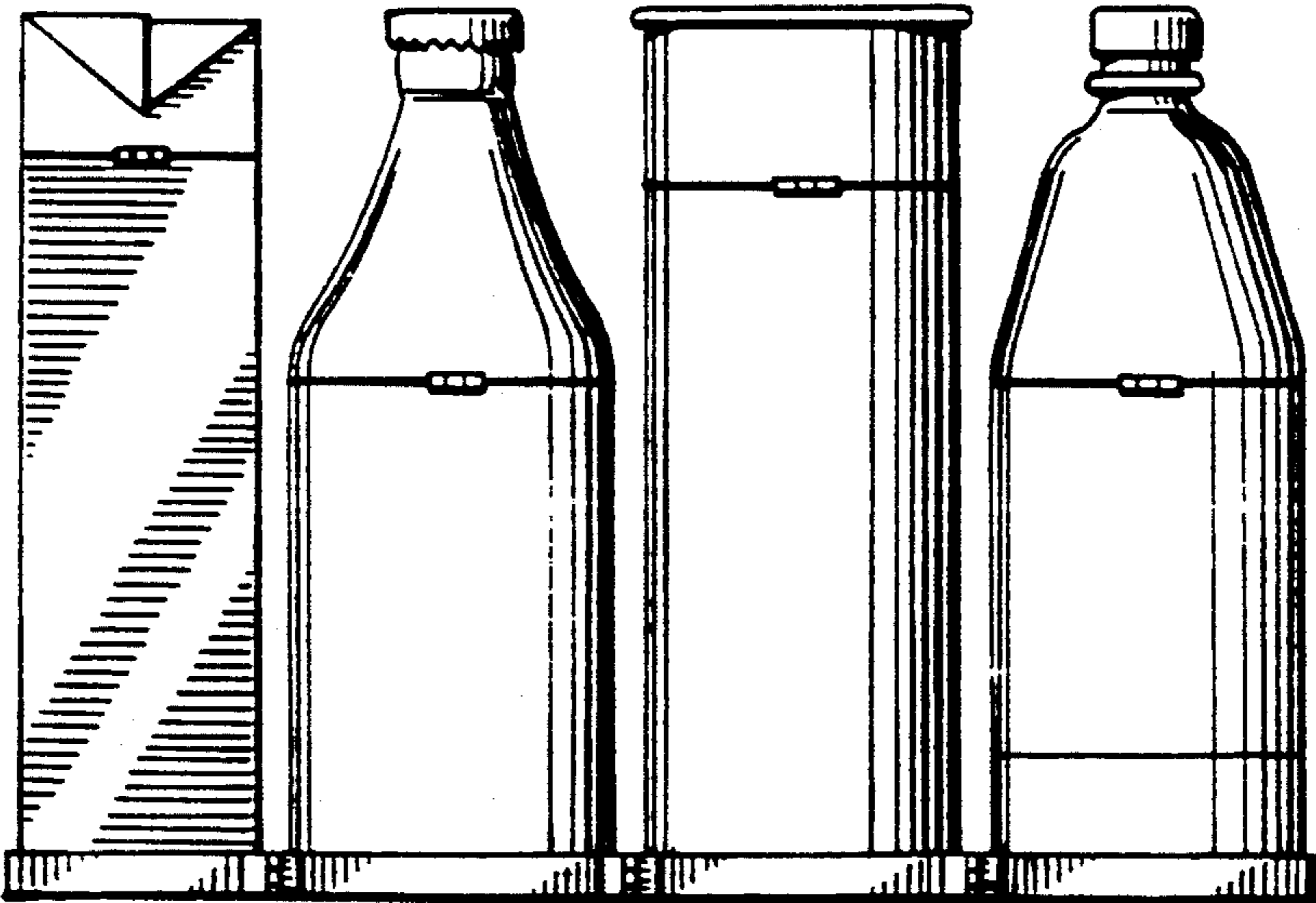


FIG. 3

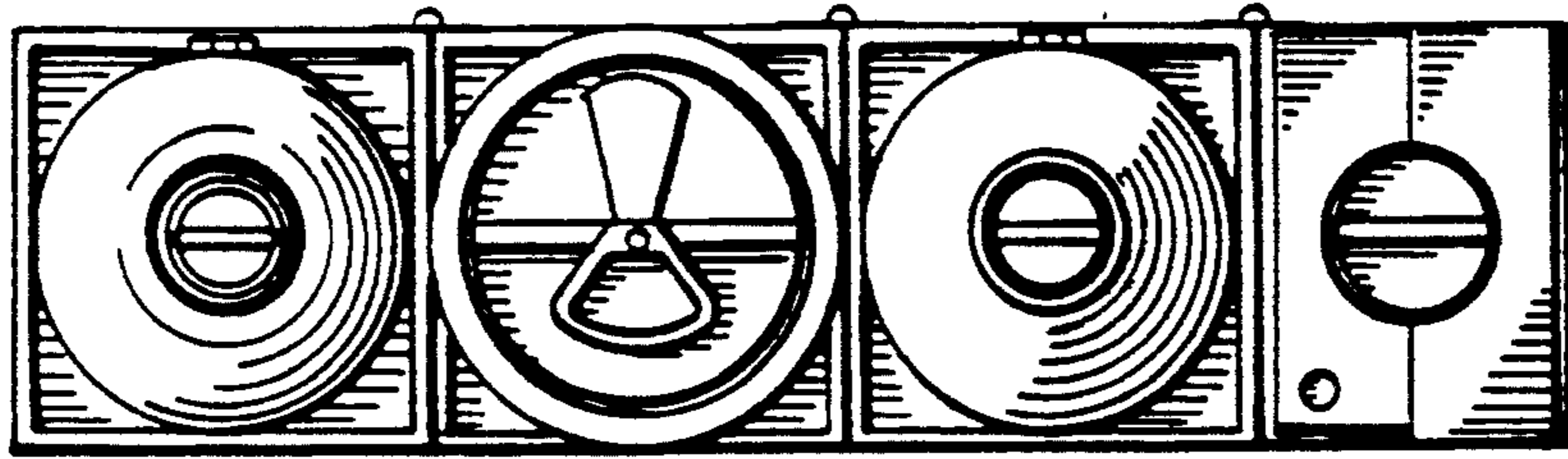


FIG. 4

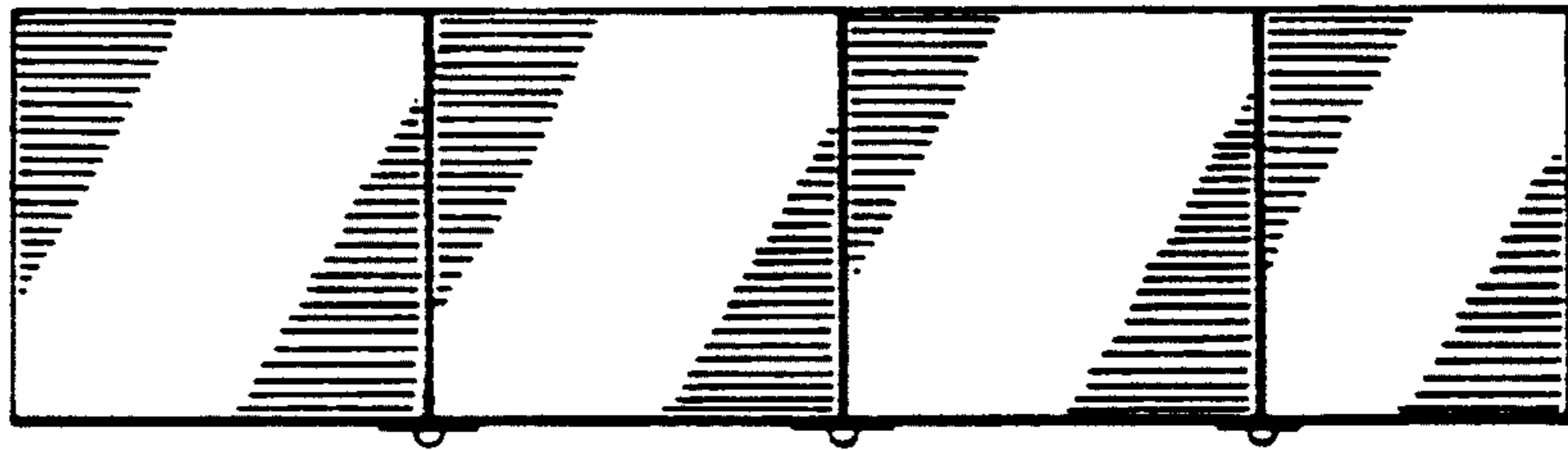


FIG. 5

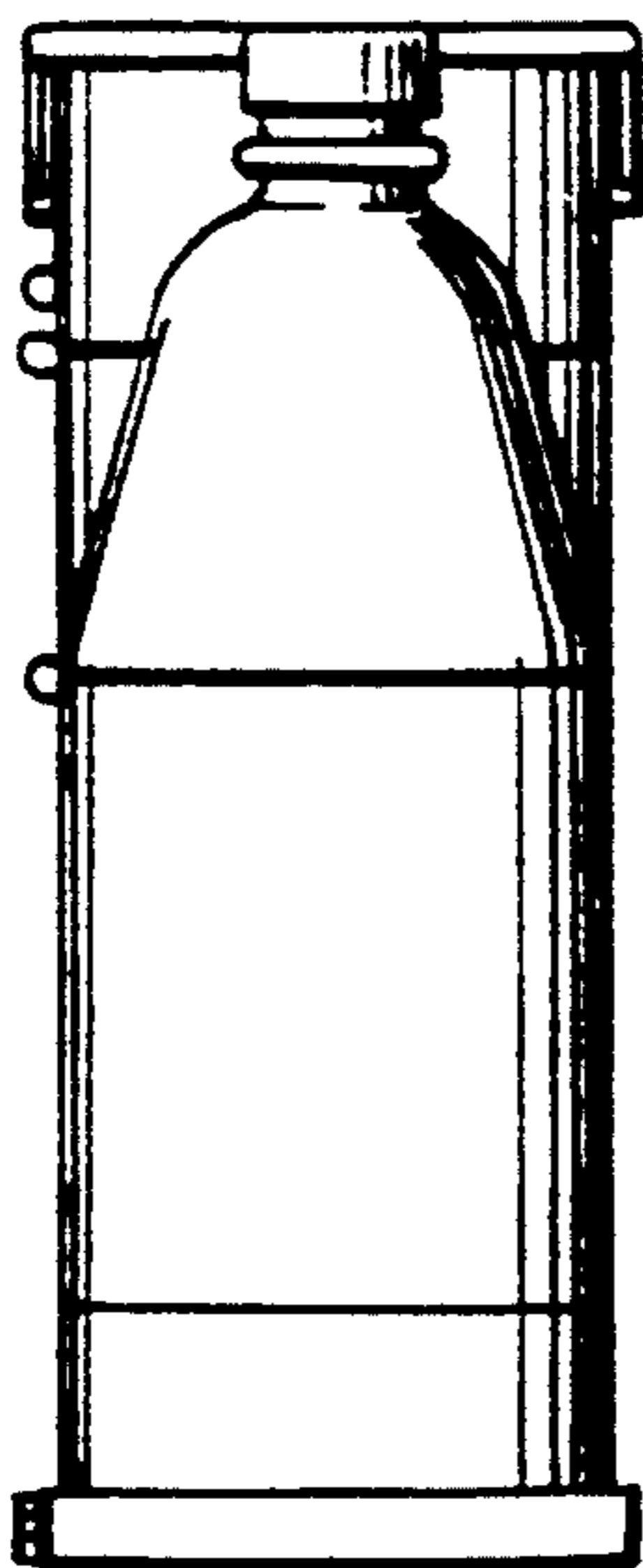


FIG. 6

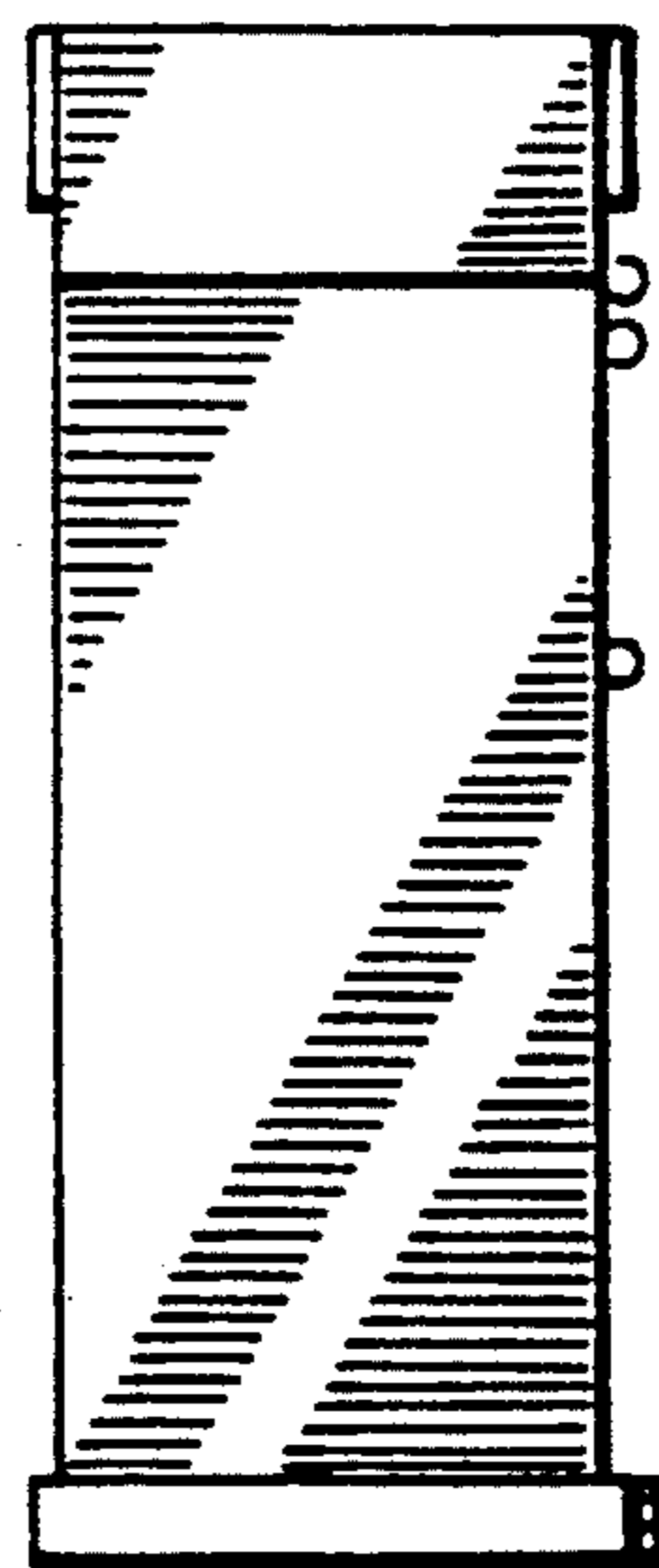


FIG. 7

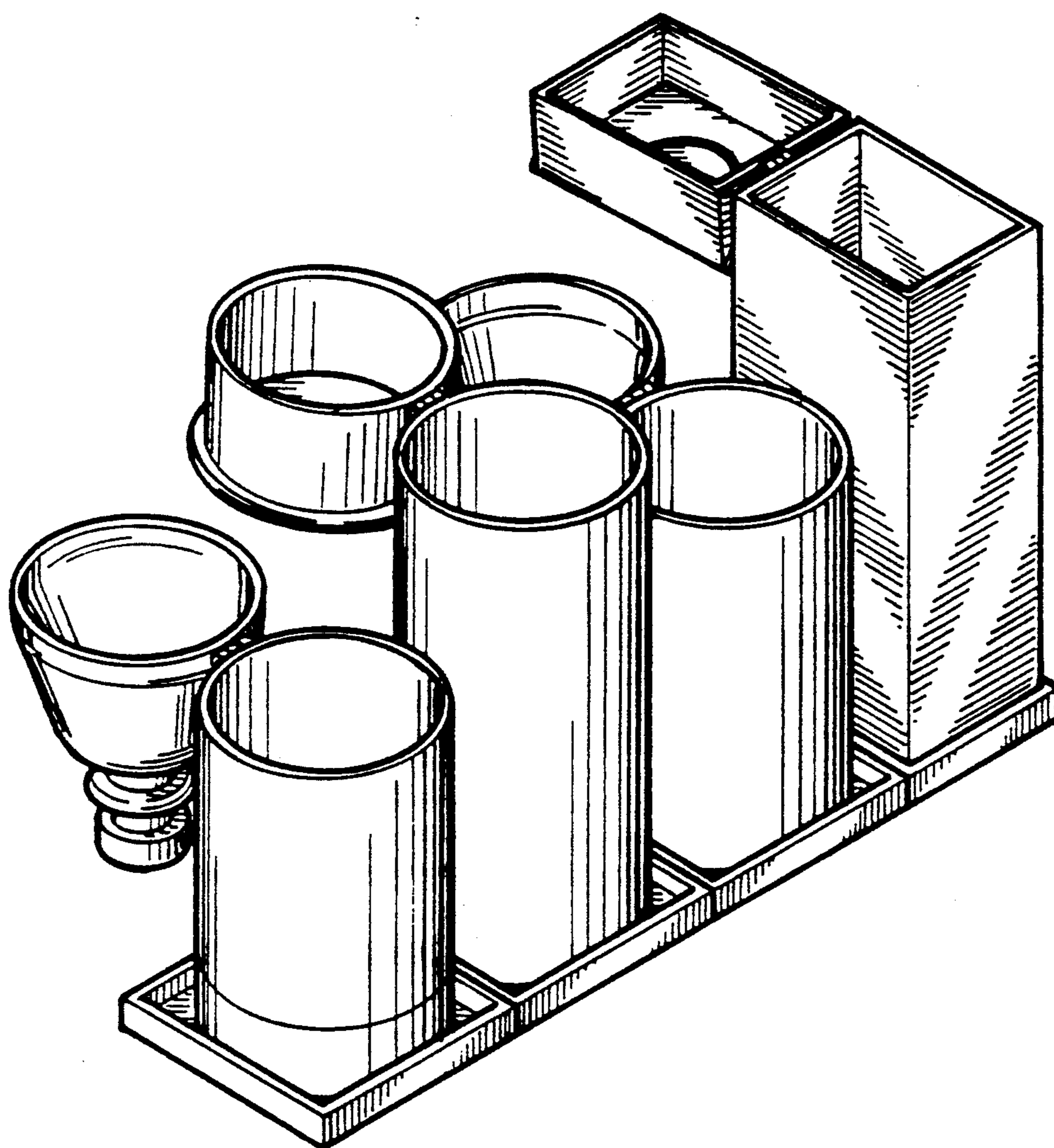


FIG. 8