



US00D331476S

# United States Patent [19]

[11] Patent Number: **Des. 331,476**

Hostetler

[45] Date of Patent: **\*\* Dec. 1, 1992**

[54] **COMBINED SUPPORT AND COVER FOR A WATERING CUP**

[75] Inventor: **Eldon Hostetler, Middlebury, Ind.**

[73] Assignee: **Ziggity Systems, Inc., Middlebury, Ind.**

[\*\*] Term: **14 Years**

[21] Appl. No.: **304,018**

[22] Filed: **Jan. 30, 1989**

[52] U.S. Cl. .... **D30/132; 119/18**

[58] Field of Search ..... **D30/121, 122, 124-128, D30/133; D6/520, 523; 119/18, 24, 25, 26, 29, 48, 49, 51.03, 52.1, 52.2, 52.3, 55, 57.8, 57.9, 61, 69, 72, 75**

4,248,178	2/1981	Kneubuehl	119/75
4,444,149	4/1984	Shomer	119/18
4,463,706	8/1984	Meister et al.	119/72
4,656,970	4/1987	Hostetler	119/75
4,709,658	12/1987	Hostetler	119/18

### OTHER PUBLICATIONS

Hart Systems brochure for the C-20XL Trigger Drinker Cup for Bird Cages (no date).

*Primary Examiner*—A. Hugo Word

*Assistant Examiner*—CathyAnne MacCormac

*Attorney, Agent, or Firm*—Barnes & Thornburg

### [57] CLAIM

The ornamental design for a combined support and cover for a watering cup, as shown and described.

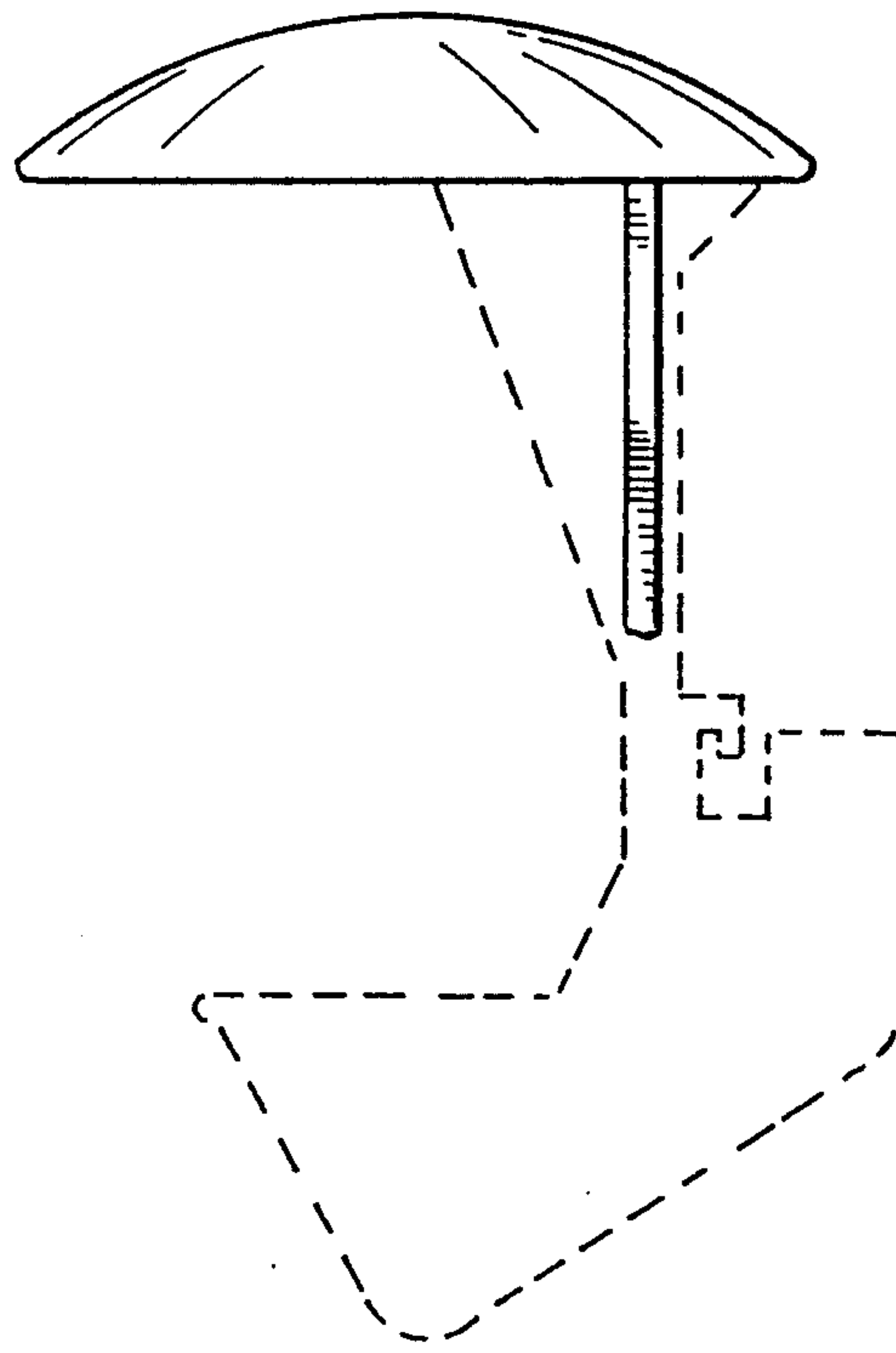
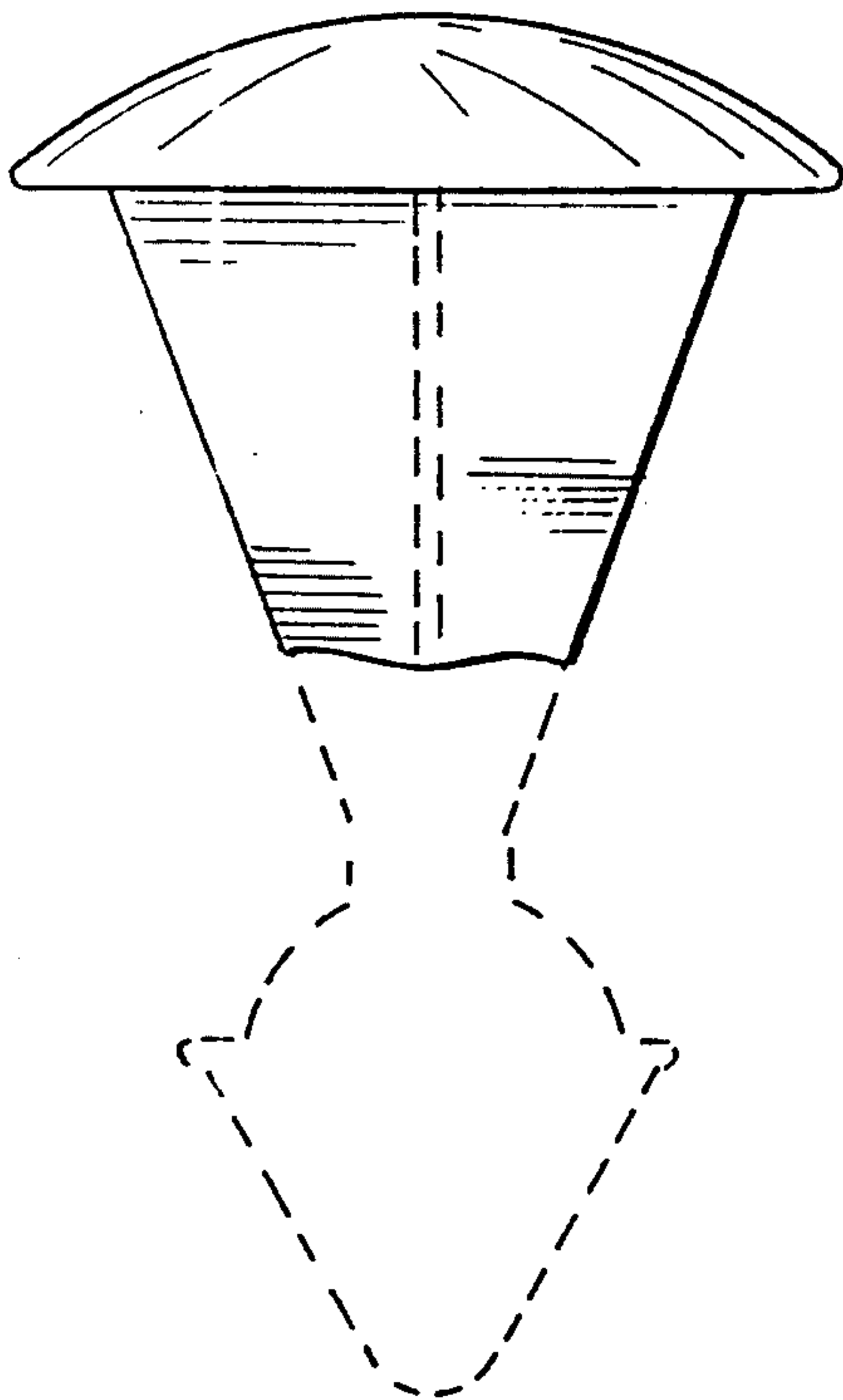
### DESCRIPTION

FIG. 1 is a front elevational view of a combined support and cover for a watering cup showing my new design; FIG. 2 is a right side elevational view thereof; FIG. 3 is a left side elevational view thereof; FIG. 4 is a rear elevational view thereof; FIG. 5 is a top plan view thereof; and, FIG. 6 is a bottom plan view thereof. The broken lines in FIGS. 1 through 6 are for purposes for illustration only and form no part of the claimed design.

### [56] References Cited

#### U.S. PATENT DOCUMENTS

D. 249,566	9/1978	Wilhelm	119/18
D. 290,537	1/1987	Hostetler	D30/132
D. 290,771	7/1987	Hostetler	D30/132
1,755,706	4/1930	St. George	119/18
2,504,282	4/1950	Tobias	119/51.03
2,699,752	1/1955	Reyes	119/18
2,856,898	10/1958	Doubleday et al.	119/29
3,115,865	12/1963	Parkes et al.	119/52.2
4,221,188	9/1980	Hostetler	119/72



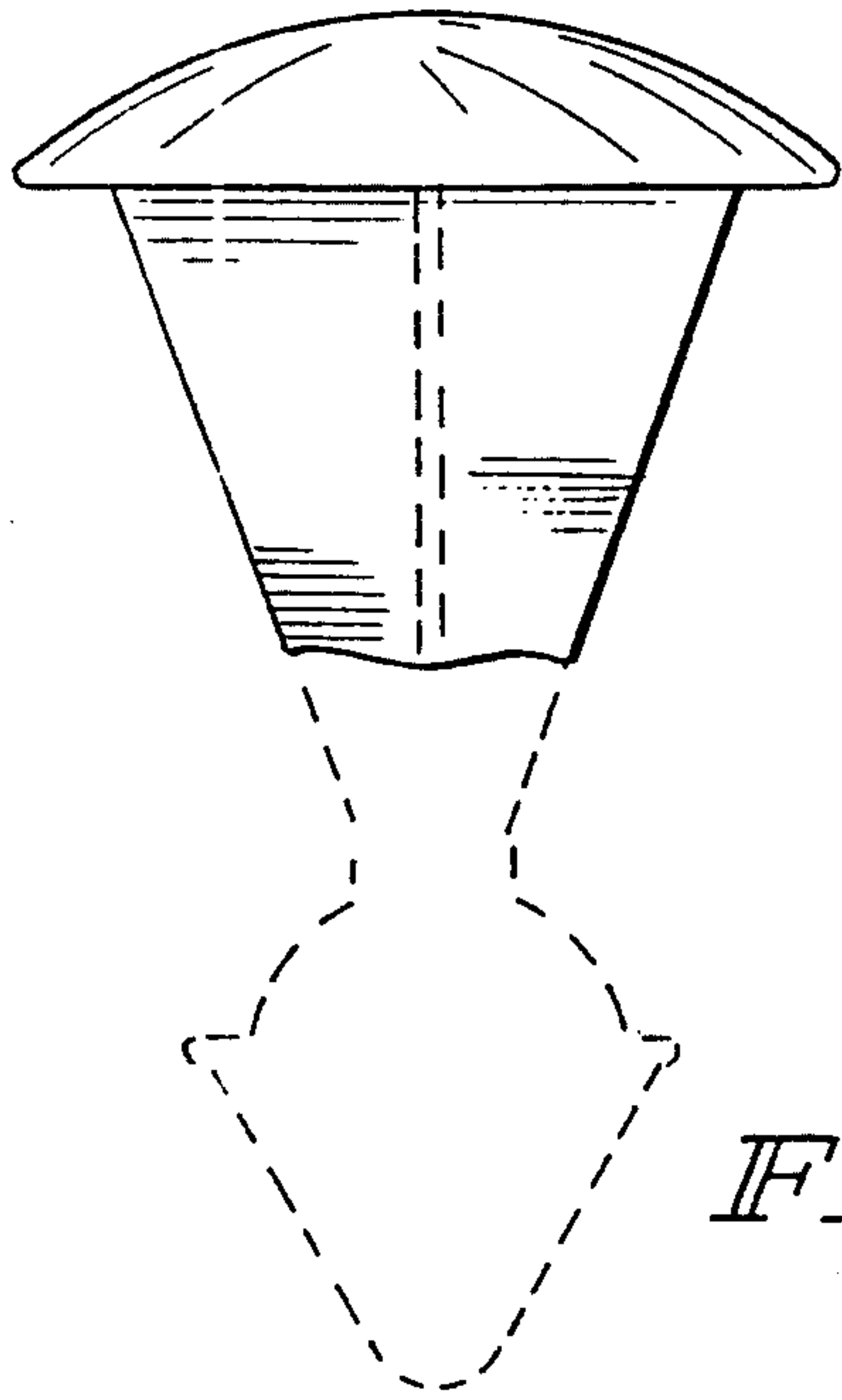


FIG. 1

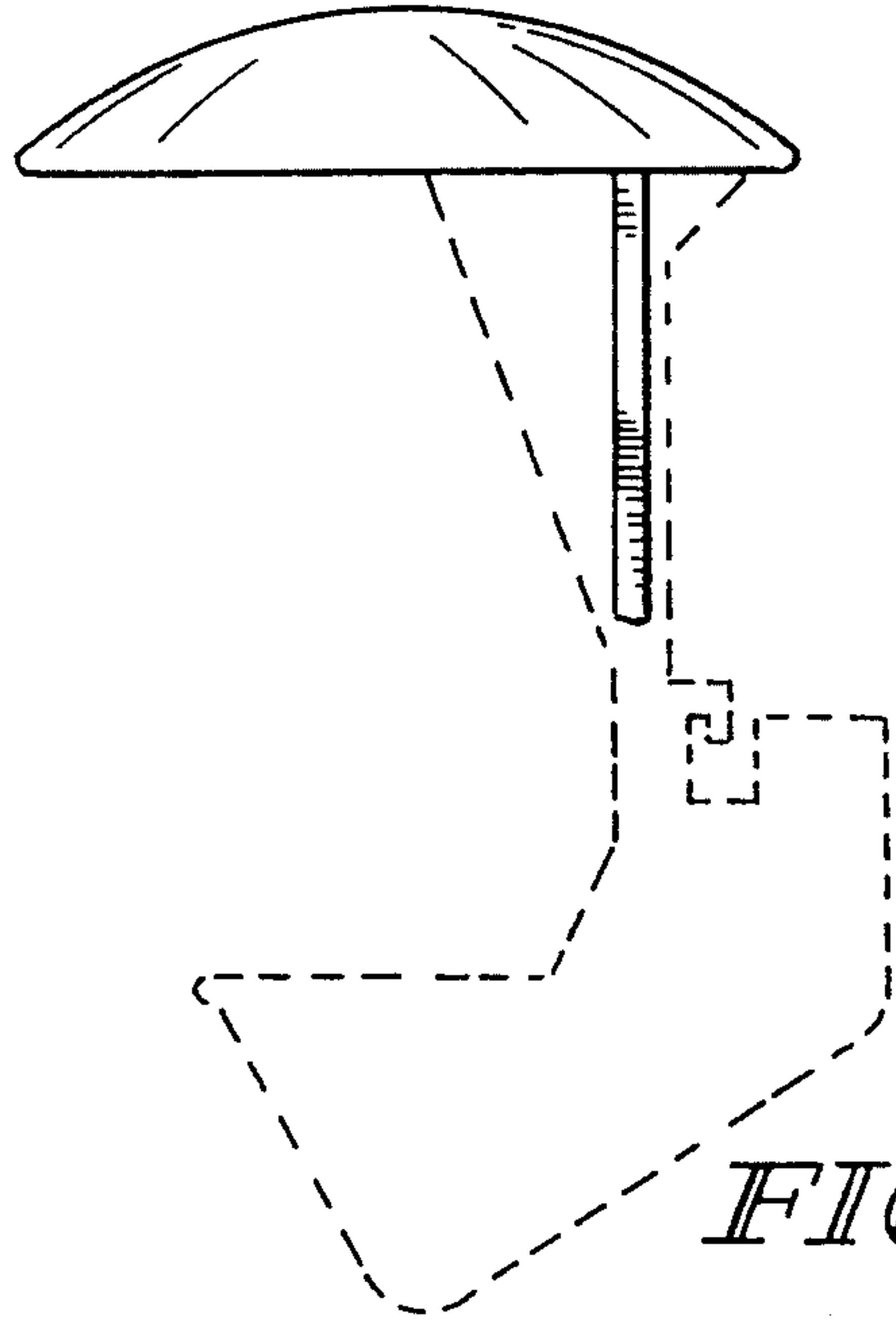


FIG. 2

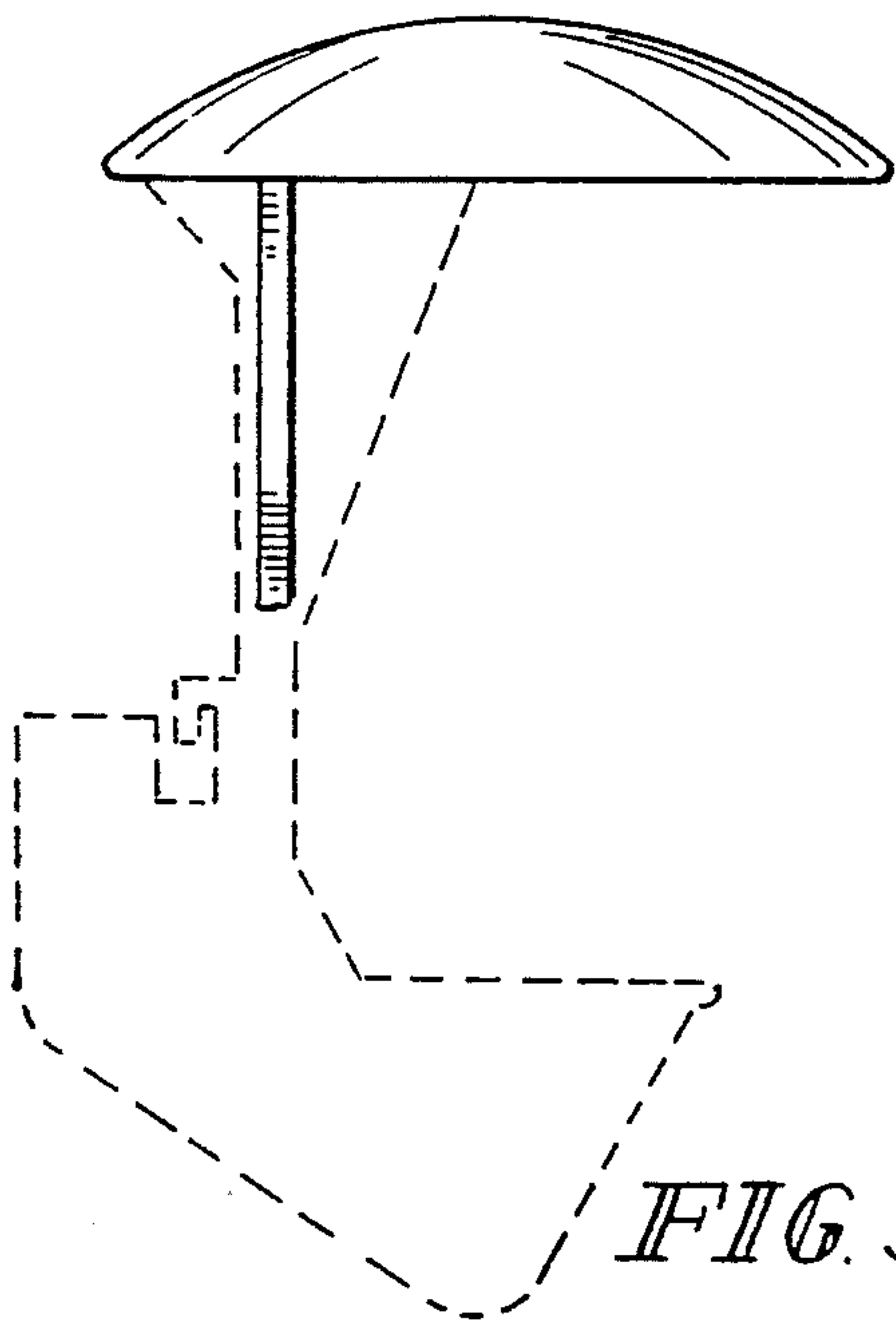


FIG. 3

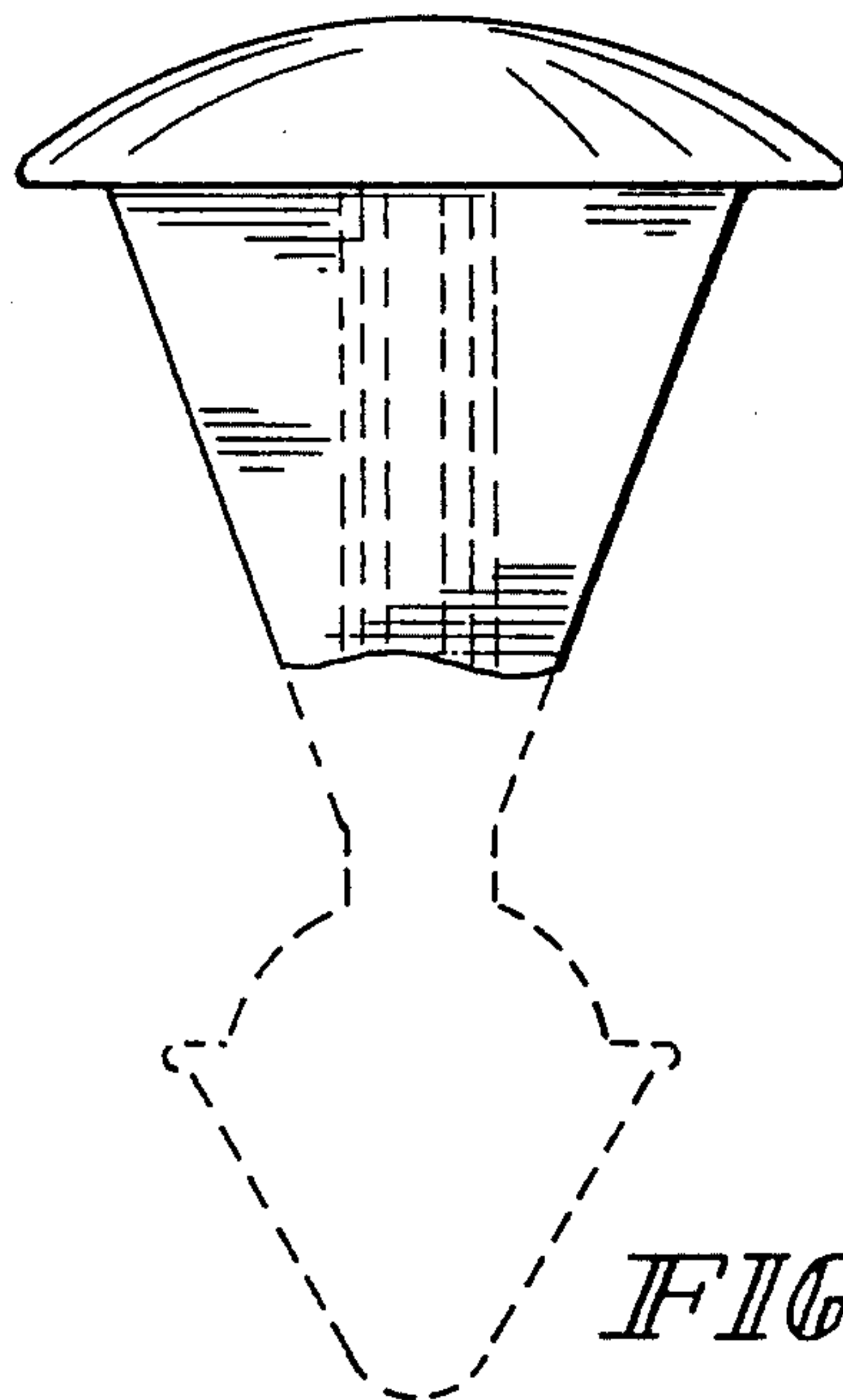


FIG. 4

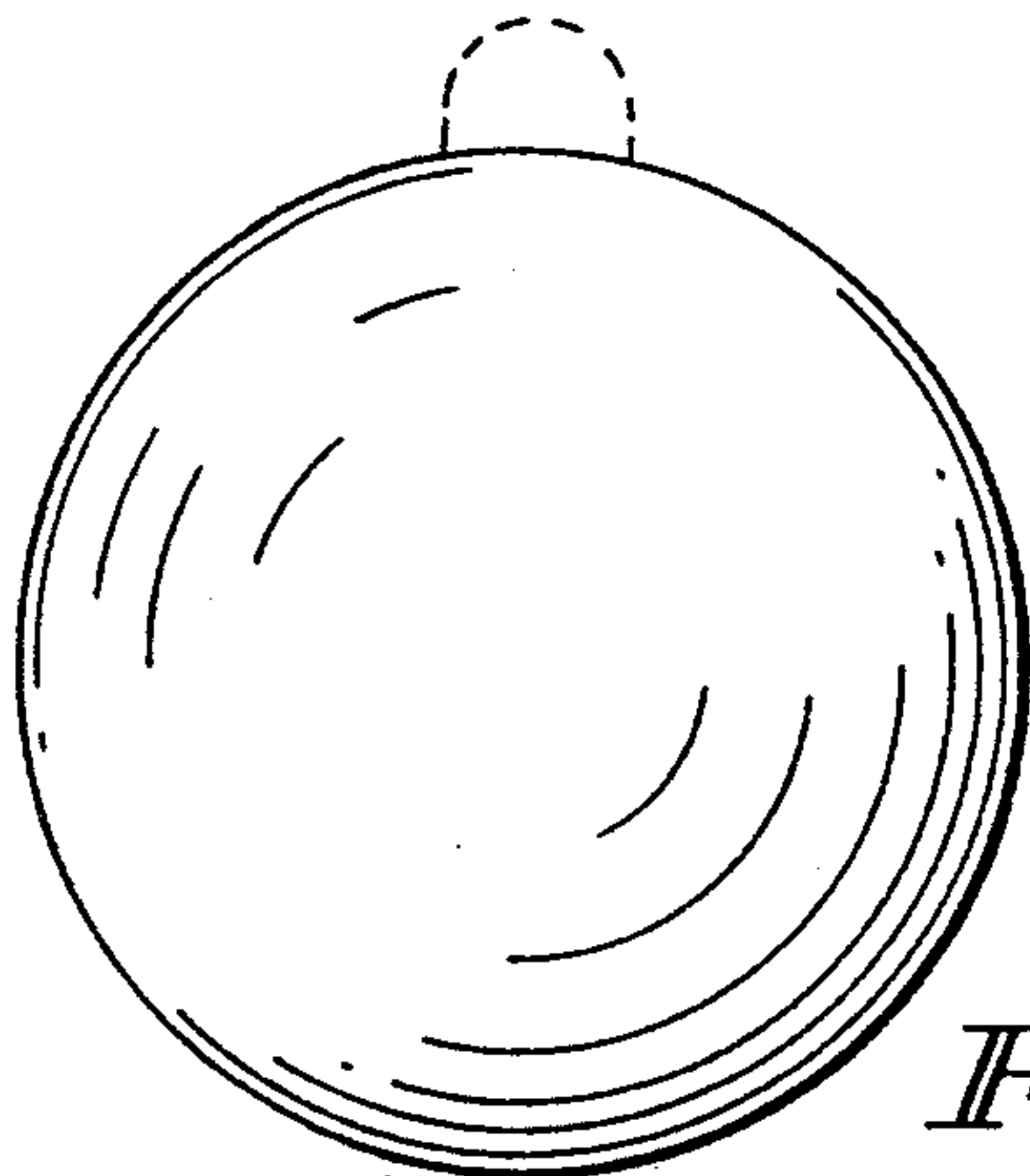


FIG. 5

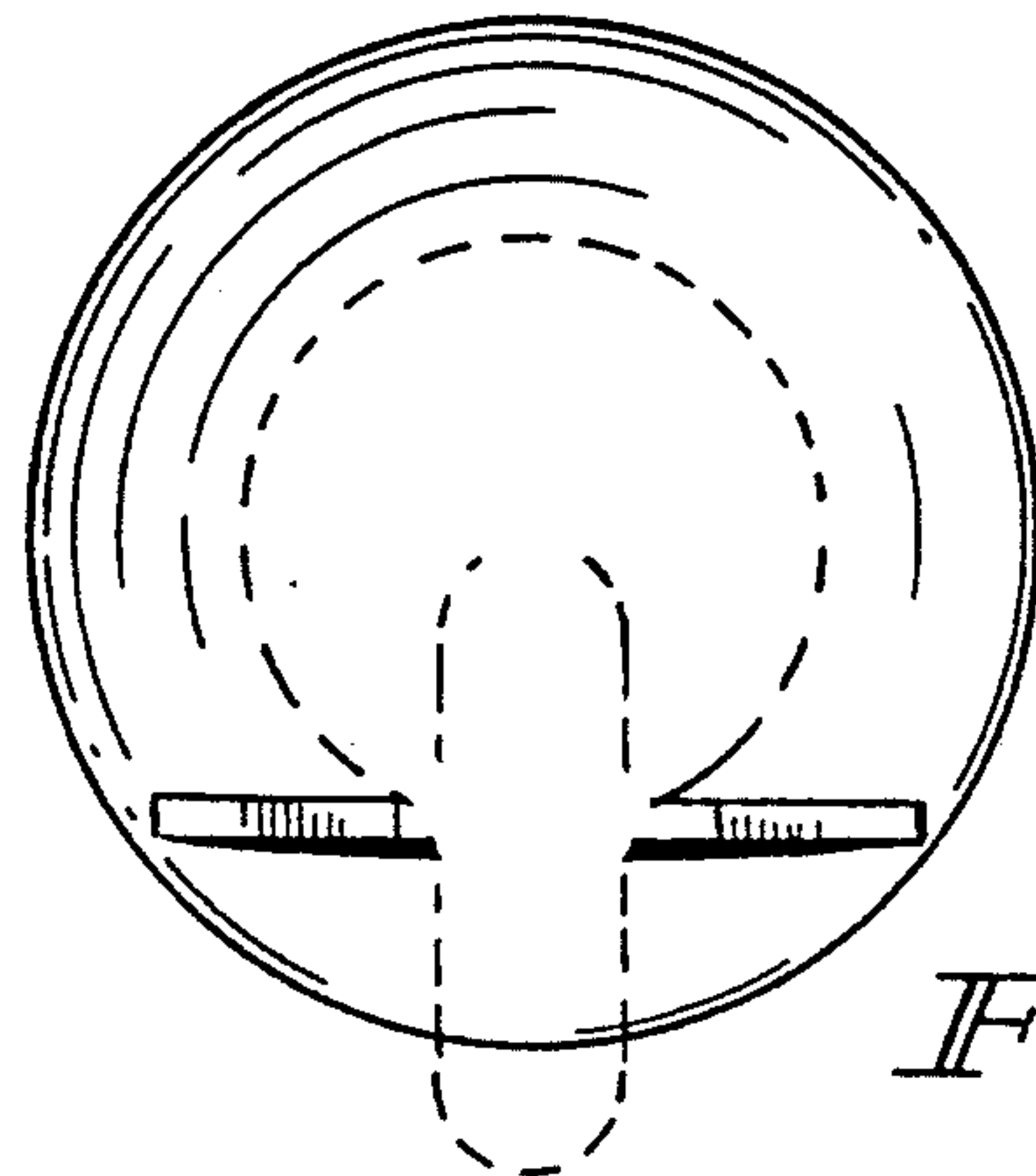


FIG. 6