



US00D331469S

United States Patent [19]

[11] Patent Number: **Des. 331,469**

McMarlin

[45] Date of Patent: **** Dec. 1, 1992**

[54] **SPACER JOINT FOR USE IN A BLOCK WALL**

[75] Inventor: **Robert M. McMarlin, Murrysville, Pa.**

[73] Assignee: **Pittsburgh Corning Corporation, Pittsburgh, Pa.**

[**] Term: **14 Years**

[21] Appl. No.: **575,889**

[22] Filed: **Aug. 31, 1990**

[52] U.S. Cl. **D25/119; D25/103**

[58] Field of Search **D23/119, 103, 138, 121, D23/122, 123, 125, 113, 133, 134; 52/306, 308, 46, 241, 349, 716, 720, 727, 742, 544, 741**

[56] **References Cited**

U.S. PATENT DOCUMENTS

D. 323,896	2/1992	Alcazar	D25/103
1,425,102	8/1922	Keppler .	
1,686,161	10/1928	Liese .	
2,115,513	4/1938	Bauer	72/41
2,141,000	12/1938	Hohl	52/308
2,156,623	5/1939	Eastus	72/42
2,216,220	10/1940	Baker	240/1
2,227,842	1/1941	Polivka	52/308
2,239,537	4/1941	Owen	72/42
2,281,524	4/1942	Meyers	72/42
2,303,844	12/1942	Knudsen	72/42
2,306,320	12/1942	Rapp	94/28
2,318,362	5/1943	Boeglen et al.	72/42
2,346,170	4/1944	Kalkusch	72/17
2,532,478	12/1950	Bridges	52/306
2,835,523	5/1958	Vincent et al.	154/118
3,234,699	2/1966	Smith	52/173
3,422,588	1/1969	Stewart, Jr.	52/285
3,531,346	9/1970	Jameson	156/107
3,630,814	12/1971	Arnold	161/45
3,798,861	3/1974	Weiss	52/306

4,023,319	5/1977	Kurata	52/308
4,058,943	11/1977	Sturgill	52/227
4,441,291	4/1984	Sokoler et al.	52/306
4,648,226	3/1987	Manon	52/308
4,774,793	10/1988	Mayer	52/308
4,959,937	10/1990	Mayer	52/306
4,965,975	10/1990	Schwarz	52/308

FOREIGN PATENT DOCUMENTS

1401279	10/1965	France .
1148528	8/1966	United Kingdom .

OTHER PUBLICATIONS

"PC Glass Block, Panels, Walls, Windows, Exterior and Interior Applications" by Pittsburgh Corning Corporation, Dec. 1983.

"Glass Block" by Pittsburgh Corning Corporation, Mar. 1978.

Primary Examiner—A. Hugo Word

Assistant Examiner—Doris Clark

Attorney, Agent, or Firm—Stanley Price, Jr.

[57] CLAIM

The ornamental design for a spacer joint for use in a block wall, as shown and described.

DESCRIPTION

FIG. 1 is a perspective view of a spacer joint for use in a block wall showing my new design;

FIG. 2 is a front elevational view thereof;

FIG. 3 is a fragmentary side elevational view thereof;

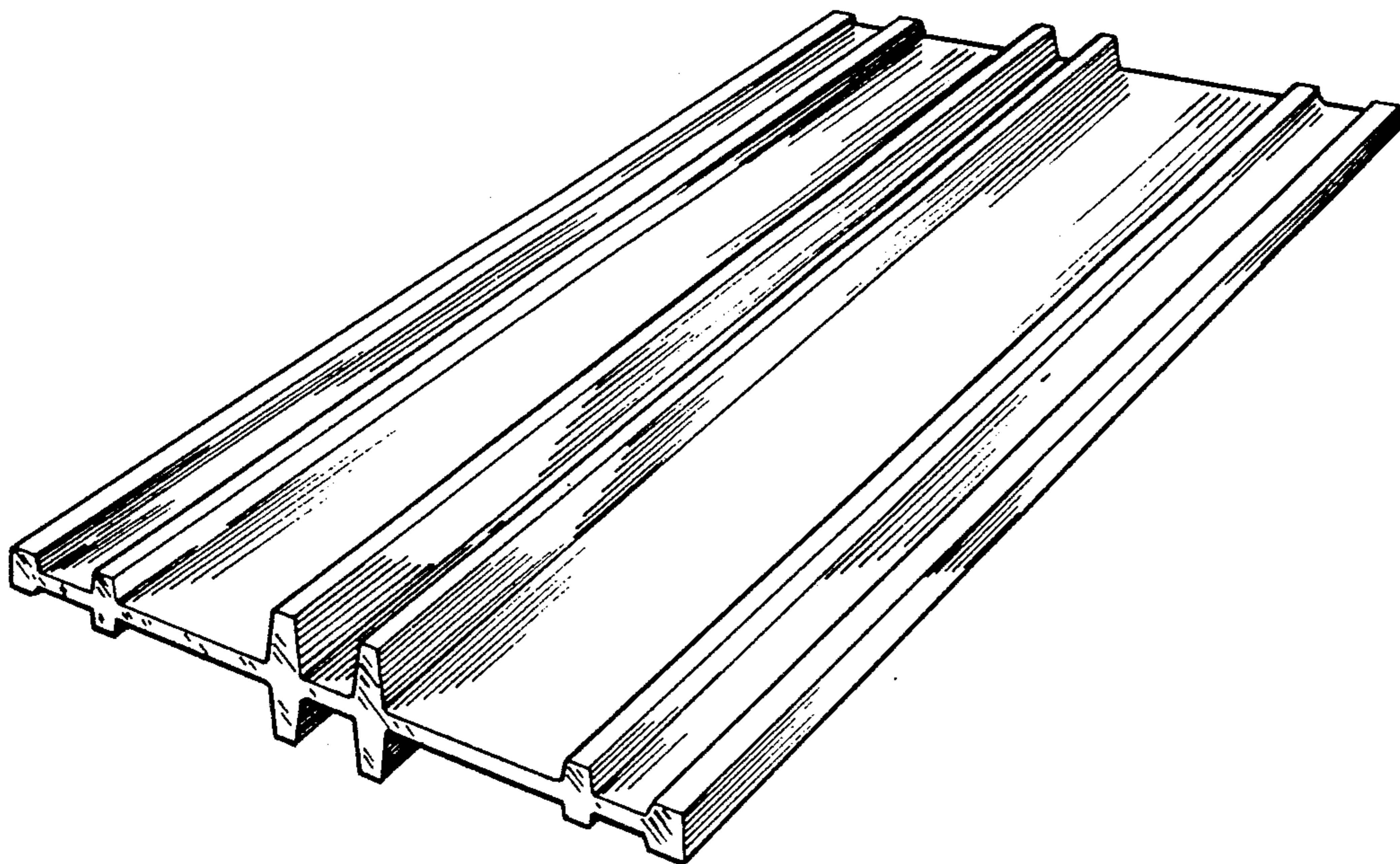
FIG. 4 is a fragmentary top plan view thereof;

FIG. 5 is a perspective view of a second embodiment of a spacer joint for use in a block wall showing my new design;

FIG. 6 is a front elevational view thereof;

FIG. 7 is a fragmentary side elevational view thereof; and,

FIG. 8 is a fragmentary top plan view thereof.



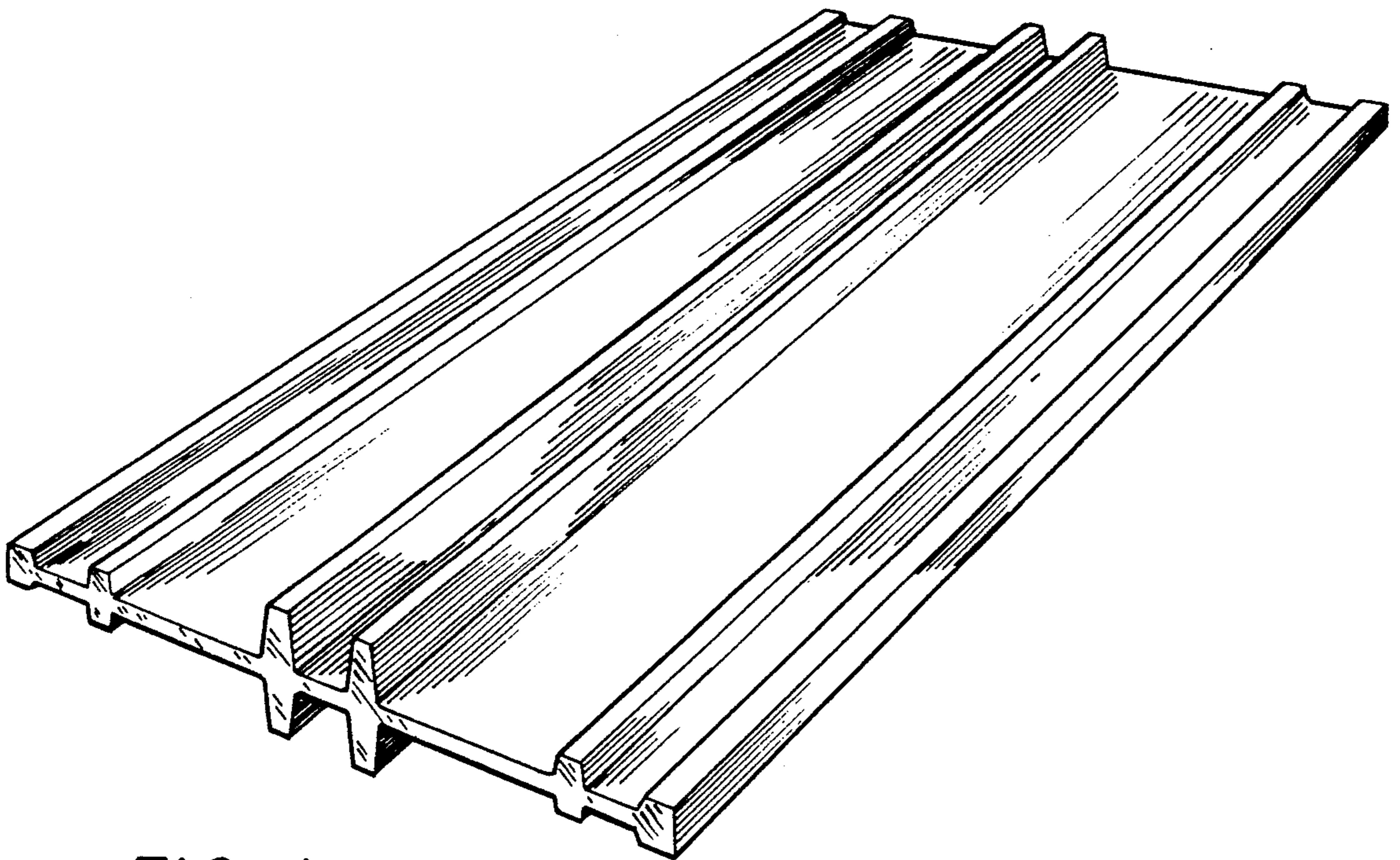


FIG. 1

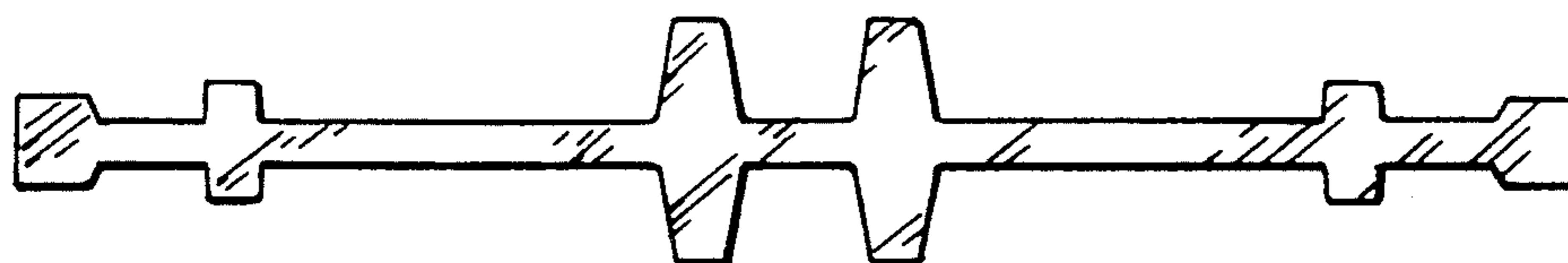


FIG. 2

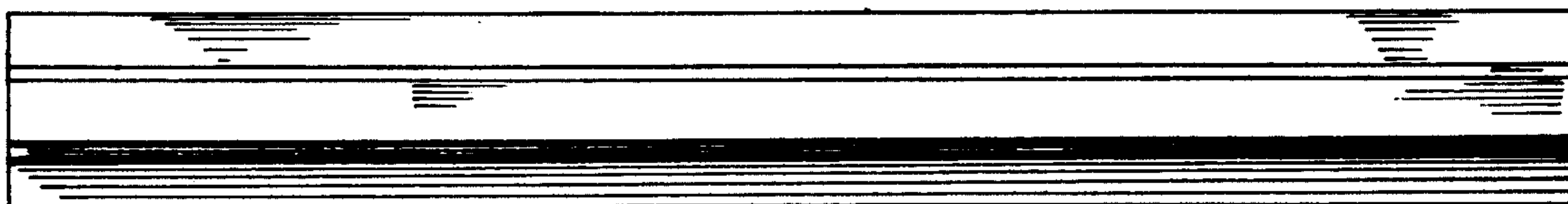


FIG. 3

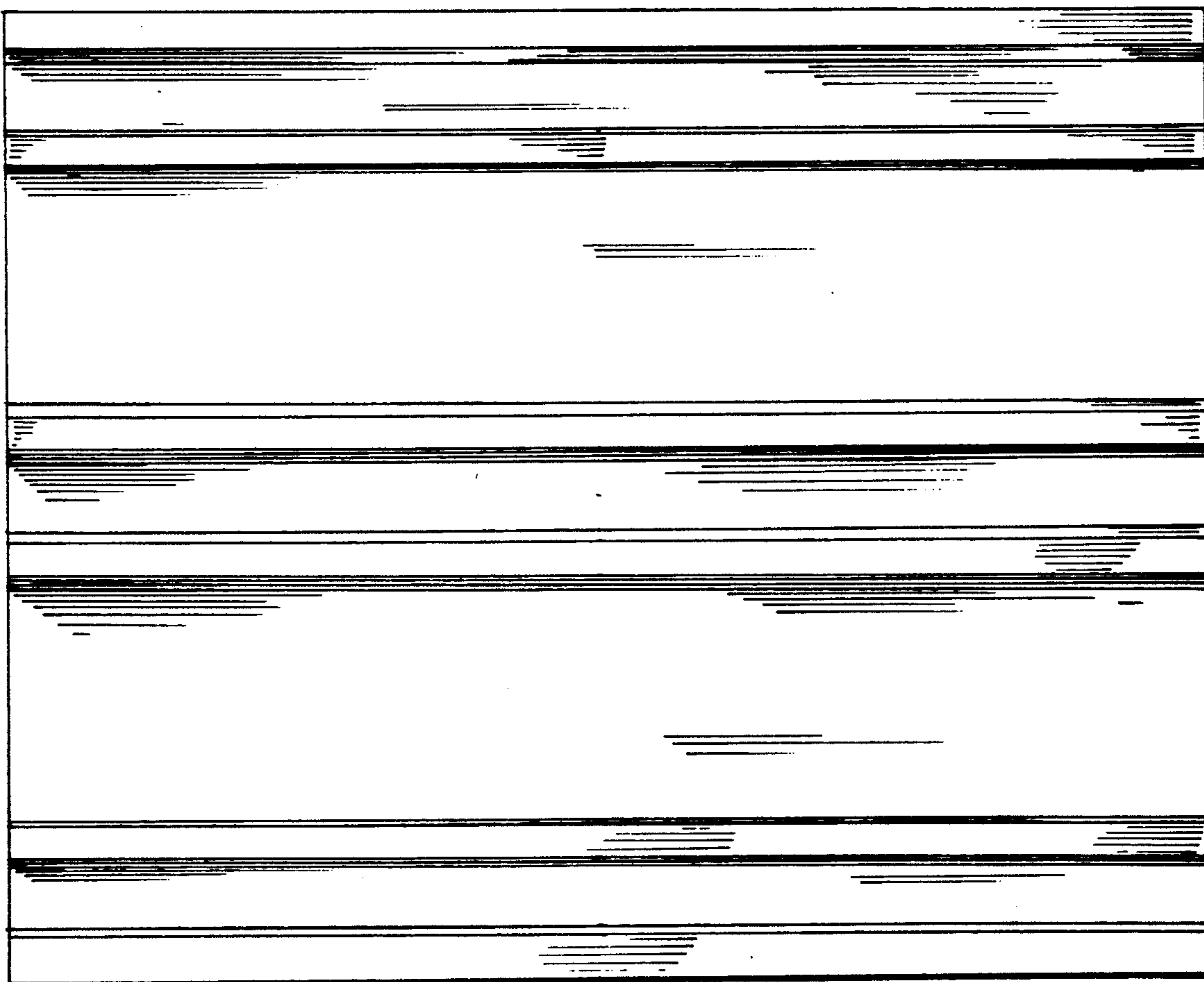


FIG. 4

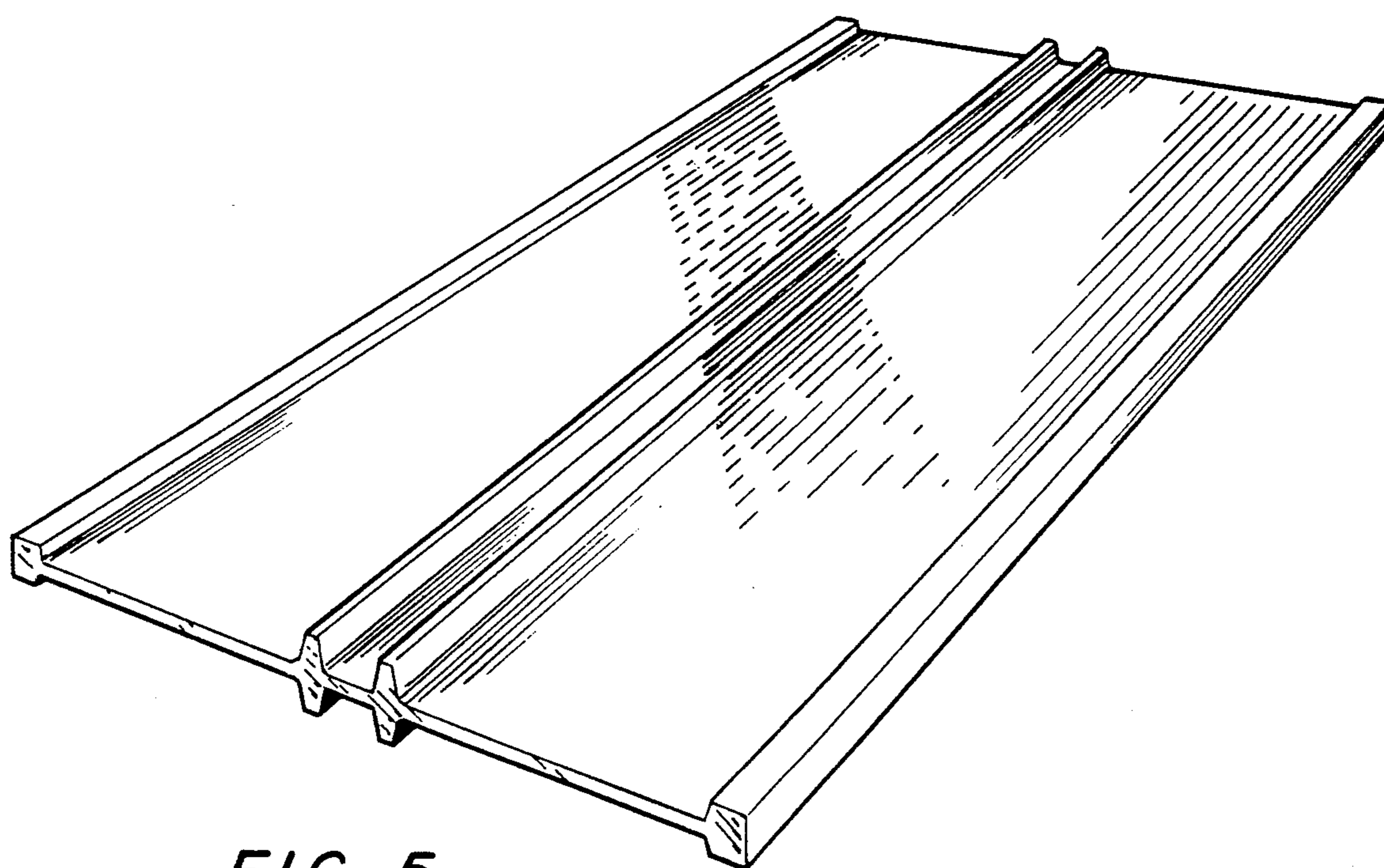


FIG. 5

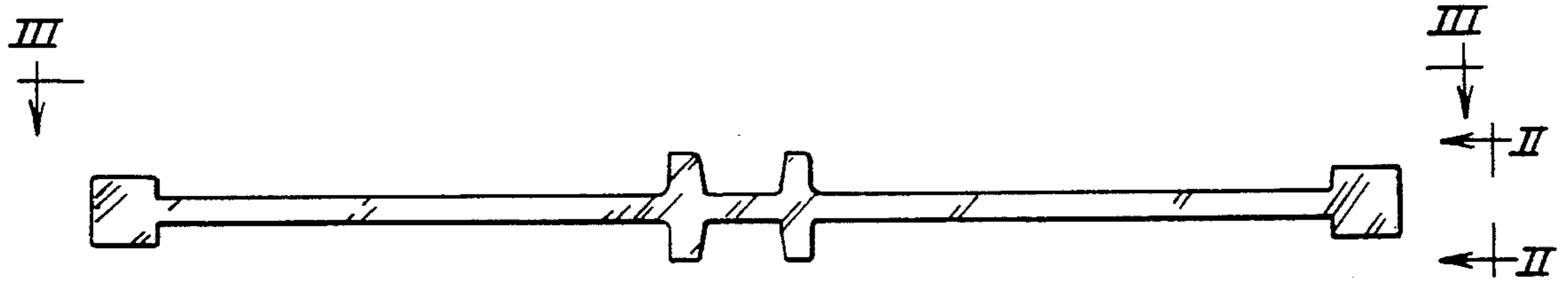


FIG. 6

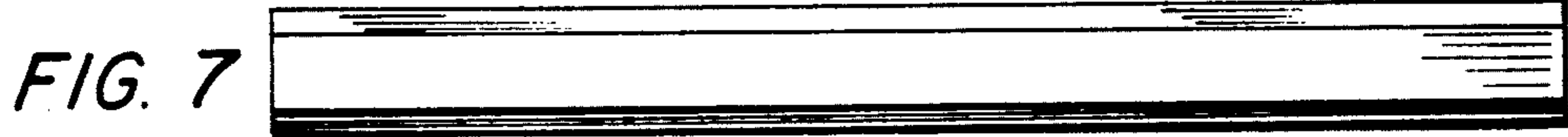


FIG. 7

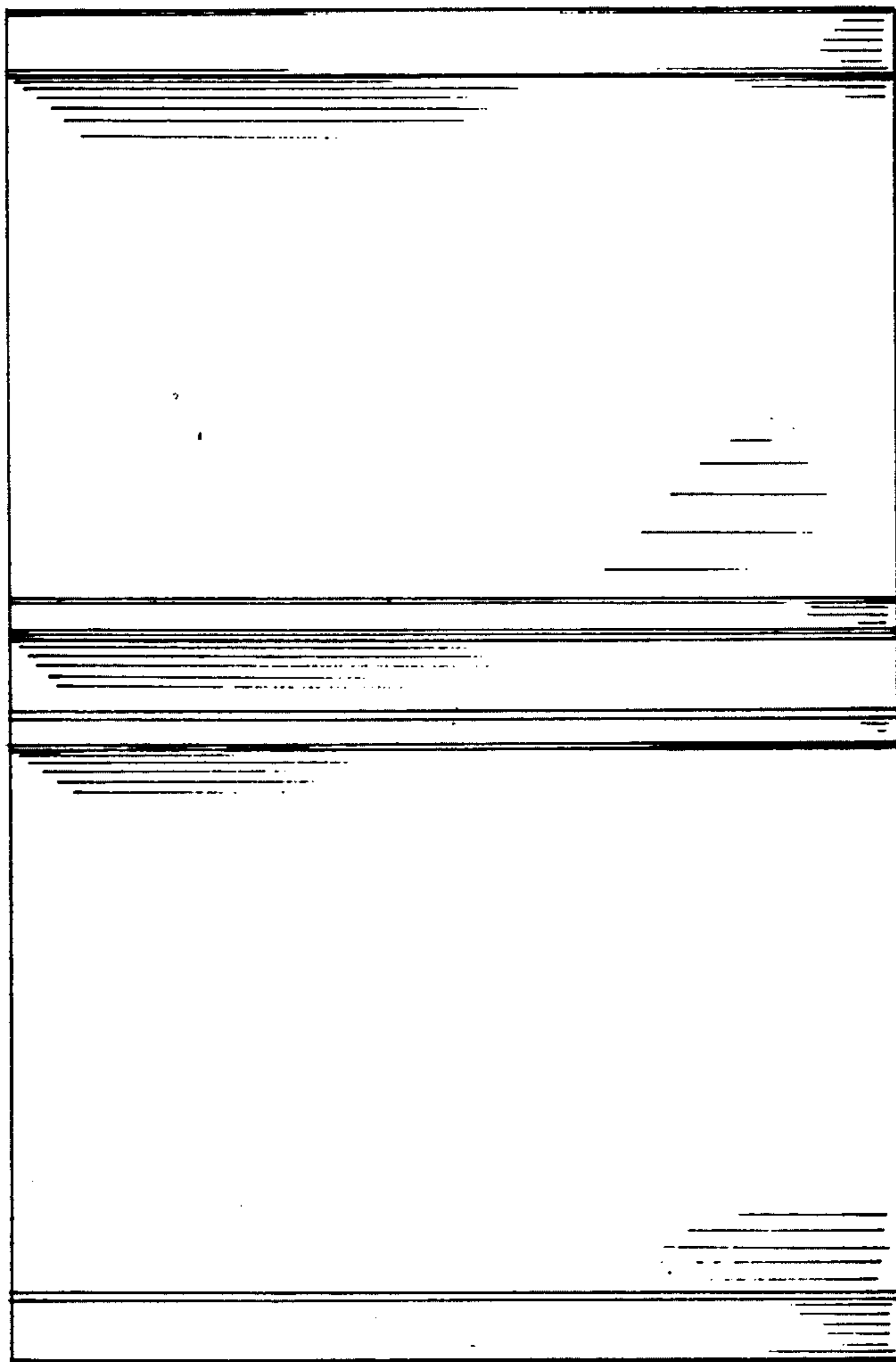


FIG. 8