



US00D331466S

# United States Patent [19]

[11] Patent Number: **Des. 331,466**

**Doria**

[45] Date of Patent: **\*\* Dec. 1, 1992**

[54] **MASSAGER**

D. 273,708 5/1984 Haug ..... D24/211  
D. 288,847 3/1987 Kaeser ..... D24/214 X  
D. 299,863 2/1989 Noble et al. .... D24/211

[75] Inventor: **Alessandro Doria, Milan, Italy**

[73] Assignee: **Daniels S.r.l., Milan, Italy**

[\*\*] Term: **14 Years**

*Primary Examiner*—Stella Reid

[21] Appl. No.: **493,221**

[57] **CLAIM**

[22] Filed: **Mar. 14, 1990**

The ornamental design for a massager, as shown and described.

[30] **Foreign Application Priority Data**

### DESCRIPTION

Sep. 14, 1989 [IT] Italy ..... 21724/89[U]

[52] U.S. Cl. .... **D24/200**

[58] Field of Search ..... D24/200, 211, 214, 215;  
128/36, 41, 40, 57, 60, 62 R

FIG. 1 is a perspective view of a massager, showing my new design;

FIG. 2 is a side elevational view thereof, the opposite side being identical thereto;

FIG. 3 is a bottom plan view thereof;

FIG. 4 is a top plan view thereof;

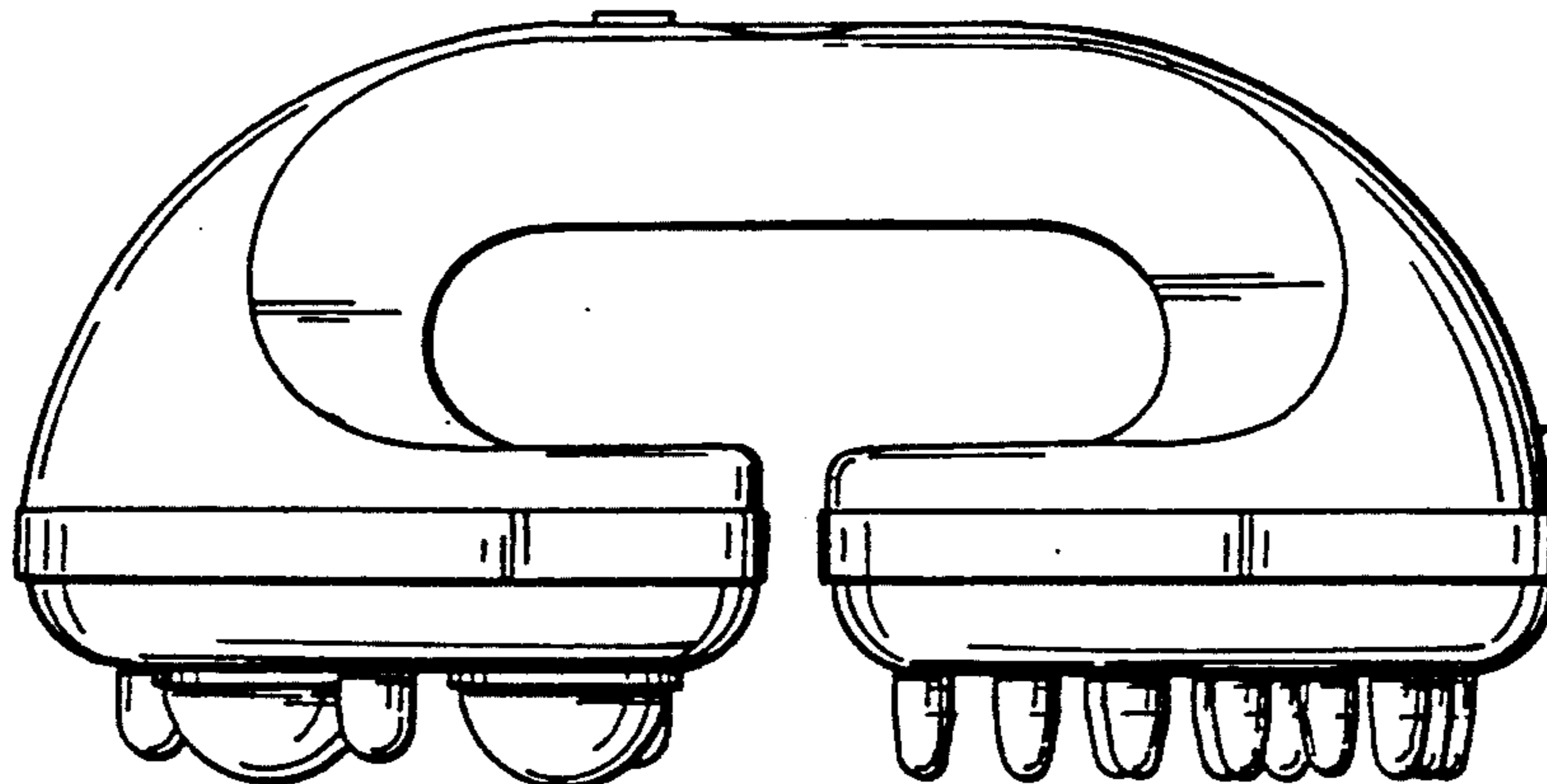
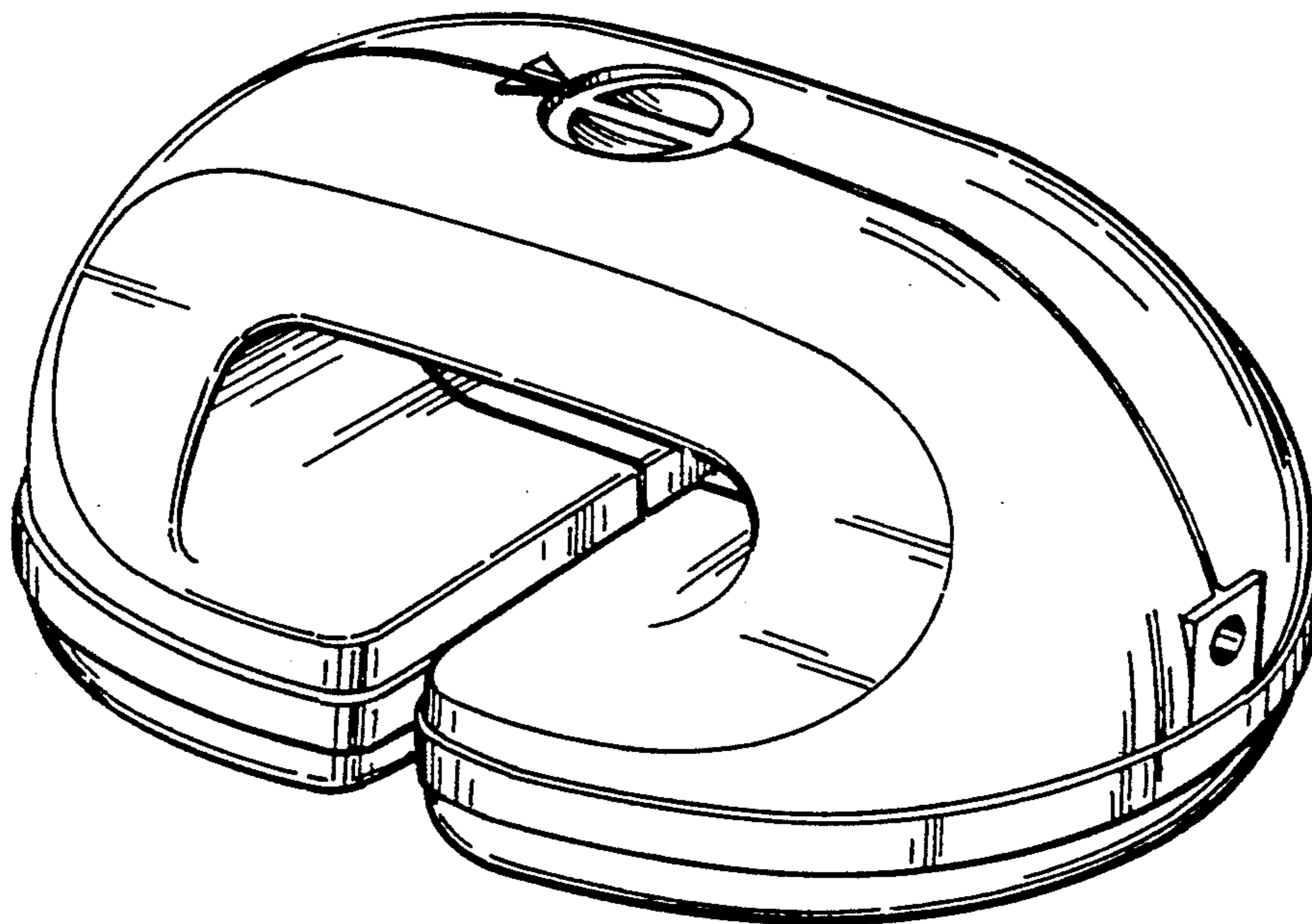
FIG. 5 is an end elevational view thereof; and,

FIG. 6 is an end elevational view thereof, opposite that shown in FIG. 5.

[56] **References Cited**

### U.S. PATENT DOCUMENTS

D. 262,908 2/1982 Pesco ..... D24/211



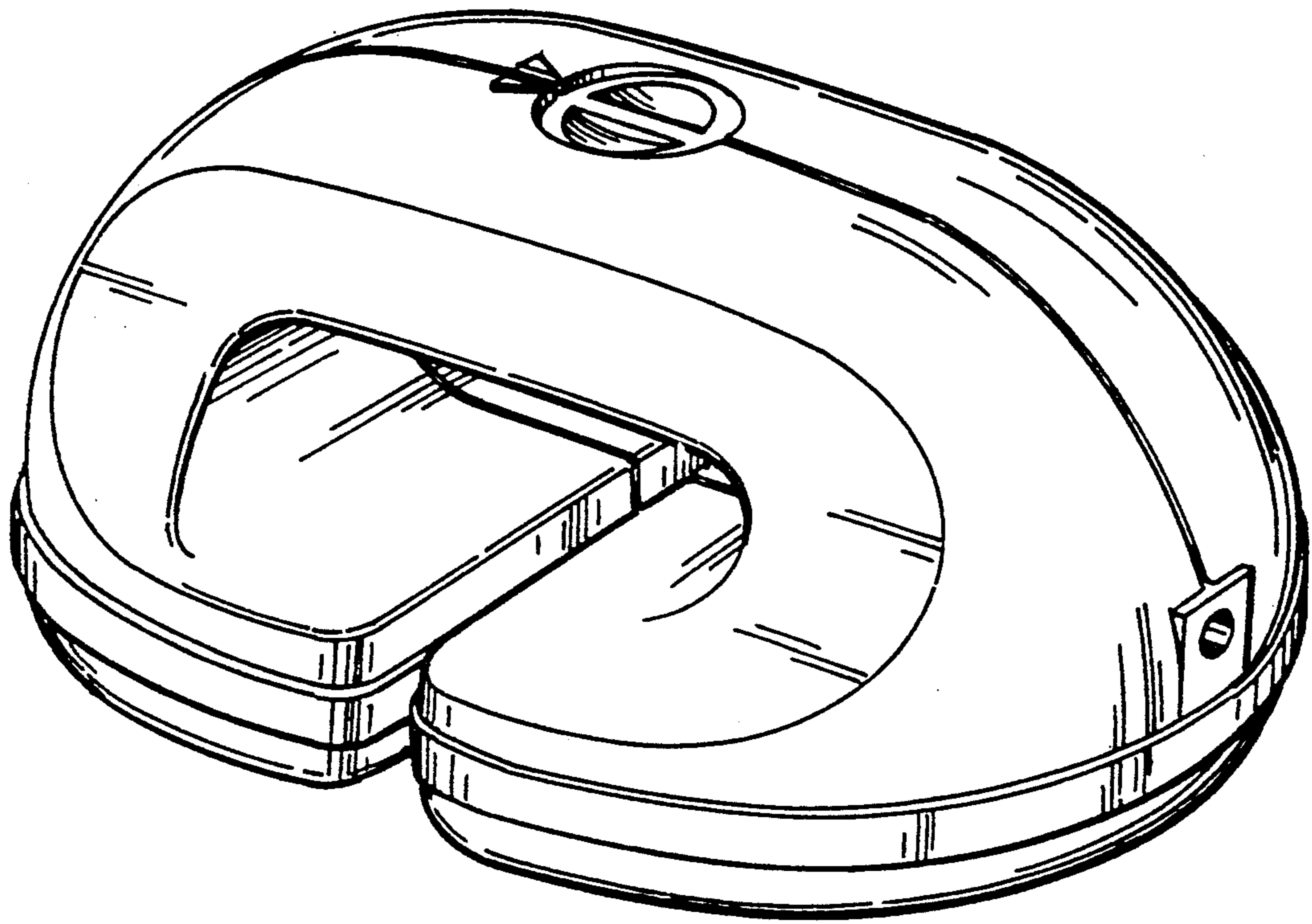


FIG.1

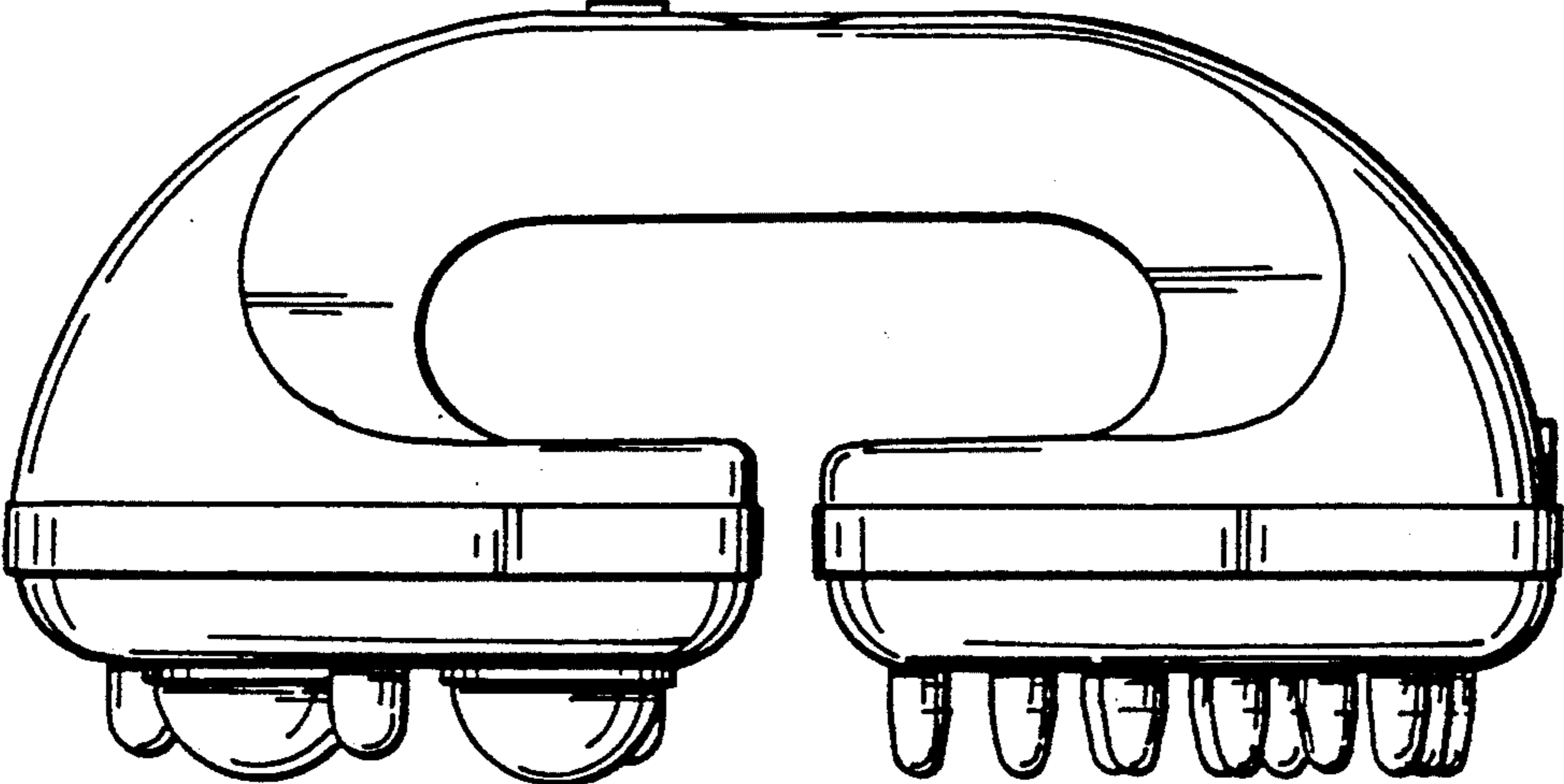


FIG. 2

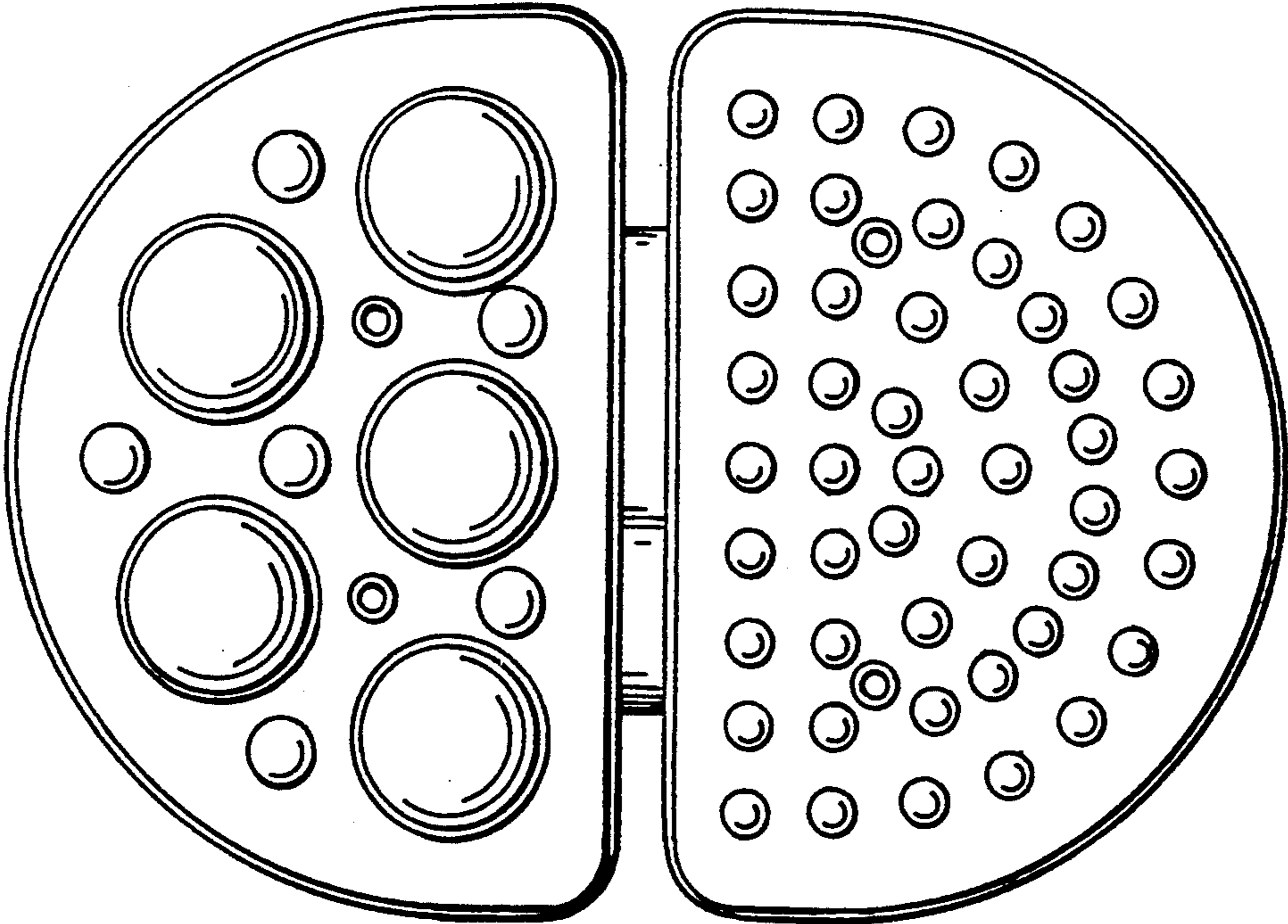


FIG. 3

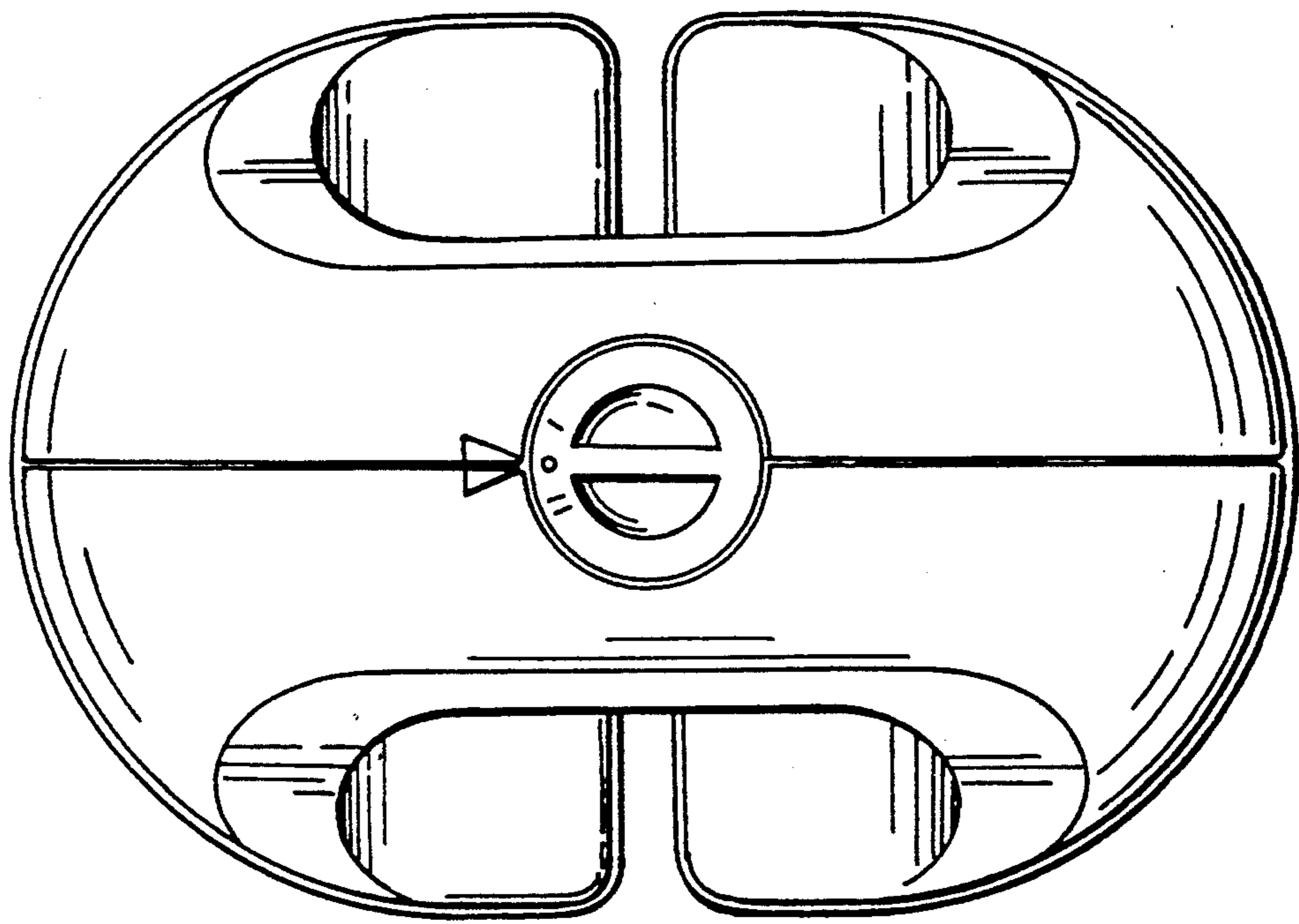


FIG.4

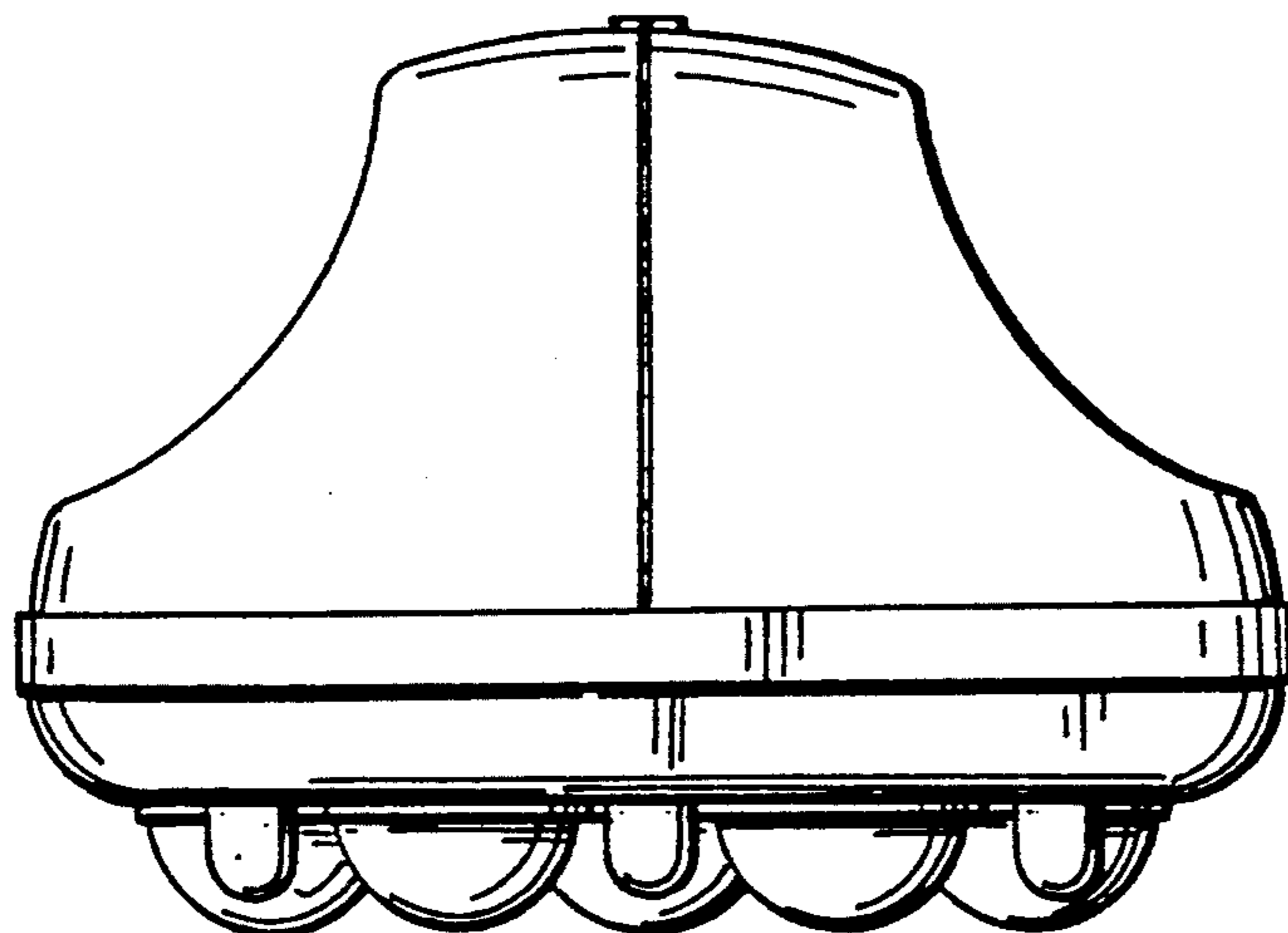


FIG. 5

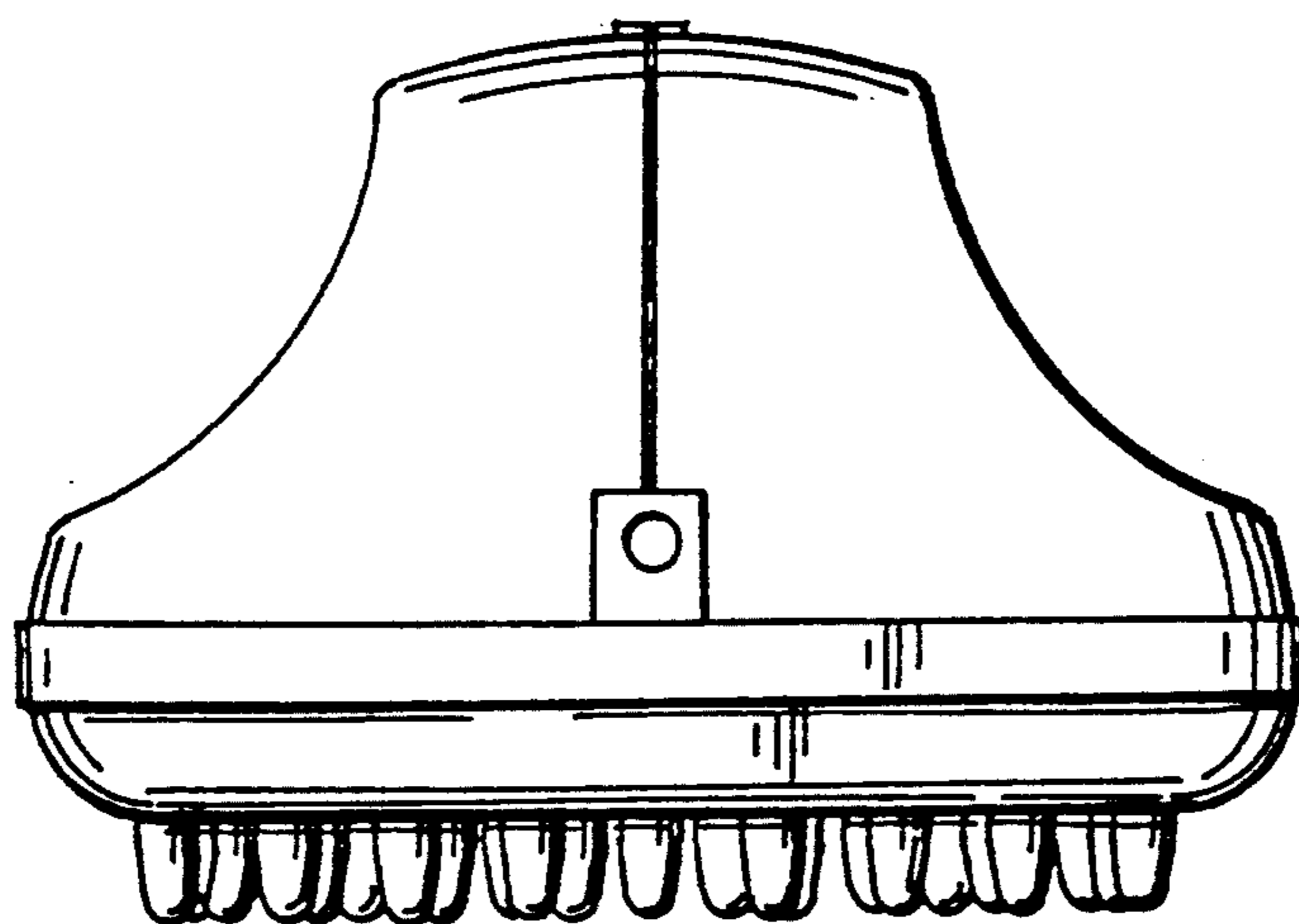


FIG. 6