



US00D331458S

# United States Patent [19]

[11] Patent Number: **Des. 331,458**

Saito et al.

[45] Date of Patent: **\*\* Dec. 1, 1992**

[54] AIR CONDITIONER

[56] References Cited

[75] Inventors: **Takeshi Saito; Nobuo Hata; Miyoshi Miwa; Eiji Horino**, all of Kamakura, Japan

### U.S. PATENT DOCUMENTS

D. 283,838 5/1986 Kimura ..... D23/354  
D. 304,073 10/1989 Ikeda et al. .... D23/351

[73] Assignee: **Mitsubishi Denki Kabushiki Kaisha**, Tokyo, Japan

*Primary Examiner*—Wallace R. Burke  
*Assistant Examiner*—Lisa Lichtenstein  
*Attorney, Agent, or Firm*—Oblon, Spivak, McClelland, Maier & Neustadt

[\*] Notice: The portion of the term of this patent subsequent to Oct. 27, 2006 has been disclaimed.

### [57] CLAIM

The ornamental design for an air conditioner, as shown and described.

[\*\*] Term: **14 Years**

### DESCRIPTION

[21] Appl. No.: **670,202**

FIG. 1 is a front elevational view of an air conditioner showing our new design;

FIG. 2 is a rear elevational view thereof;

[22] Filed: **Mar. 15, 1991**

FIG. 3 is a top plan view thereof, the bottom being a mirror image of that shown;

### [30] Foreign Application Priority Data

Sep. 18, 1990 [JP] Japan ..... 2-31405

FIG. 4 is a left side elevational view thereof, the right side being a mirror image of that shown;

[52] U.S. Cl. .... **D23/351**

FIG. 5 is an enlarged cross-sectional view thereof taken on line 5—5 of FIG. 1, wherein internal members are omitted; and,

[58] Field of Search ..... D23/351, 353, 352, 354; 98/40.05, 40.1, 40.15, 40.17; 454/292, 296, 302, 304

FIG. 6 is a front, side, and top perspective view thereof.

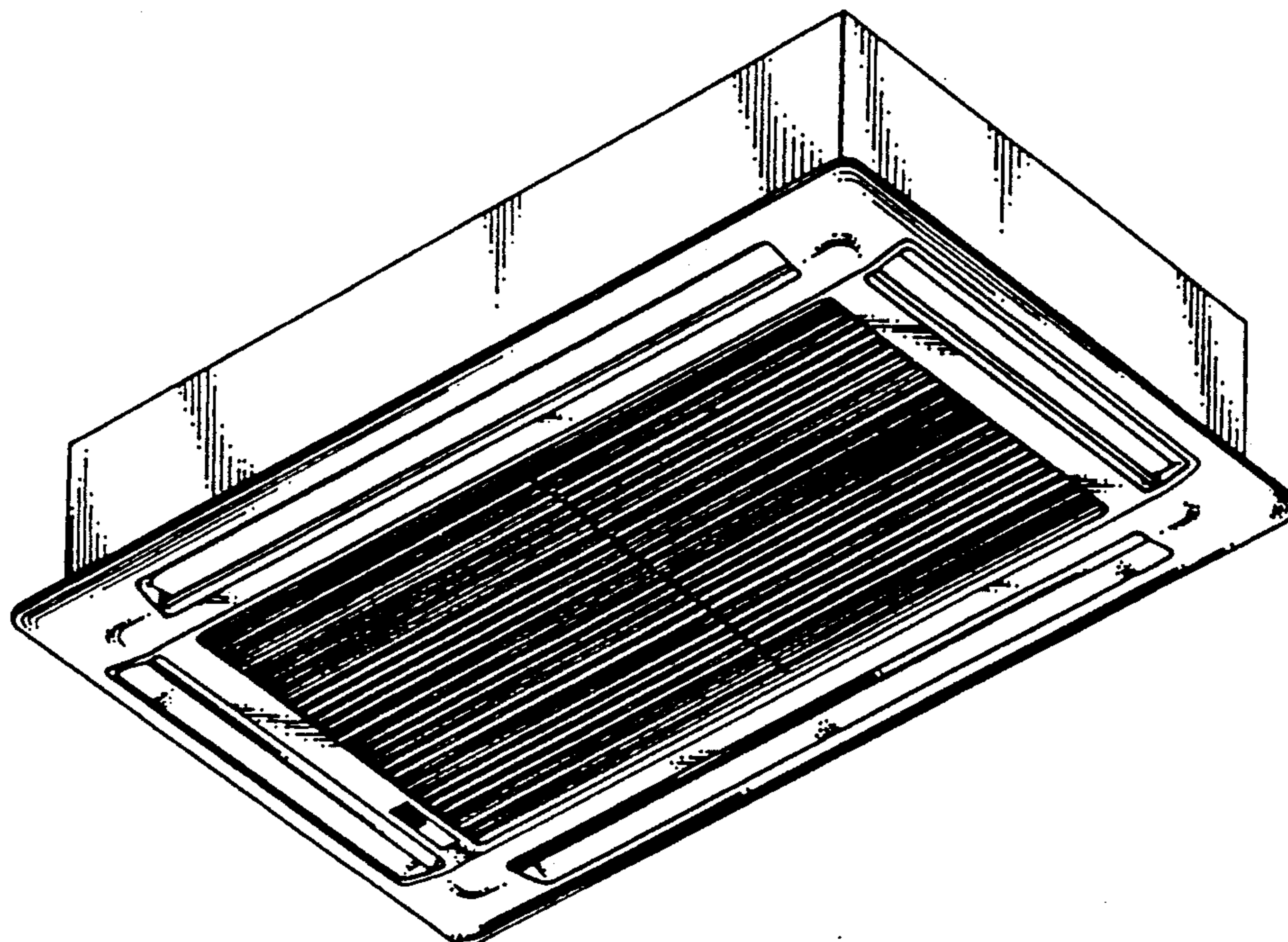
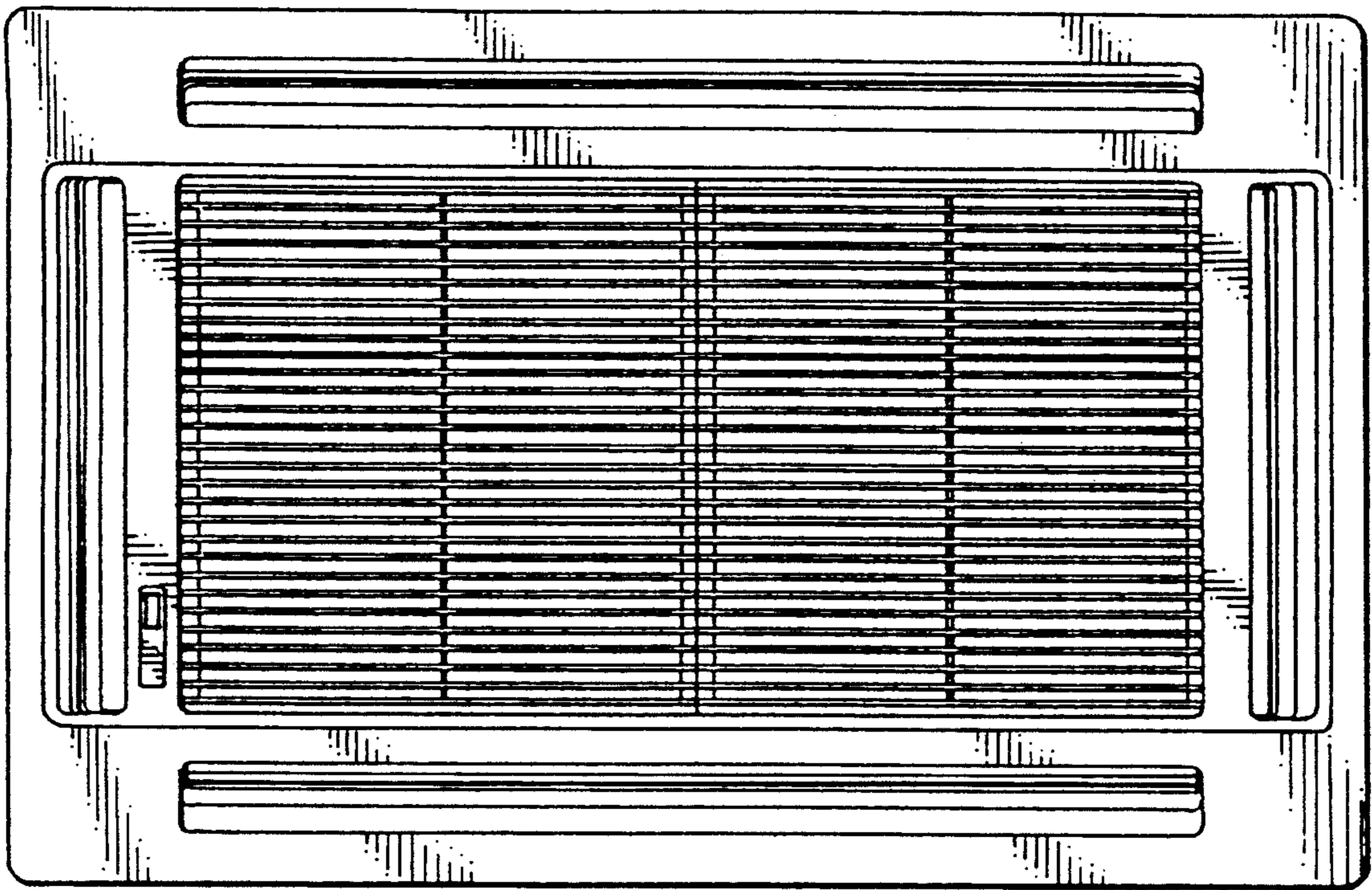


FIG. 1

5.



5.

FIG. 3

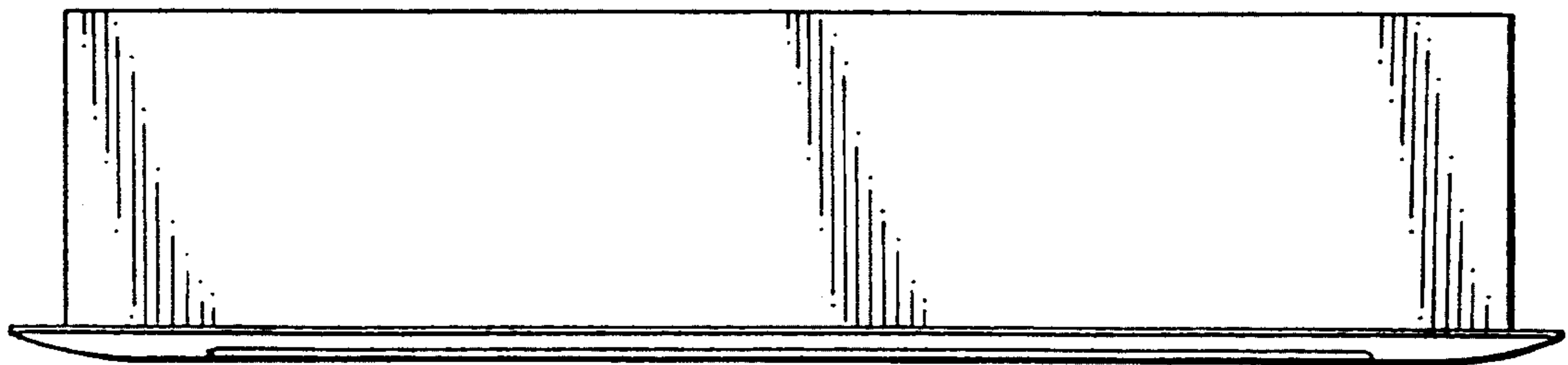


FIG. 2

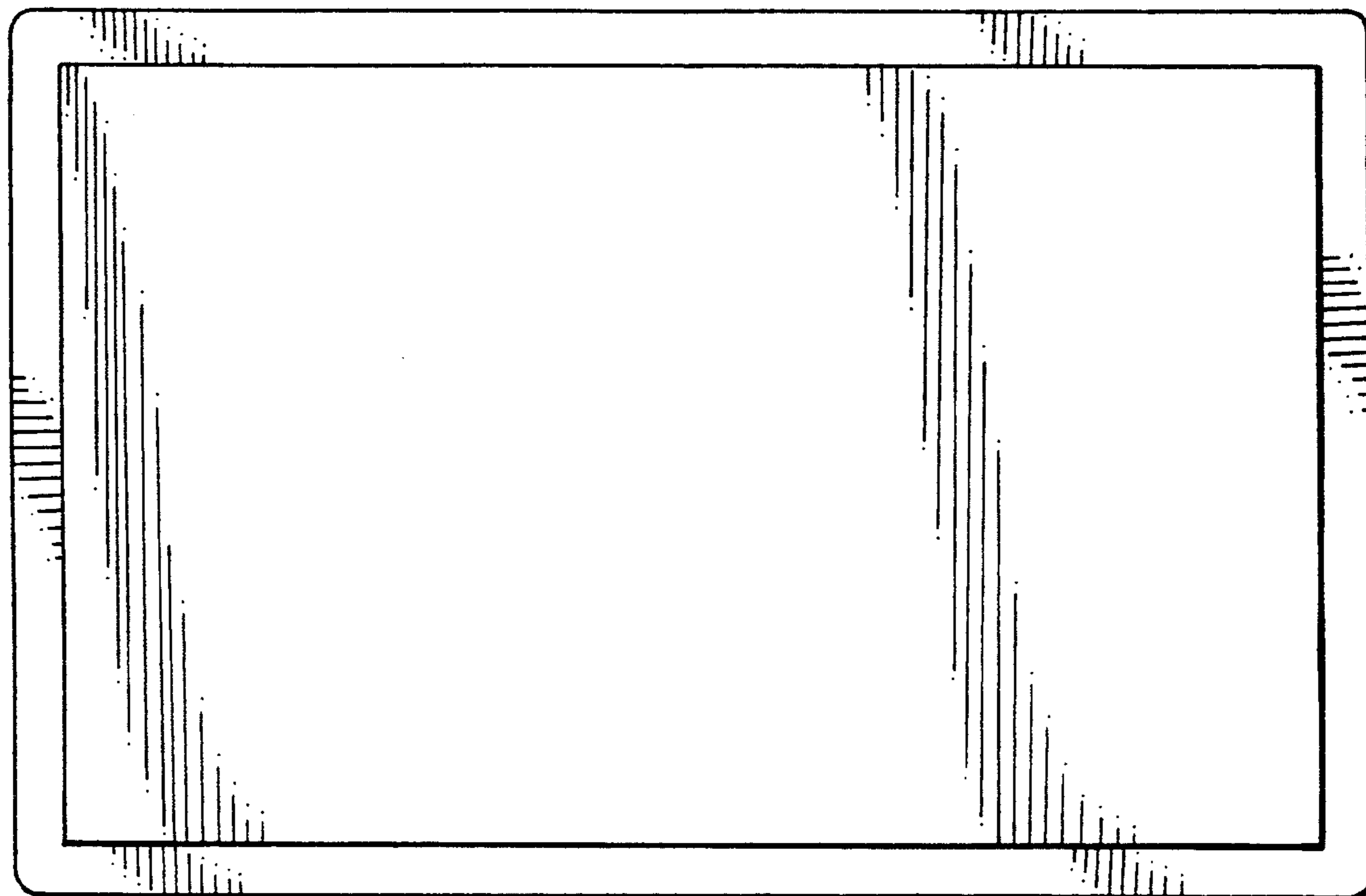


FIG. 4

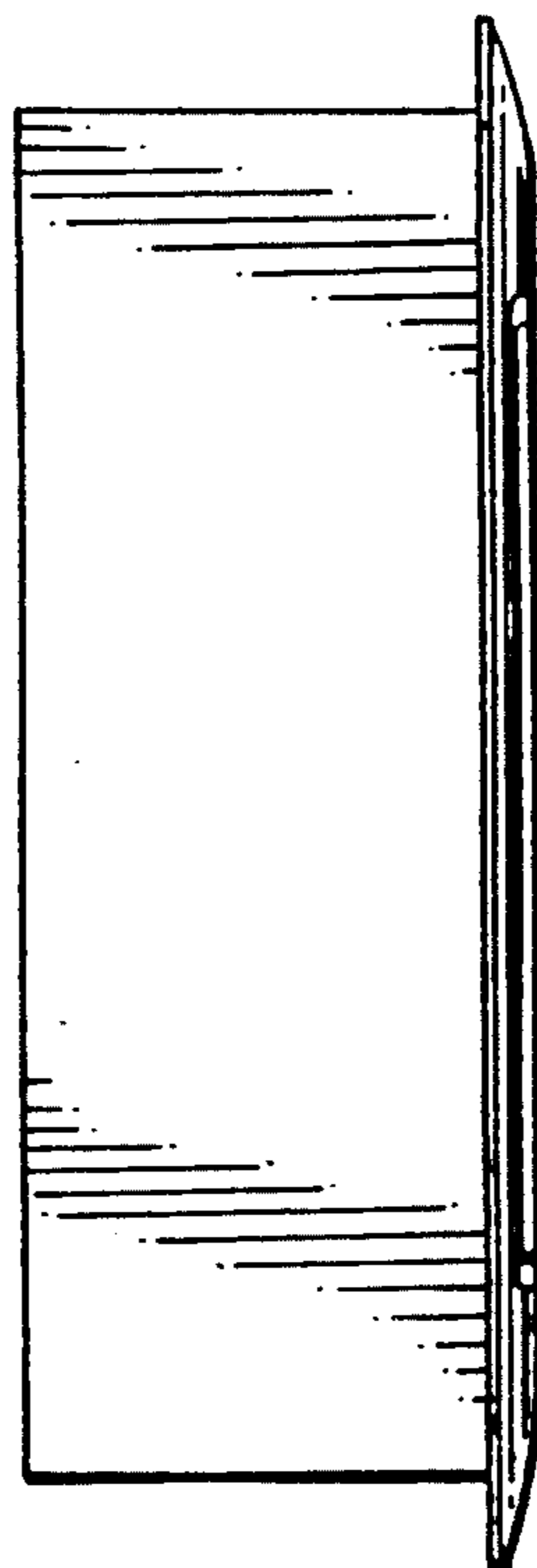


FIG. 5

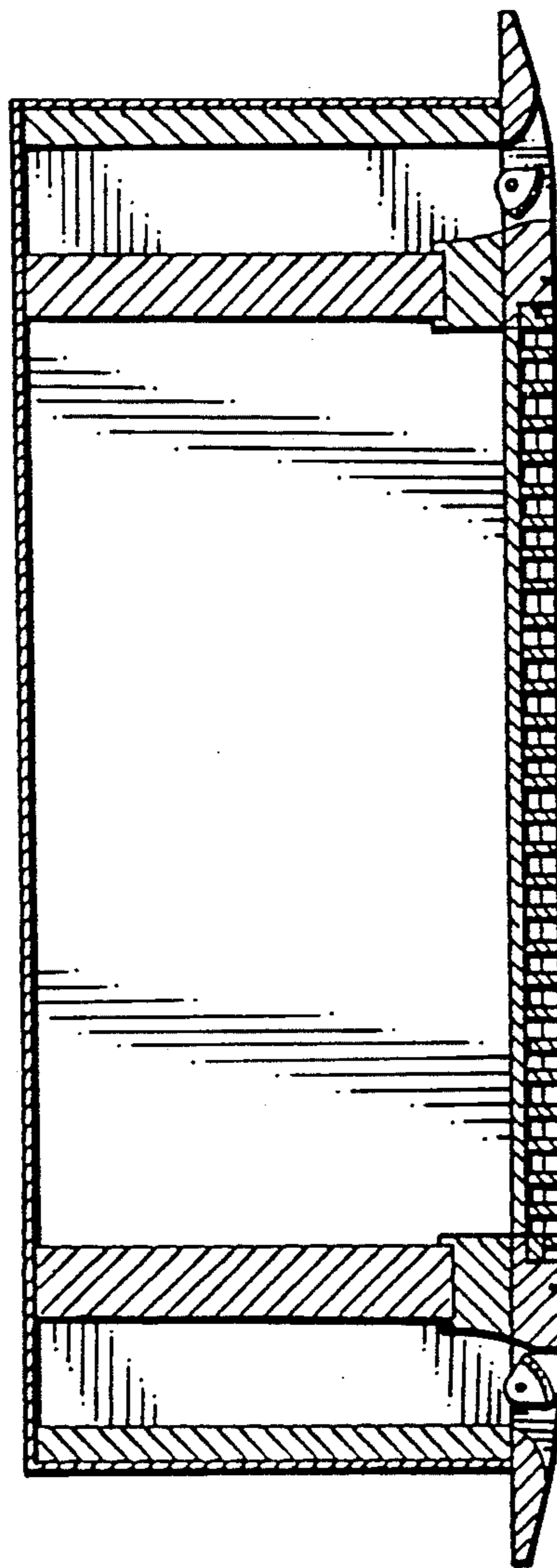


FIG. 6

