



US00D331455S

United States Patent [19]

[11] Patent Number: **Des. 331,455**

Gatarz

[45] Date of Patent: **** Dec. 1, 1992**

- [54] **REINFORCING EXTERIOR SHELL FOR A BATHTUB**
- [75] Inventor: **Gregory M. Gatarz, East Brunswick, N.J.**
- [73] Assignee: **American Standard Inc., New York, N.Y.**
- [**] Term: **14 Years**
- [21] Appl. No.: **467,227**
- [22] Filed: **Jan. 19, 1990**
- [52] U.S. Cl. **D23/304**
- [58] Field of Search **D23/275, 277-283, D23/303-307; 4/538, 555, 556, 571, 573-579, 584, 589, 590, 592, 593, 619**

- 4,043,853 8/1977 Saladino 4/538 X
- 4,053,545 10/1977 Fay 4/538 X
- 4,179,760 12/1979 Nakagawa 4/619 X
- 4,209,862 7/1980 Cortes-Garza 4/584
- 4,289,717 9/1981 Bartz 4/584
- 4,316,294 2/1982 Baldwin 4/584 X
- 4,844,944 7/1989 Graefe et al. 4/538 X

Primary Examiner—James R. Largen
Attorney, Agent, or Firm—Blum Kaplan

[57] CLAIM

An ornamental reinforcing exterior shell for a bathtub, as shown and described.

DESCRIPTION

FIG. 1 is a bottom perspective view of a reinforcing exterior shell for a bathtub showing my new design; FIG. 2 is a top perspective view thereof; FIG. 3 is a bottom plan view thereof; FIG. 4 is a side elevational view thereof, the opposite side being a mirror image of the side shown; FIG. 5 is a rear elevational view thereof; FIG. 6 is a cross sectional view taken on line 6—6 of FIG. 3; FIG. 7 is a cross sectional view taken on line 7—7 of FIG. 3; and, FIG. 8 is a top plan view thereof. The broken line representation of a bathtub in FIG. 2 is for purposes of illustration only and forms no part of the claimed design.

[56] References Cited

U.S. PATENT DOCUMENTS

- D. 206,145 11/1966 Yormack D23/304 X
- D. 216,120 11/1969 Niemann et al. D23/277
- D. 269,460 6/1983 Kohler, Jr. D23/287
- D. 282,963 3/1986 Alger D23/277
- D. 300,846 4/1989 Kurokawa D23/281
- D. 314,611 2/1991 Doman et al. D23/281
- 2,168,079 8/1939 Zinkil 4/577 X
- 2,468,347 4/1949 Restall 4/584
- 2,602,935 7/1952 Phillips 4/584
- 3,264,657 8/1966 Klinkner D23/304 X
- 3,826,629 7/1974 Pryor et al. 4/538 X

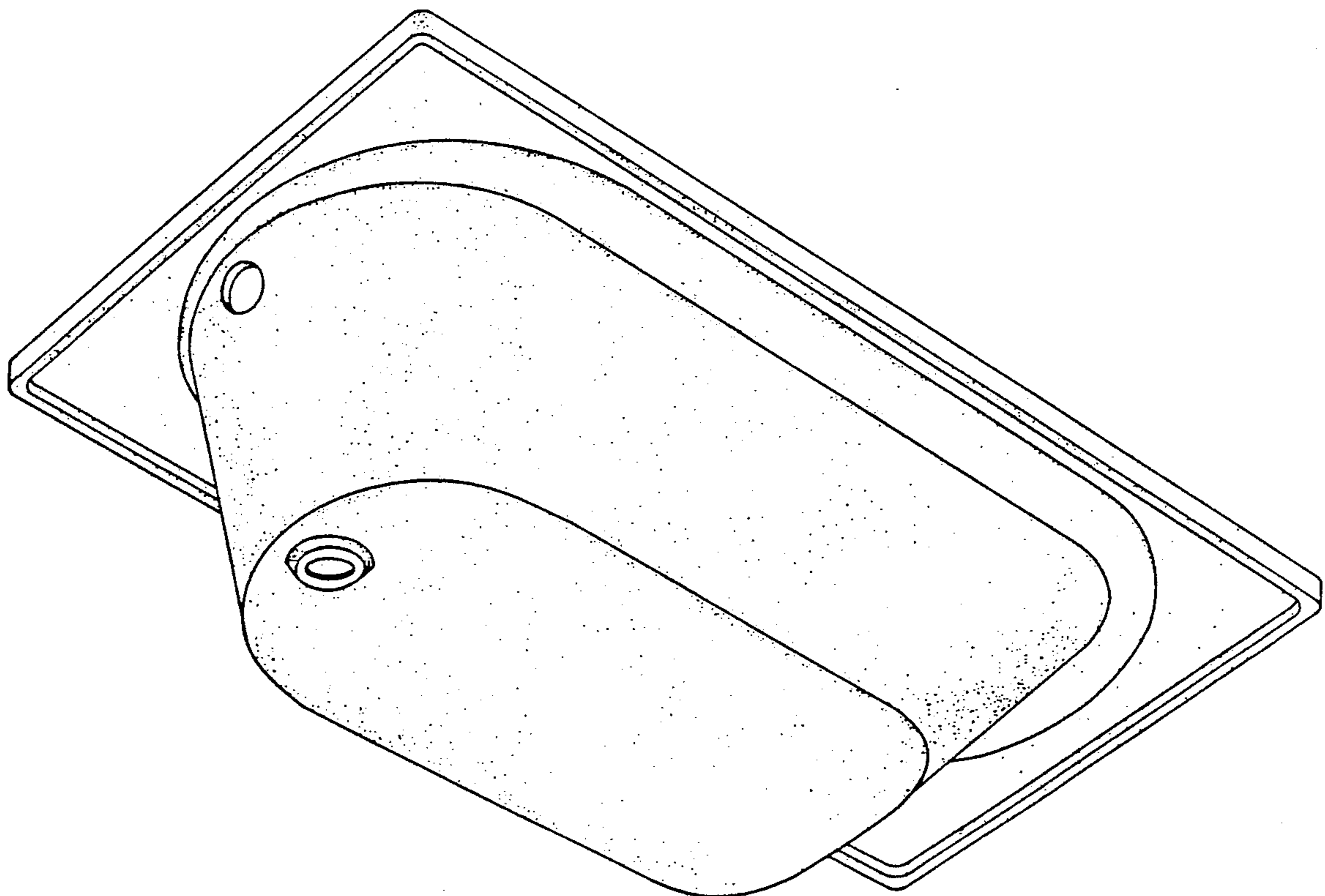


FIG. 1

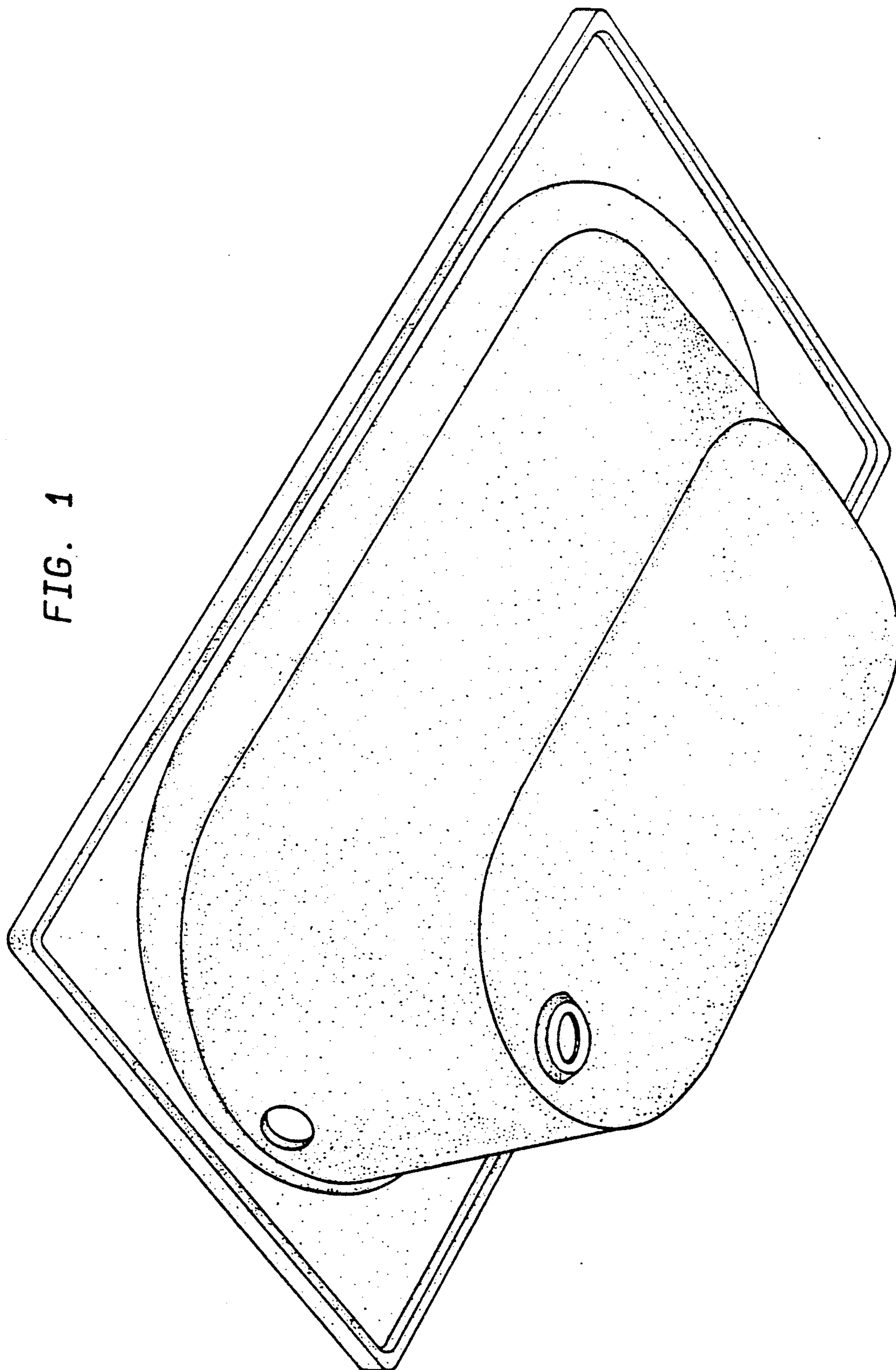


FIG. 2

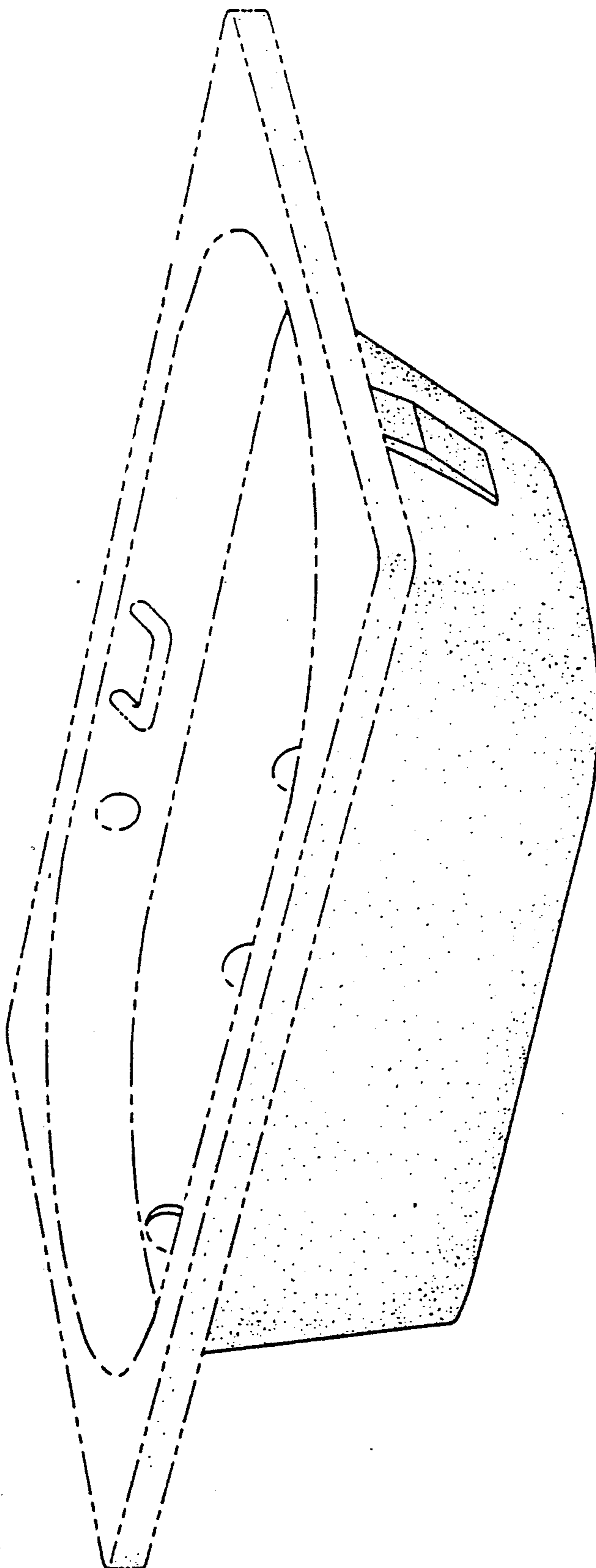


FIG. 3

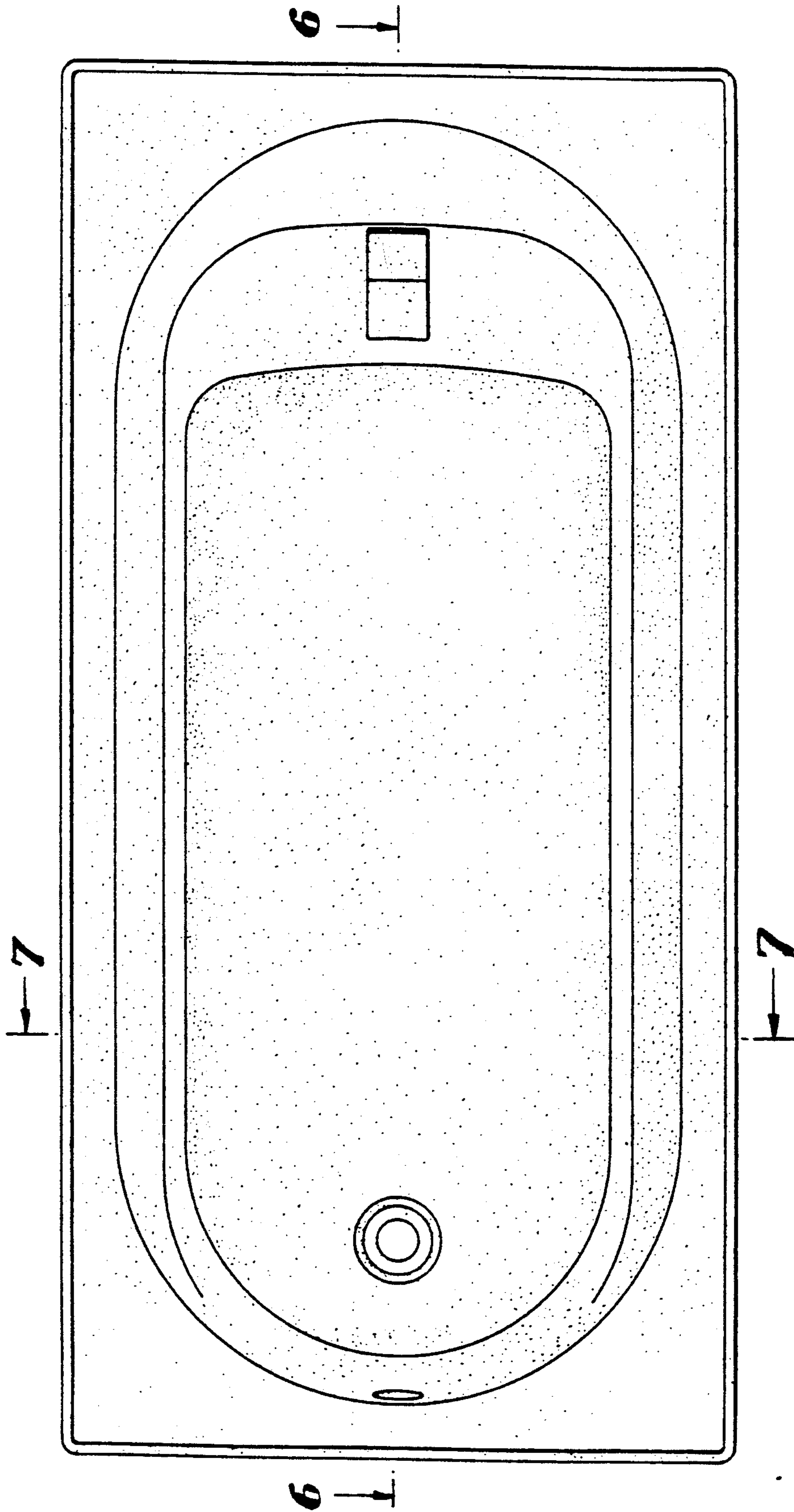


FIG. 4

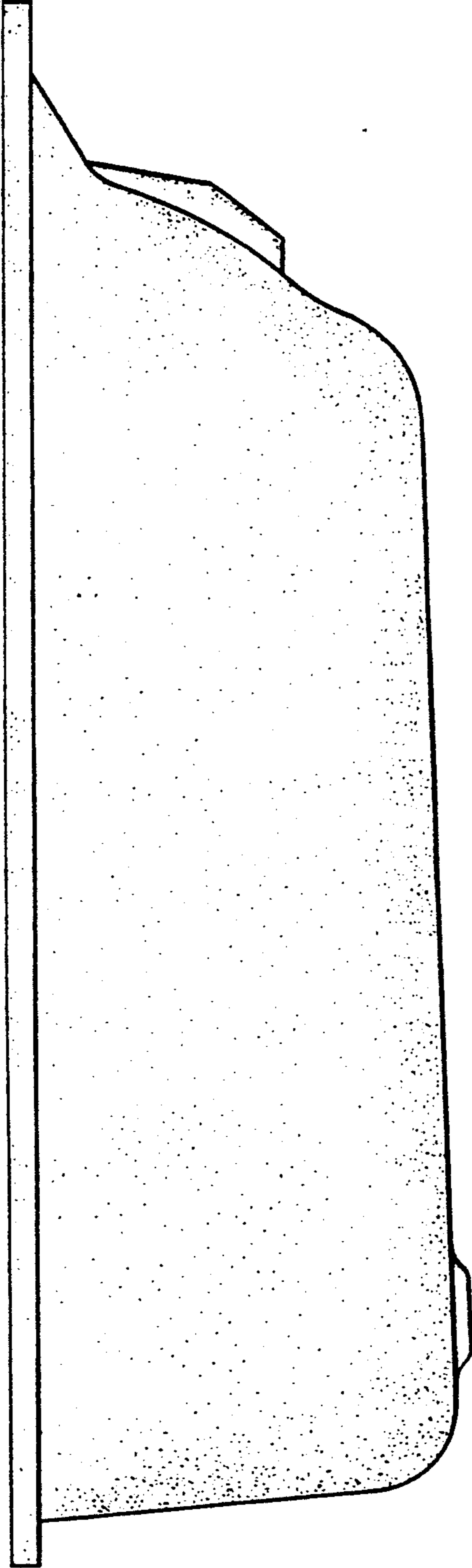


FIG. 5

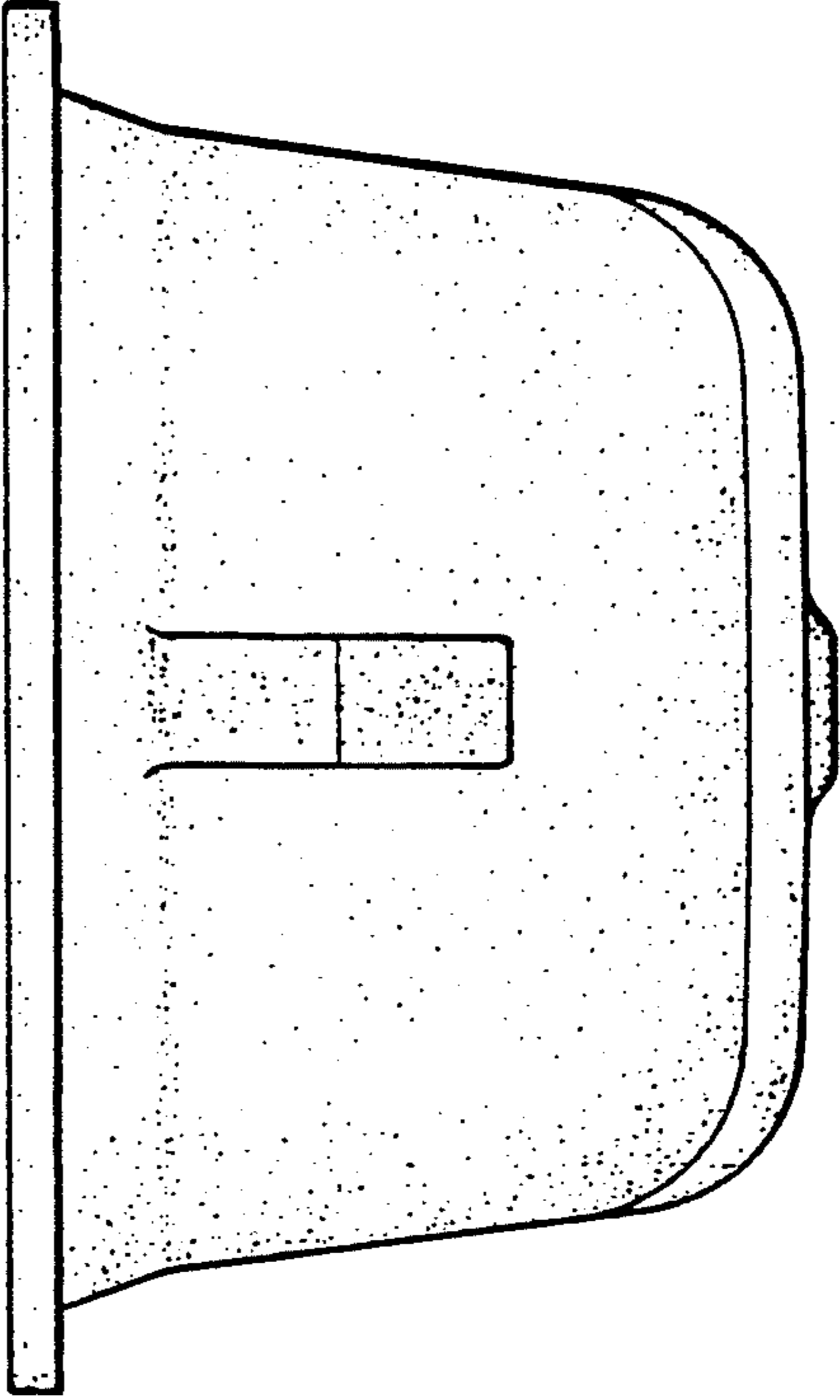


FIG. 6

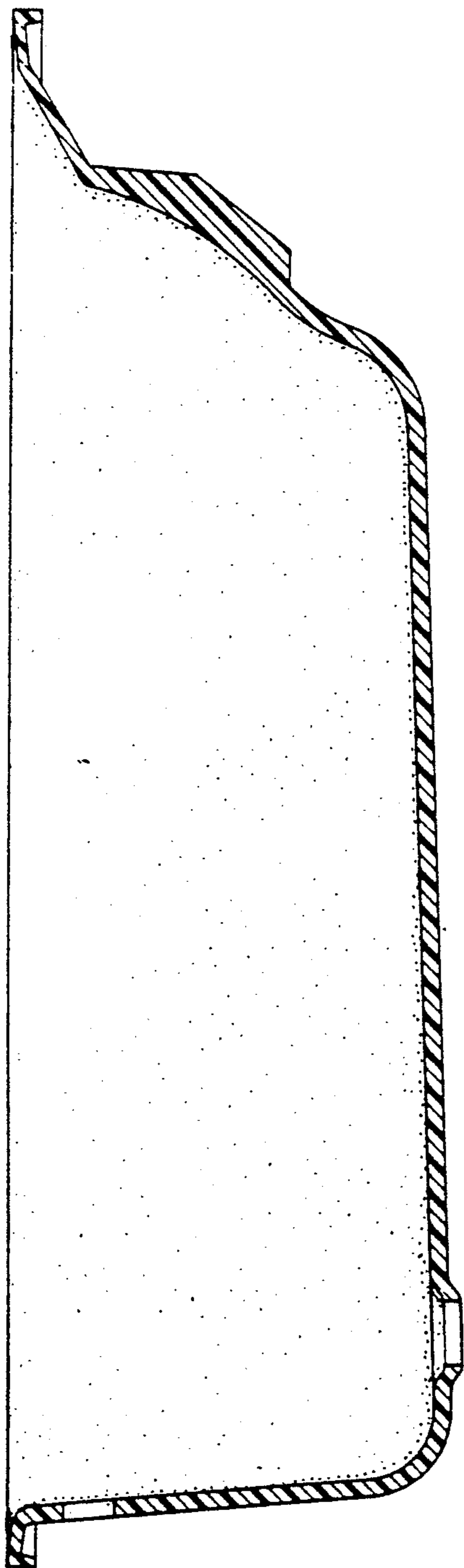


FIG. 7

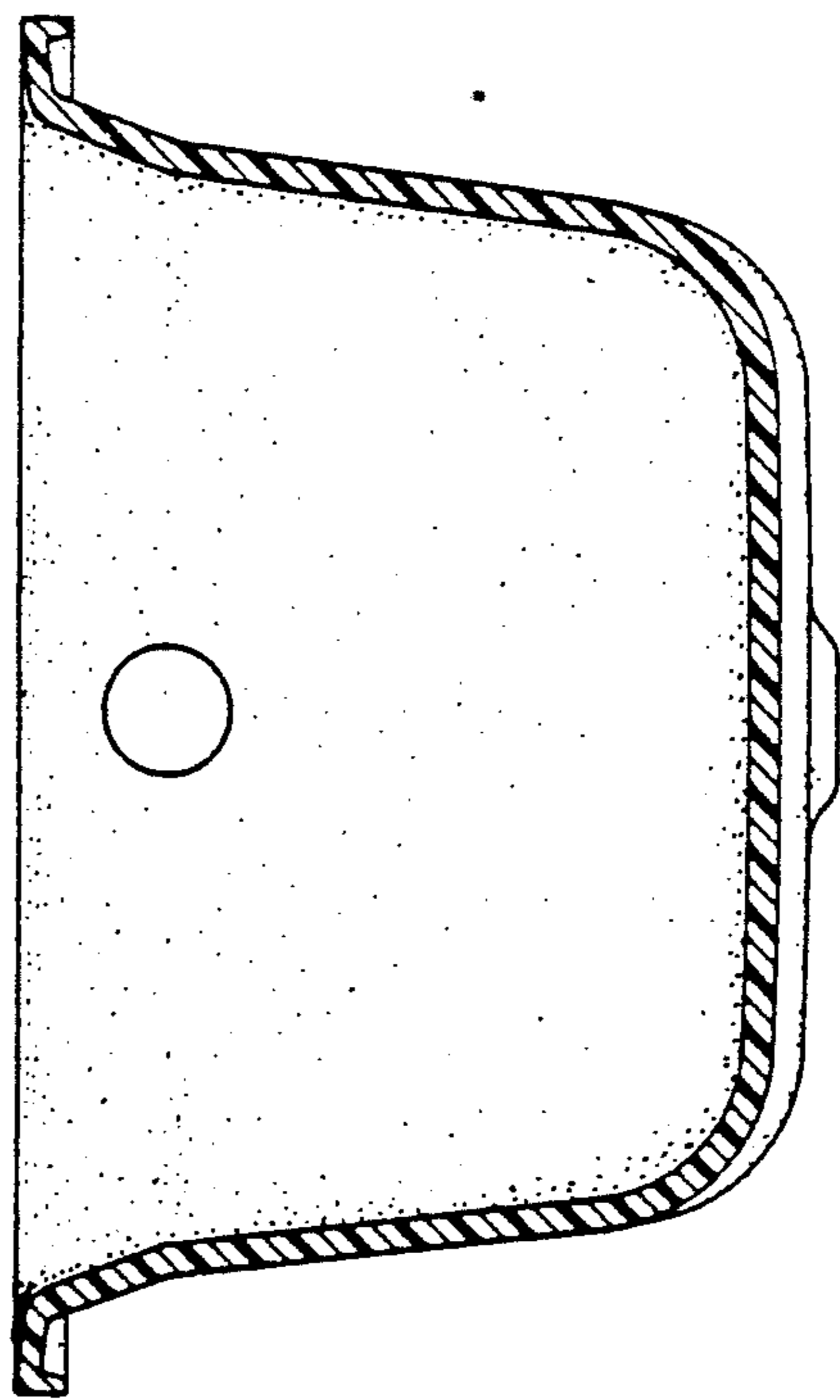


FIG. 8

