



US00D331454S

# United States Patent [19] New

[11] Patent Number: **Des. 331,454**  
[45] Date of Patent: **\*\* Dec. 1, 1992**

[54] **BIDET UNIT FOR A TOILET**

[76] Inventor: **H. W. New, 25188 Marion Unit  
F-409, Punta Gorda, Fla. 33950**

[\*] Notice: The portion of the term of this patent subsequent to Dec. 1, 2006 has been disclaimed.

[\*\*] Term: **14 Years**

[21] Appl. No.: **580,002**

[22] Filed: **Sep. 10, 1990**

[52] U.S. Cl. .... **D23/295**

[58] Field of Search ..... **D23/276, 295, 303, 309;  
4/420.1-420.5, 443-448**

[56] **References Cited**

**U.S. PATENT DOCUMENTS**

D. 279,924	7/1985	Osgood	.....	D23/295	X
D. 281,098	10/1985	Jennings	.....	D23/213	
3,430,268	3/1969	Zoberg	.....	4/420.1	
3,513,487	5/1970	Palermo et al.	.....	4/420.4	
3,605,124	9/1971	Marcard et al.	.....	4/420.2	
4,135,255	1/1979	Menendez	.....	4/448	

4,441,219	4/1984	Epstein	.....	4/420.4	X
4,550,454	11/1985	Yui	.....	4/420.1	X
4,642,820	2/1987	Boring, Jr.	.....	4/448.1	X
5,003,645	4/1991	Alonso	.....	4/448	
5,023,961	6/1991	Alonso	.....	4/420.4	X

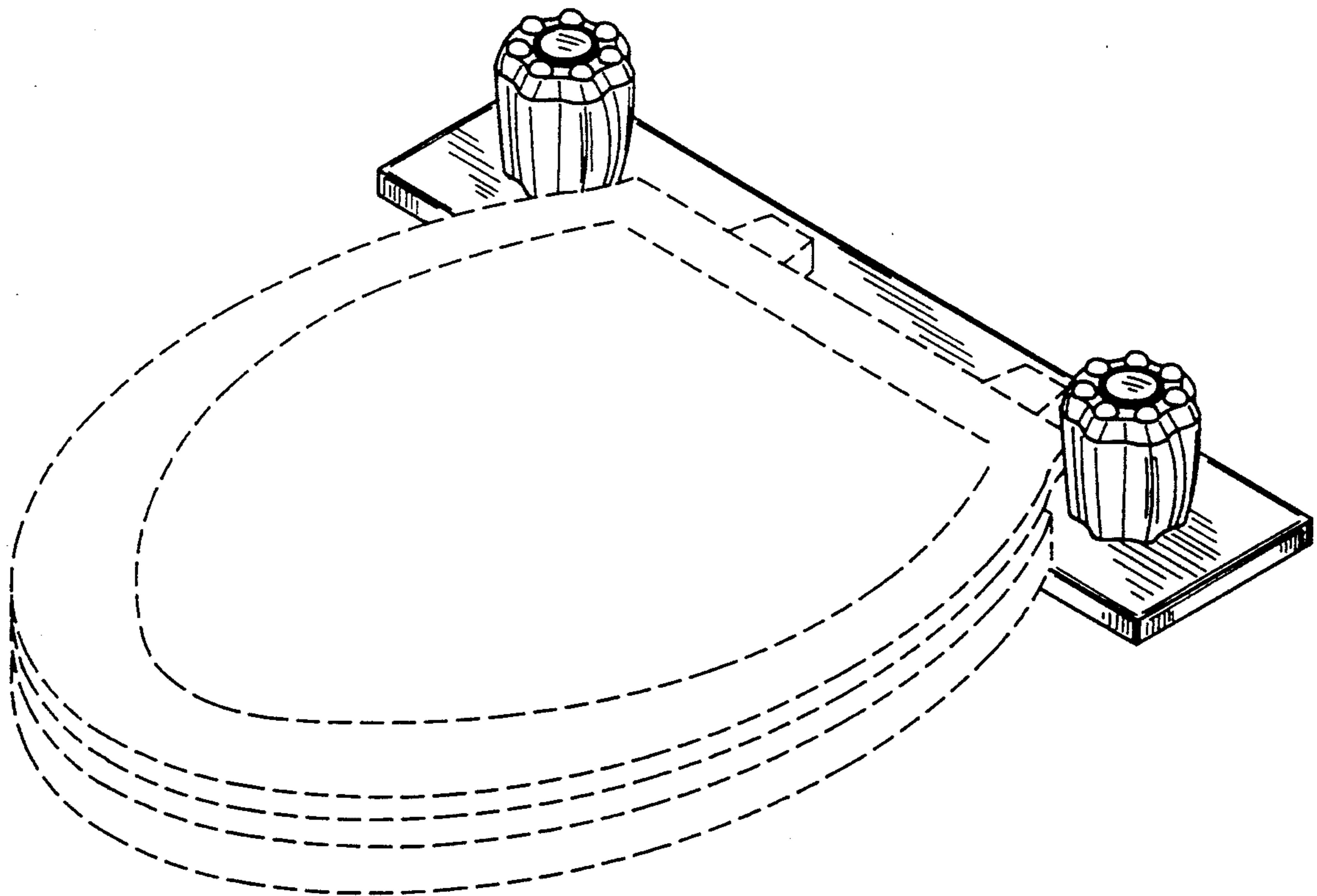
*Primary Examiner*—James R. Largen  
*Attorney, Agent, or Firm*—James D. Birkenholz

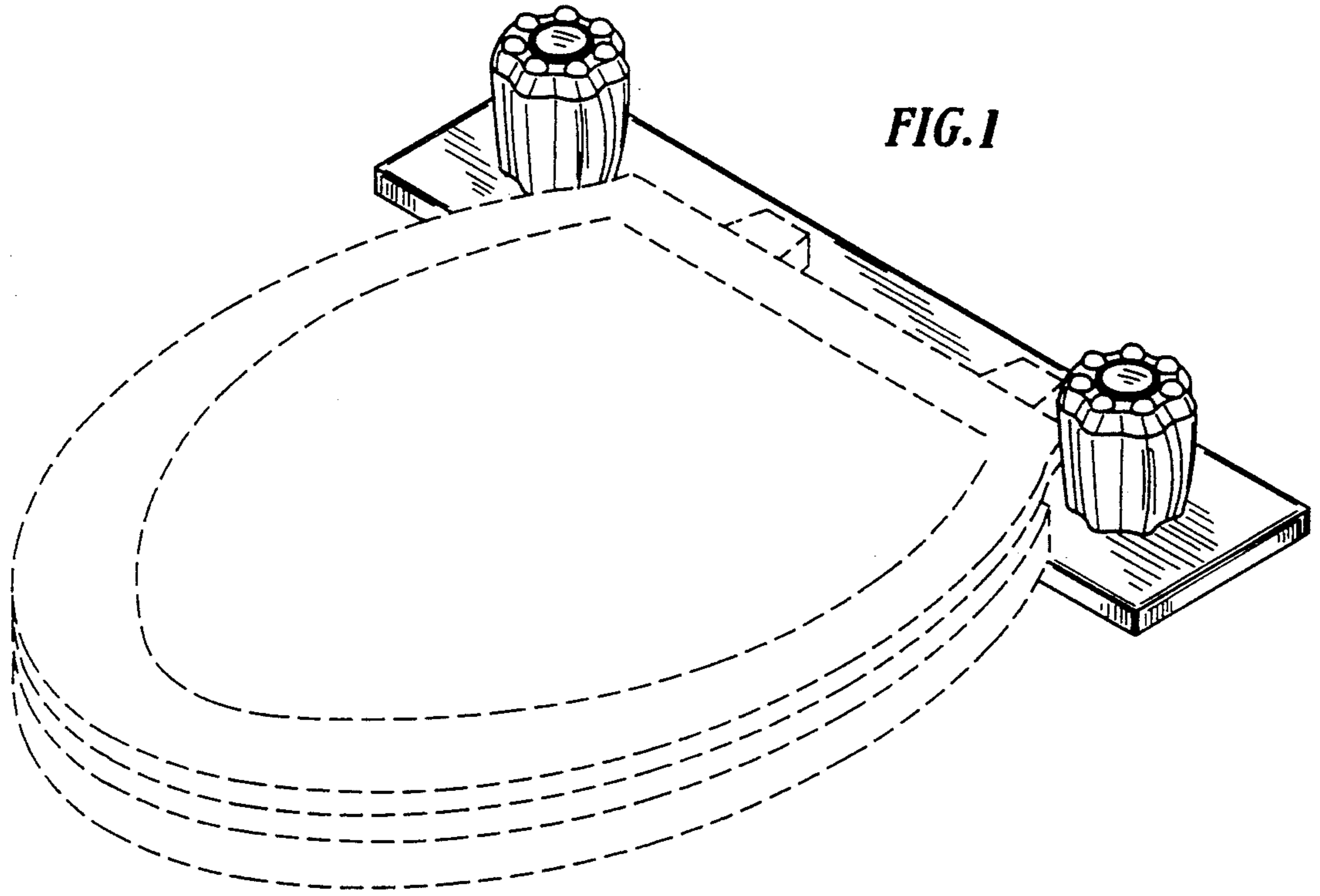
[57] **CLAIM**

The ornamental design of bidet unit for a toilet, as shown.

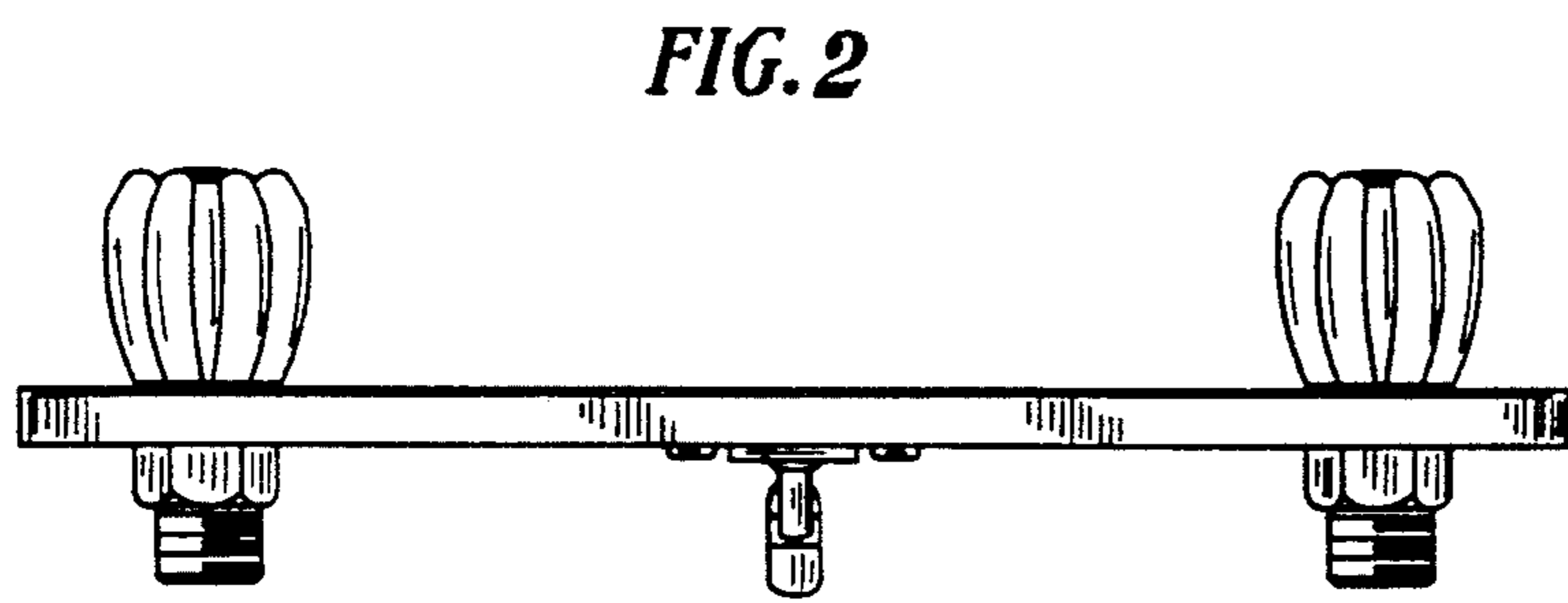
**DESCRIPTION**

FIG. 1 is a top perspective view of the bidet unit for a toilet showing my new design;  
FIG. 2 is a rear elevational view thereof;  
FIG. 3 is a left side elevational view thereof, the right side being a mirror image of the left side;  
FIG. 4 is a front elevational view thereof;  
FIG. 5 is a top plan elevational view thereof; and,  
FIG. 6 is a bottom plan view thereof.  
The broken line representation of a toilet seat and toilet seat cover in FIGS. 1 and 6 are for purposes of illustration only and form no part of the claimed design.

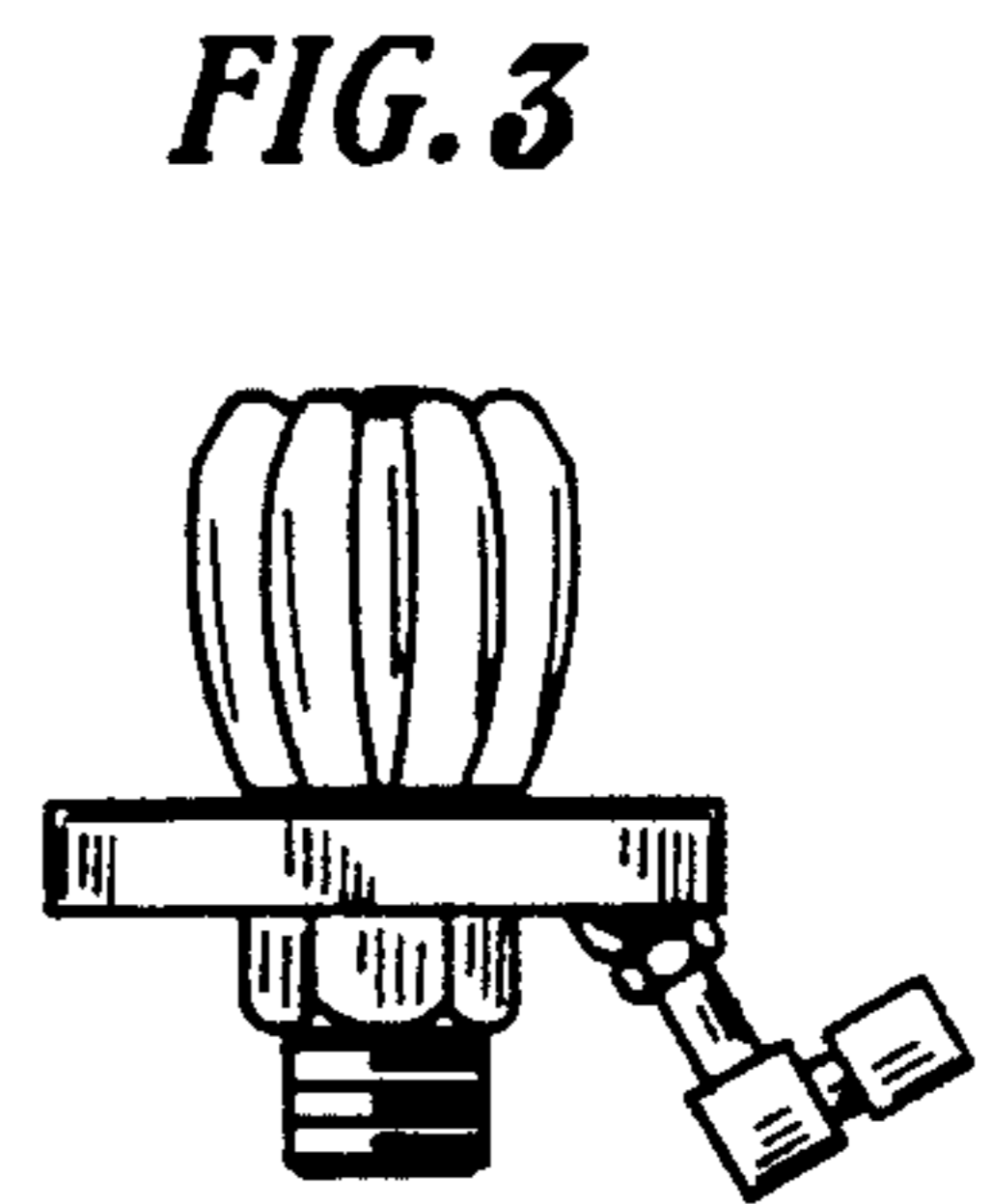




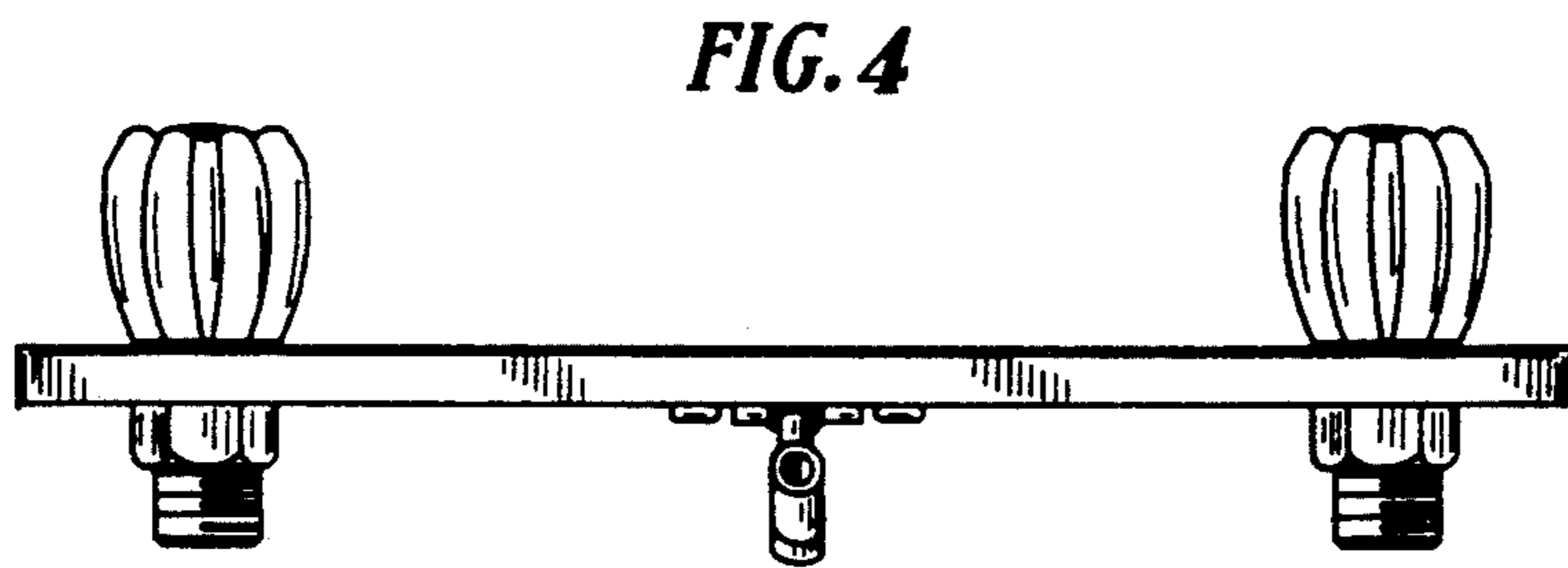
**FIG. 1**



**FIG. 2**

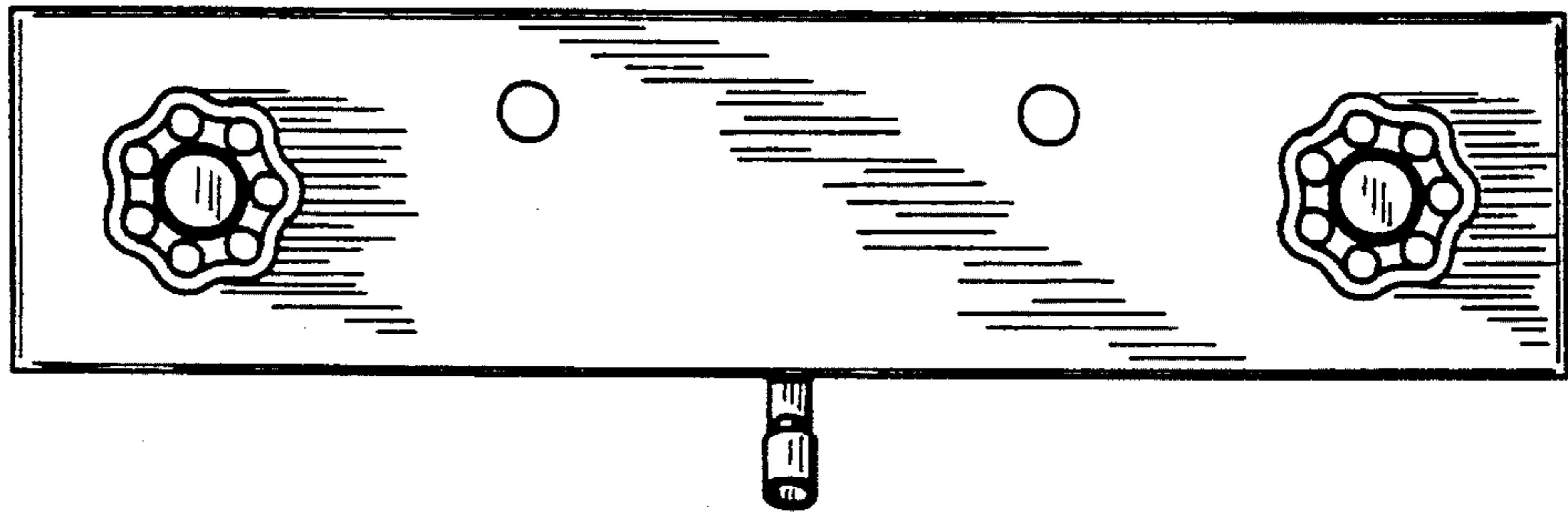


**FIG. 3**



**FIG. 4**

*FIG. 5*



*FIG. 6*

