



US00D331453S

United States Patent [19] New

[11] Patent Number: **Des. 331,453**
[45] Date of Patent: **** Dec. 1, 1992**

[54] **BIDET UNIT FOR A TOILET**
[76] Inventor: **H. W. New, 25188 Marion Unit
F-409, Punta Gorda, Fla. 33950**
[*] Notice: The portion of the term of this patent
subsequent to Dec. 1, 2006 has been
disclaimed.
[**] Term: **14 Years**
[21] Appl. No.: **556,212**
[22] Filed: **Jul. 23, 1990**
[52] U.S. Cl. **D23/295**
[58] Field of Search **D23/276, 295, 303, 309;
4/420.1-420.5, 443-448**

4,441,219 4/1984 Epstein 4/420.4 X
4,550,454 11/1985 Yui 4/420.1 X
4,642,820 2/1987 Boring, Jr. 4/448
5,003,645 4/1991 Alonso 4/448
5,023,961 6/1991 Alonso 4/420.4 X

Primary Examiner—James R. Largen
Attorney, Agent, or Firm—James D. Birkenholz

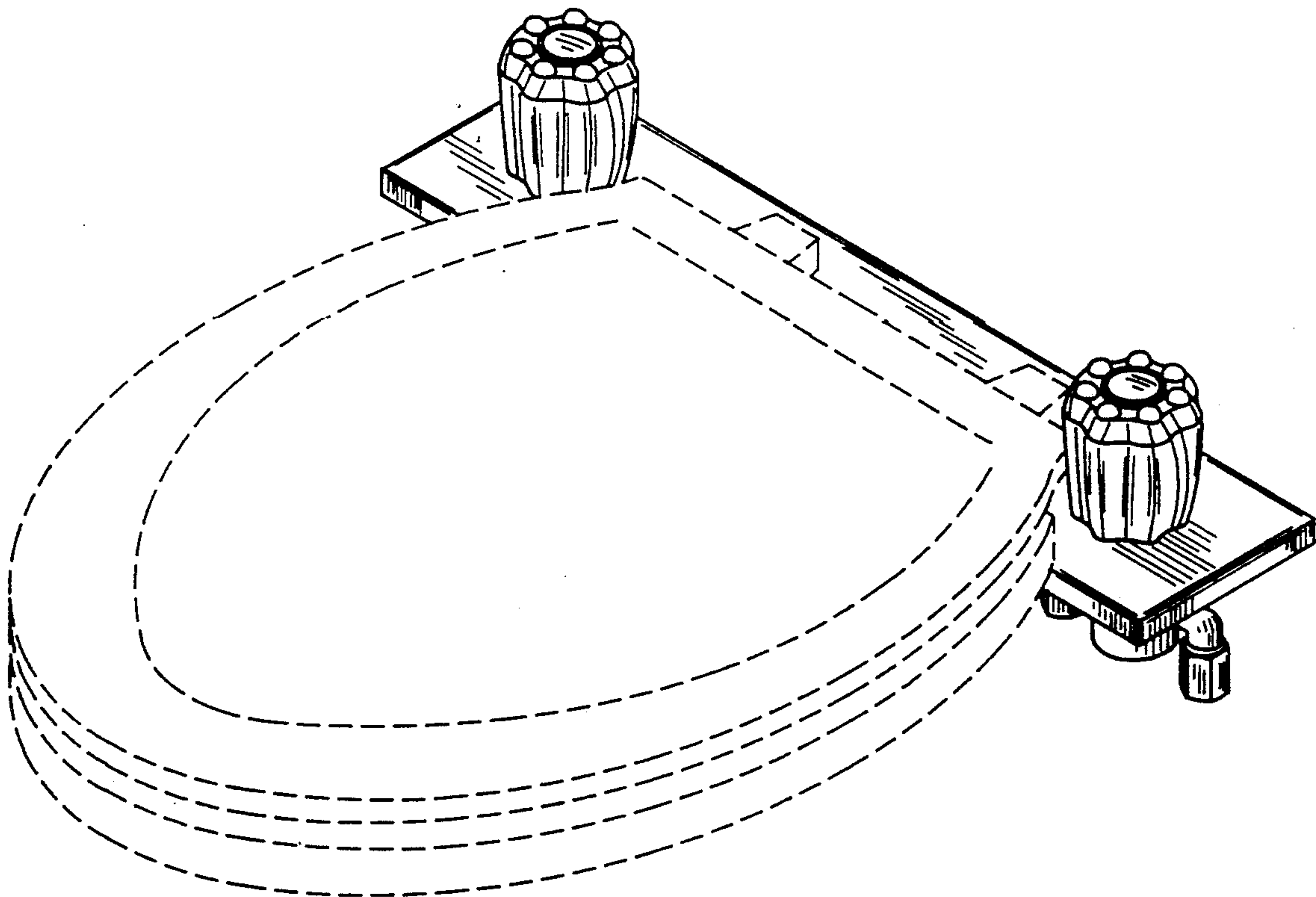
[57] CLAIM

The ornamental design of a bidet unit for a toilet, as shown.

DESCRIPTION

FIG. 1 is a top perspective view of a bidet unit for a toilet showing my new design;
FIG. 2 is a right side elevational view thereof;
FIG. 3 is a rear elevational view thereof;
FIG. 4 is a left side elevational view thereof;
FIG. 5 is a front elevational view thereof;
FIG. 6 is a top plan view thereof; and,
FIG. 7 is a bottom plan view thereof.
The broken line representation of a toilet seat and toilet seat cover in FIGS. 1 and 7 are for purposes of illustration only and form no part of the claimed design.

[56] **References Cited**
U.S. PATENT DOCUMENTS
D. 279,924 7/1985 Osgood D23/295 X
D. 281,098 10/1985 Jennings D23/213
3,430,268 3/1969 Zoberg 4/420.1
3,513,487 5/1970 Palermo et al. 4/420.4
3,605,124 9/1971 Marcard et al. 4/420.2
4,135,255 1/1979 Menendez 4/448



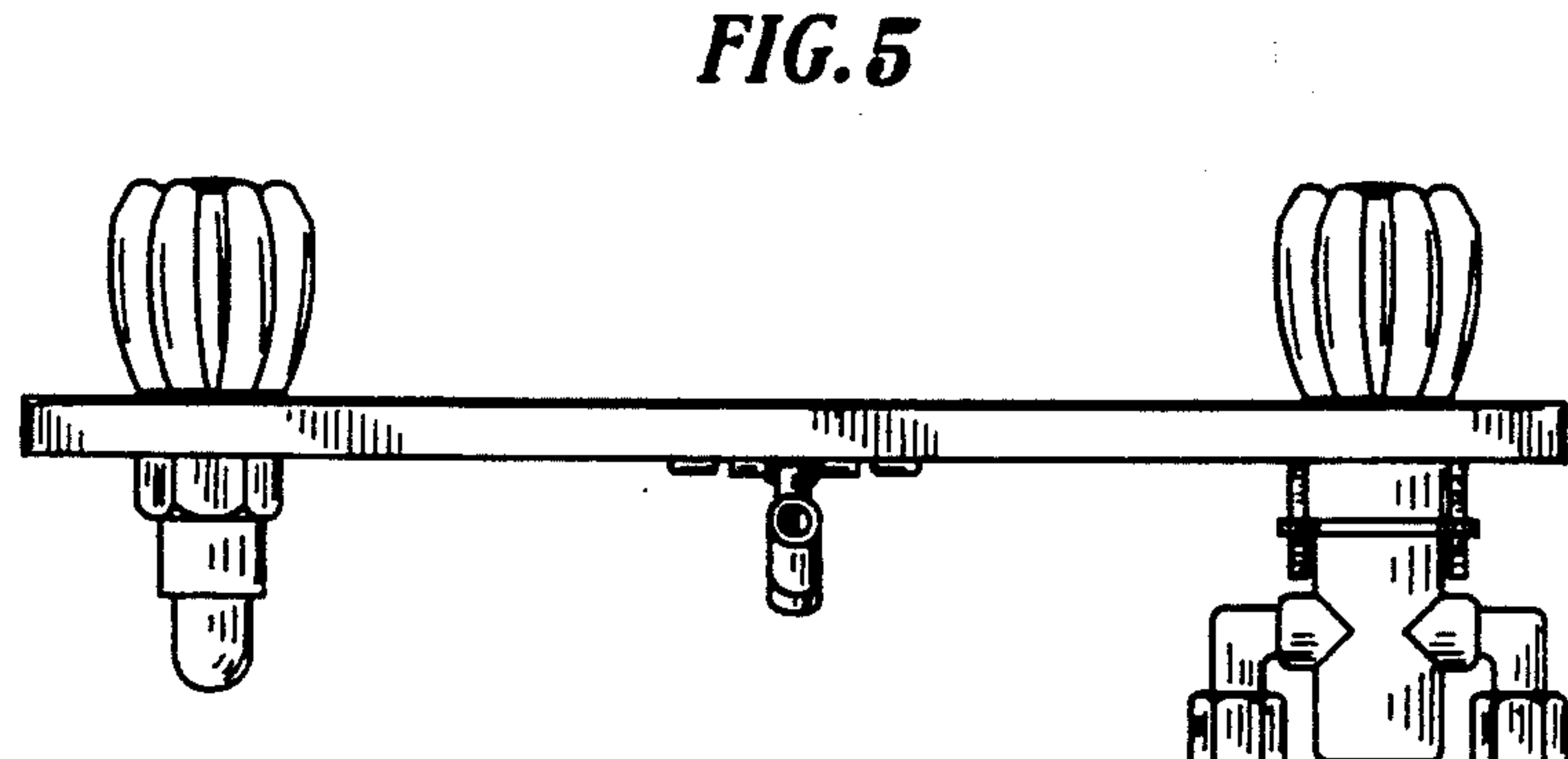
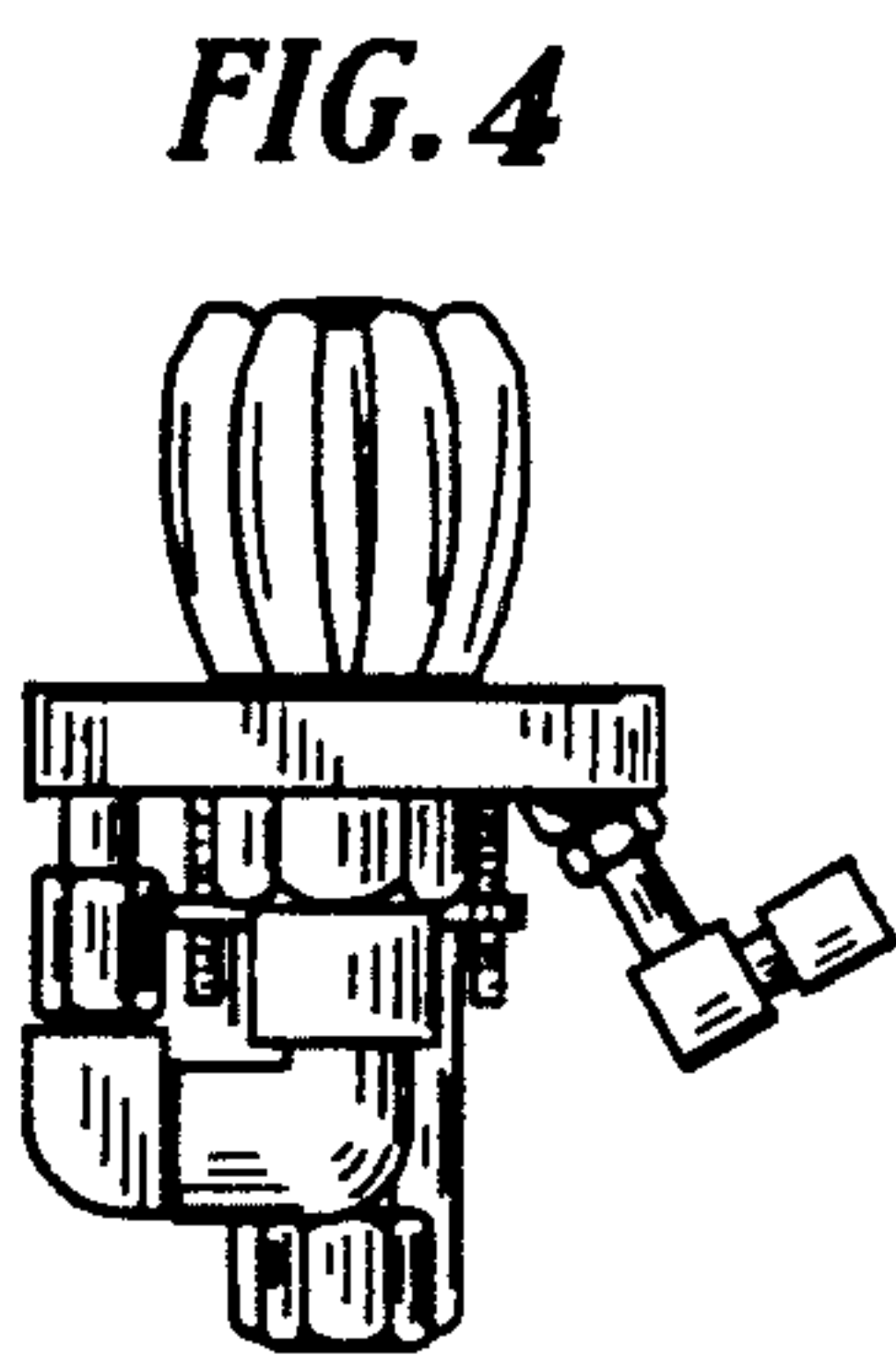
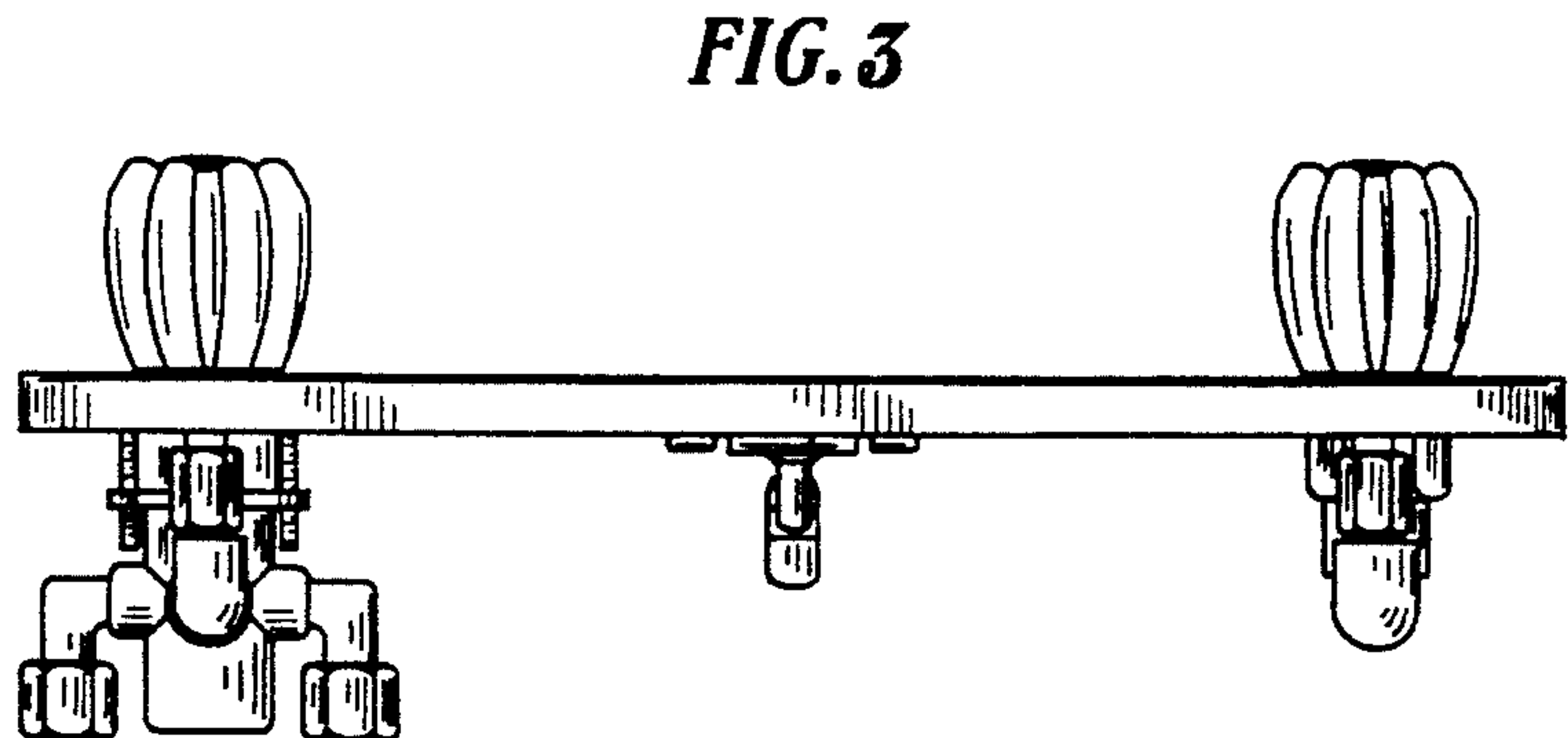
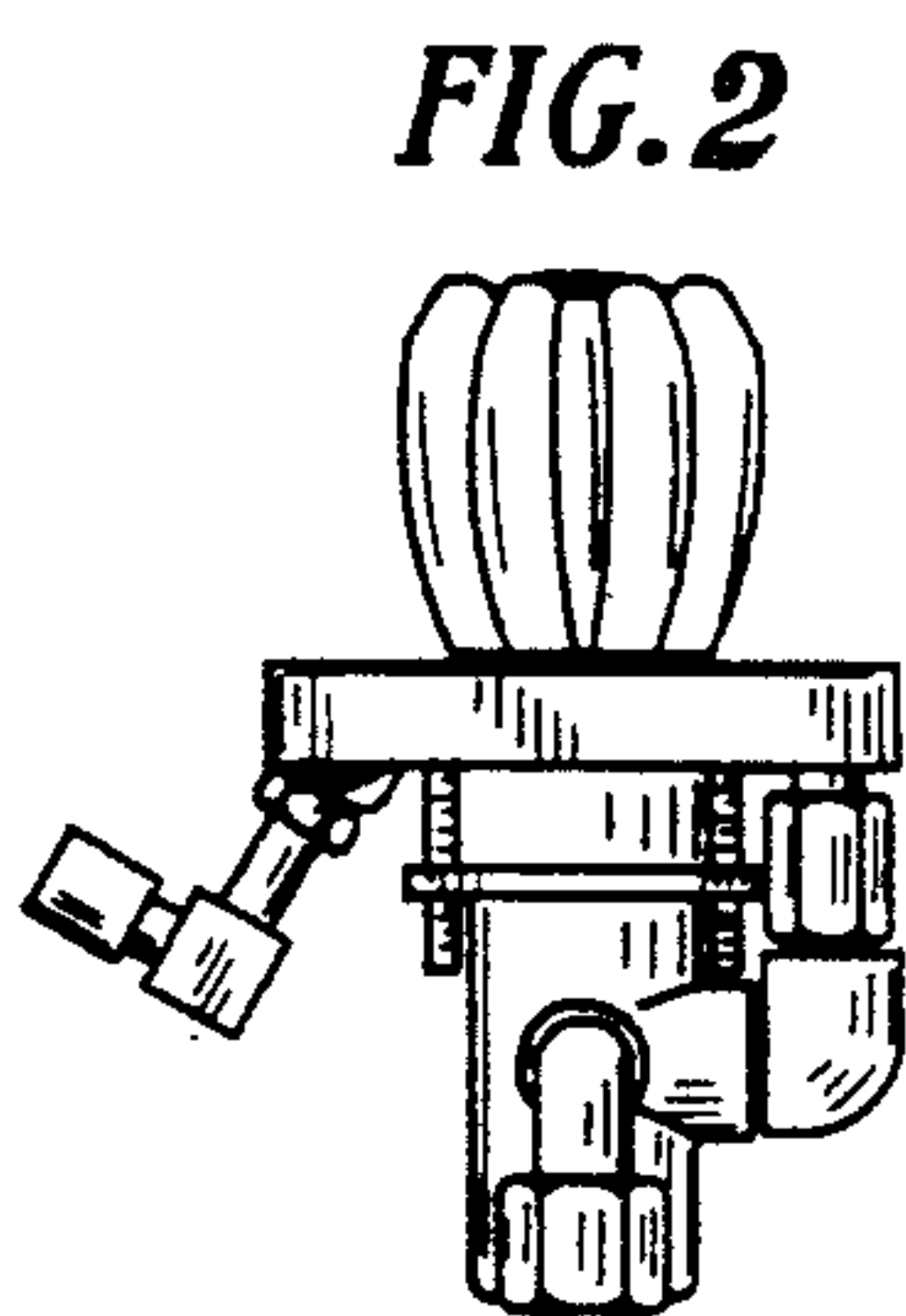
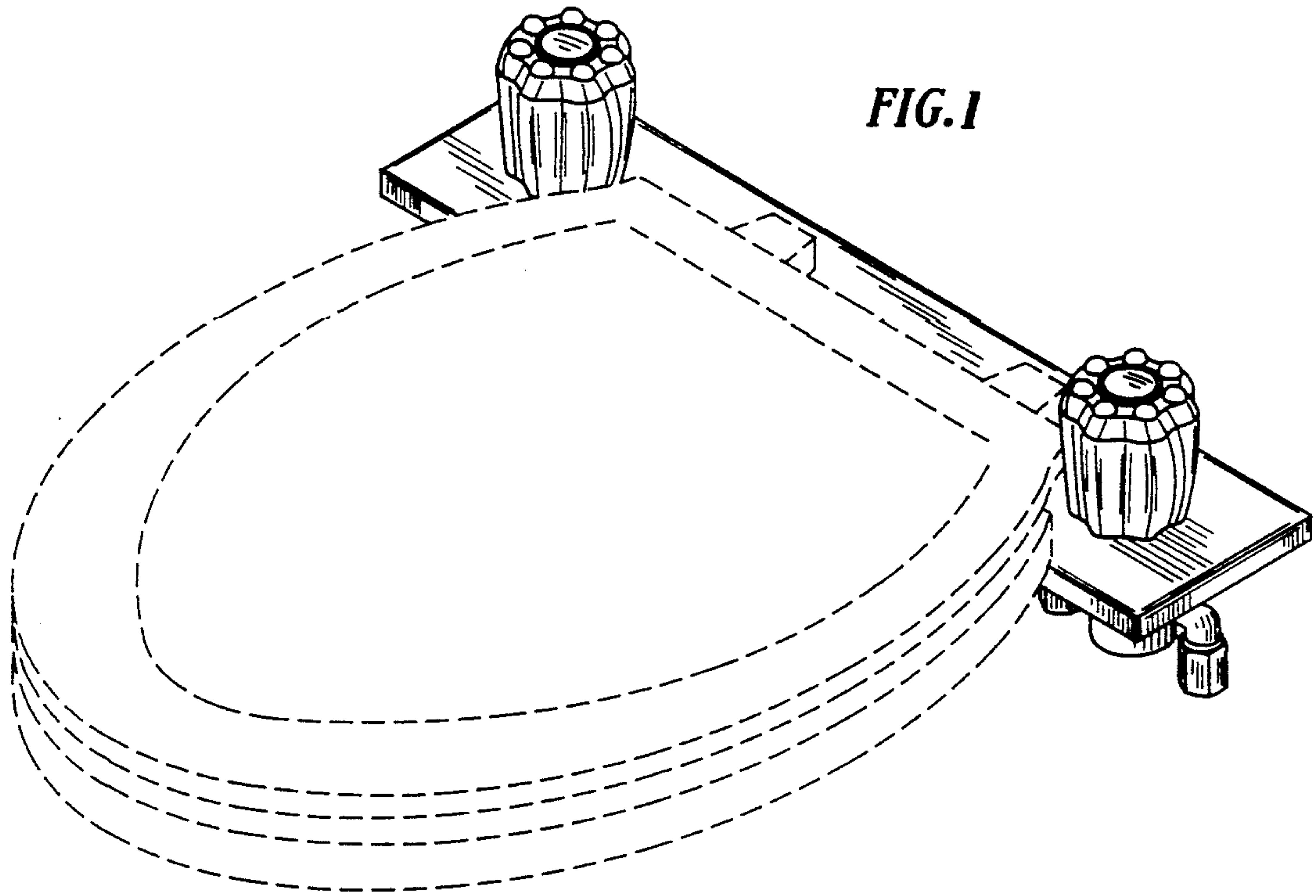


FIG. 6

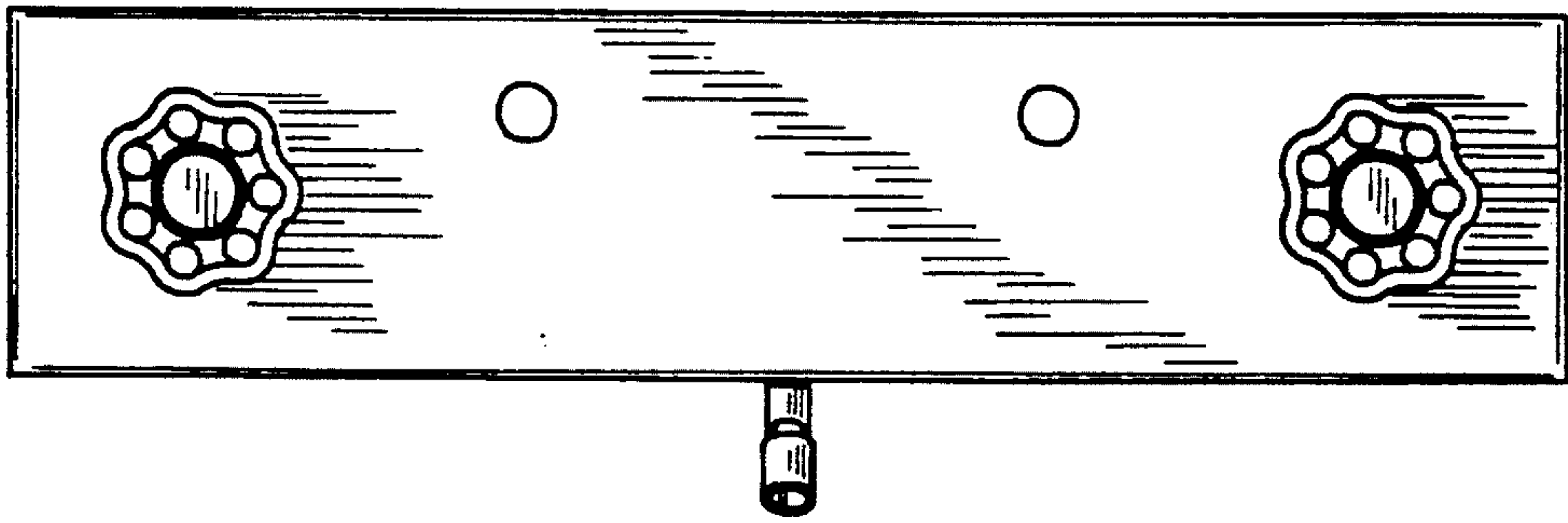


FIG. 7

