



US00D331449S

United States Patent [19]

[11] Patent Number: **Des. 331,449**

Adishian et al.

[45] Date of Patent: **** Dec. 1, 1992**

- [54] **BELLOWS VALVE**
- [75] Inventors: **David Adishian, Palos Verdes Estates; Ira J. Silverman, Northridge, both of Calif.**
- [73] Assignee: **Sequoia Controls Co., Ltd., Carson, Calif.**
- [**] Term: **14 Years**
- [21] Appl. No.: **471,808**
- [22] Filed: **Jan. 29, 1990**
- [52] U.S. Cl. **D23/233**
- [58] Field of Search **D23/233-237, D23/244-249; 251/63.5, 63.6, 335.3**

- 4,634,099 1/1987 Danko et al. 251/335.3
- 4,687,017 8/1987 Danko et al. 251/335.3
- 4,712,576 12/1987 Ariizumi et al. 251/63.5 X
- 4,804,164 2/1989 Nakazawa et al. 251/335.3

Primary Examiner—James R. Largen
Attorney, Agent, or Firm—Skjerven, Morrill, MacPherson, Franklin & Friel

[57] CLAIM

The ornamental design for a bellows valve, as shown and described.

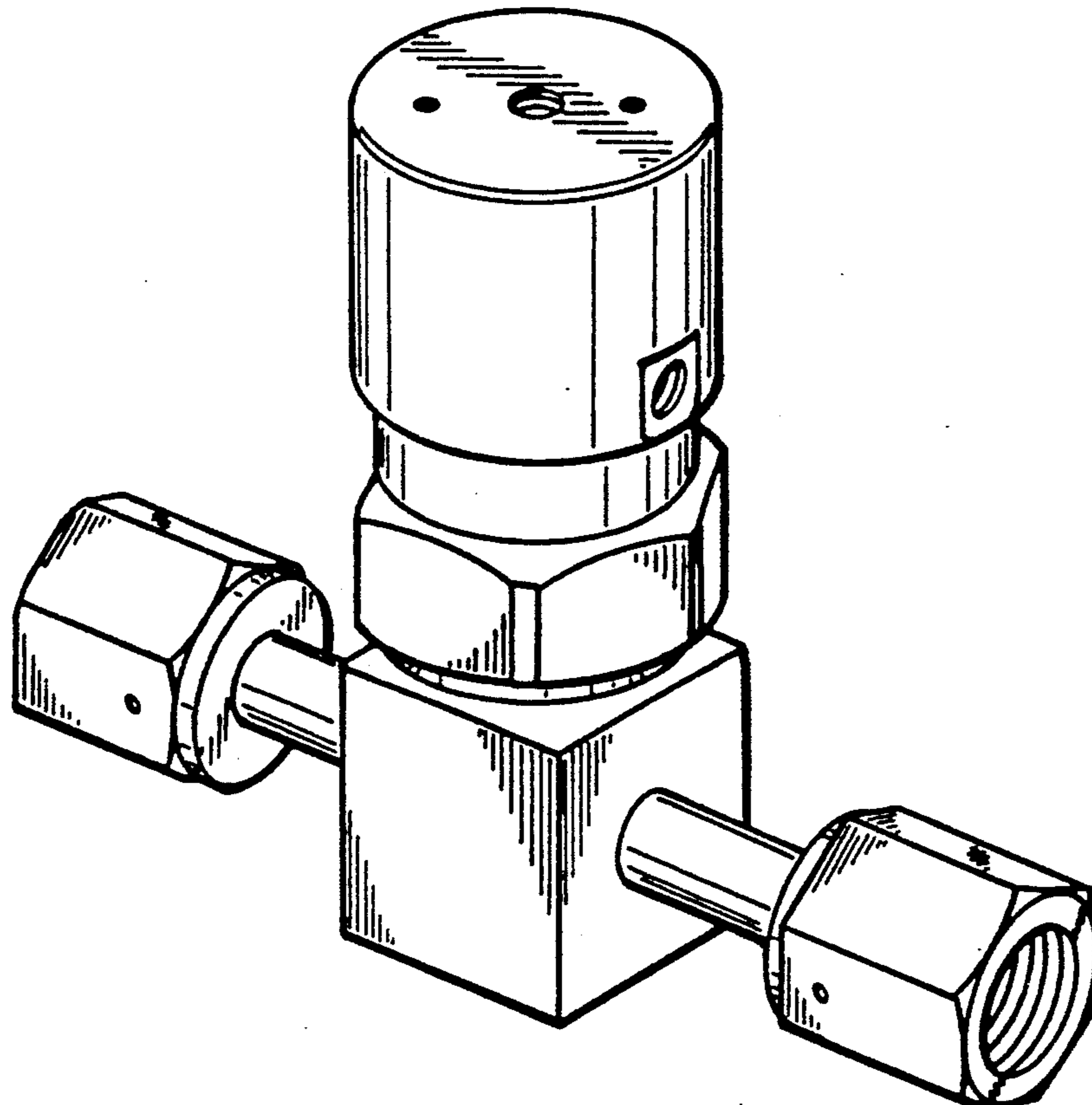
DESCRIPTION

FIG. 1 is a top perspective view of a bellows valve showing our new design;
 FIG. 2 is a side elevational view thereof, the opposite side being the same as the side shown;
 FIG. 3 is an end elevational view thereof, the opposite end being the same as the end shown;
 FIG. 4 is a top plan view thereof; and,
 FIG. 5 is a bottom plan view thereof.

[56] References Cited

U.S. PATENT DOCUMENTS

- D. 287,043 12/1986 Hughes D23/235 X
- D. 287,044 12/1986 Hughes D23/235
- 4,526,341 7/1985 Thomas 251/63.5



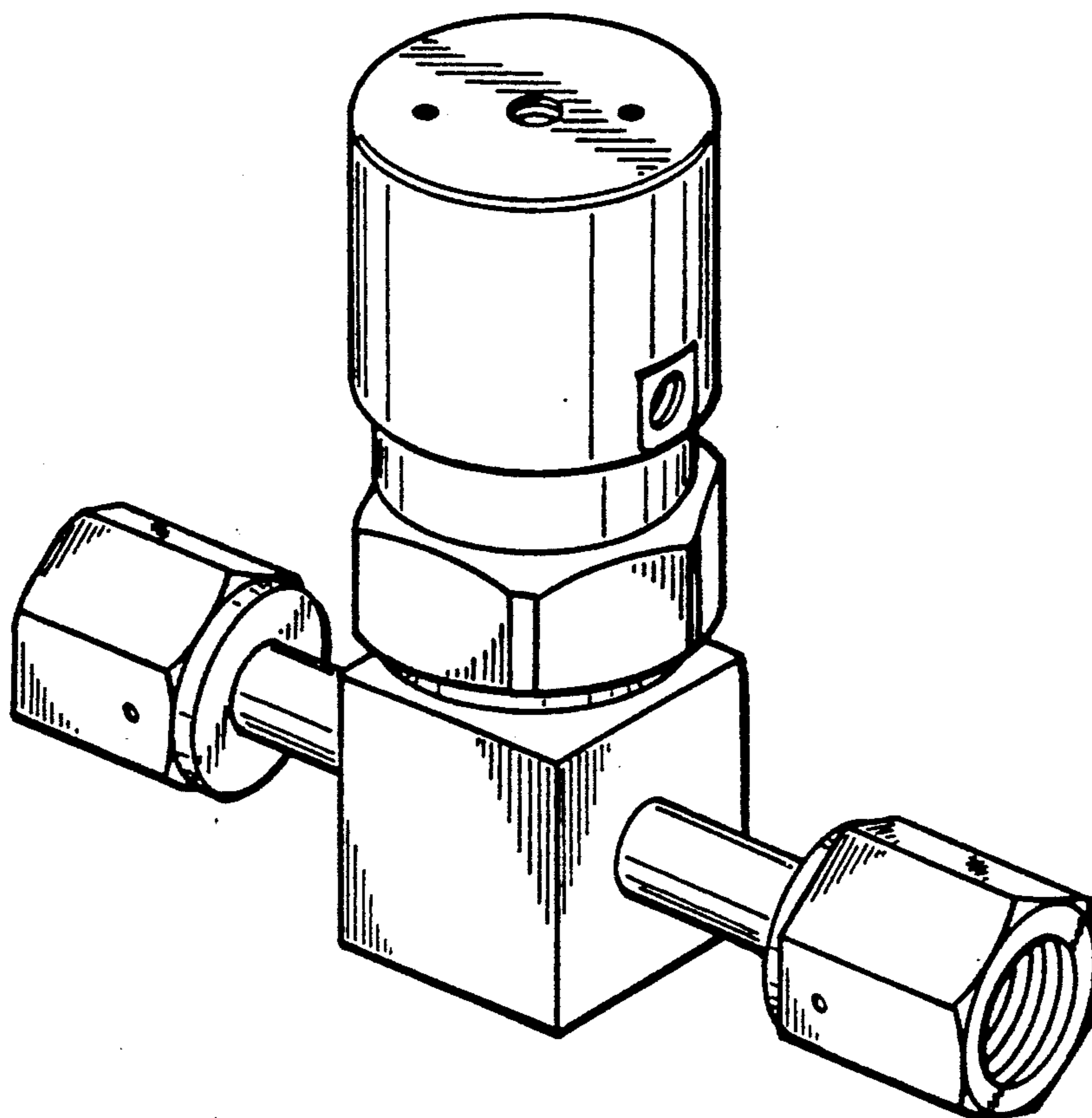


FIG. 1

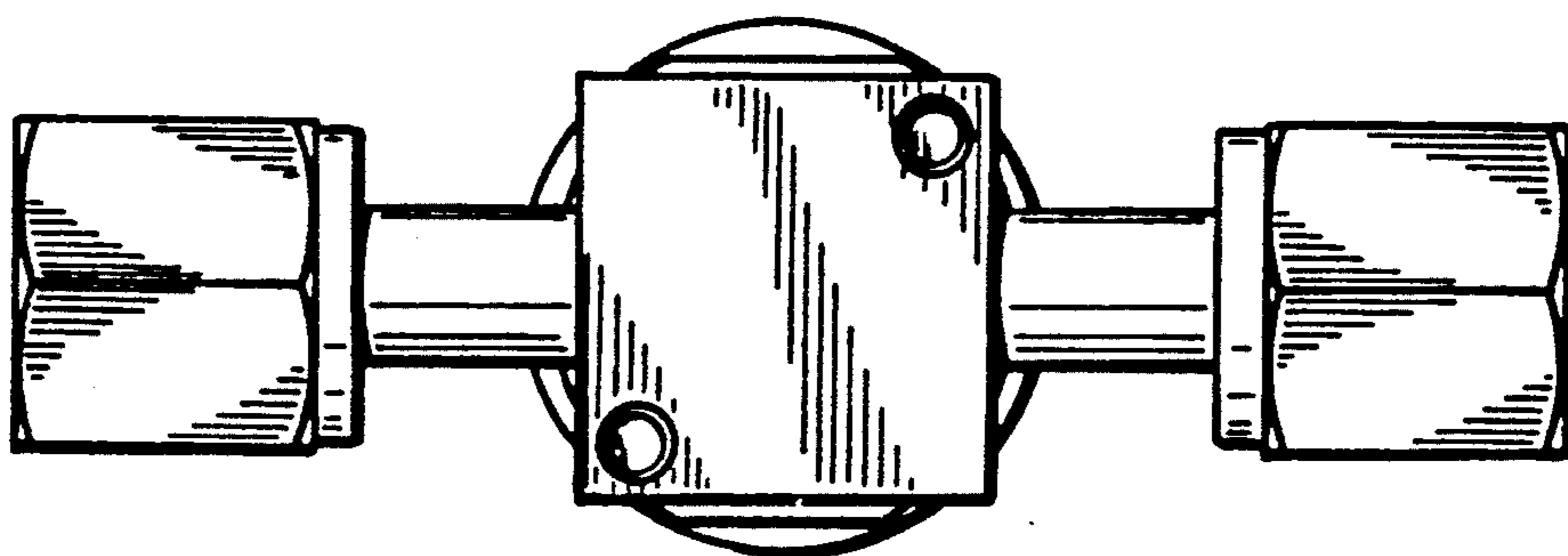


FIG. 5

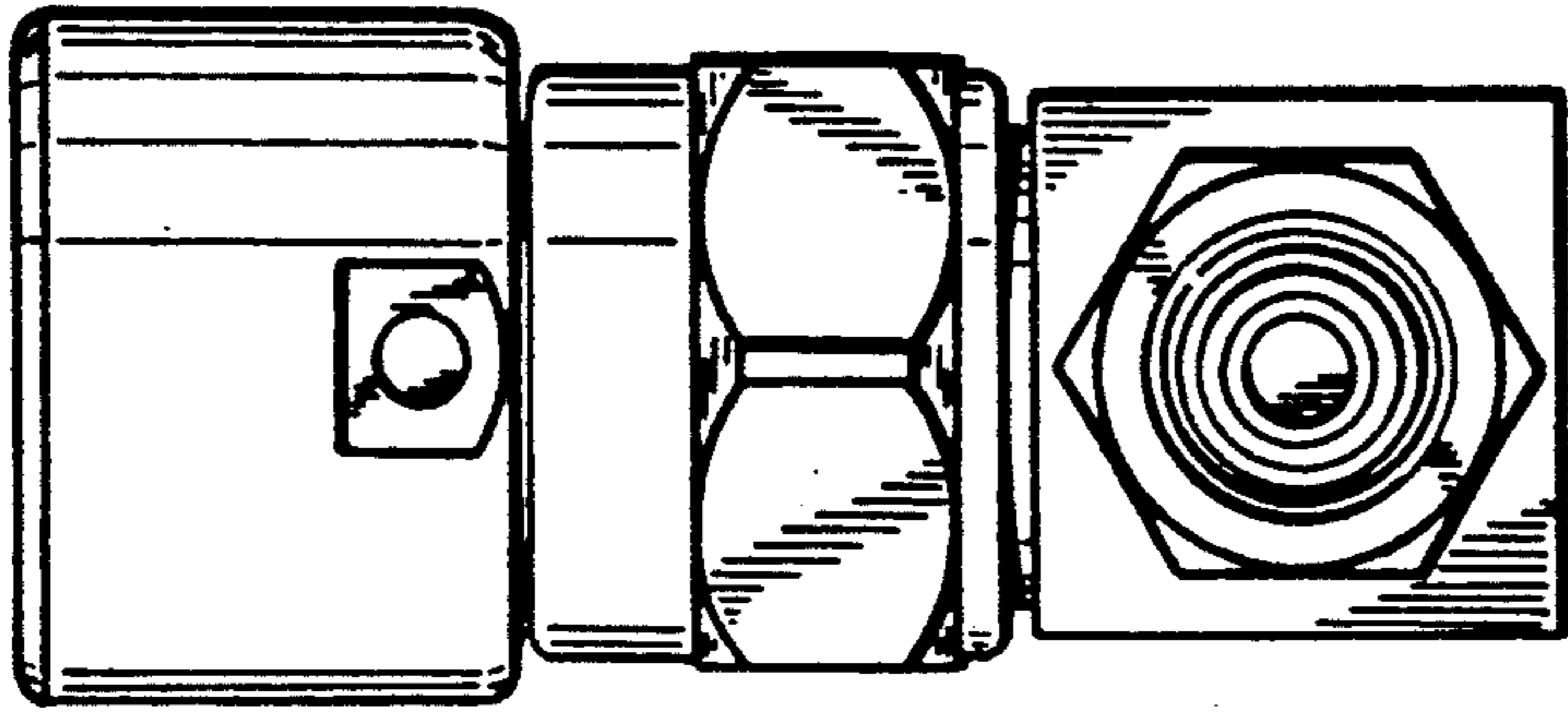


FIG.-3

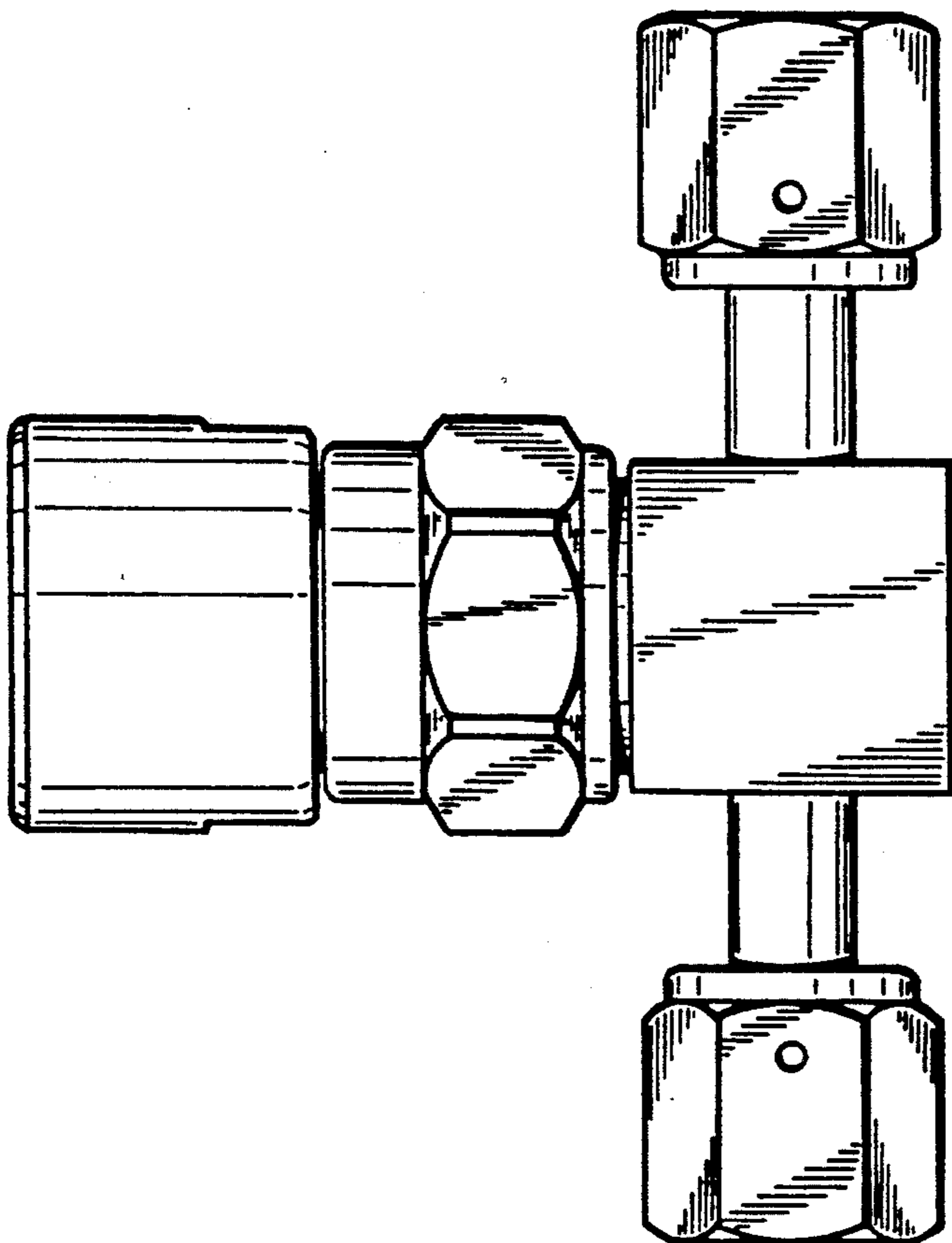


FIG.-2

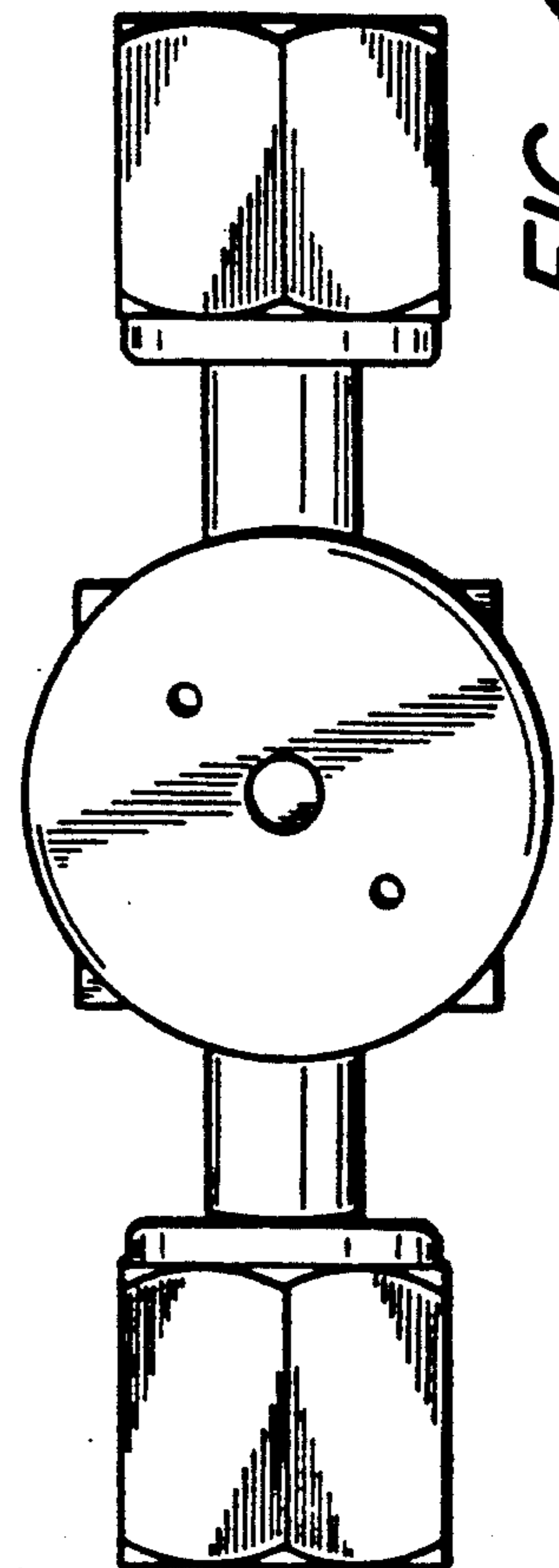


FIG.-4