



US00D331447S

United States Patent [19]

[11] Patent Number: **Des. 331,447**

Boehme et al.

[45] Date of Patent: **** Dec. 1, 1992**

[54] **ULTRAVIOLET WATER PURIFIER**

[75] Inventors: **Hilary Boehme, Fort Salonga; Mark Wyckoff, Kings Park, both of N.Y.**

[73] Assignee: **Atlantic Ultraviolet Corporation, Bay Shore, N.Y.**

[**] Term: **14 Years**

[21] Appl. No.: **670,166**

[22] Filed: **Apr. 5, 1991**

[52] U.S. Cl. **D23/209**

[58] Field of Search **D23/207-210; 210/97, 198.1, 205-206, 231, 244-246, 257.1-257.2, 258, 260-261, 275, 282, 287-290, 295, 321.6, 321.78, 348, 416.3, 443-449; 422/24; 250/435-438, 428-429, 431, 432 R**

[56] **References Cited**

U.S. PATENT DOCUMENTS

- D. 215,000 8/1969 Young D23/207
- D. 273,695 5/1984 Johnson et al. D23/207

- D. 282,561 2/1986 Lu D23/207
- 3,462,597 8/1969 Young 422/24 X
- 4,098,578 7/1978 Stanton 250/438 X
- 4,767,932 8/1988 Ellner 250/436 X
- 4,922,114 5/1990 Boehme 250/436

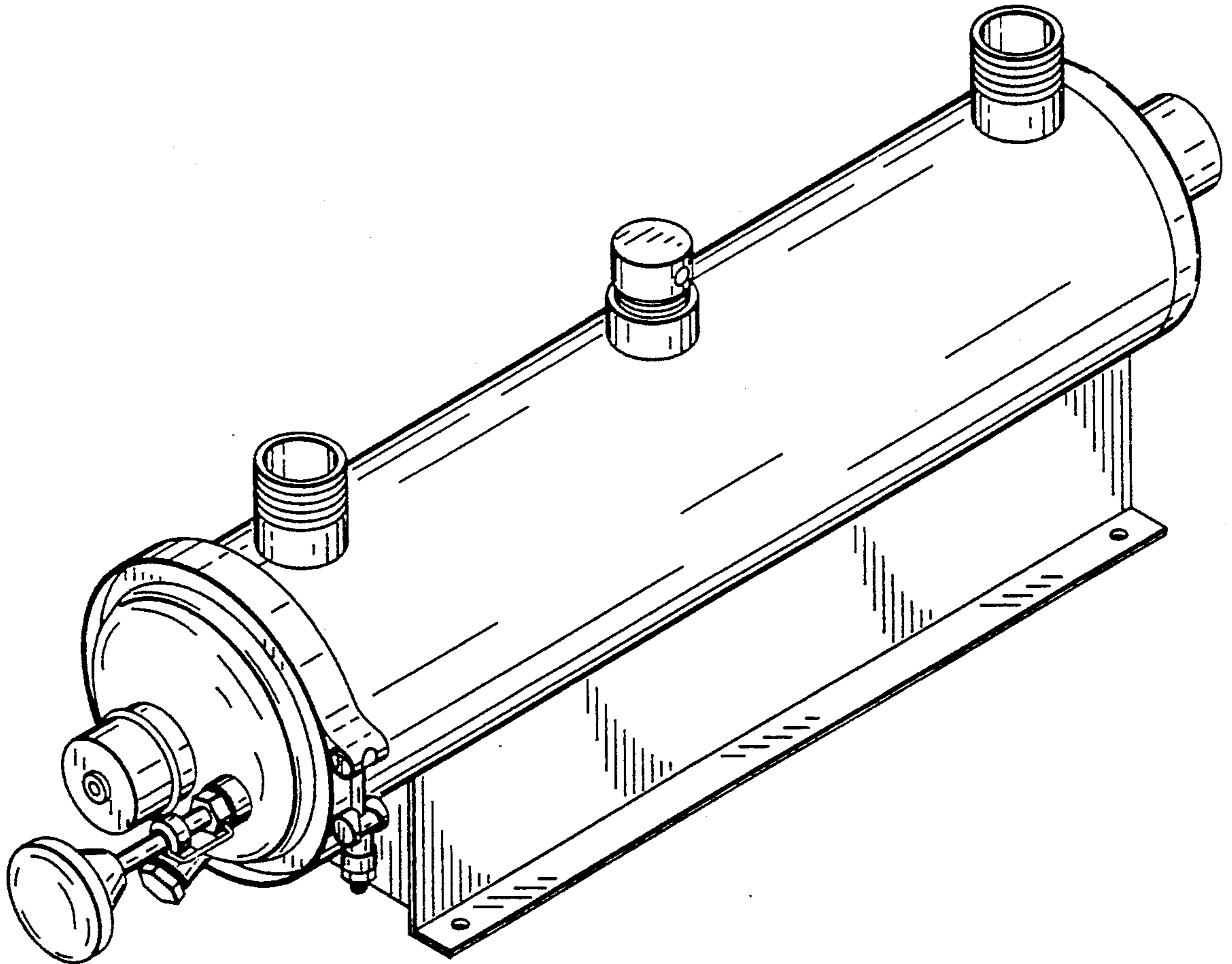
Primary Examiner—Wallace R. Burke
Assistant Examiner—M. H. Tung
Attorney, Agent, or Firm—Edward H. Loveman

[57] **CLAIM**

The ornamental design of an ultraviolet water purifier, as shown and described.

DESCRIPTION

FIG. 1 is a perspective view of an ultraviolet water purifier showing our new design, on an enlarged scale; FIG. 2 is a left side elevational view thereof; FIG. 3 is a right side elevational view thereof; FIG. 4 is a top plan view thereof; FIG. 5 is a front elevational view thereof; FIG. 6 is a rear elevational view thereof; and, FIG. 7 is a bottom plan view thereof.



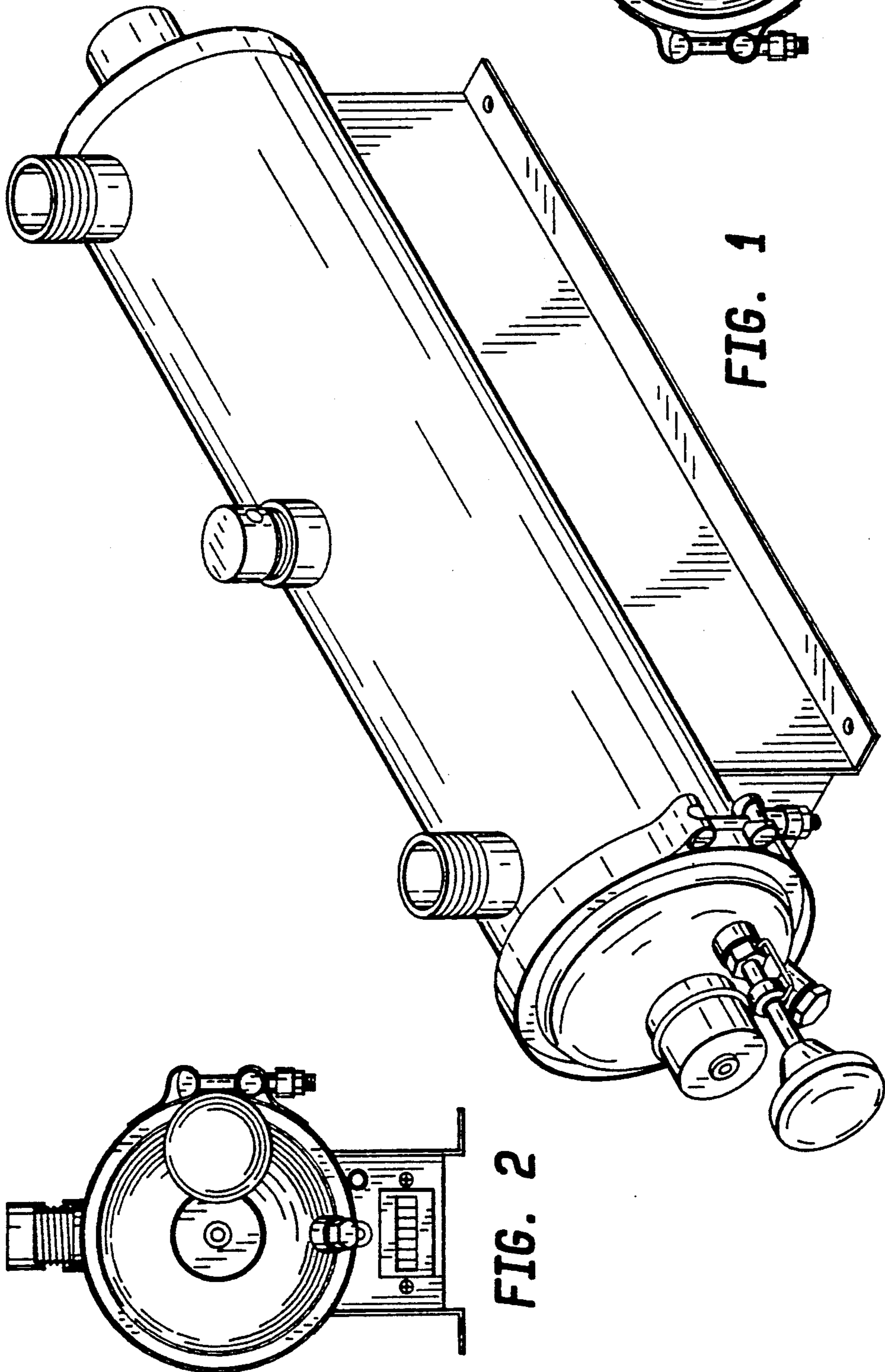


FIG. 1

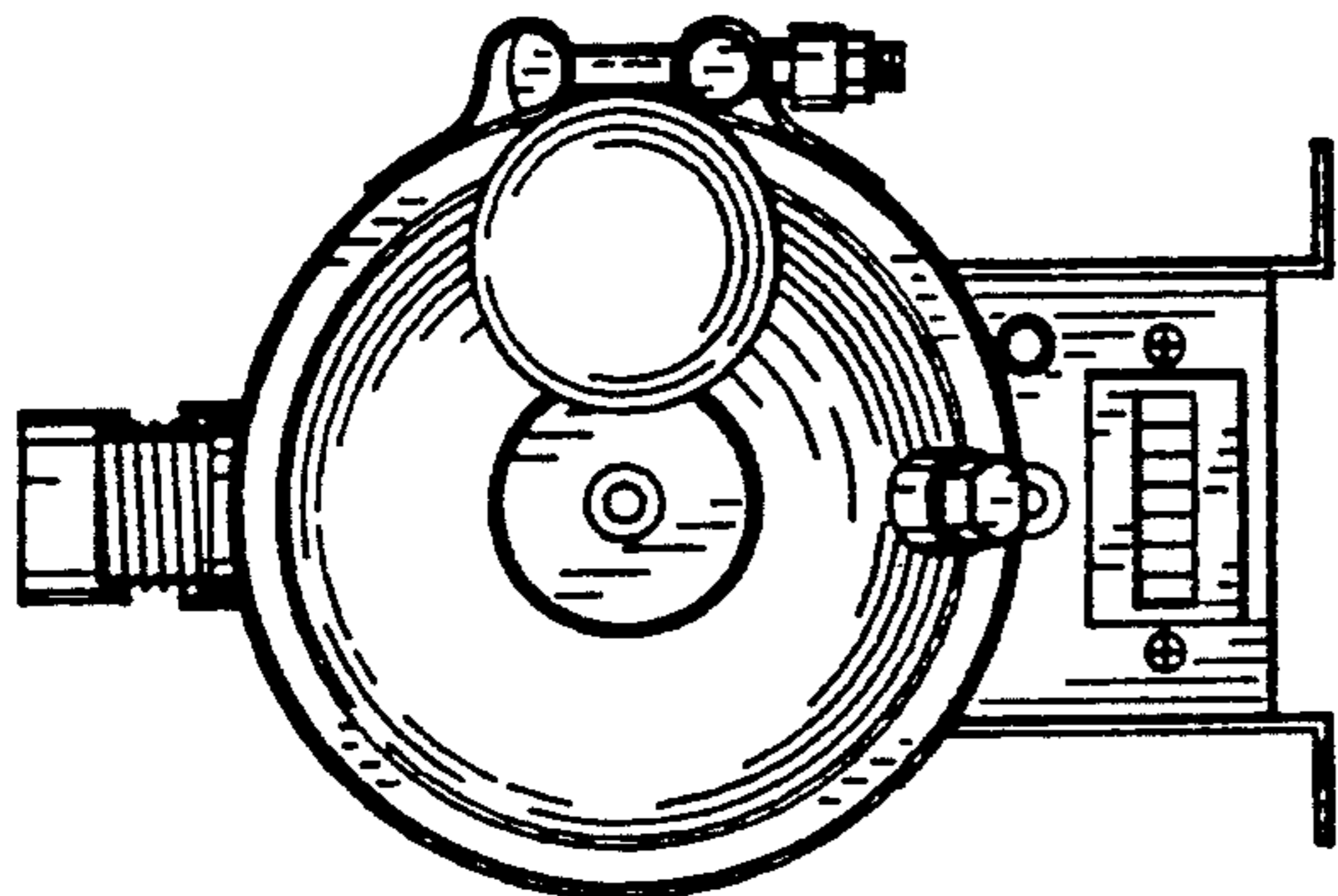


FIG. 2

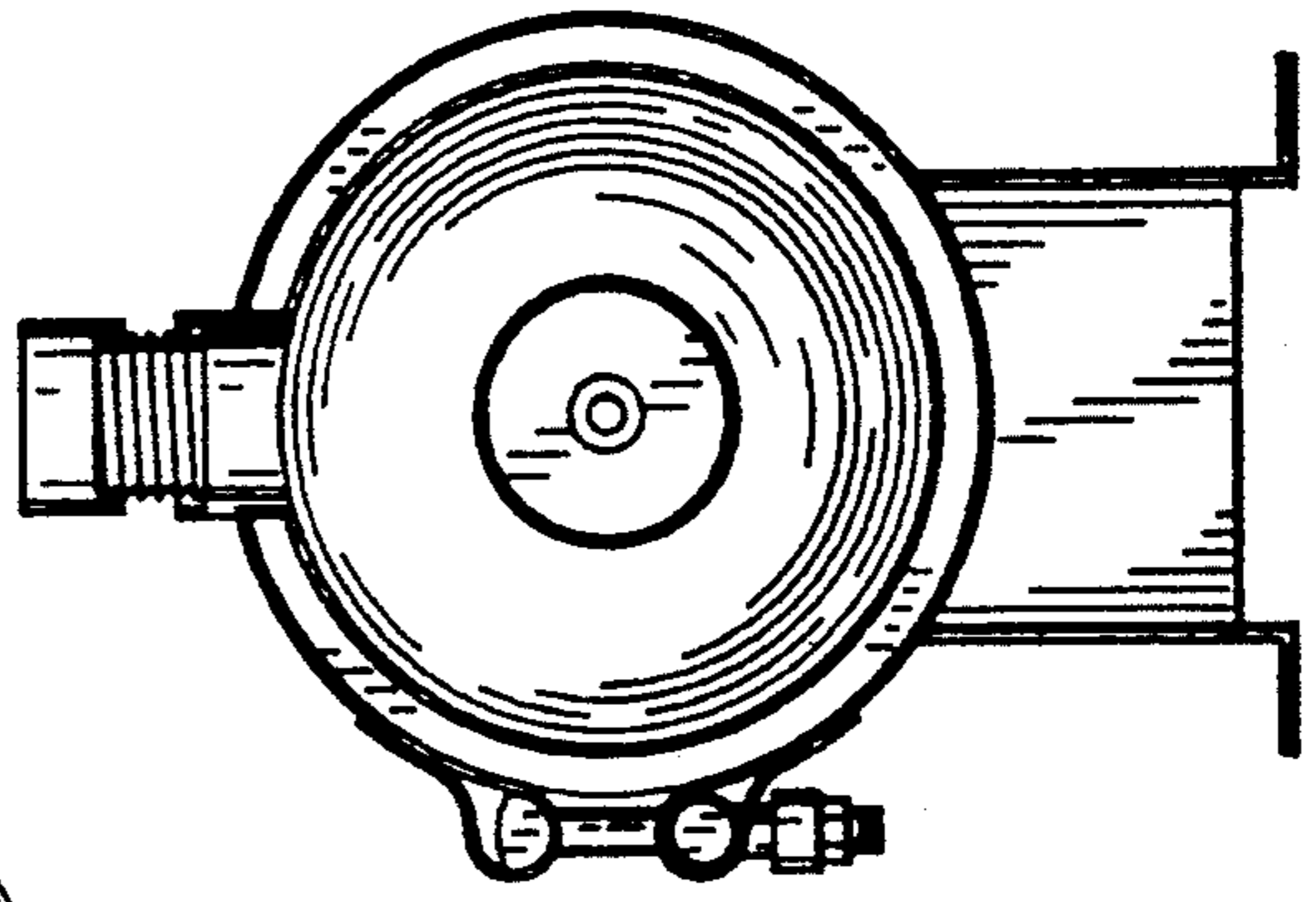


FIG. 3

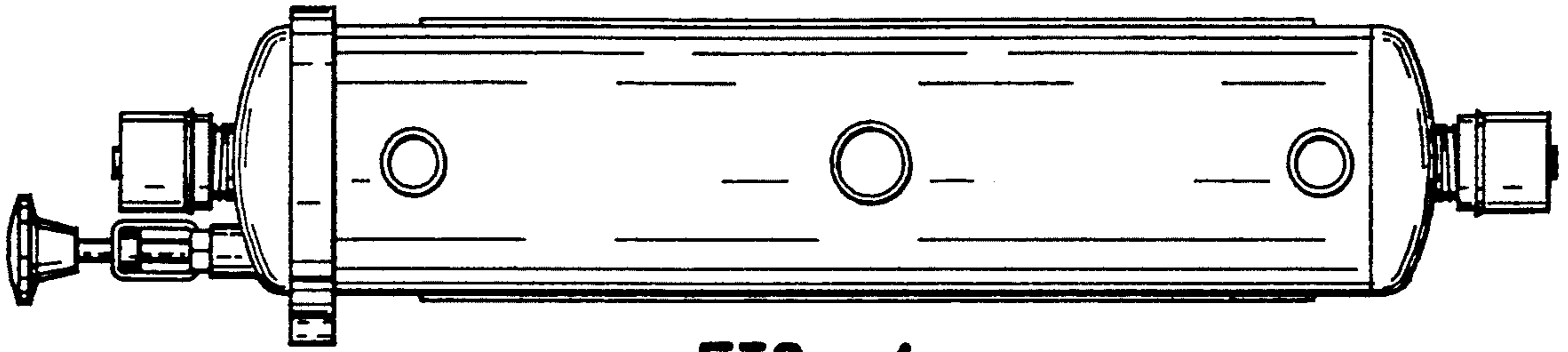


FIG. 4

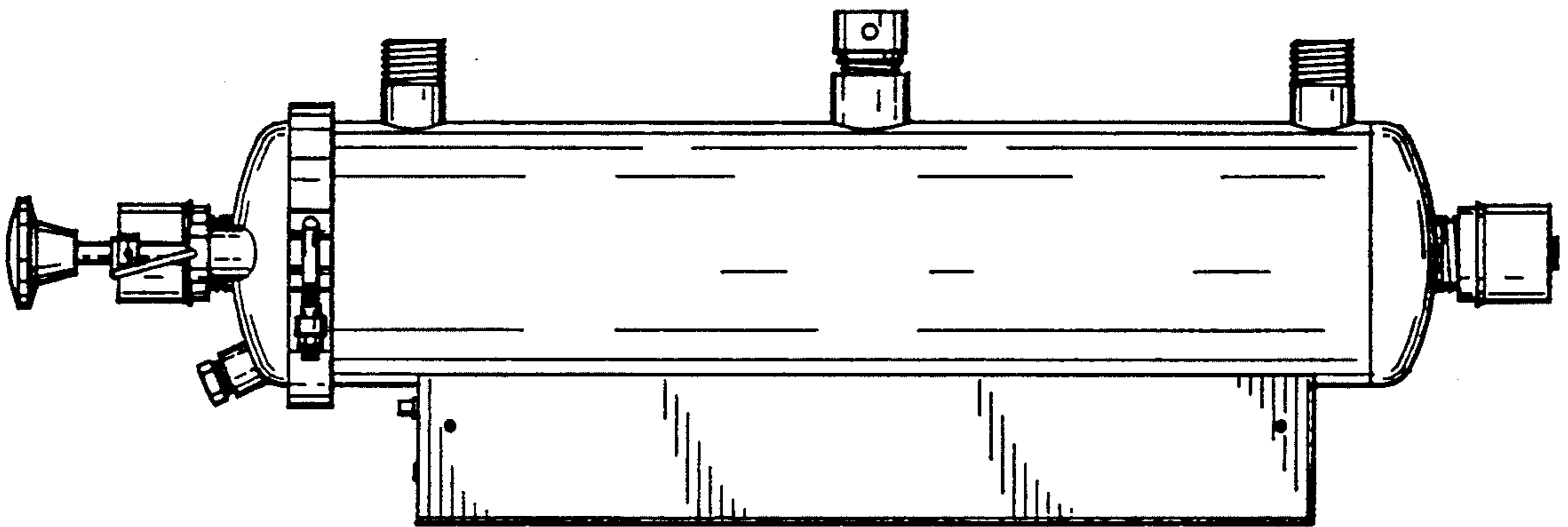


FIG. 5

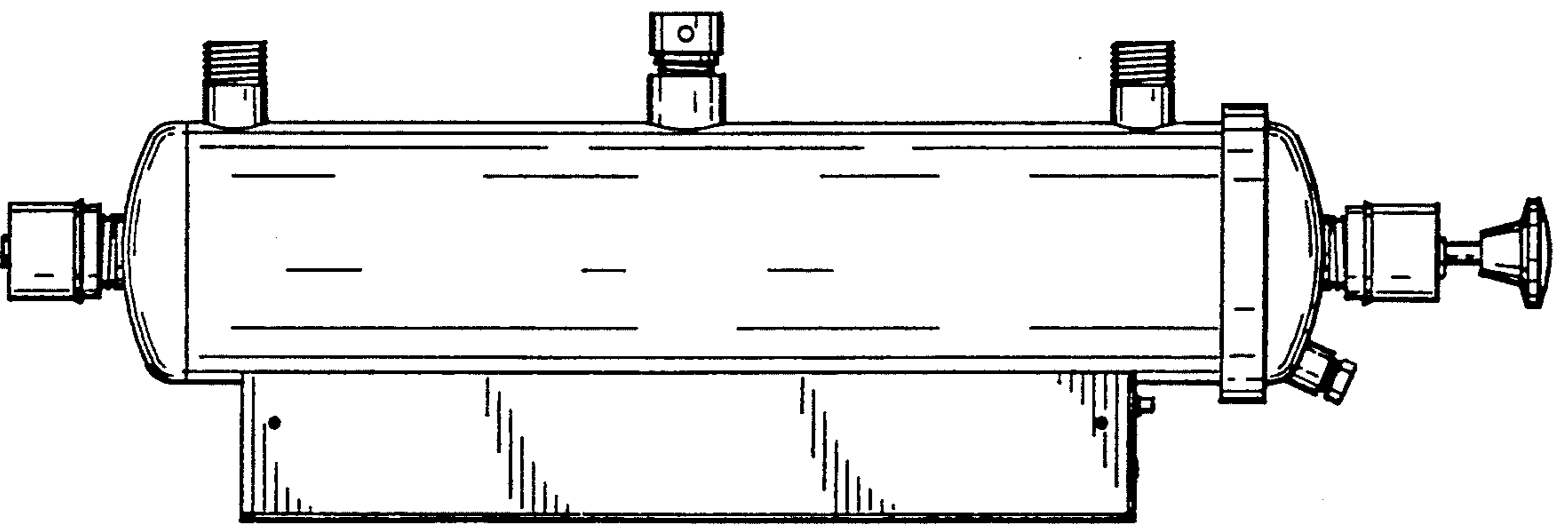


FIG. 6

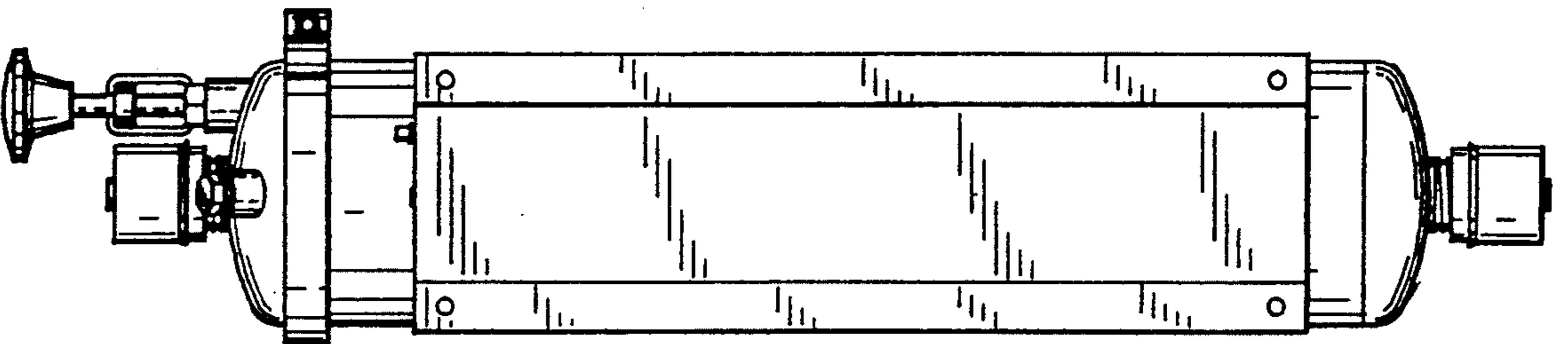


FIG. 7