



US00D331446S

United States Patent [19]

[11] Patent Number: **Des. 331,446**

Gidman

[45] Date of Patent: **** Dec. 1, 1992**

[54] **WATER FILTER**

[75] Inventor: **Claude Gidman, Palgrave, Canada**

[73] Assignee: **Brita (Canada) Inc., Mississauga, Canada**

[**] Term: **14 Years**

[21] Appl. No.: **676,113**

[22] Filed: **Mar. 27, 1991**

[52] U.S. Cl. **D23/209**

[58] Field of Search **D23/207-210; 210/97, 198.1, 205-206, 231, 244-246, 257.1-257.2, 258, 260-261, 275, 282, 287-290, 295, 321.6, 321.78, 348, 416.3, 443-449**

[56] **References Cited**

U.S. PATENT DOCUMENTS

- D. 255,531 6/1980 Daenen et al. D7/312 X
- D. 287,325 12/1986 Schmidt D7/318 X

- D. 295,888 5/1988 Schulein et al. D23/207
- 3,631,793 1/1972 Bednatz 210/348 X
- 4,776,956 10/1988 Gamnaway 210/282
- 4,969,996 11/1990 Hankammer 210/282

Primary Examiner—Susan J. Lucas
Assistant Examiner—M. H. Tung
Attorney, Agent, or Firm—Sim & McBurney

[57] **CLAIM**

The ornamental design for a water filter, as shown and described.

DESCRIPTION

FIG. 1 is a perspective view of a water filter showing my new design;
 FIG. 2 is a side elevational view thereof, the opposite side being a mirror image;
 FIG. 3 is a top plan view thereof;
 FIG. 4 is a front elevational view thereof;
 FIG. 5 is a bottom plan view thereof; and,
 FIG. 6 is a rear elevational view thereof.

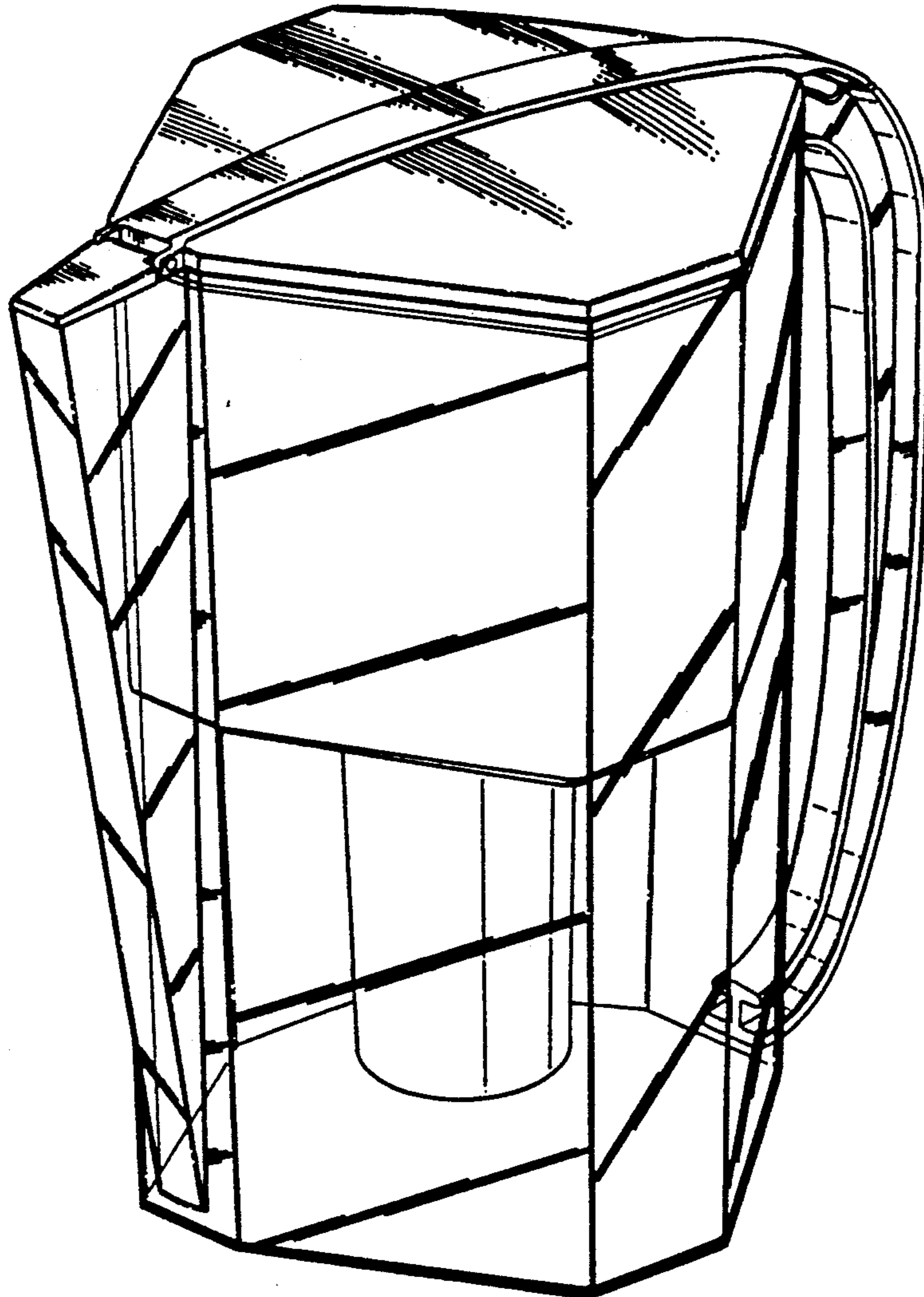


FIG. 1.

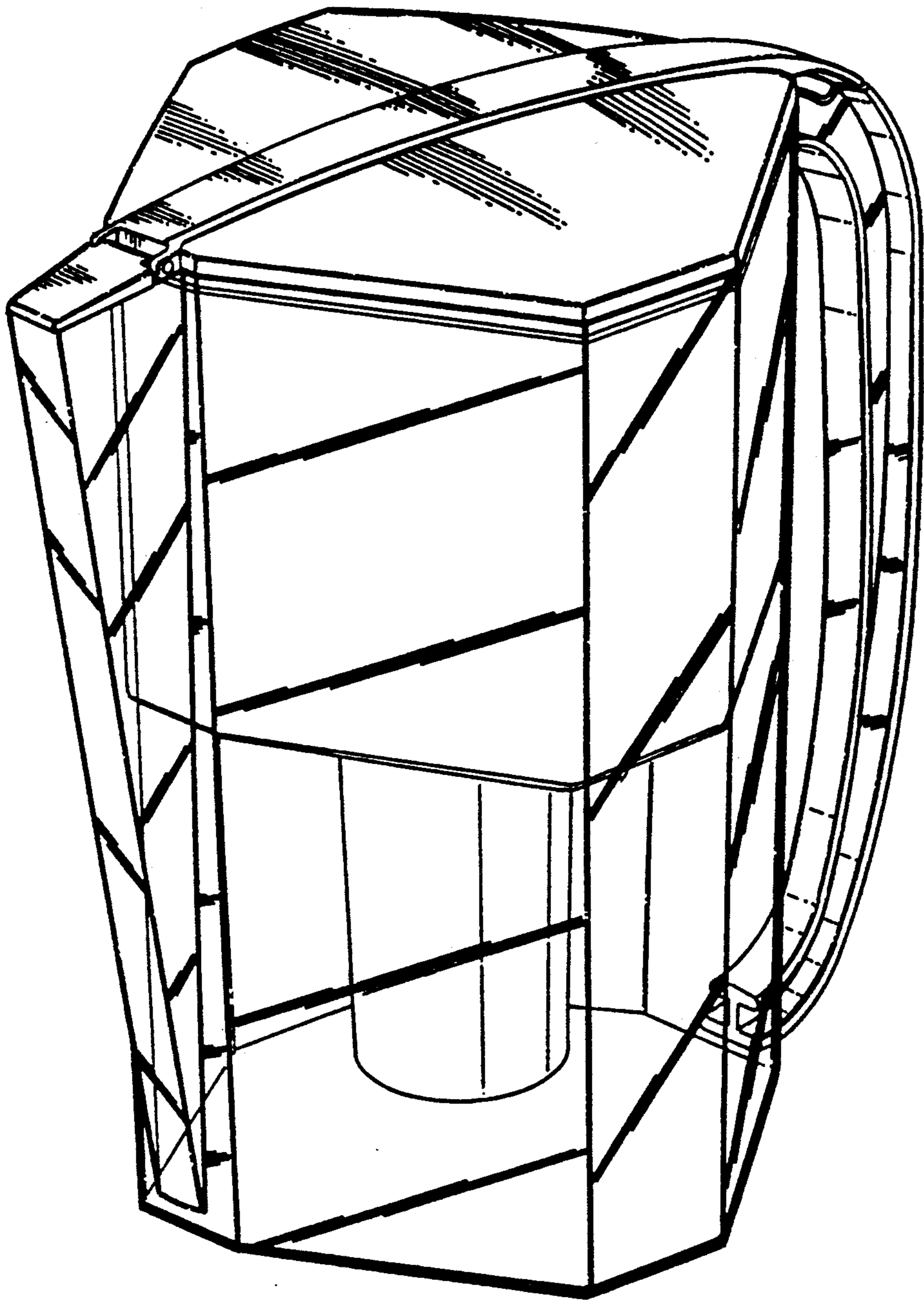


FIG. 2.

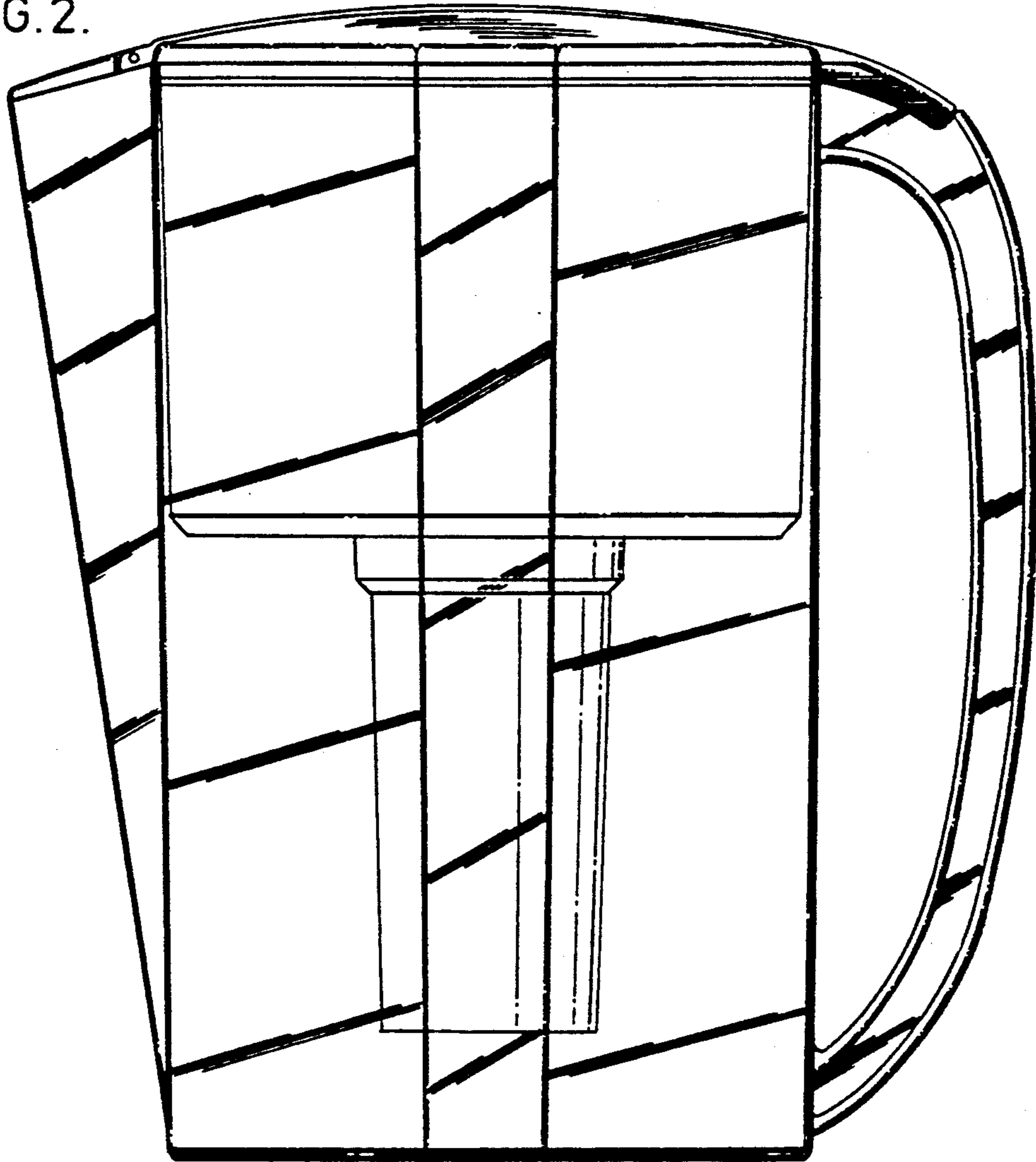


FIG. 3.

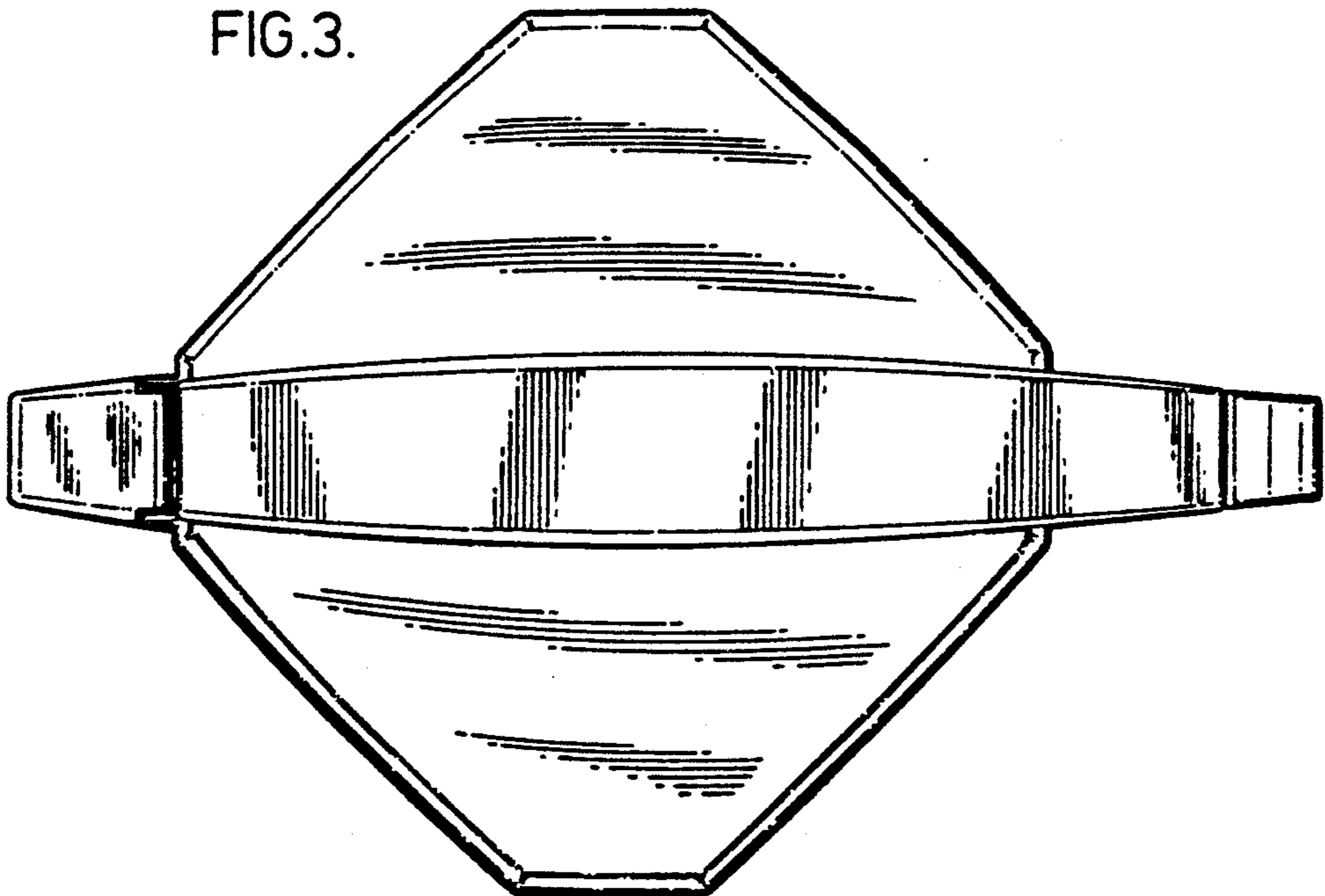


FIG. 4.

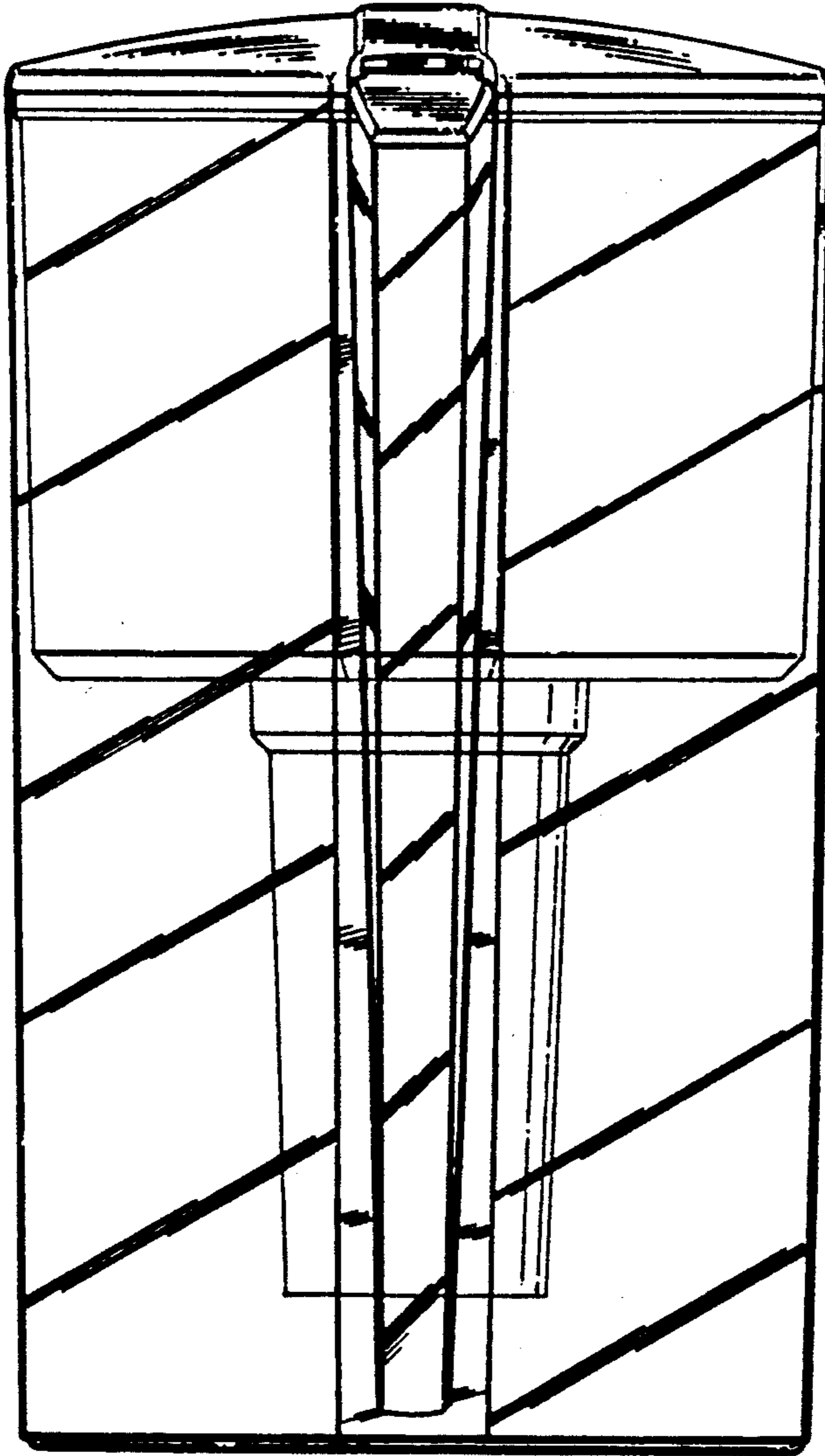


FIG. 5.

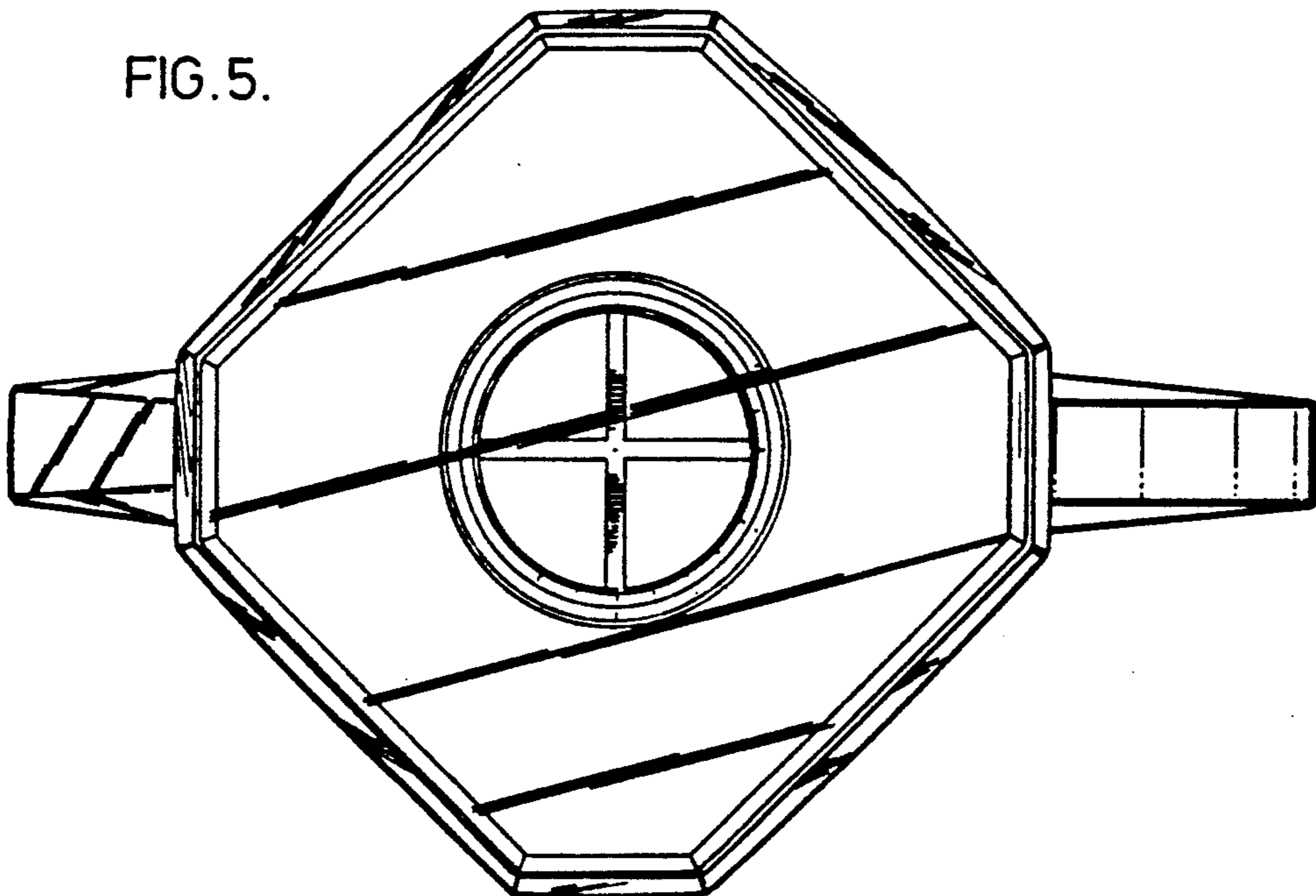


FIG. 6.

