



US00D331443S

United States Patent [19]

[11] Patent Number: **Des. 331,443**

Bechtel

[45] Date of Patent: **** Dec. 1, 1992**

[54] MOUNT FOR ATTACHING A SIGHTING AID TO A PISTOL

D. 270,748	9/1983	Bechtel	D22/110
D. 281,804	12/1985	Bechtel	D22/110
D. 318,708	7/1991	Bechtel	D22/110
4,299,044	11/1981	Johannsen	42/101
4,878,307	11/1989	Singletary	33/245 X

[76] Inventor: **Daniel L. Bechtel**, 4701 Inwood Rd., Fort Worth, Tex. 76109

[*] Notice: The portion of the term of this patent subsequent to Dec. 1, 2006 has been disclaimed.

Primary Examiner—A. Hugo Word
Assistant Examiner—Doris V. Coles
Attorney, Agent, or Firm—Charles W. McHugh

[**] Term: **14 Years**

[57] **CLAIM**

[21] Appl. No.: **524,829**

The ornamental design for a mount for attaching a sighting aid to a pistol, as shown.

[22] Filed: **May 18, 1990**

DESCRIPTION

[52] U.S. Cl. **D22/110**

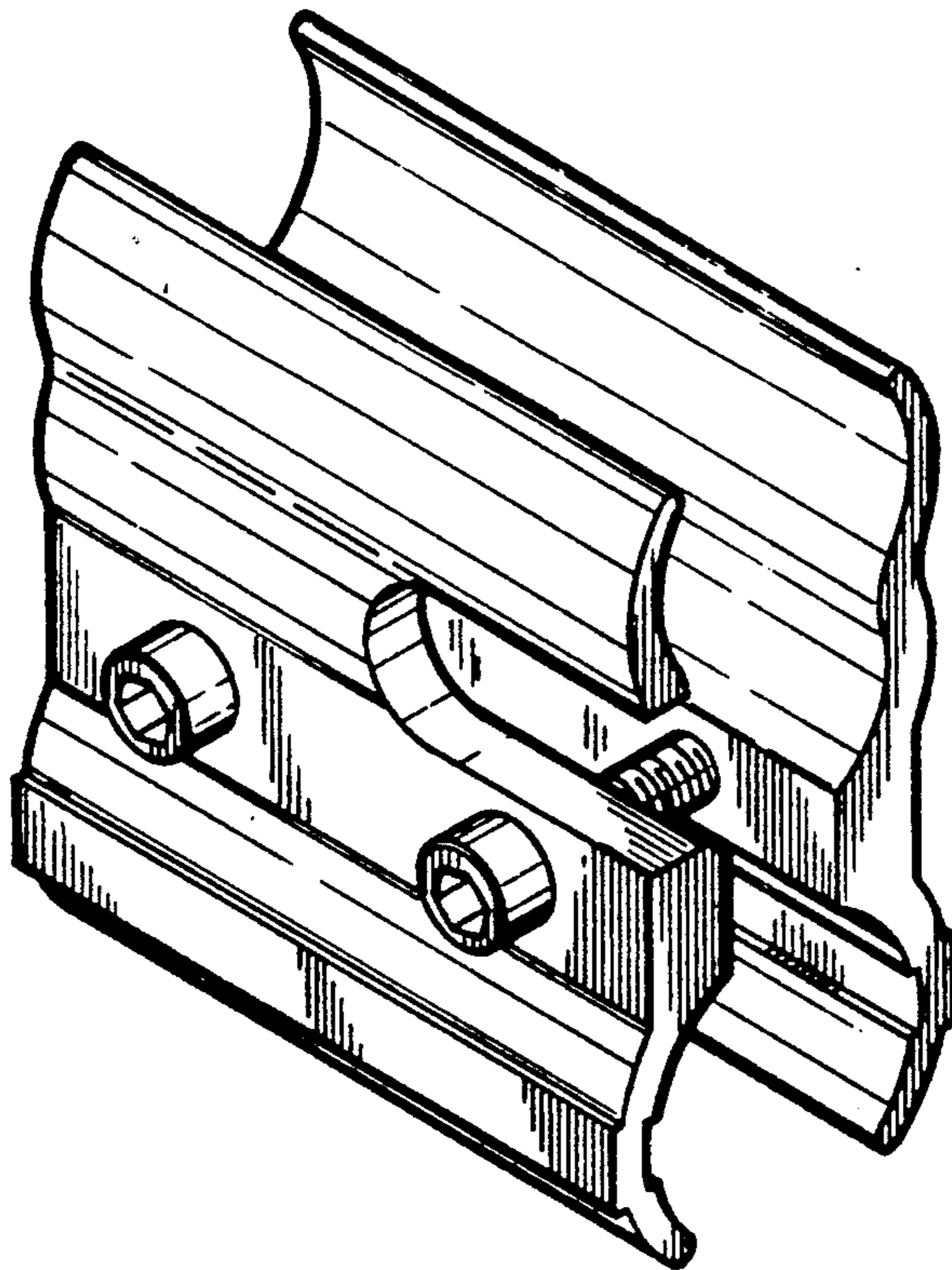
[58] Field of Search **D22/109, 110;**
42/100-103; 33/233, 247, 245, 250

FIG. 1 is a perspective view of a mount for attaching a sighting aid to a pistol, showing my new design;
FIG. 2 is a rear elevational view thereof;
FIG. 3 is a front elevational view thereof;
FIG. 4 is a top plan view thereof;
FIG. 5 is a right side elevational view thereof;
FIG. 6 is a left side elevational view thereof; and,
FIG. 7 is a bottom plan view thereof.

[56] **References Cited**

U.S. PATENT DOCUMENTS

D. 248,309	6/1978	Weast	D22/110
D. 263,732	4/1982	Bechtel	D22/110



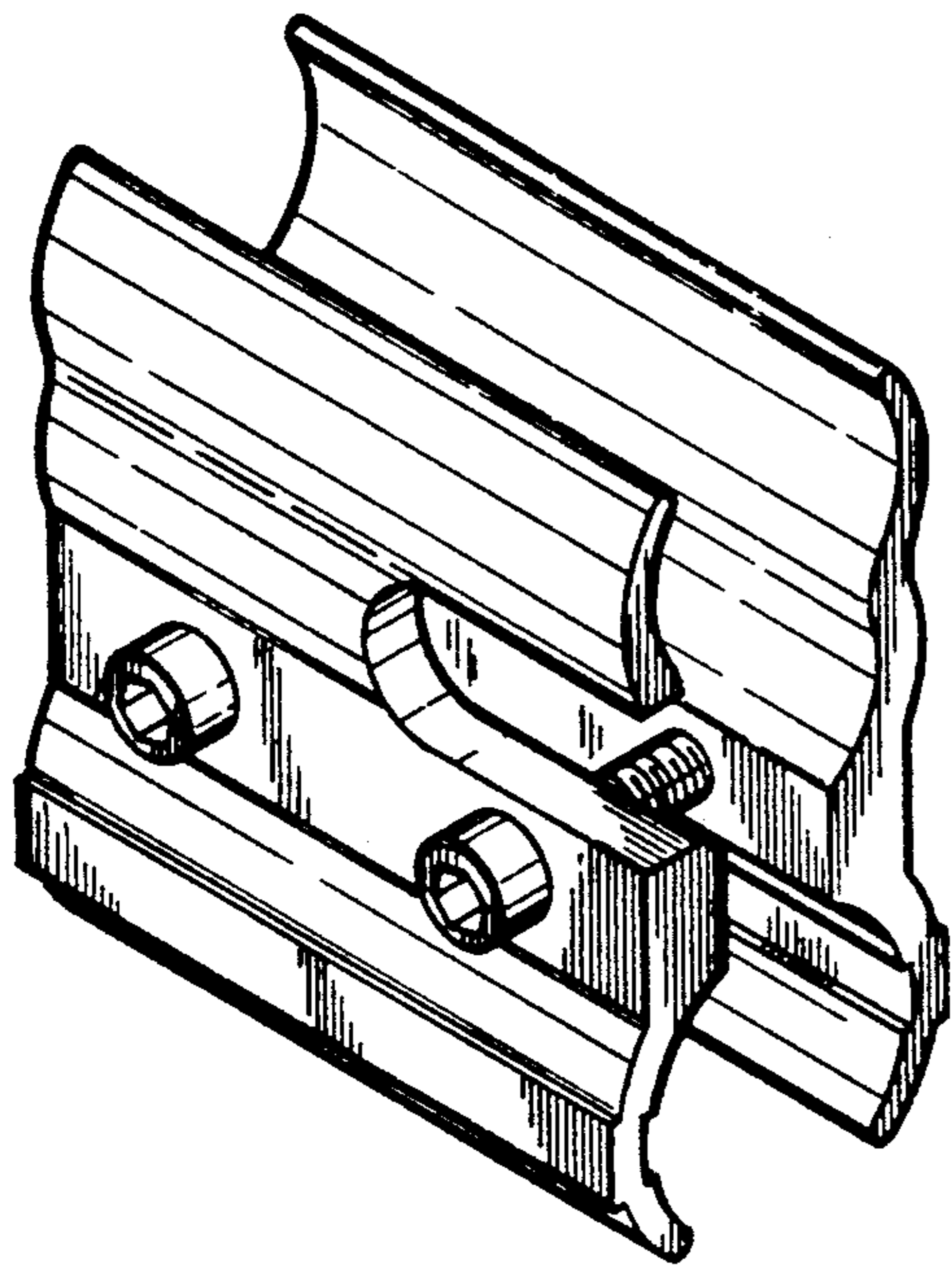


FIG. 1

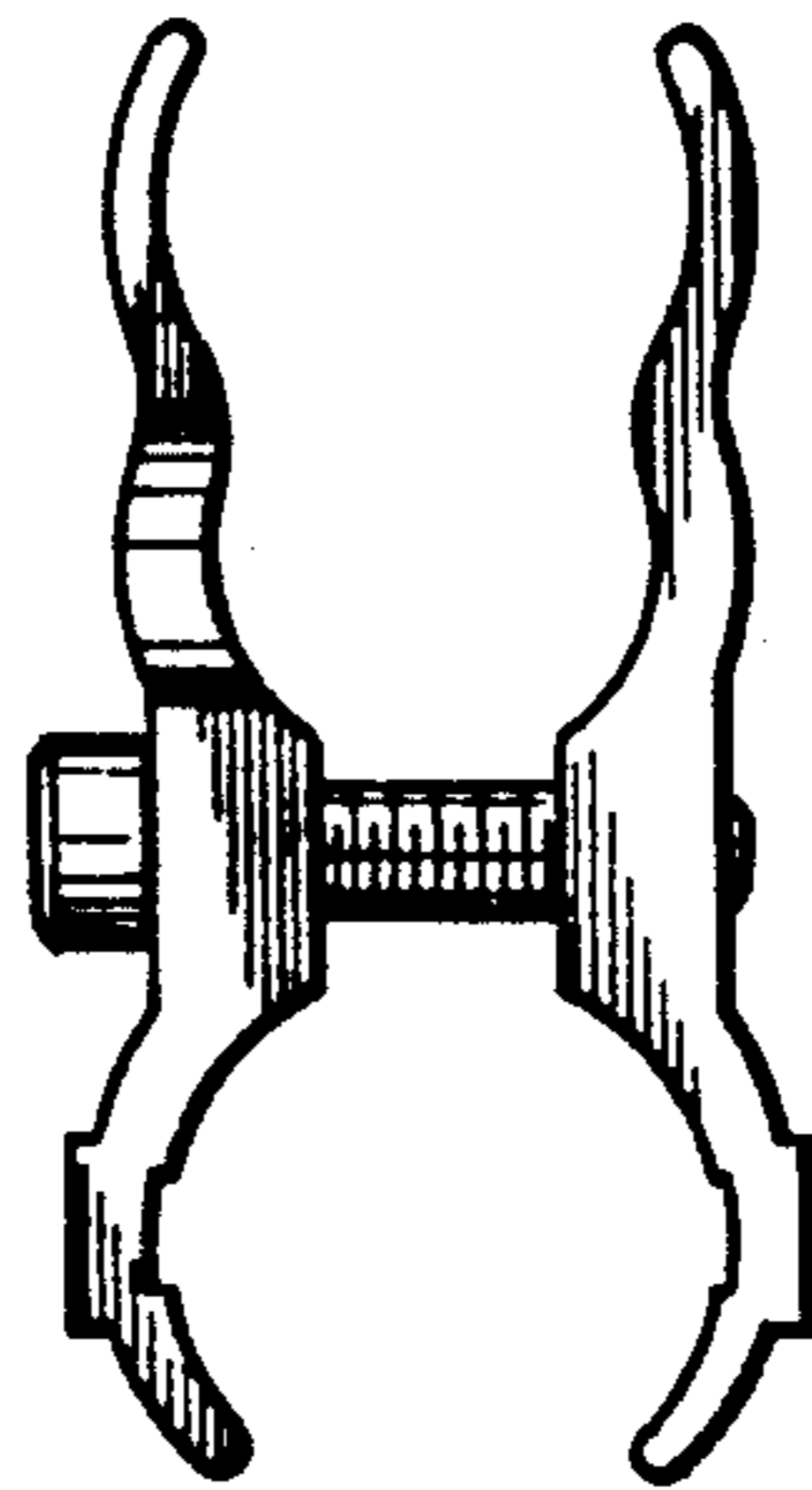


FIG. 2

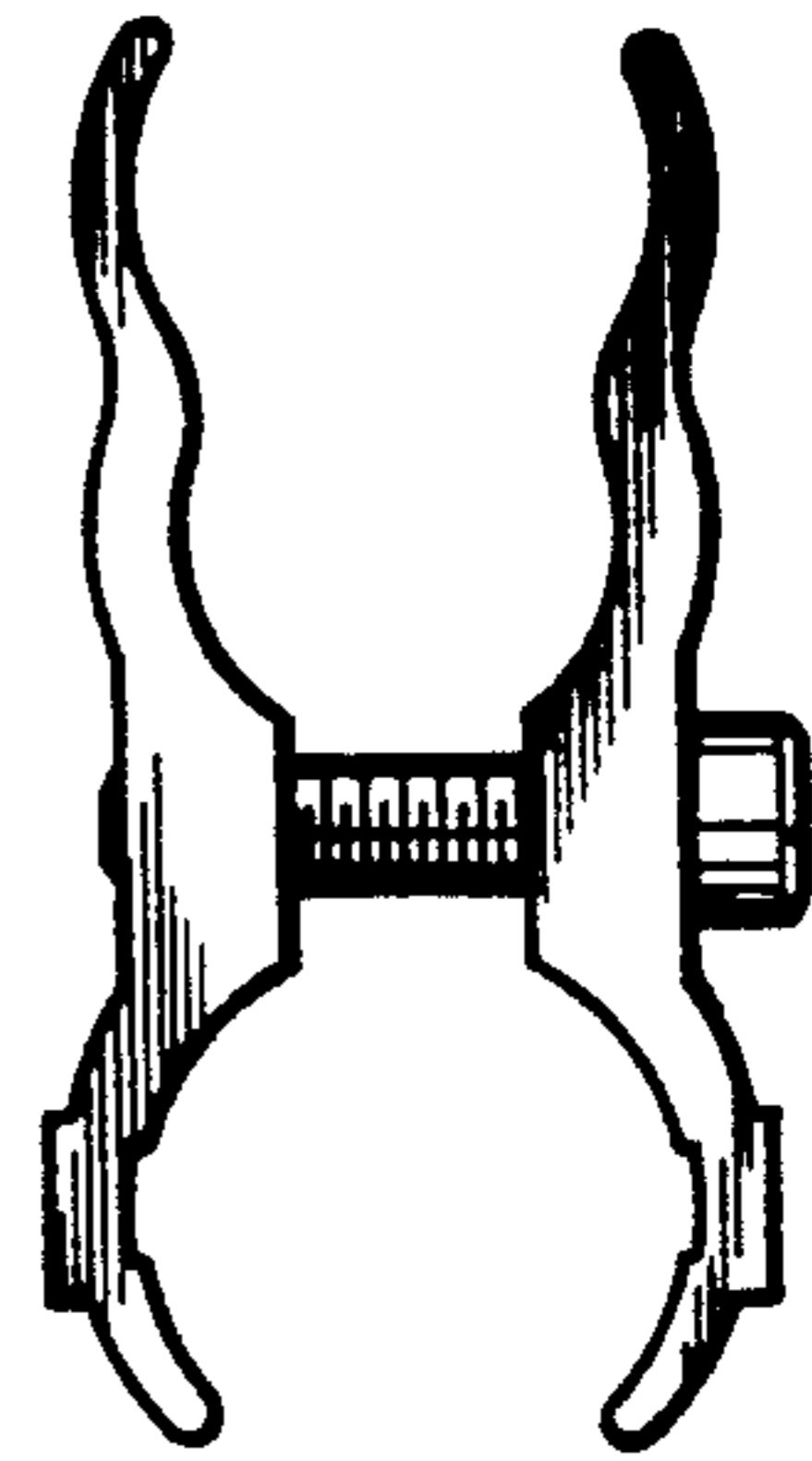


FIG. 3

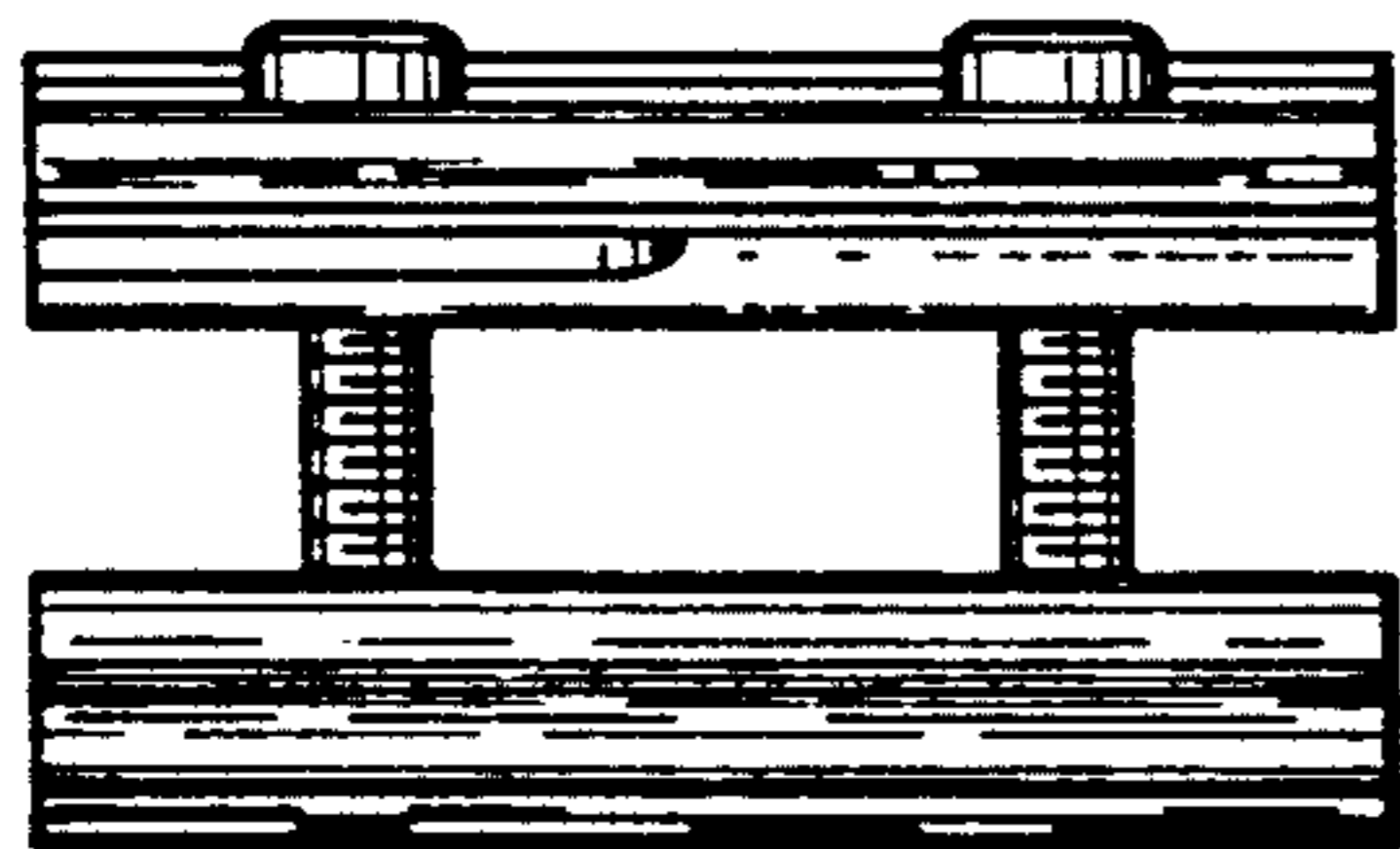


FIG. 4

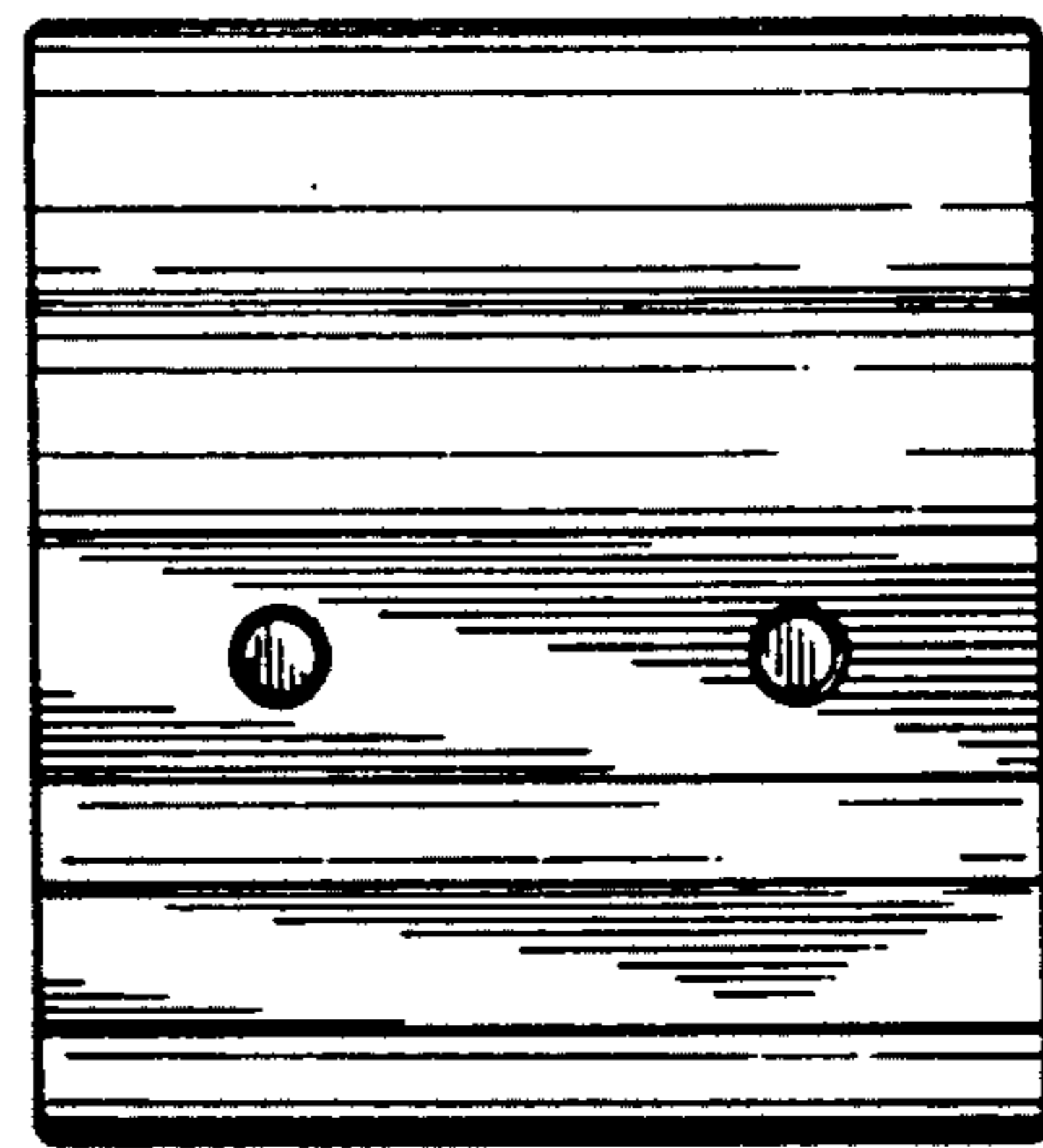


FIG. 5

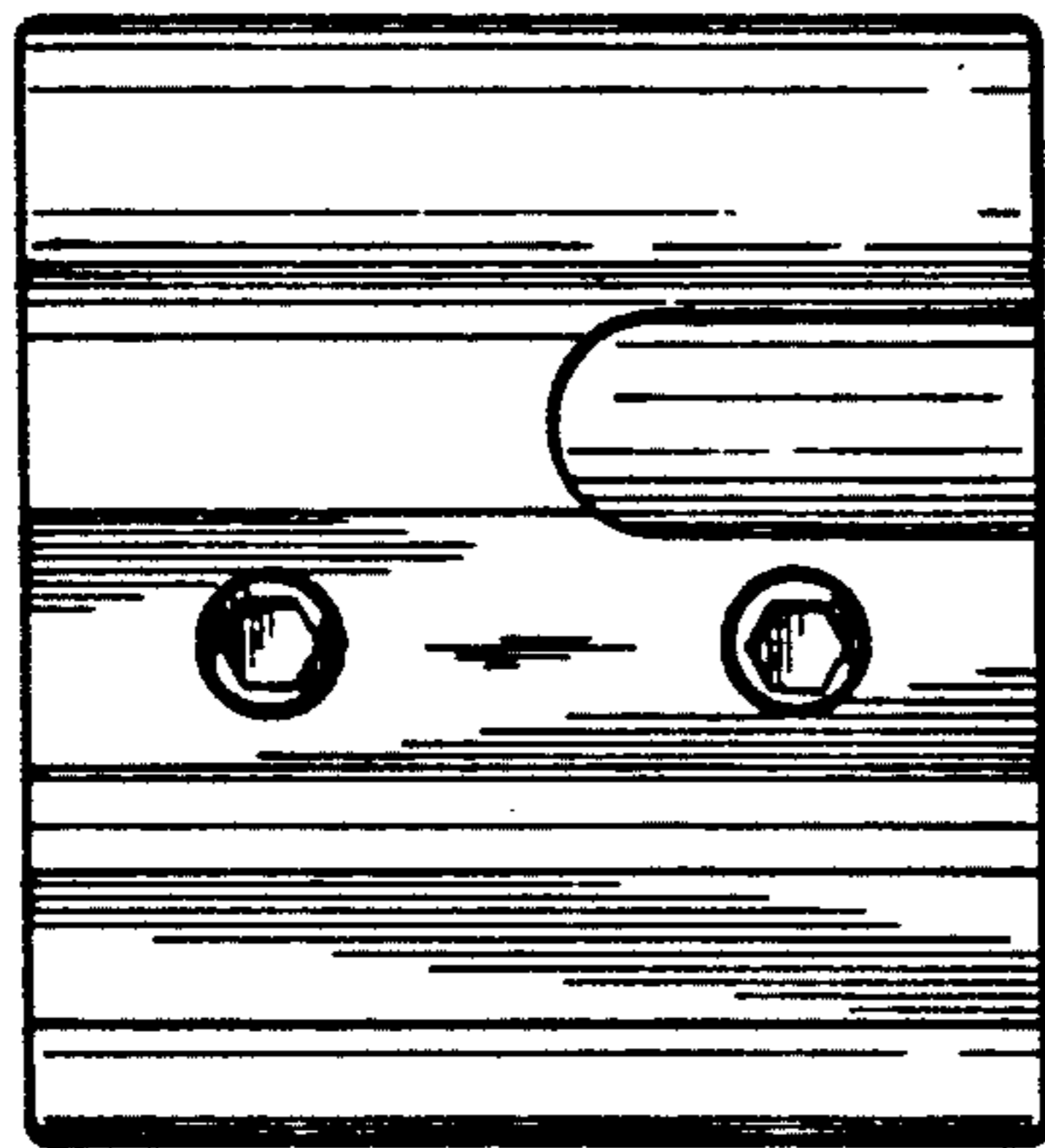


FIG. 6

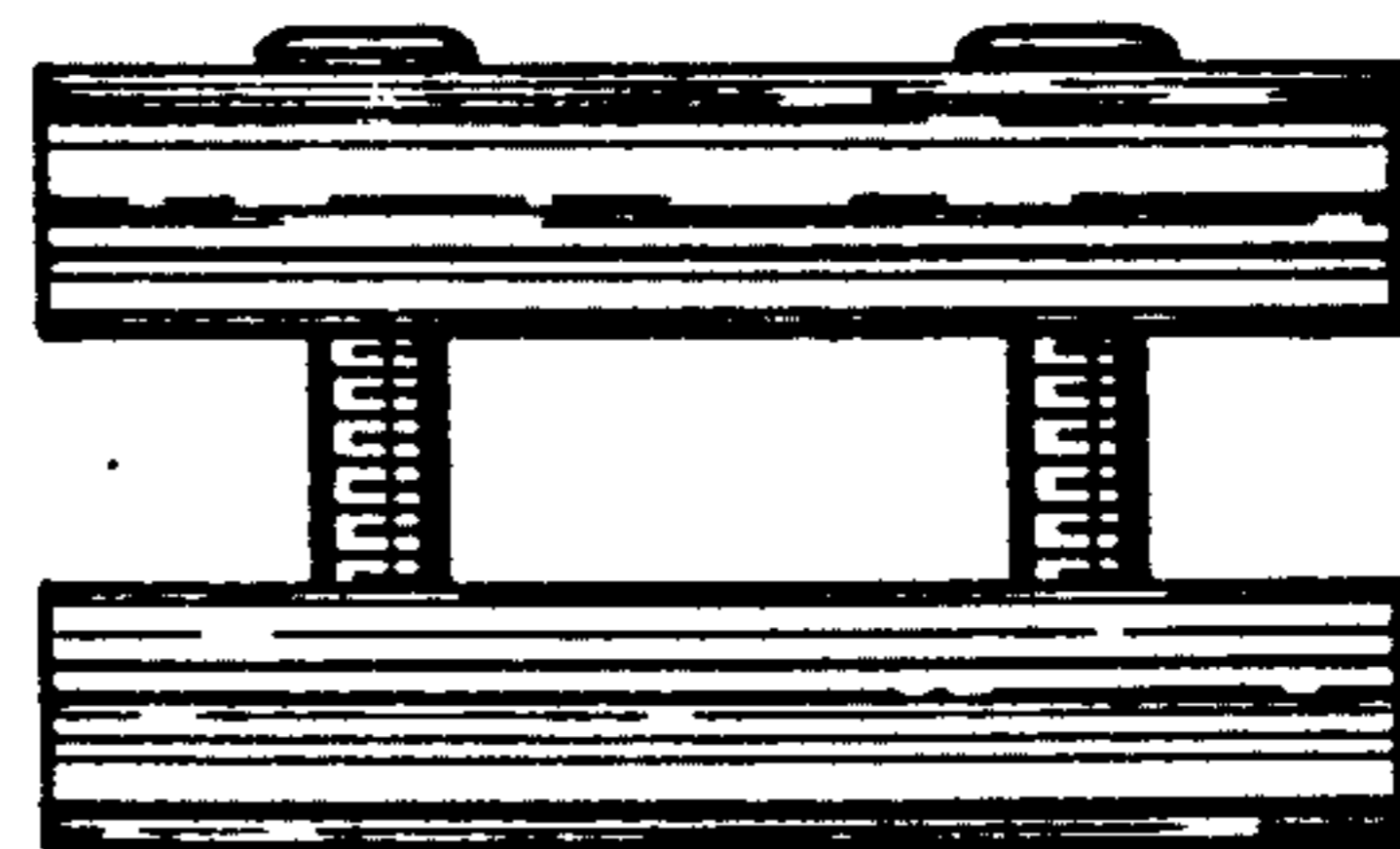


FIG. 7