



US00D331440S

United States Patent [19]

[11] Patent Number: **Des. 331,440**

Smith

[45] Date of Patent: **** Dec. 1, 1992**

[54] HINGE GUARD FOR A GLIDE SWING

[75] Inventor: **Samuel G. Smith**, West Point, Miss.

[73] Assignee: **Par Industries, Inc.**, Medina, Ohio

[**] Term: **14 Years**

[21] Appl. No.: **648,355**

[22] Filed: **Jan. 31, 1991**

[52] U.S. Cl. **D21/242; D8/349**

[58] Field of Search **D8/323, 387, 397, 499; 248/370; 16/251; D21/242**

[56] **References Cited**

U.S. PATENT DOCUMENTS

3,531,077	9/1970	Trottier et al.	248/370
4,039,263	8/1977	Bässler	D8/354 X
4,129,975	12/1978	Gabriel	D8/354 X
4,961,558	10/1990	Cunard	248/370

Primary Examiner—Wallace R. Burke
Assistant Examiner—H. Baynham
Attorney, Agent, or Firm—Renner, Kenner, Greive, Bobak, Taylor & Weber

[57] **CLAIM**

The ornamental design for a hinge guard for a glide swing, as shown and described.

DESCRIPTION

FIG. 1 is a perspective view of a hinge guard for a glide swing showing my new design; FIG. 2 is a side elevational view thereof with the opposite side being a mirror image thereof; FIG. 3 is a front elevational view thereof with the rear being a mirror image thereof; FIG. 4 is a top plan view thereof; and, FIG. 5 is a bottom plan view thereof. The broken line showing of a portion of a swing is for illustrative purposes only and forms no part of the claimed design.

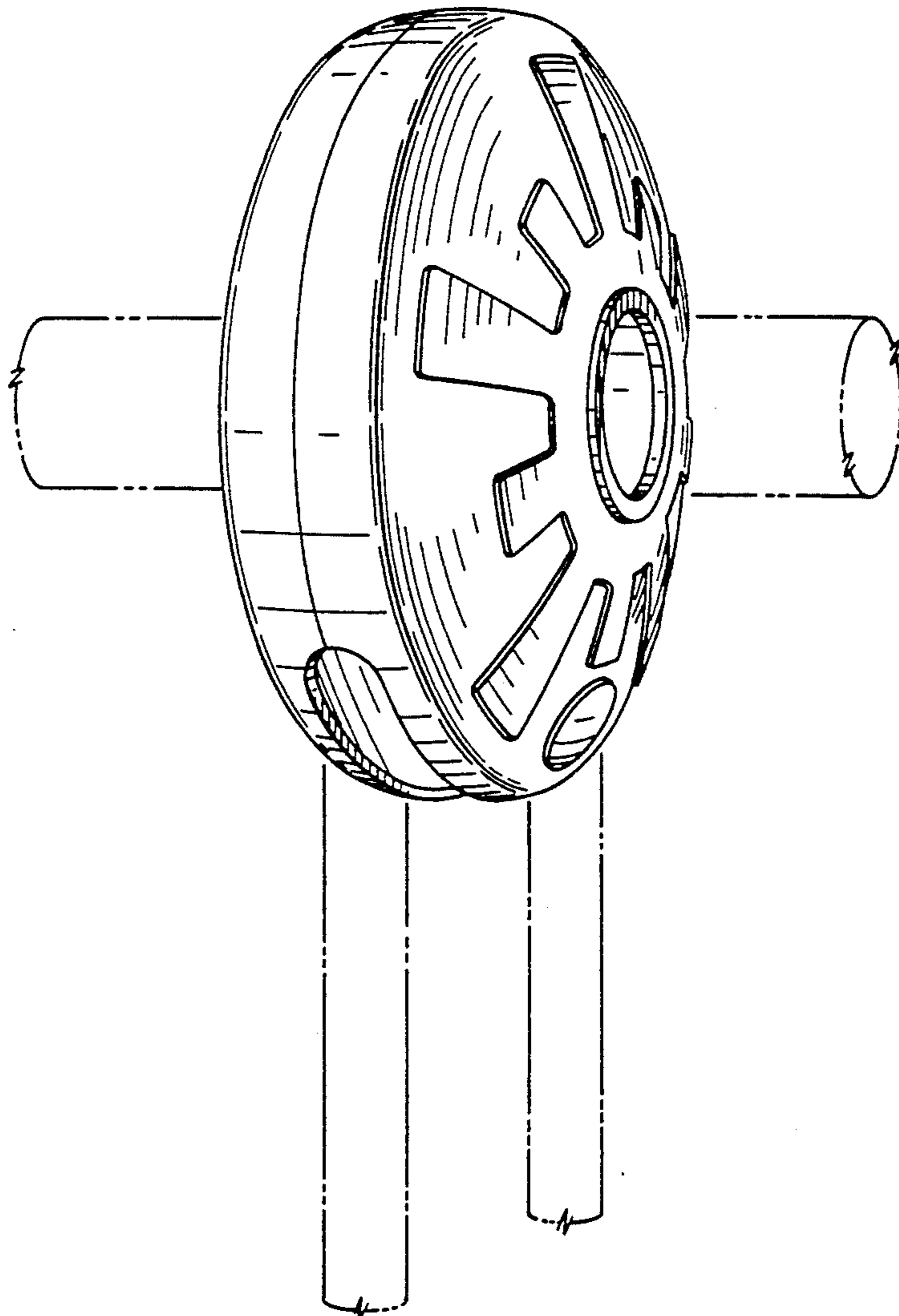
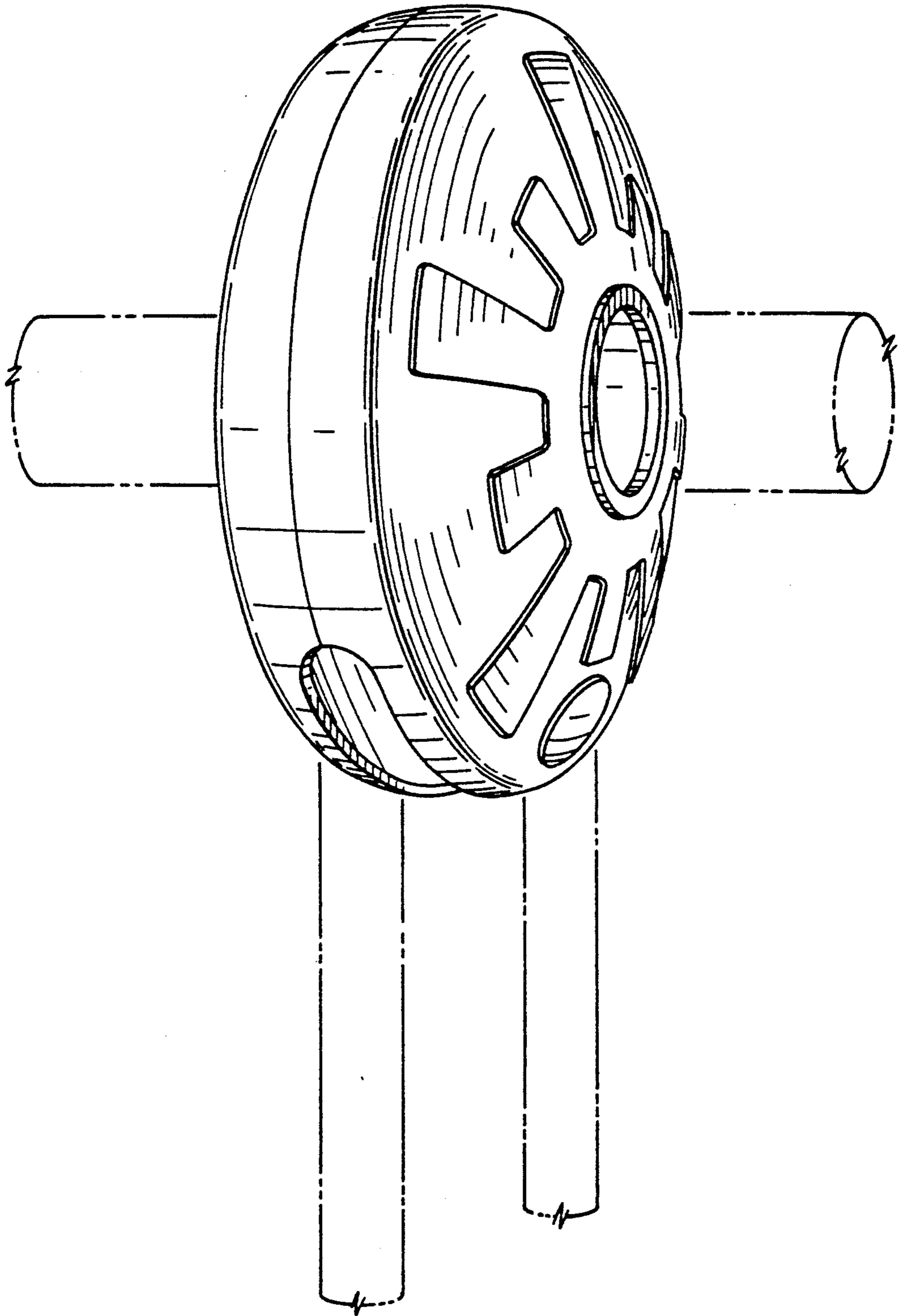


FIG. 1



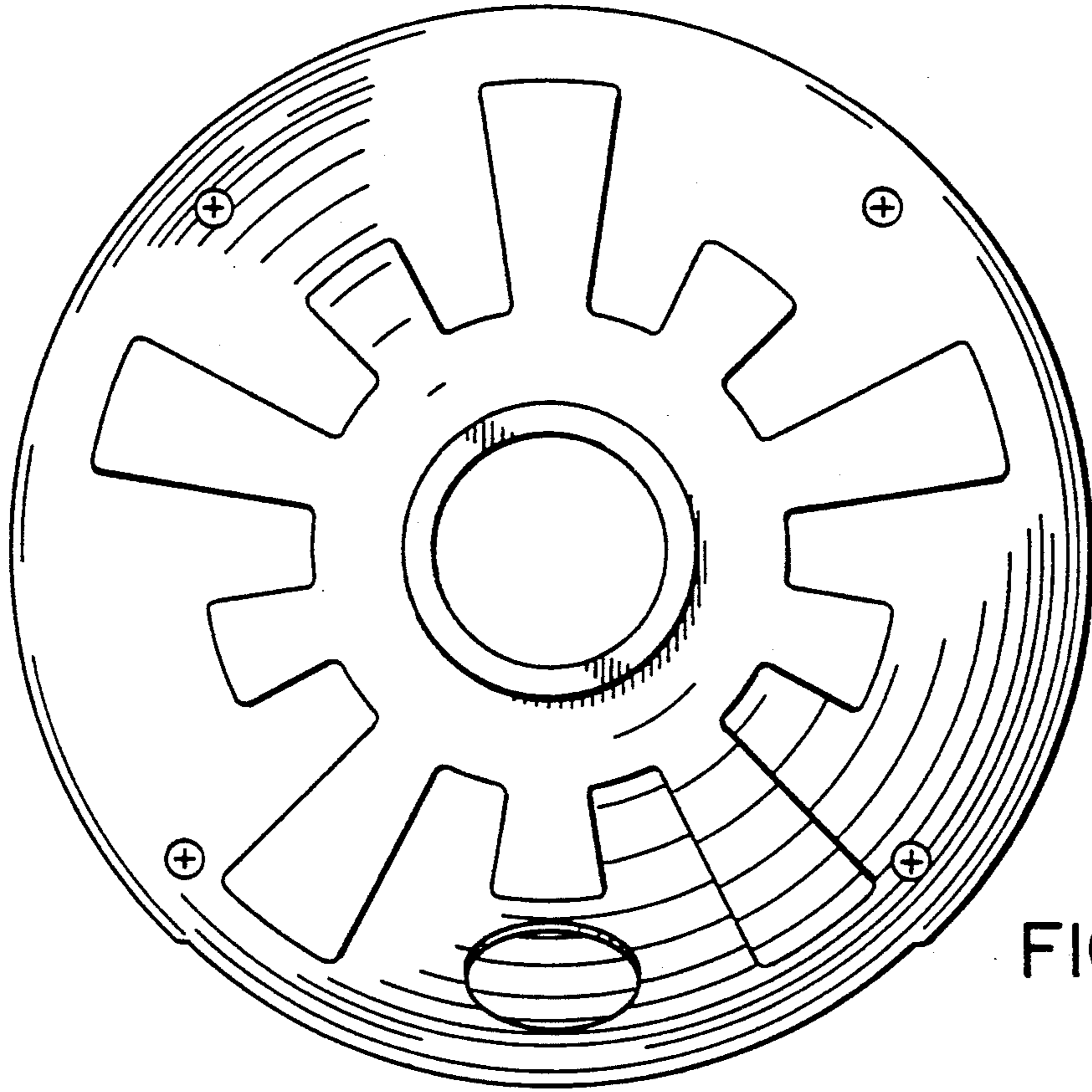


FIG. 2

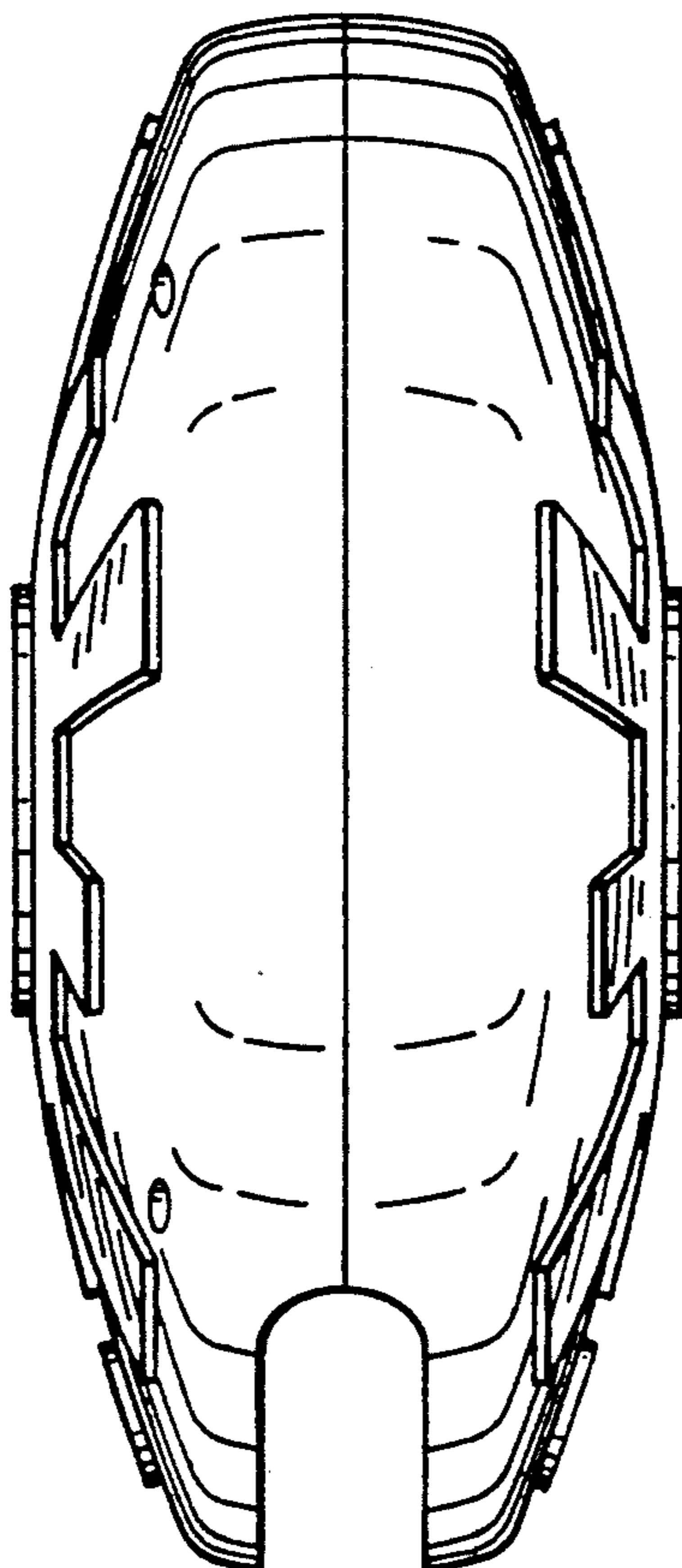


FIG. 3

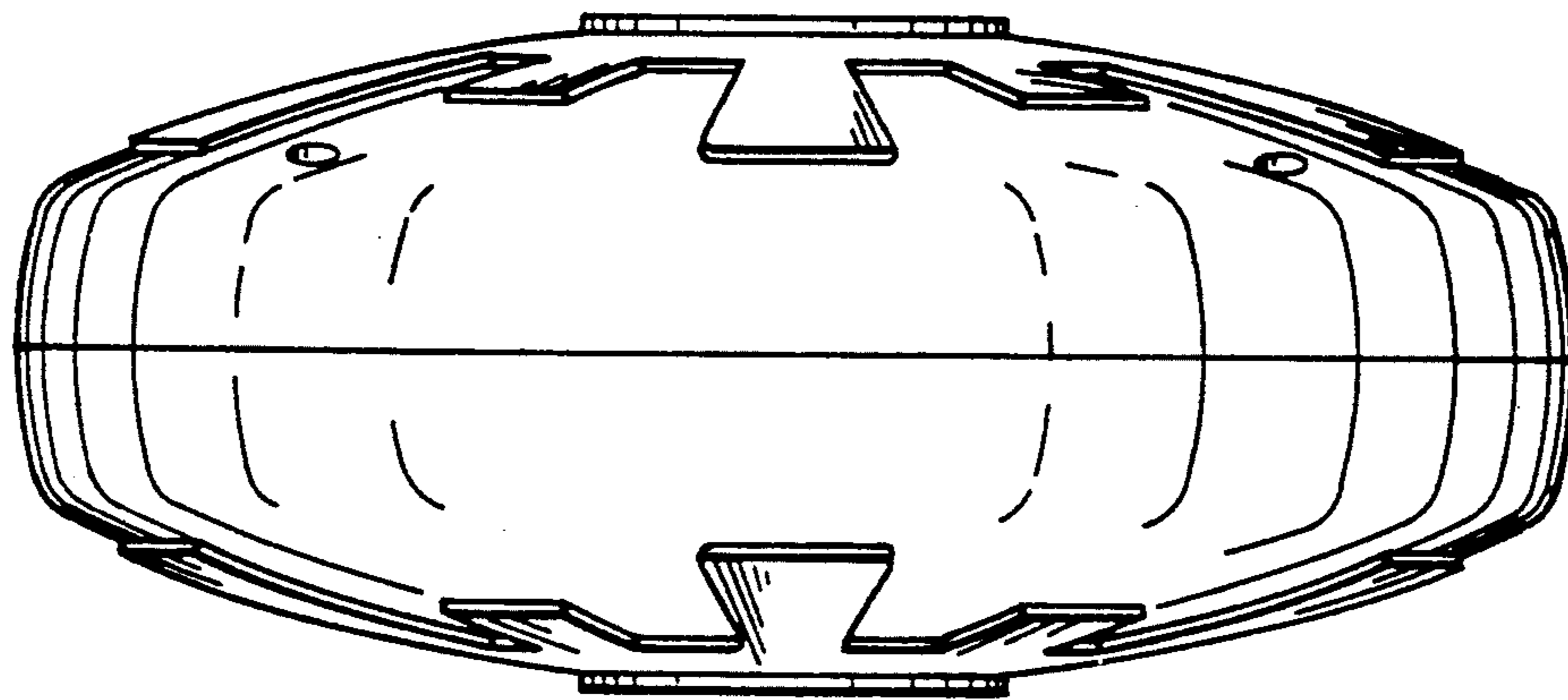


FIG. 4

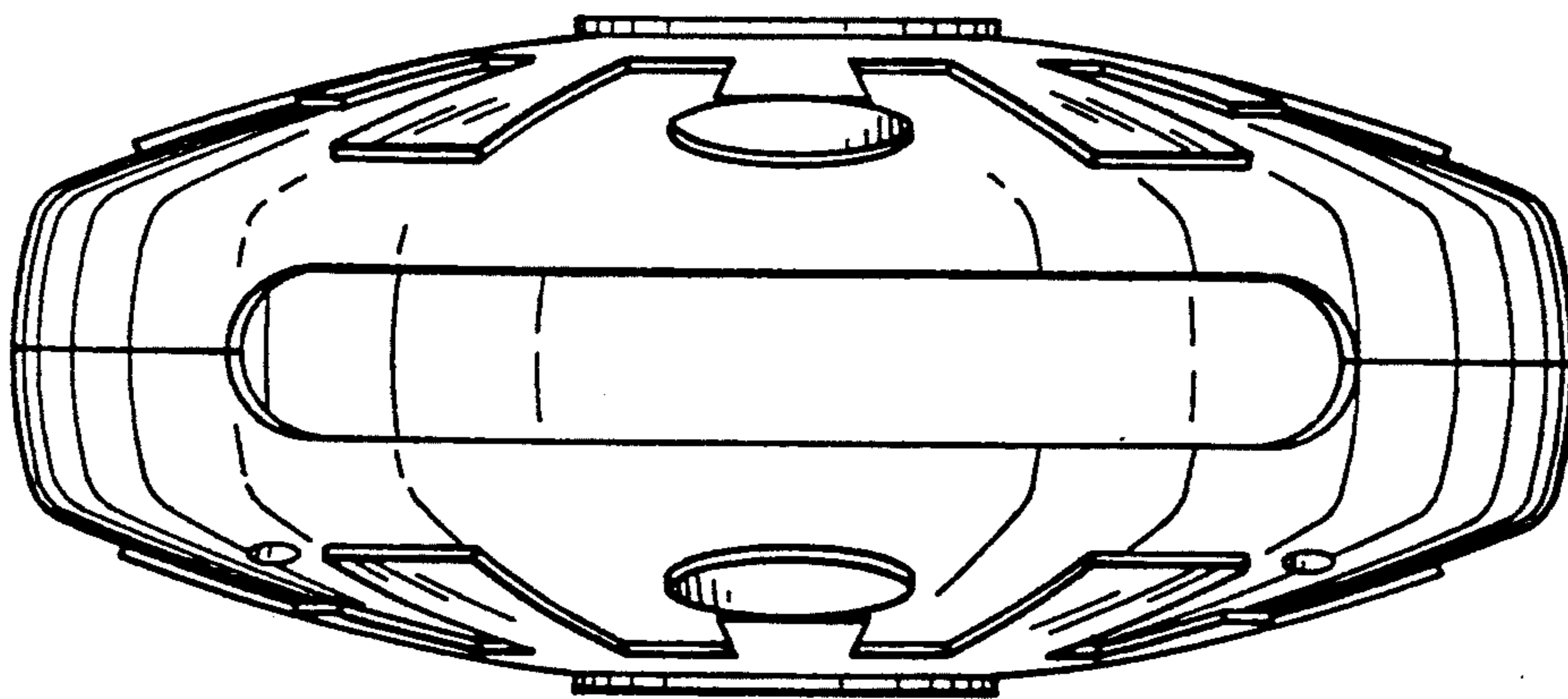


FIG. 5