



US00D331433S

United States Patent [19]

[11] Patent Number: **Des. 331,433**

Järnros

[45] Date of Patent: **** Dec. 1, 1992**

[54] ELEMENT FOR A TOY BUILDING SET

[75] Inventor: **Claes-Runo Albert E. Järnros,**
Billund, Denmark

[73] Assignee: **Interlego, A.G.,** Baar, Switzerland

[**] Term: **14 Years**

[21] Appl. No.: **621,949**

[22] Filed: **Dec. 4, 1990**

[52] U.S. Cl. **D21/108**

[58] Field of Search **D21/108, 124, 135, 141,**
D21/142; D14/217; D19/59, 62; 446/88, 94,
95, 96, 103, 107, 121, 128, 485, 487

[56] **References Cited**

U.S. PATENT DOCUMENTS

Re. 18,738	2/1933	Gilmond .	
D. 285,101	8/1986	Nakata	D21/108
D. 290,722	7/1987	Kushner	D21/108
D. 303,819	10/1989	Frederiksen	D21/108
D. 304,046	10/1989	Knudsen	D21/108

D. 304,468	11/1989	Dideriksen	D21/108
D. 314,990	2/1991	Refsing	D21/108
2,560,155	7/1951	Brunetti .	
3,488,881	1/1970	Holzer	446/95
3,849,930	11/1974	Stubbmann .	

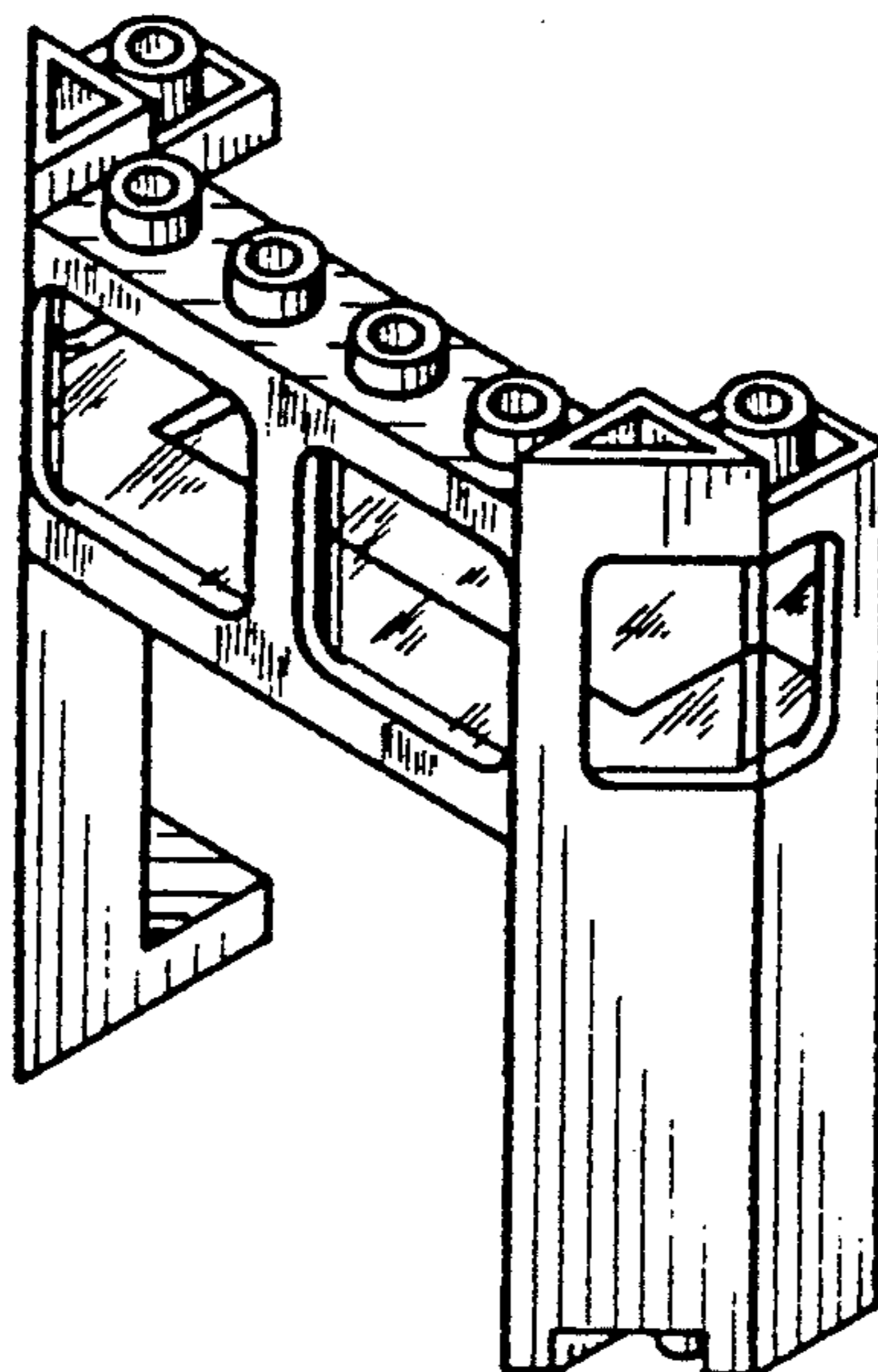
Primary Examiner—Bernard Ansher
Assistant Examiner—R. Barkai
Attorney, Agent, or Firm—Kane, Dalsimer, Sullivan,
Kurucz, Levy, Eisele and Richard

[57] CLAIM

The ornamental design for an element for a toy building set, as shown and described.

DESCRIPTION

FIG. 1 is a top perspective view of an element for a toy building set showing my new design;
FIG. 2 is a front elevational view thereof;
FIG. 3 is a side elevational view thereof, the other side being a mirror image;
FIG. 4 is a rear side elevational view thereof;
FIG. 5 is a top plan view thereof; and,
FIG. 6 is a bottom plan view thereof.



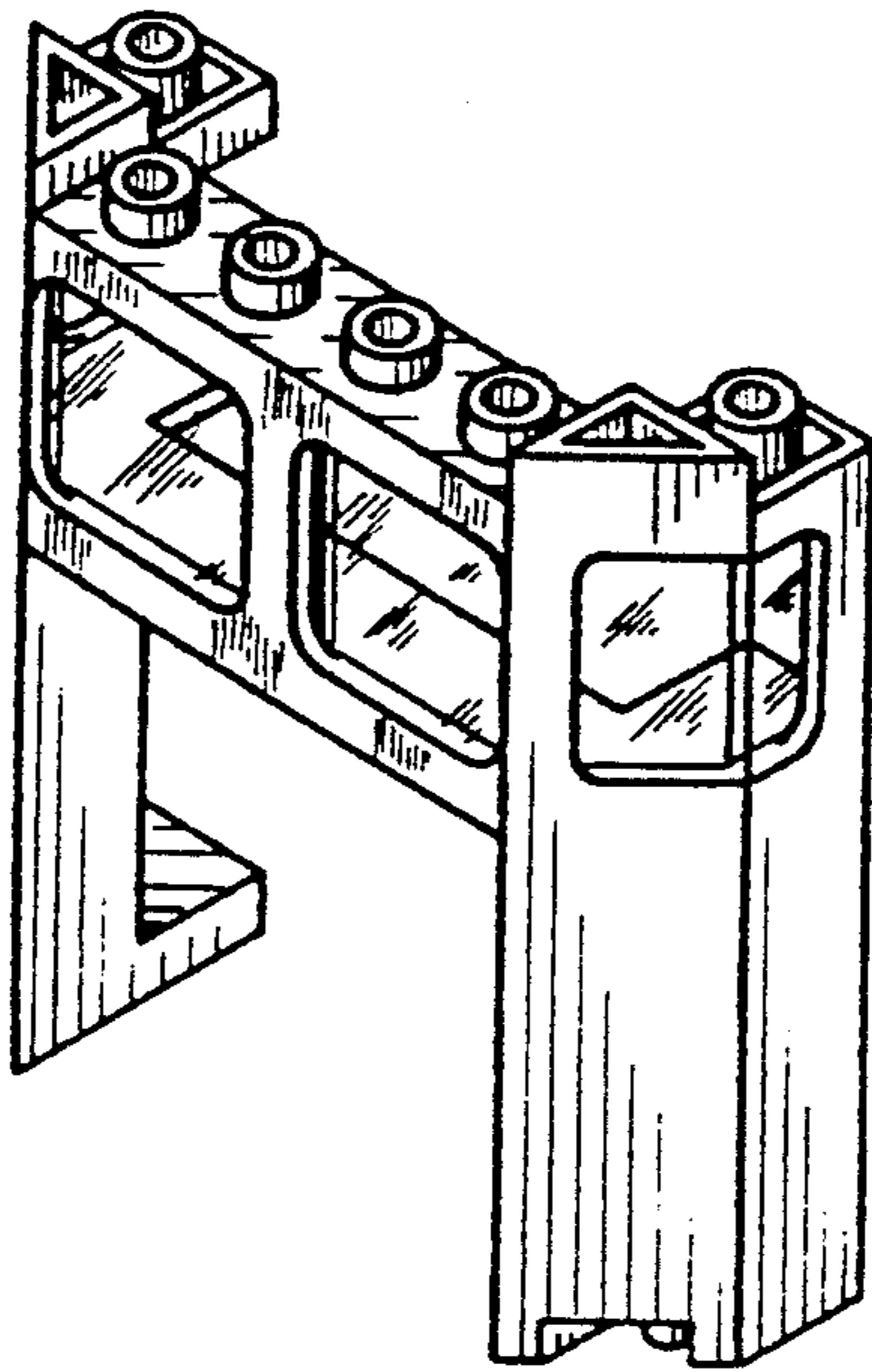


FIG. 1

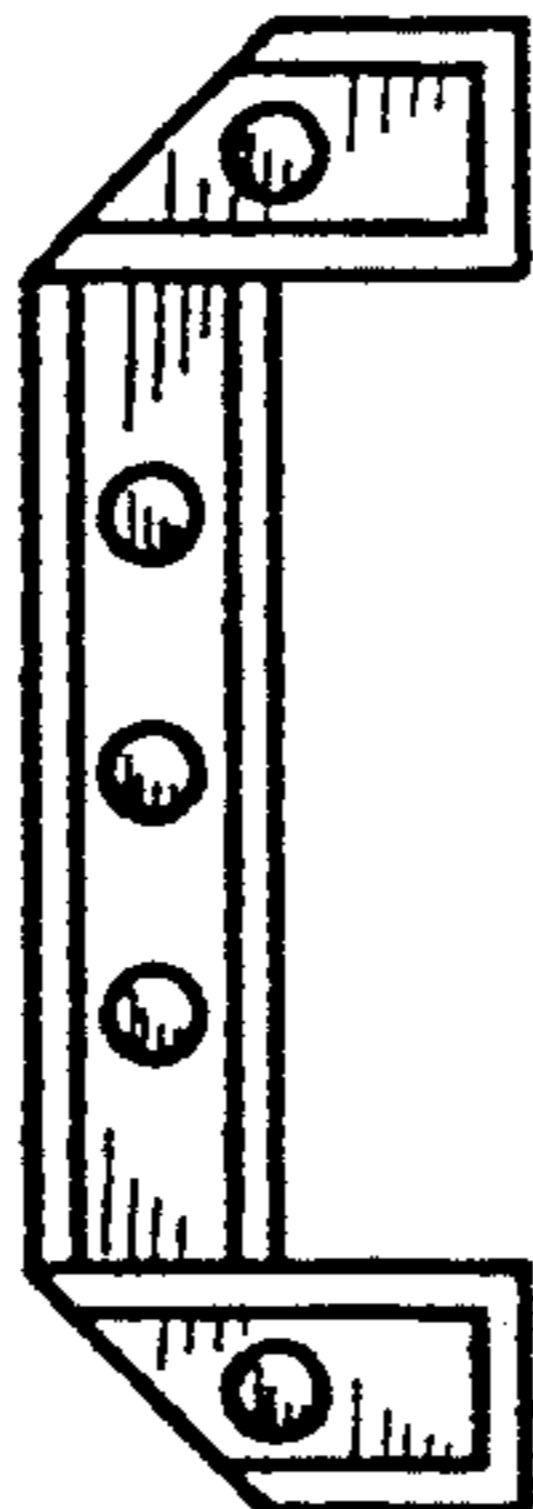


FIG. 6

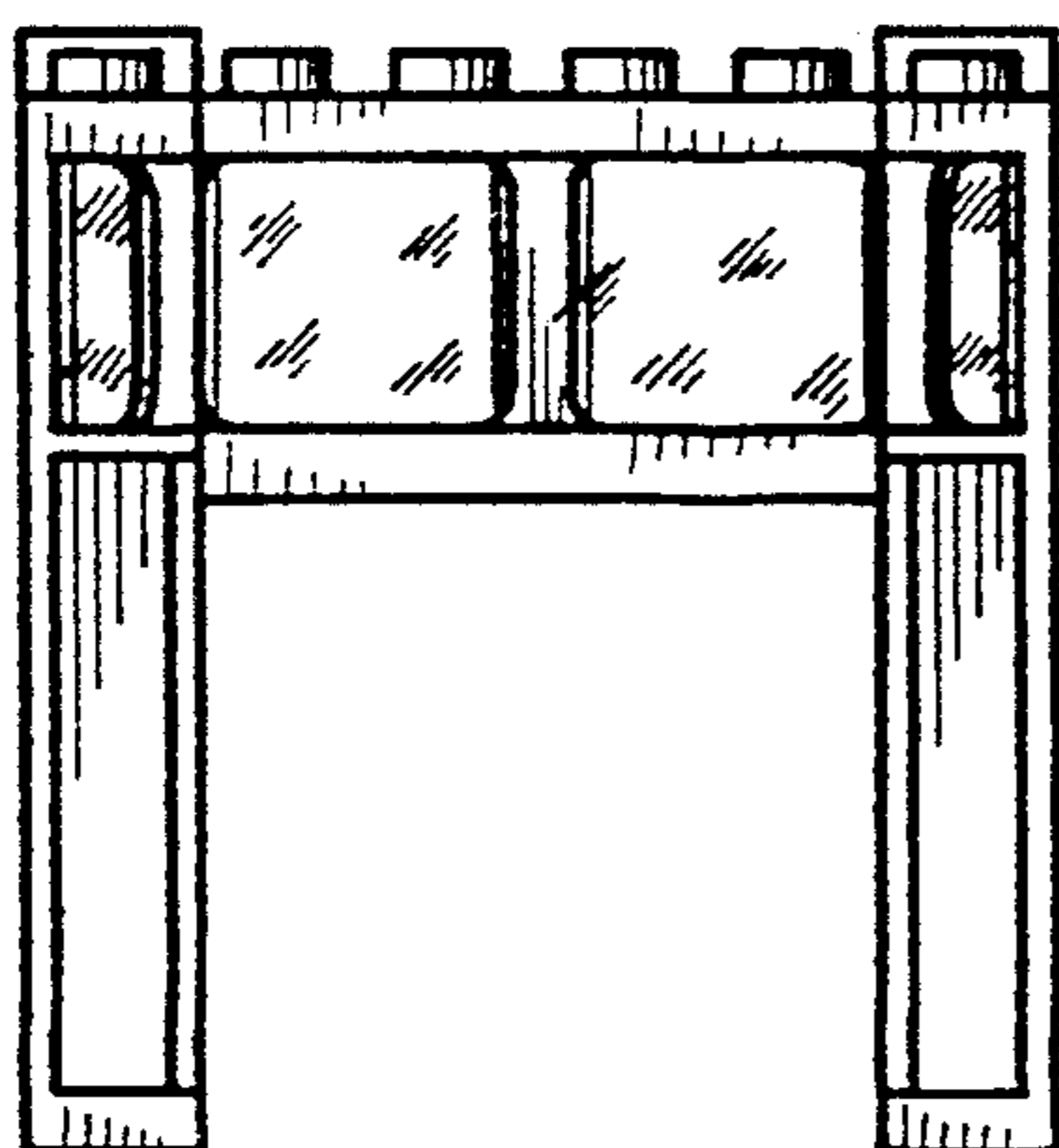


FIG. 4

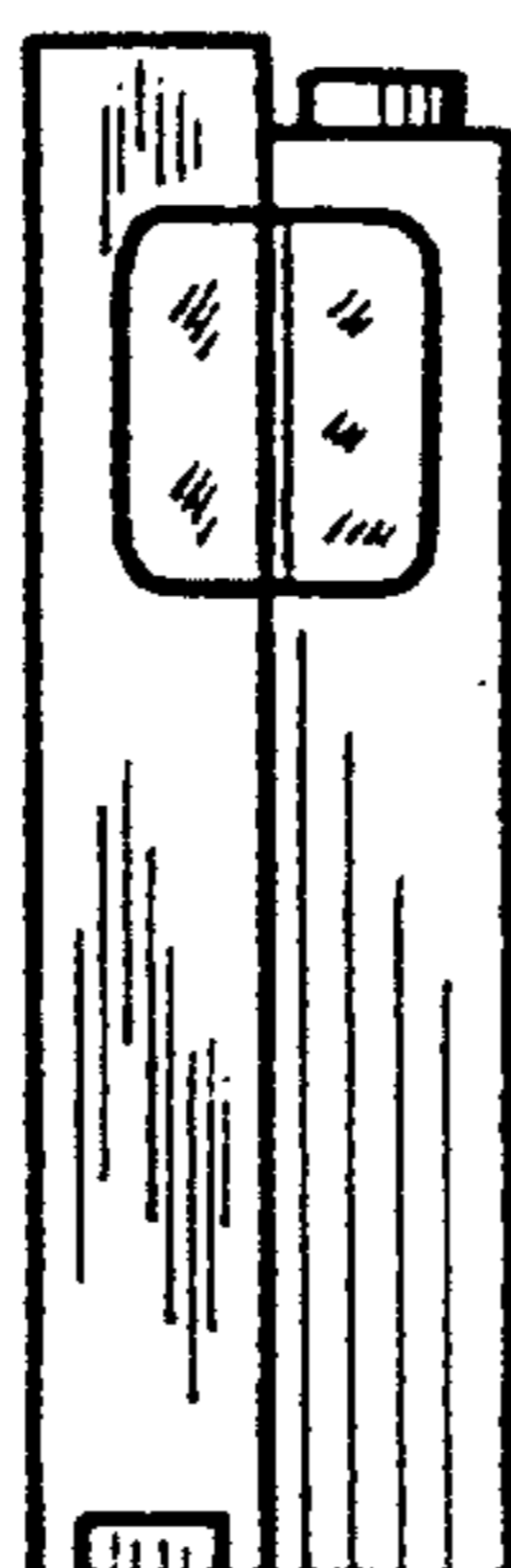


FIG. 3

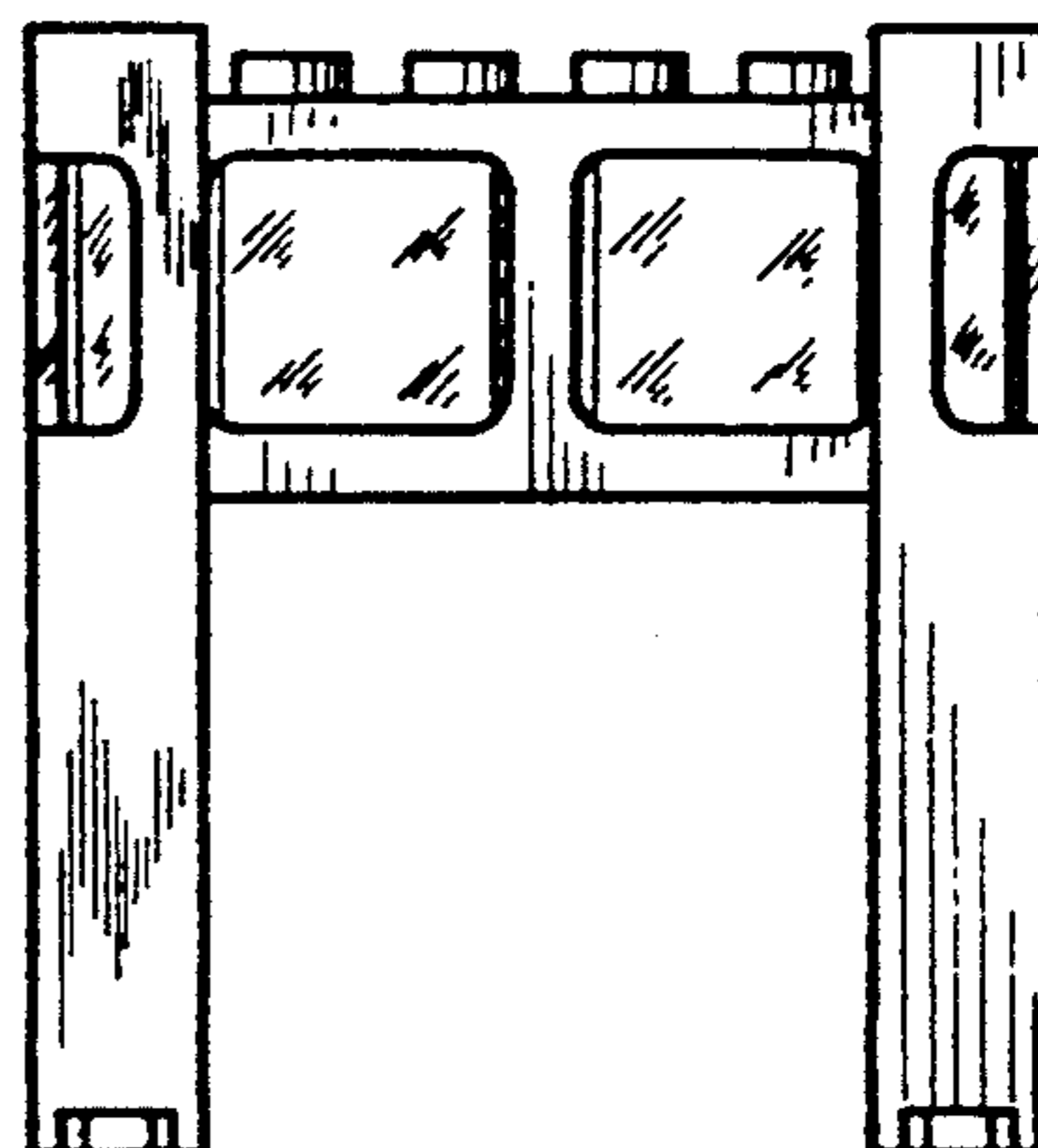


FIG. 2

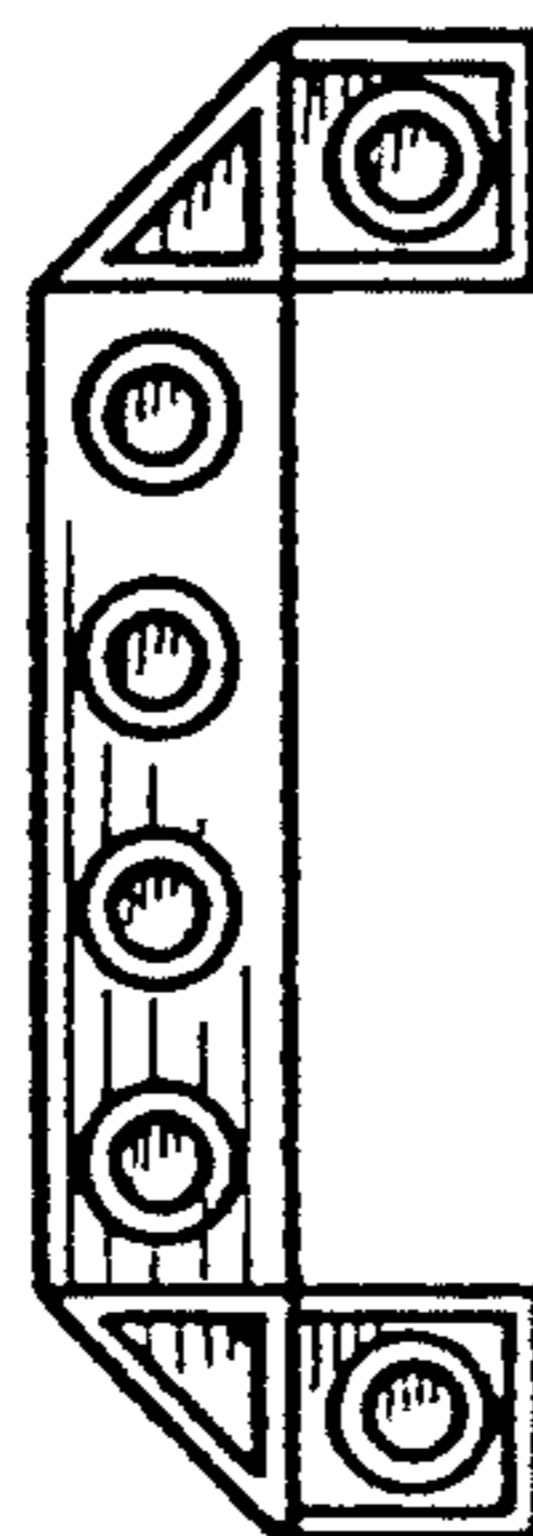


FIG. 5