



US00D331430S

United States Patent [19]

[11] Patent Number: **Des. 331,430**

Nolan

[45] Date of Patent: **** Dec. 1, 1992**

[54] **CHILD'S ROCKING AND ROTATING RIDING TOY**

3,041,070	6/1962	Kerstein	472/25
4,025,107	5/1977	Chippa	472/25 X
4,084,273	4/1978	Haynes	472/25 X
4,811,942	3/1989	Rusk	472/14

[75] Inventor: **Robert J. Nolan**, Columbus, Miss.

[73] Assignee: **Par Industries, Inc.**, Medina, Ohio

[**] Term: **14 Years**

[21] Appl. No.: **593,628**

[22] Filed: **Oct. 5, 1990**

[52] U.S. Cl. **D21/66; D21/249**

[58] Field of Search **D21/66, 249; 272/7, 272/28 R, 33 R, 33 A, 42; 472/1, 6, 14, 25, 27**

Primary Examiner—Bernard Ansher
Assistant Examiner—Dominic Simone
Attorney, Agent, or Firm—Renner, Kenner, Greive, Bobak, Taylor & Weber

[57] CLAIM

The ornamental design for a child's rocking and rotating riding toy for children, as shown and described.

DESCRIPTION

FIG. 1 is a top perspective view of a child's rocking and rotating riding toy showing my new design;

FIG. 2 is a top plan view thereof;

FIG. 3 is a side elevational view thereof, all sides being identical; and,

FIG. 4 is a bottom plan view thereof.

[56] References Cited

U.S. PATENT DOCUMENTS

D. 256,141	7/1980	Lubbe	D21/66
1,395,698	11/1921	Baum et al.	472/25
2,603,301	7/1952	Sipior et al.	472/27 X
2,615,495	10/1952	Hilliker	472/25

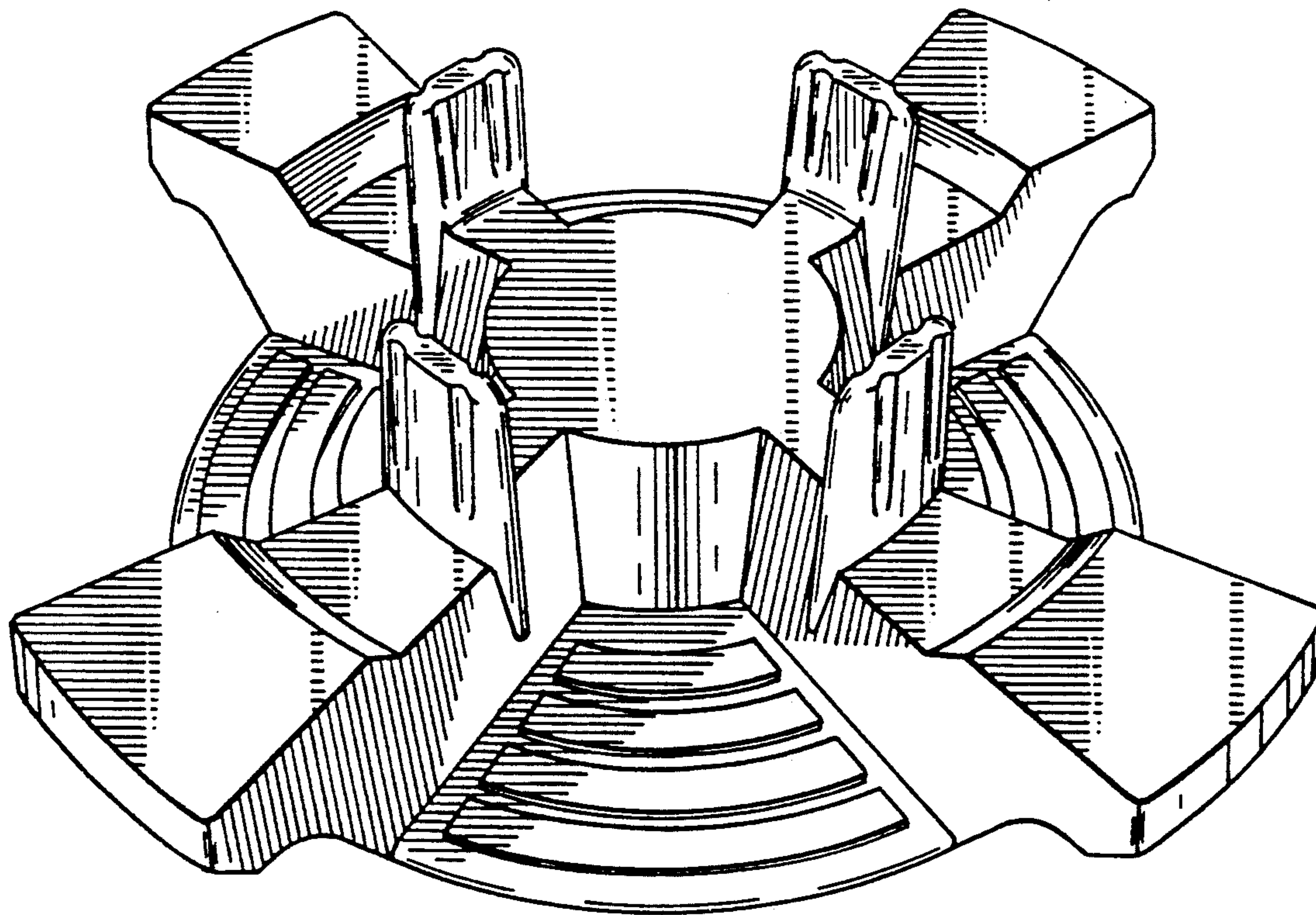


FIG. 1

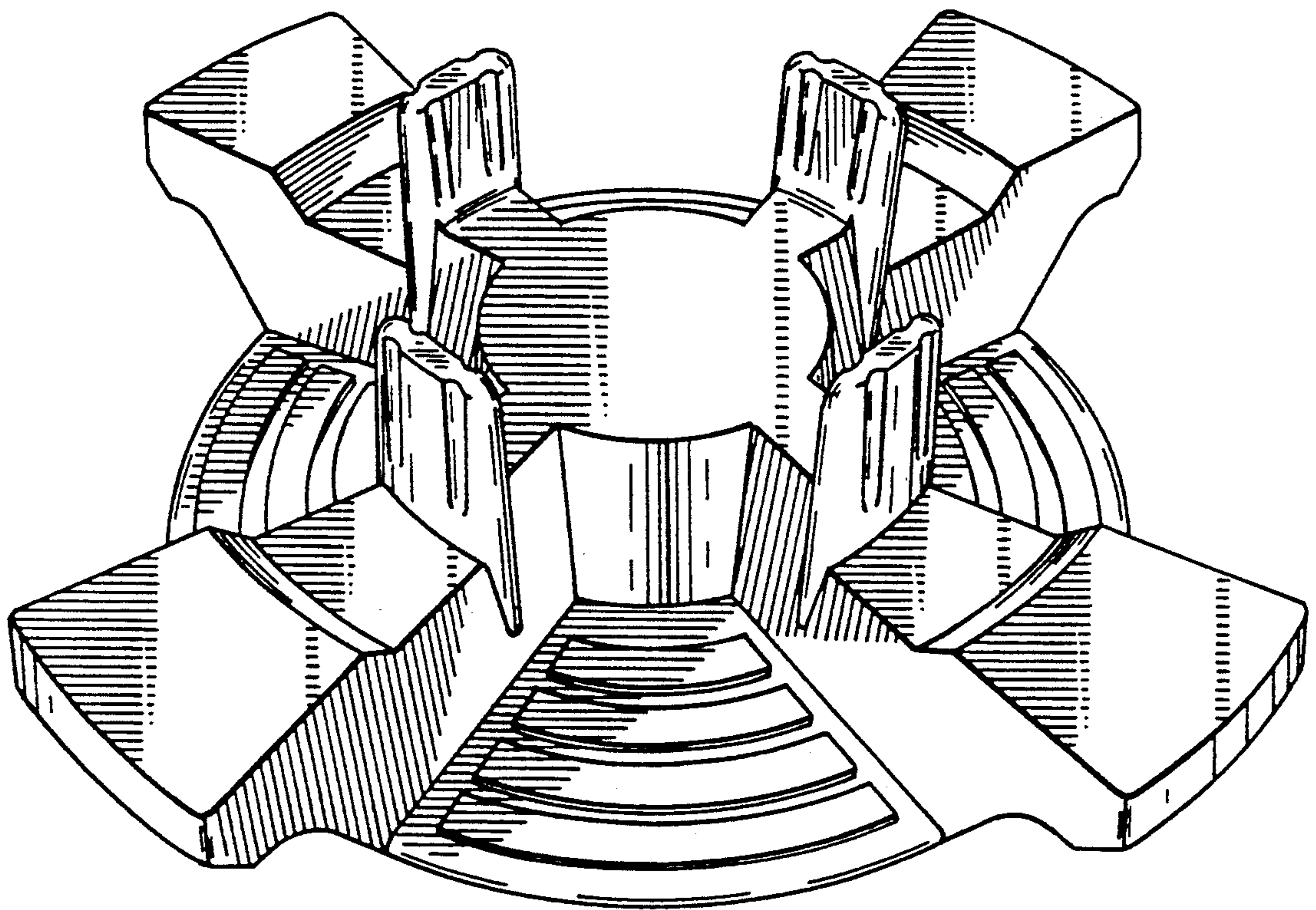


FIG. 2

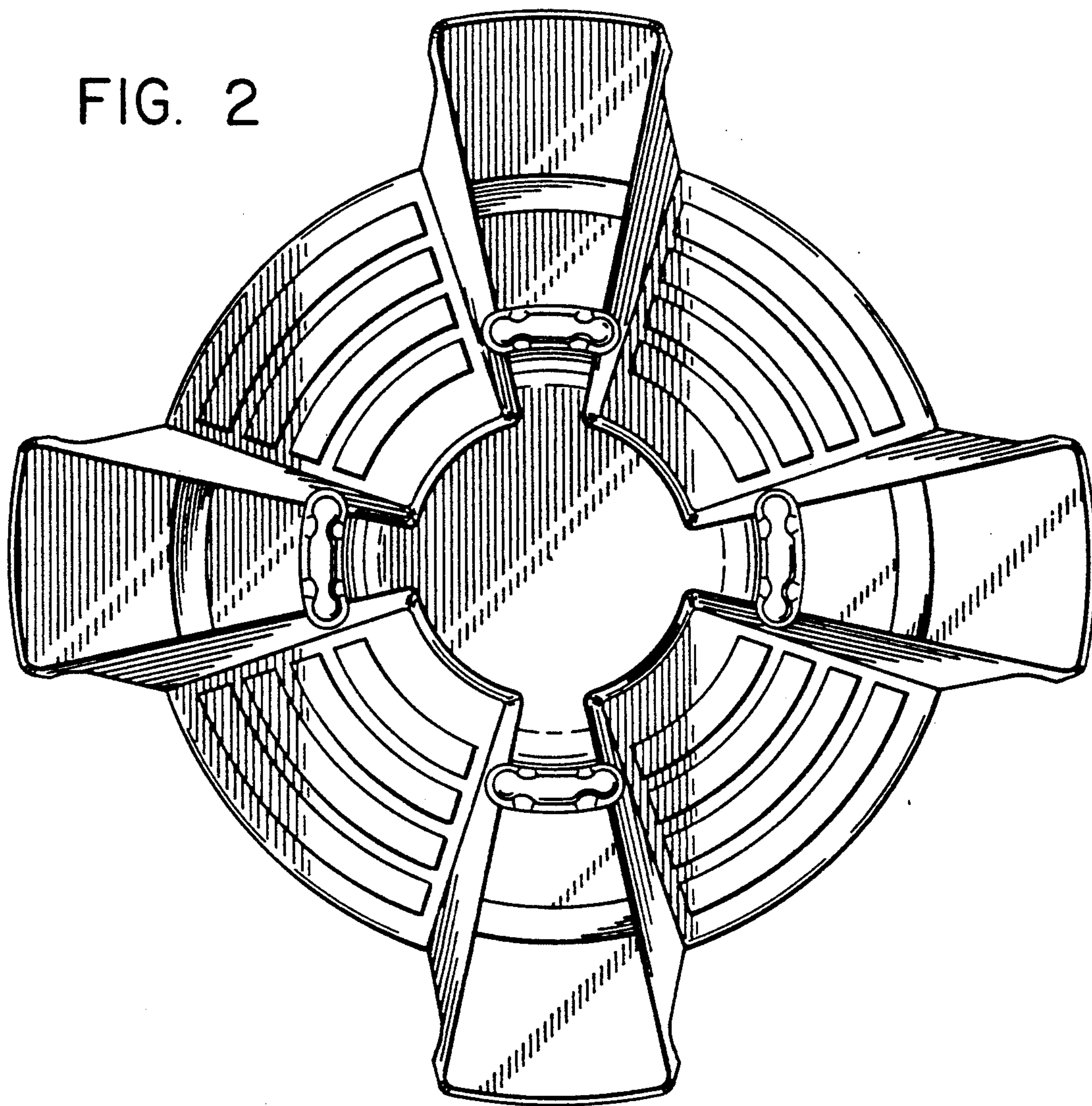


FIG. 3

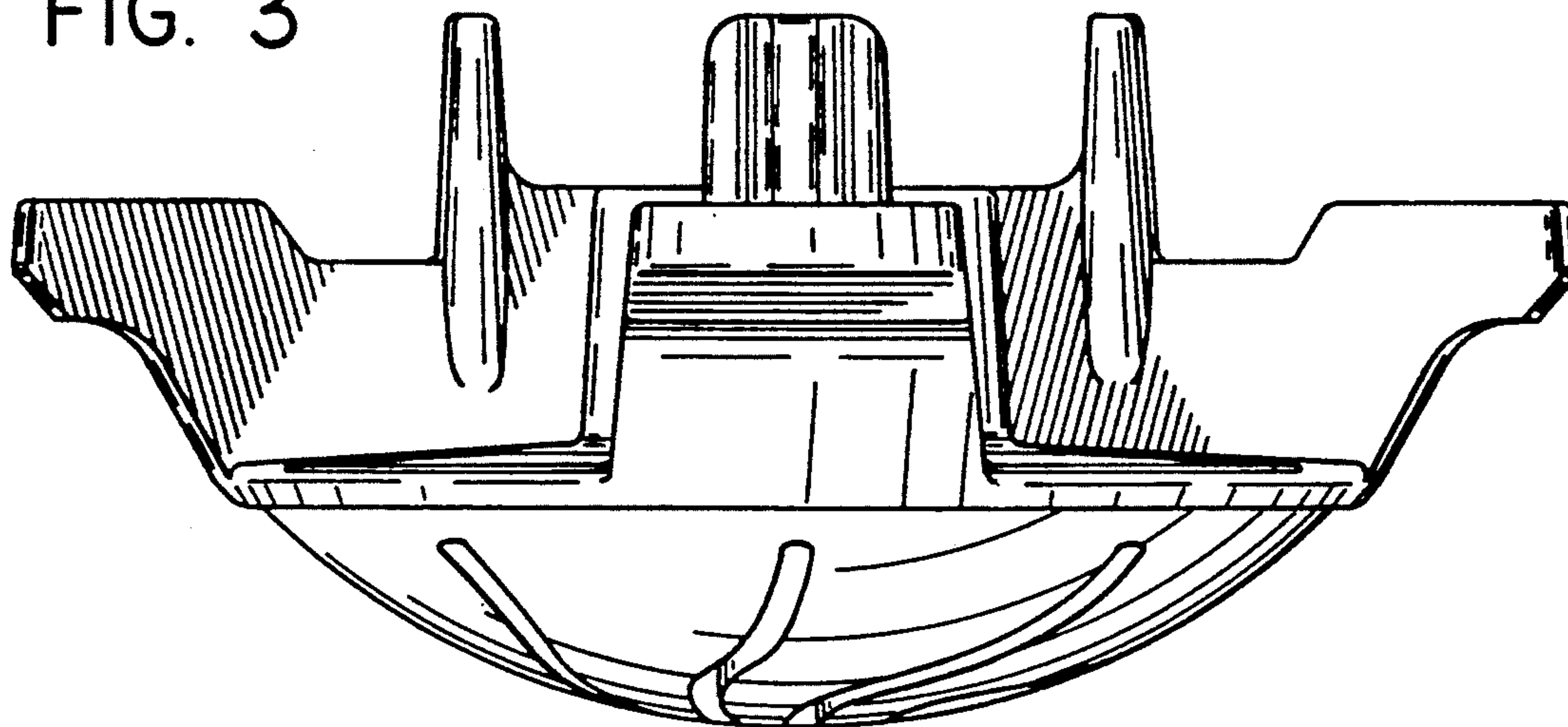


FIG. 4

