



US00D331424S

United States Patent [19]

[11] Patent Number: **Des. 331,424**

Evenson

[45] Date of Patent: **** Dec. 1, 1992**

[54] INDEX CARD FILE

[75] Inventor: **Mel Evenson, San Pedro, Calif.**

[73] Assignee: **Eldon Industries, Inc., Inglewood, Calif.**

[**] Term: **14 Years**

[21] Appl. No.: **597,777**

[22] Filed: **Oct. 15, 1990**

[52] U.S. Cl. **D19/76; D19/75; D19/86; D19/90**

[58] Field of Search **D19/65, 20, 75, 78, D19/76, 84, 86, 90, 91, 92, 95, 99, 100; 211/10, 11, 45, 50, 55; 40/371-380, 384, 404; 312/183, 185, 193**

[56] **References Cited**

U.S. PATENT DOCUMENTS

- D. 101,974 11/1936 Sengbusch D19/84 X
- D. 247,042 1/1978 Neilsen et al. D19/76
- D. 248,963 8/1978 Macowski D19/76

- D. 250,343 11/1978 Macowski D19/76
- D. 251,848 5/1979 Hollerith D19/76
- D. 312,661 12/1990 Lesczak D19/76
- D. 323,188 1/1992 Evenson et al. D19/20
- D. 323,532 1/1992 Evenson D19/78 X
- D. 323,533 1/1992 Williams D19/76

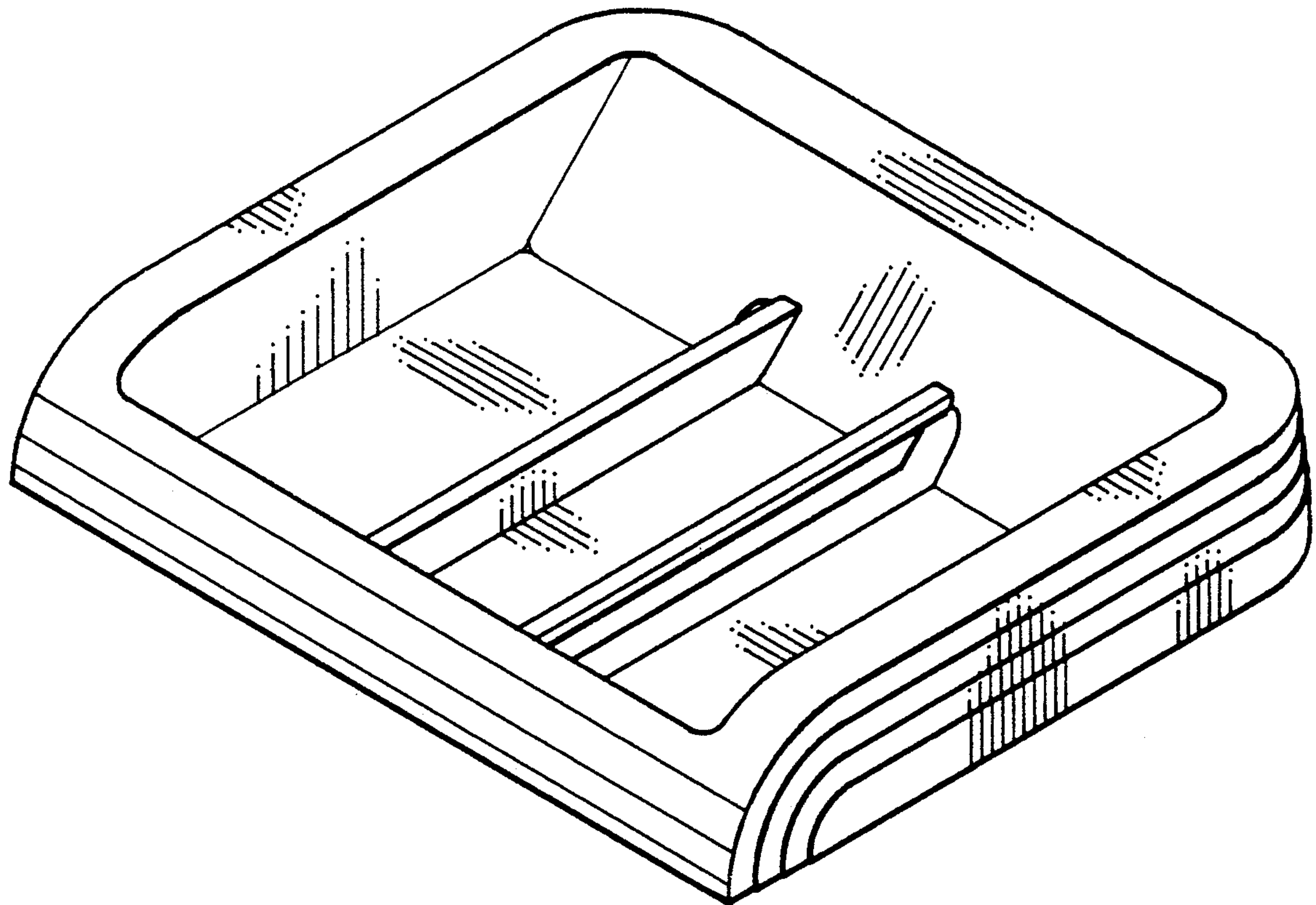
Primary Examiner—Nelson C. Holtje
Assistant Examiner—Martha Thompson

[57] **CLAIM**

The ornamental design for a index card file, as shown and described.

DESCRIPTION

FIG. 1 is a front elevational view of a index card file showing my new design;
FIG. 2 is a rear elevational view;
FIG. 3 is a right side elevational view, the left side being a mirror image thereof;
FIG. 4 is a top plan view;
FIG. 5 is a bottom plan view; and,
FIG. 6 is a top right front perspective view thereof.



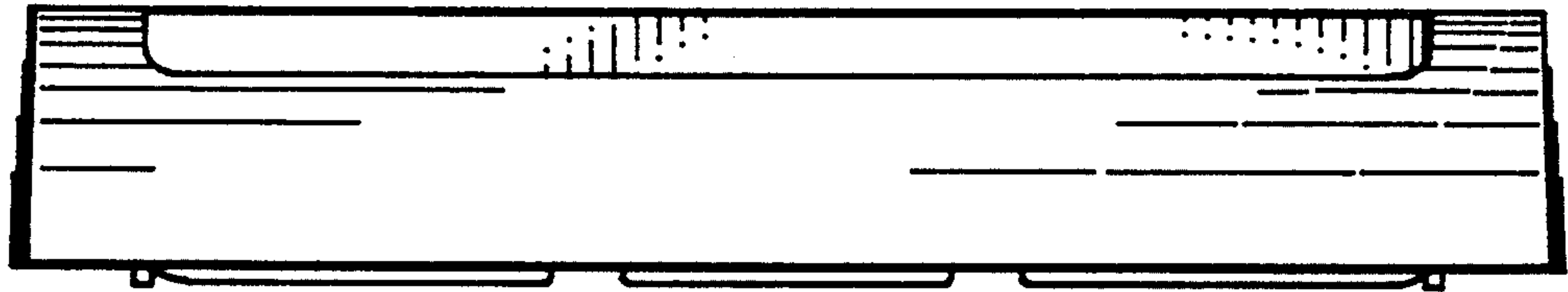


FIG 1

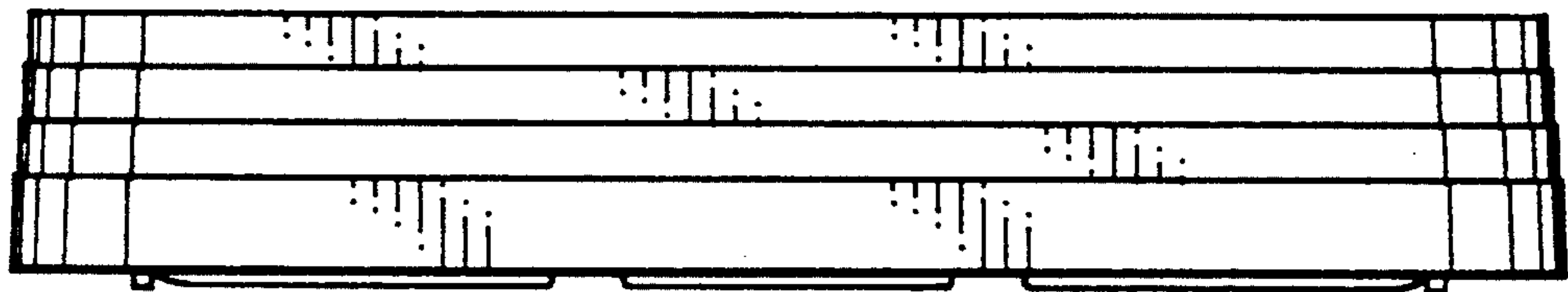


FIG 2

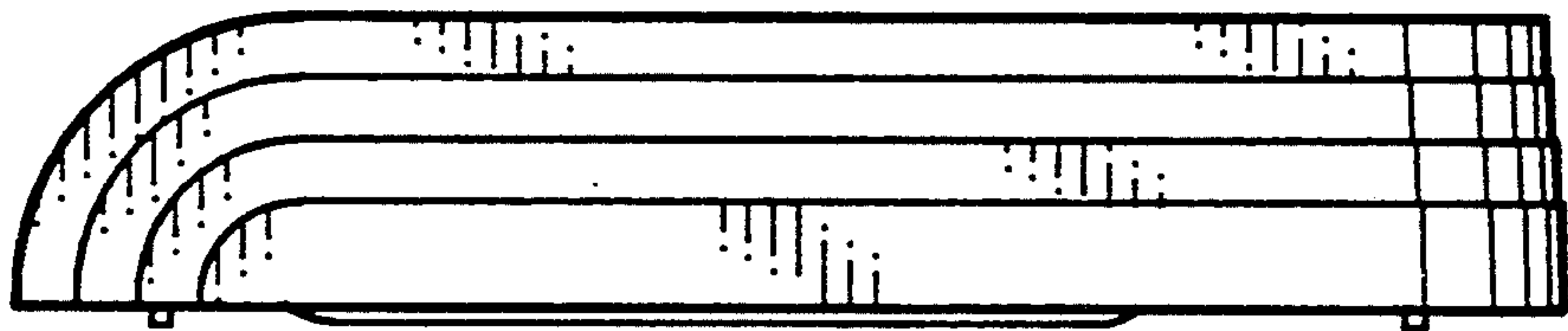


FIG 3

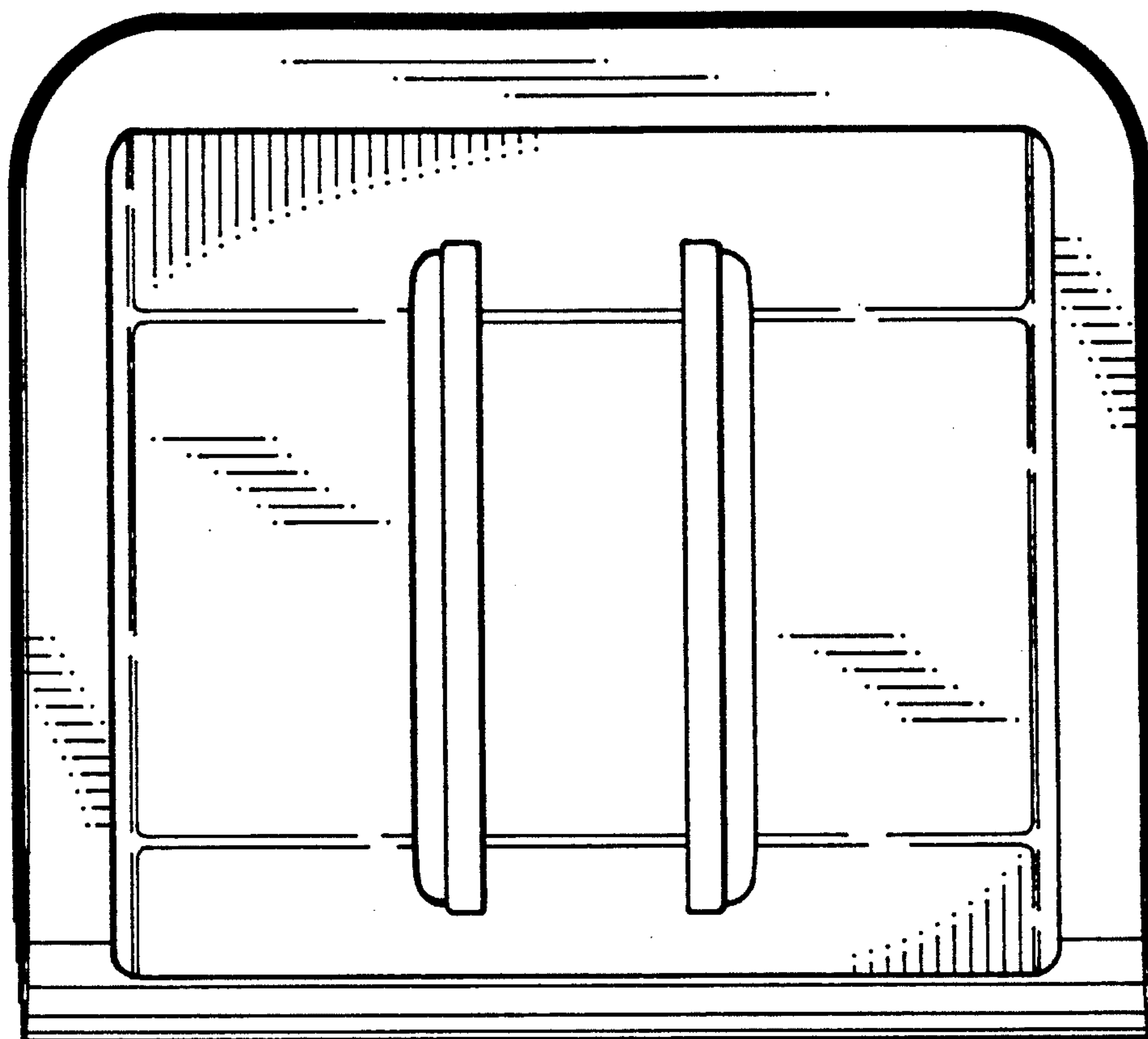


FIG 4

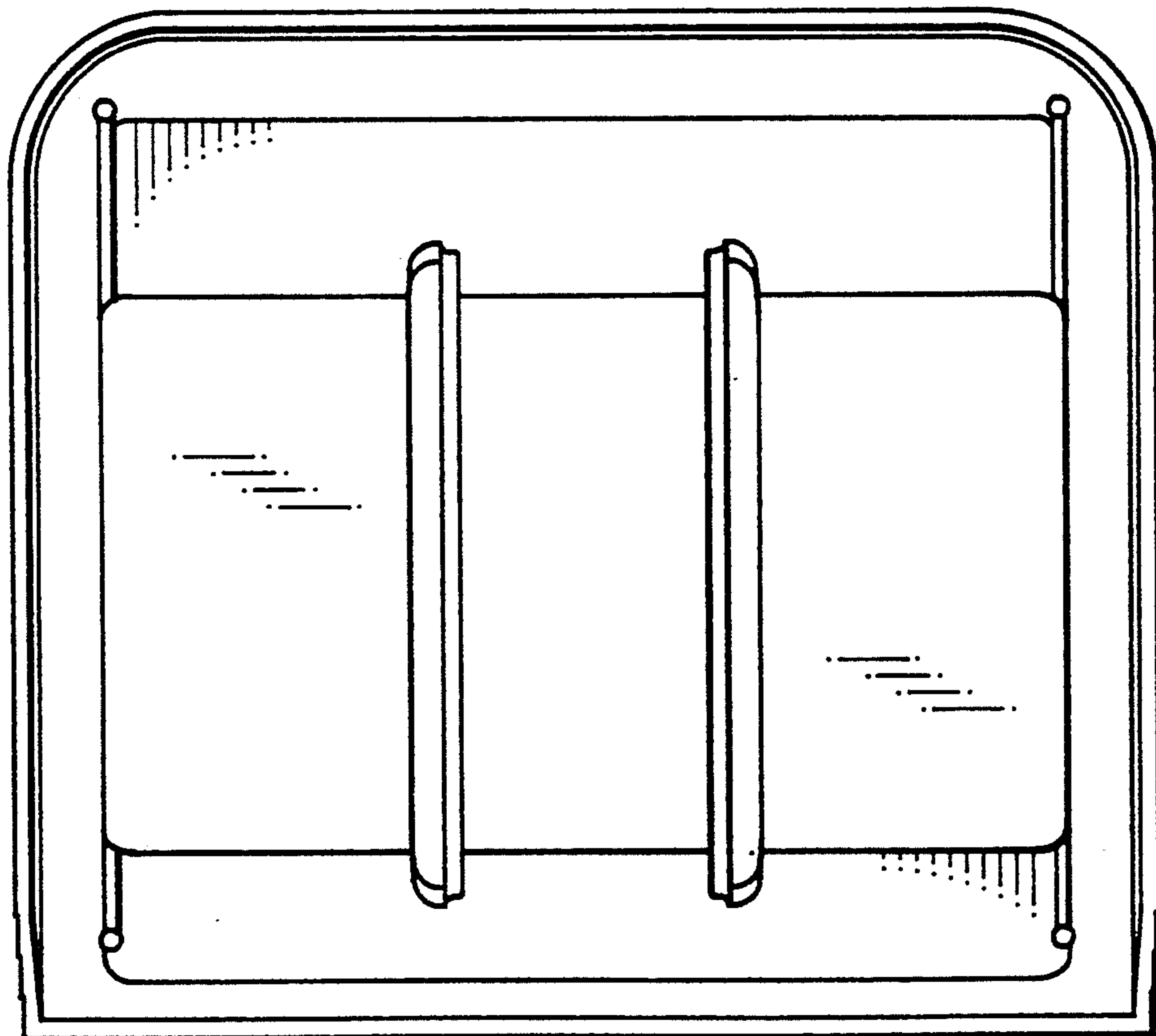


FIG 5

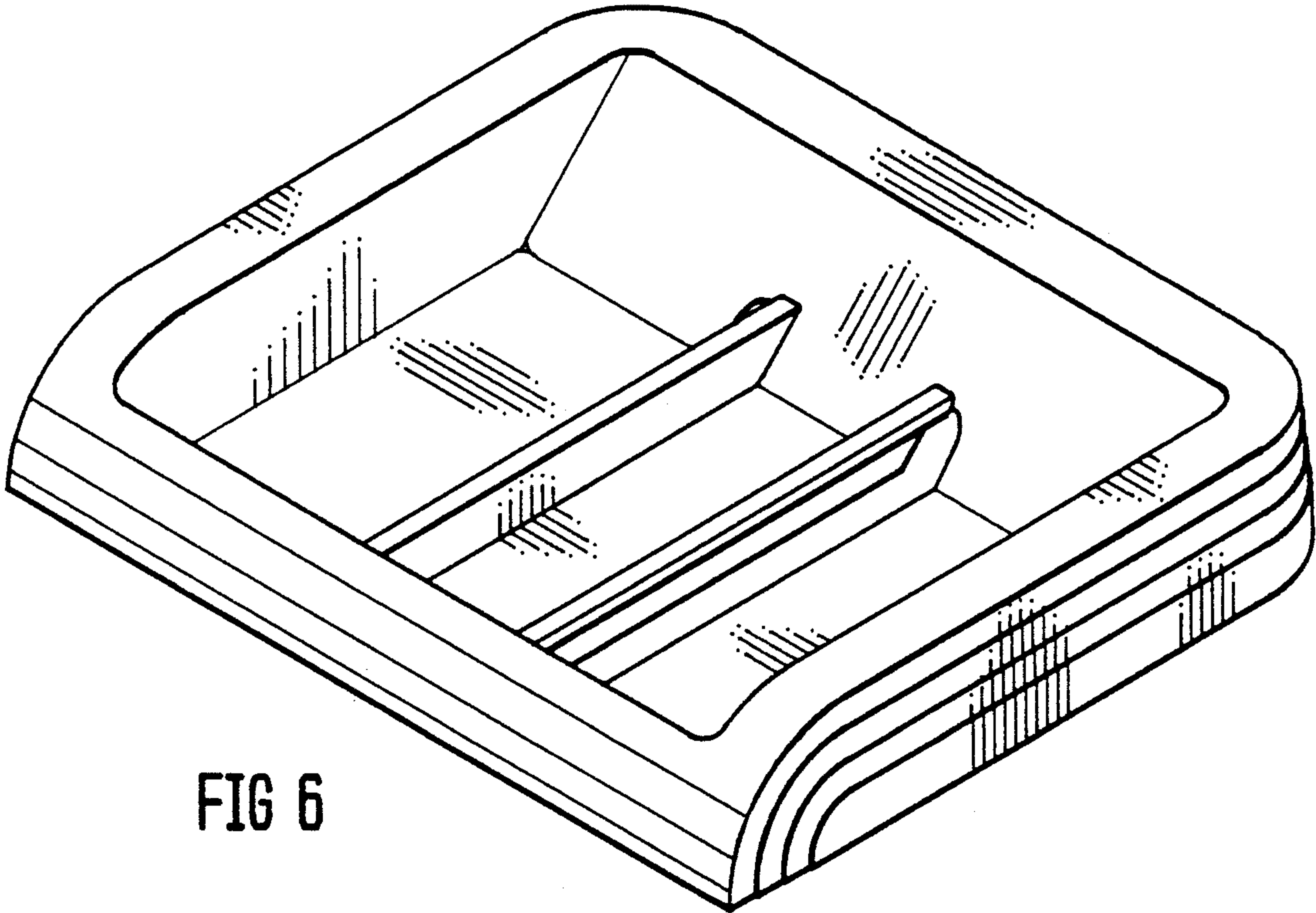


FIG 6