



US00D331423S

United States Patent [19]

[11] Patent Number: **Des. 331,423**

Brüssing

[45] Date of Patent: **** Dec. 1, 1992**

[54] **RECONFIGURABLE DESK SET**

[75] Inventor: **Bernd Brüssing, Ulm/Donau, Fed. Rep. of Germany**

[73] Assignee: **Hans Friedrich Hefendehl, Kierspe, Fed. Rep. of Germany**

4,176,743 12/1979 Fitzpatrick 211/69.5 X
 4,320,835 3/1982 Polhemus et al. 206/214 X
 4,406,368 9/1983 Hermes 211/69.1 X
 4,429,796 2/1984 Sussman 211/11
 4,570,793 2/1986 O'Neil et al. 211/11 X
 4,941,576 7/1990 Sugarman et al. 211/69.1 X

[**] Term: **14 Years**

FOREIGN PATENT DOCUMENTS

[21] Appl. No.: **727,148**

0256719 2/1988 European Pat. Off. 206/214

[22] Filed: **Jul. 9, 1991**

Primary Examiner—Nelson C. Holtje
Assistant Examiner—Martha Thompson
Attorney, Agent, or Firm—Herbert Dubno; Ronald Lianides

[30] Foreign Application Priority Data

Jan. 24, 1991 [DE] Fed. Rep. of Germany M9100591.4

[57] CLAIM

[52] U.S. Cl. **D19/75; D19/77; D19/78; D19/85; D19/90**

The ornamental design for a reconfigurable desk set, as shown and described.

[58] Field of Search D19/65, 75, 76, 77, D19/78, 81-85, 86, 90, 92, 95, 99, 100; 206/214, 224, 371; 211/10, 11, 13, 69.1-69.9, 126

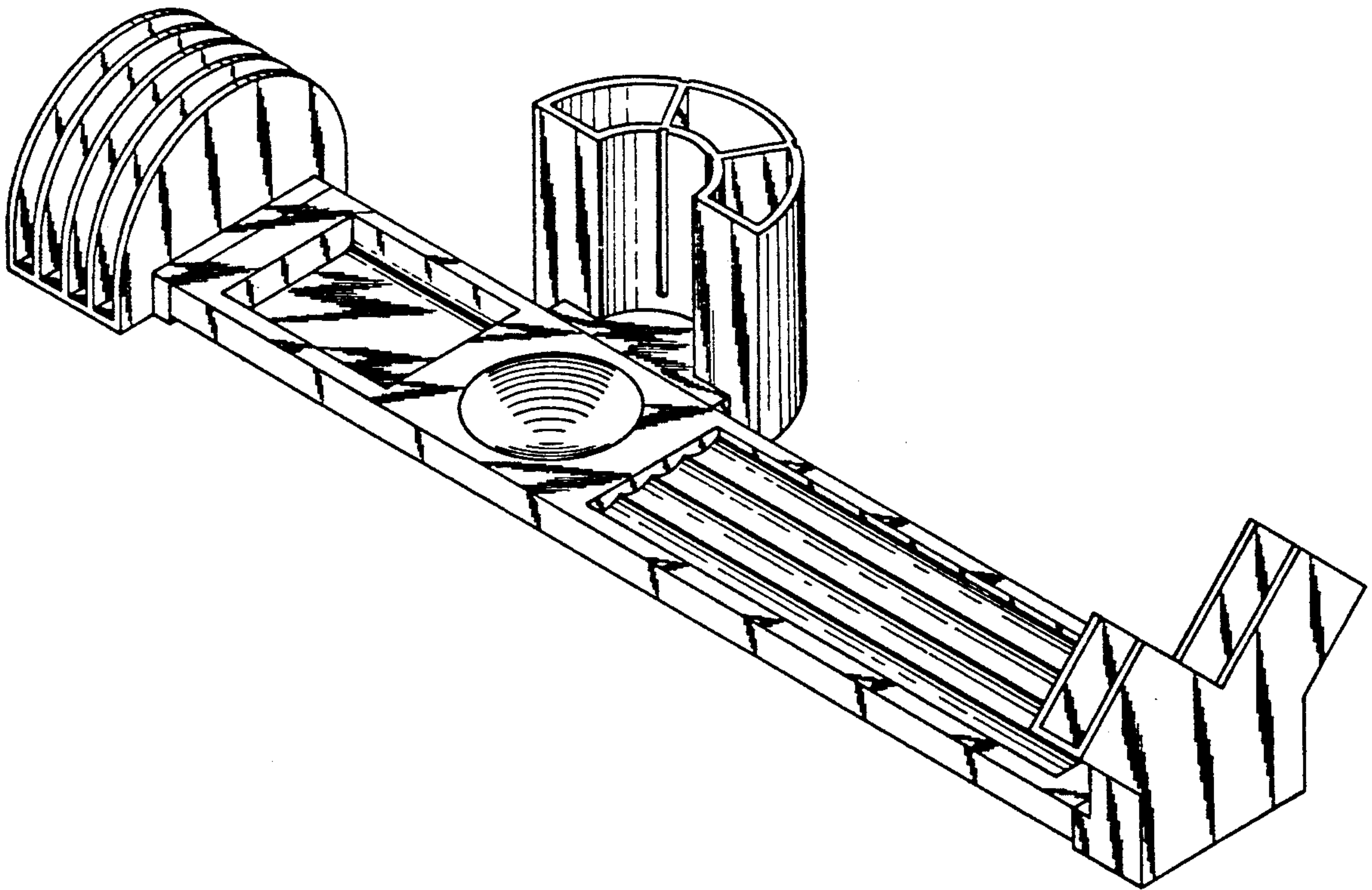
DESCRIPTION

[56] References Cited

U.S. PATENT DOCUMENTS

D. 266,675 10/1982 Polhemus et al. D19/77 X
 D. 270,256 8/1983 Sankey D19/92 X
 D. 323,190 1/1992 Evenson D19/90
 D. 327,092 6/1992 Evenson D19/76 X

FIG. 1 is a top, right front perspective view of a reconfigurable desk set showing my new design;
 FIG. 2 is a bottom, left rear perspective view thereof;
 FIG. 3 is a top, right front perspective view with the vertical holders in an alternate position;
 FIG. 4 is a top, right front perspective view with the vertical holders in a second alternate position; and,
 FIG. 5 is a top, right front perspective view with the vertical holders in a third alternate position.



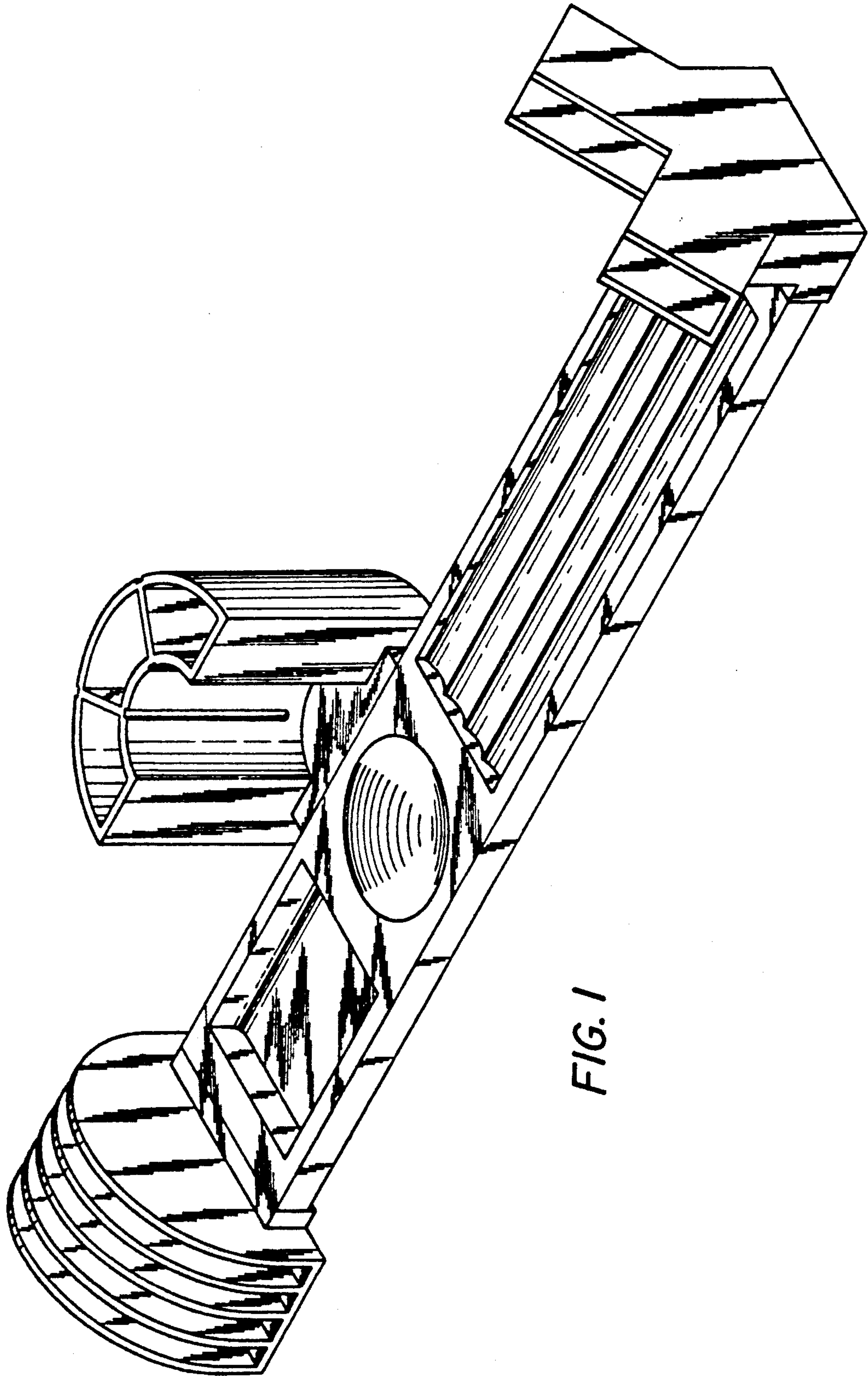


FIG. 1

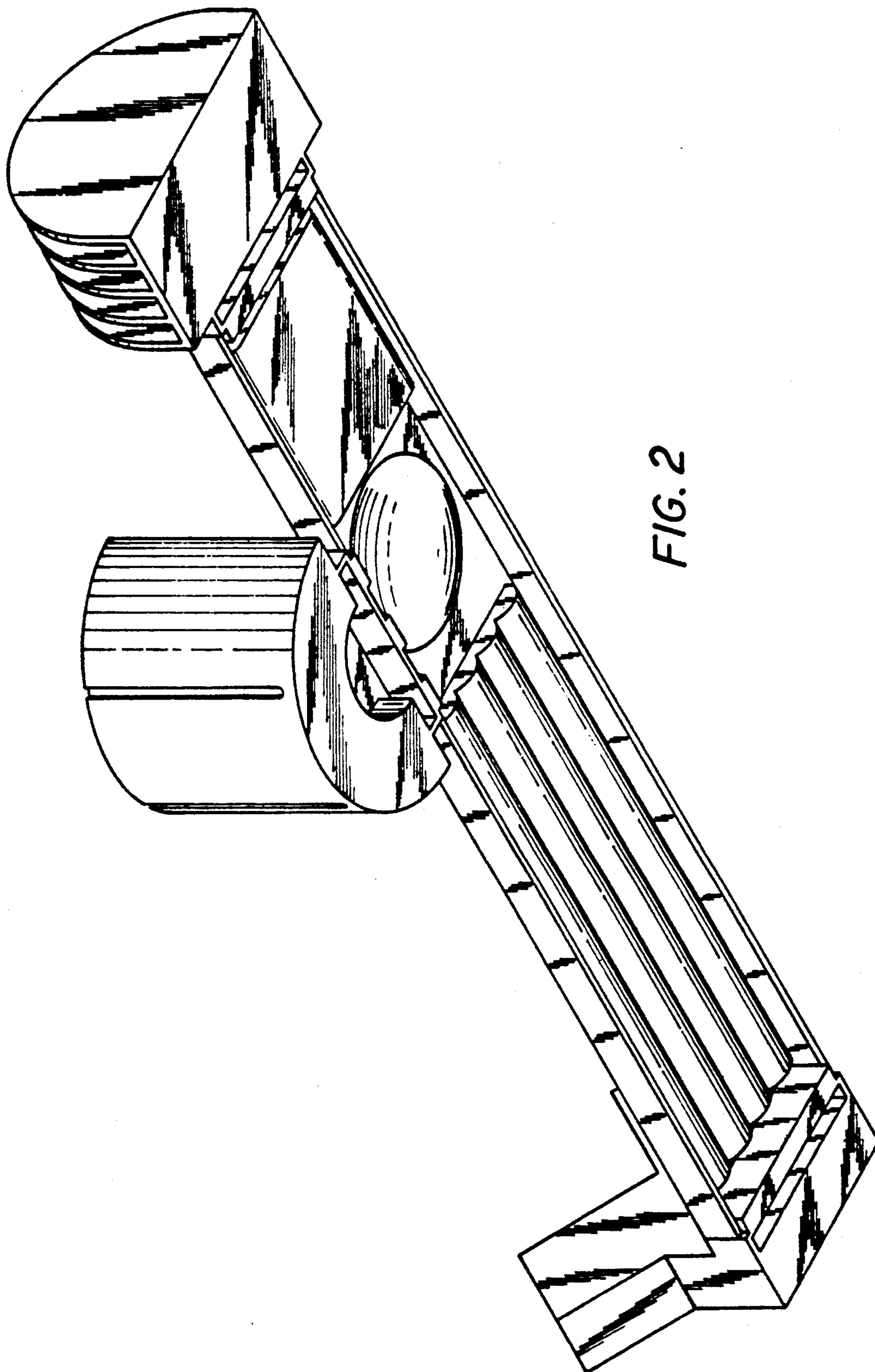


FIG. 2

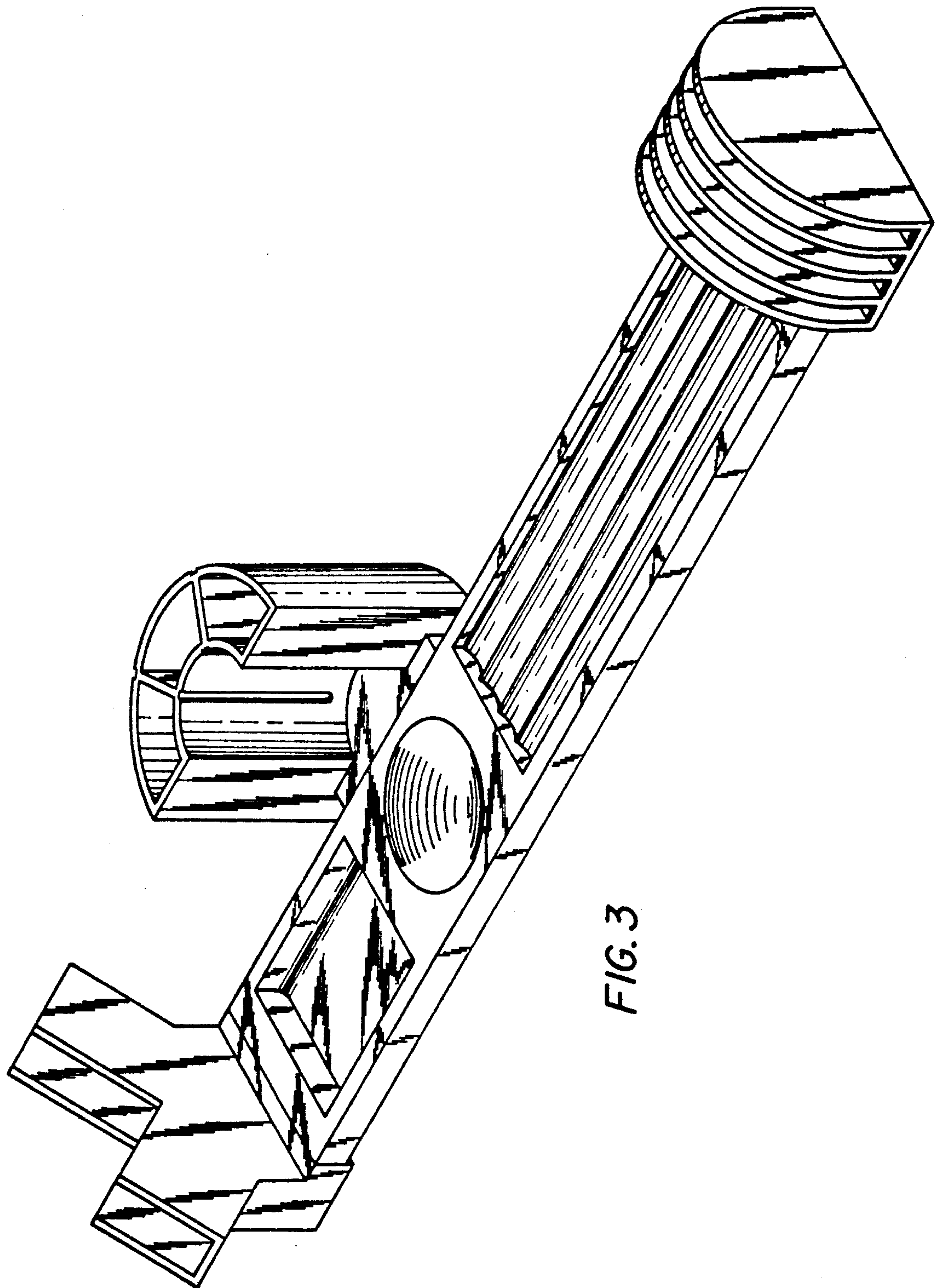


FIG. 3

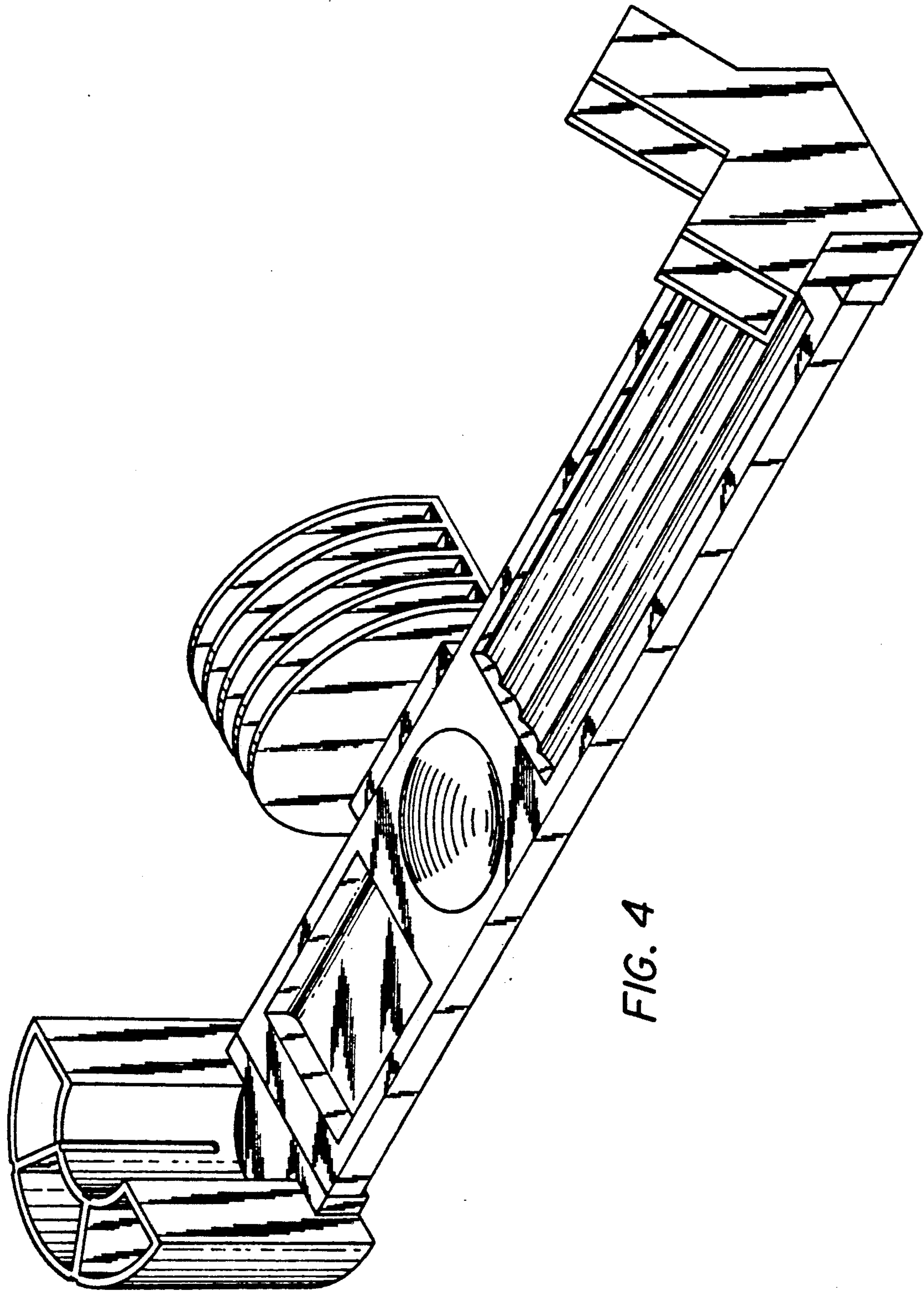


FIG. 4

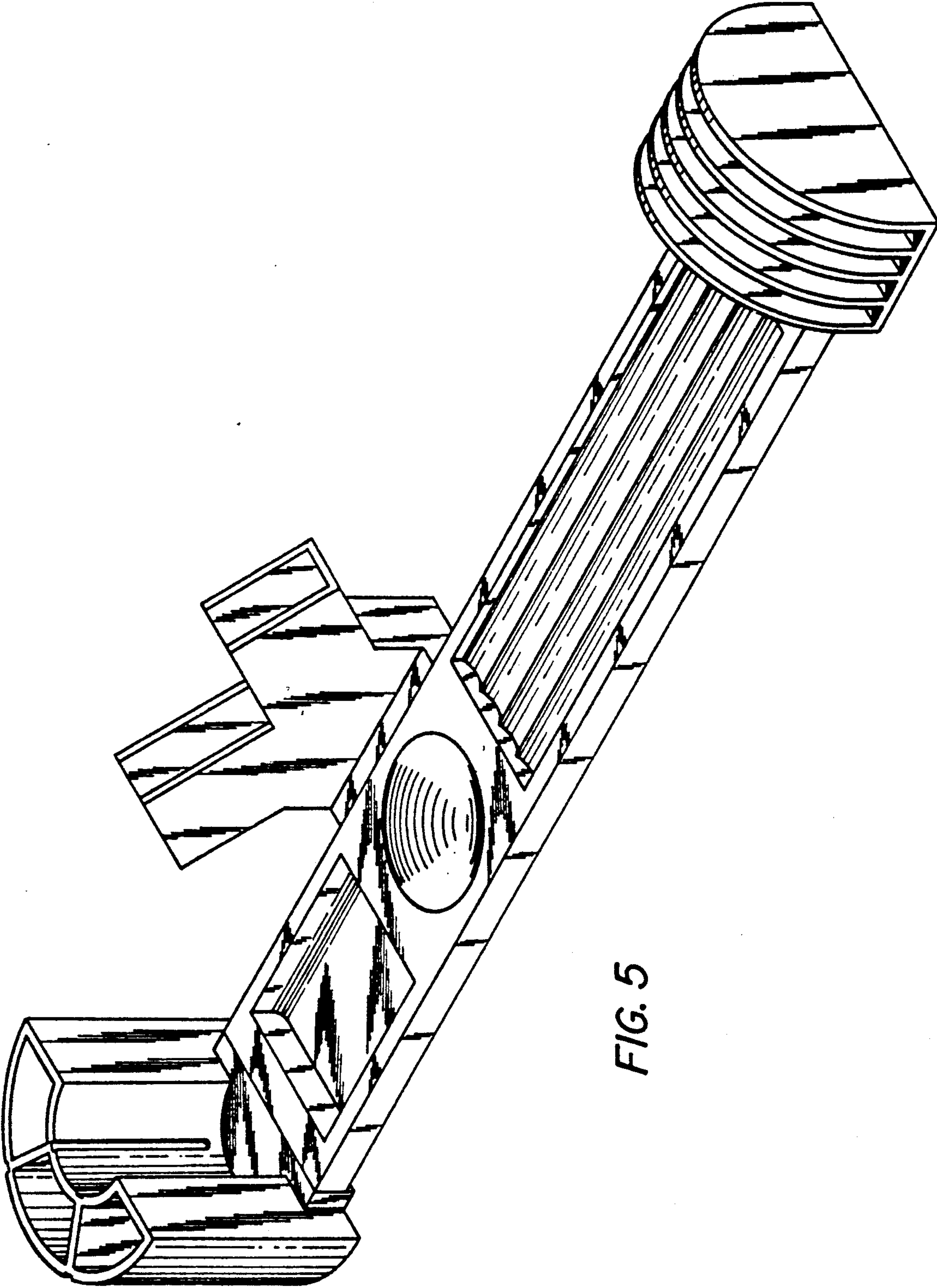


FIG. 5