



US00D331420S

# United States Patent [19]

[11] Patent Number: **Des. 331,420**

Etoh et al.

[45] Date of Patent: **\*\* Dec. 1, 1992**

## [54] COMPUTER OUTPUT PRINTER

[75] Inventors: **Masayoshi Etoh; Yukio Terauchi,**  
both of Tokyo, Japan

[73] Assignee: **NEC Corporation,** Tokyo, Japan

[\*\*] Term: **14 Years**

[21] Appl. No.: **537,543**

[22] Filed: **Jun. 13, 1990**

### [30] Foreign Application Priority Data

Dec. 18, 1989 [JP] Japan ..... 1-46214

[52] U.S. Cl. .... **D18/55**

[58] Field of Search ..... D18/5, 6, 11, 12, 50,  
D18/54-55; 400/691-694, 613, 613.1-613.4,  
624; 101/93; 346/145

### [56] References Cited

#### U.S. PATENT DOCUMENTS

D. 266,424	10/1982	Nagaya .....	D18/54
D. 278,714	5/1985	Maruyama .....	D18/54
D. 284,378	6/1986	Nakade .....	D18/54
D. 287,595	1/1987	Kato et al. ....	D18/54
D. 287,727	1/1987	Kurihara .....	D18/54
D. 297,844	9/1988	Sugimoto .....	D18/54

### OTHER PUBLICATIONS

NEC Information Systems, Inc., Nov. 1988; Pinwriter P5200/P530.

NEC Information Systems, Inc.; Feb. 1985; Spinwriter e.l.f. letter quality printer.

*Primary Examiner*—A. Hugo Word

*Assistant Examiner*—Cathy Anne MacCormac

*Attorney, Agent, or Firm*—Sughrue, Mion, Zinn, Macpeak & Seas

### [57] CLAIM

The ornamental design for a computer output printer, as shown.

### DESCRIPTION

FIG. 1 is a front elevational view of a computer output printer showing our new design;

FIG. 2 is a top plan view thereof;

FIG. 3 is a rear elevational view thereof;

FIG. 4 is a right side elevational view thereof;

FIG. 5 is a left side elevational view thereof;

FIG. 6 is a bottom plan view thereof; and,

FIG. 7 is a front, top and right side perspective view thereof.

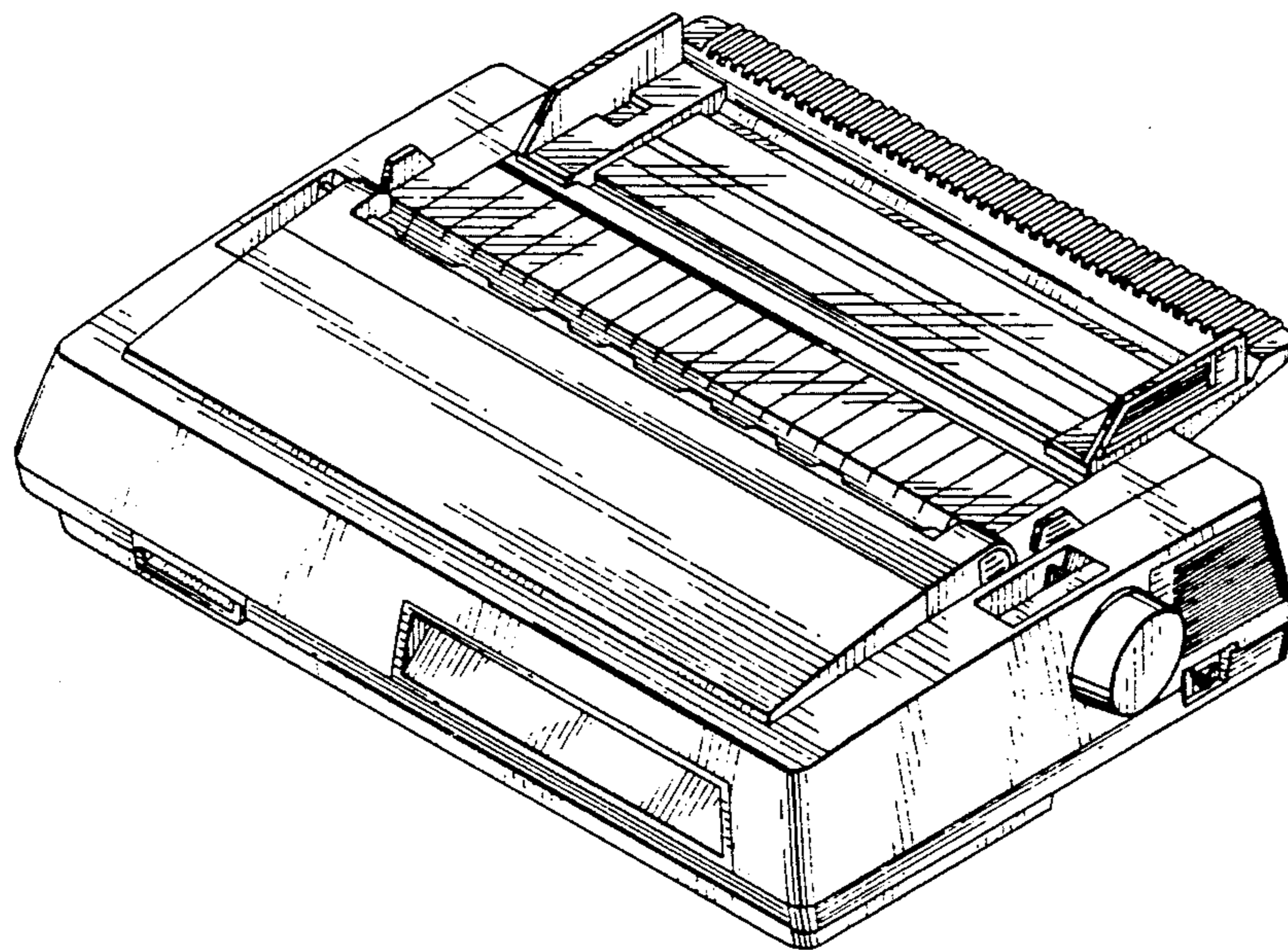
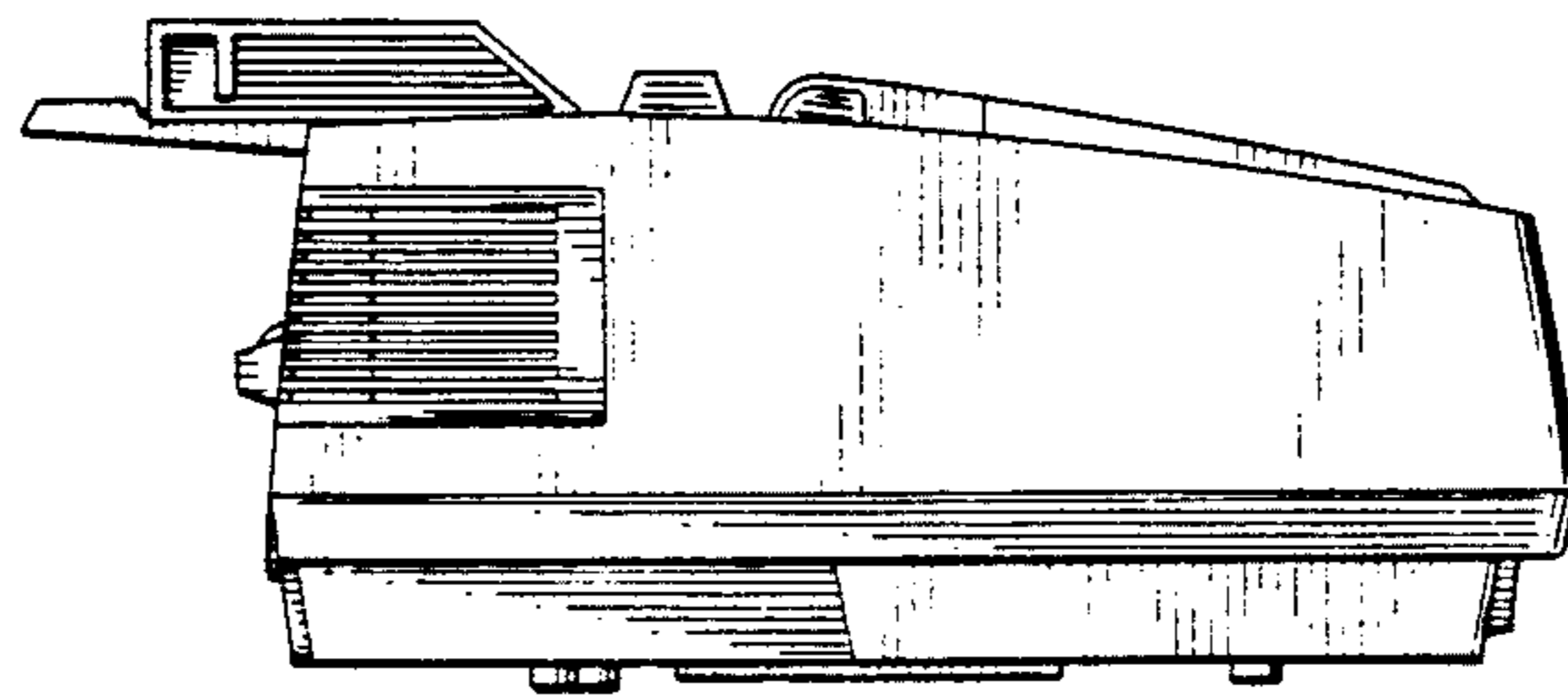


FIG. 1

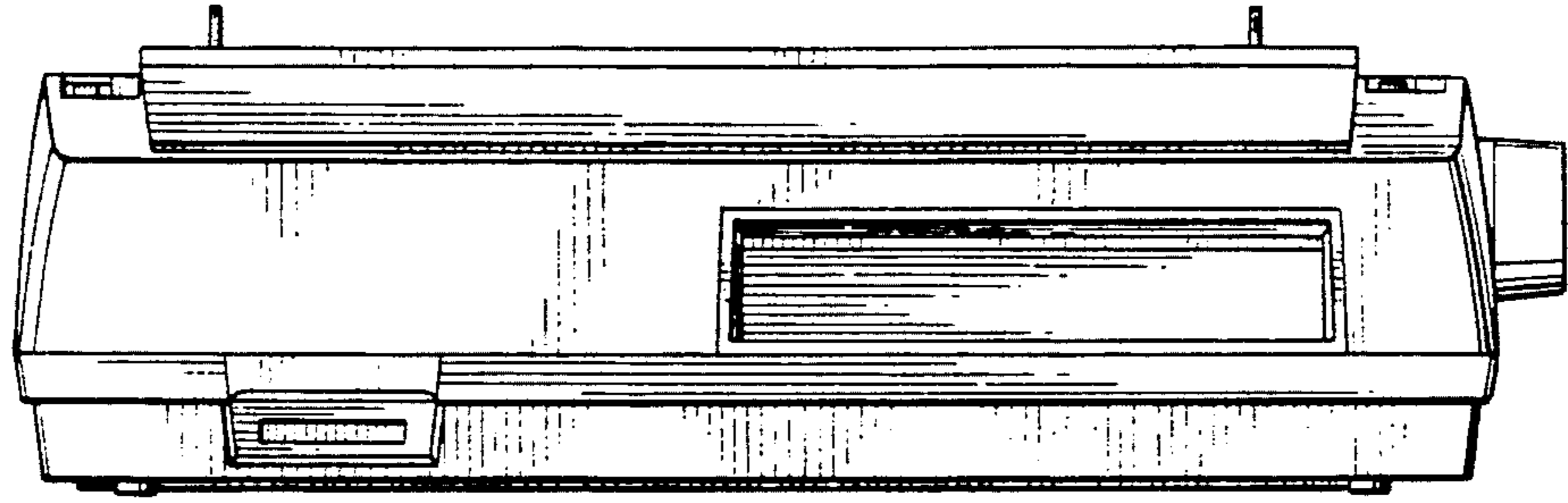


FIG. 2

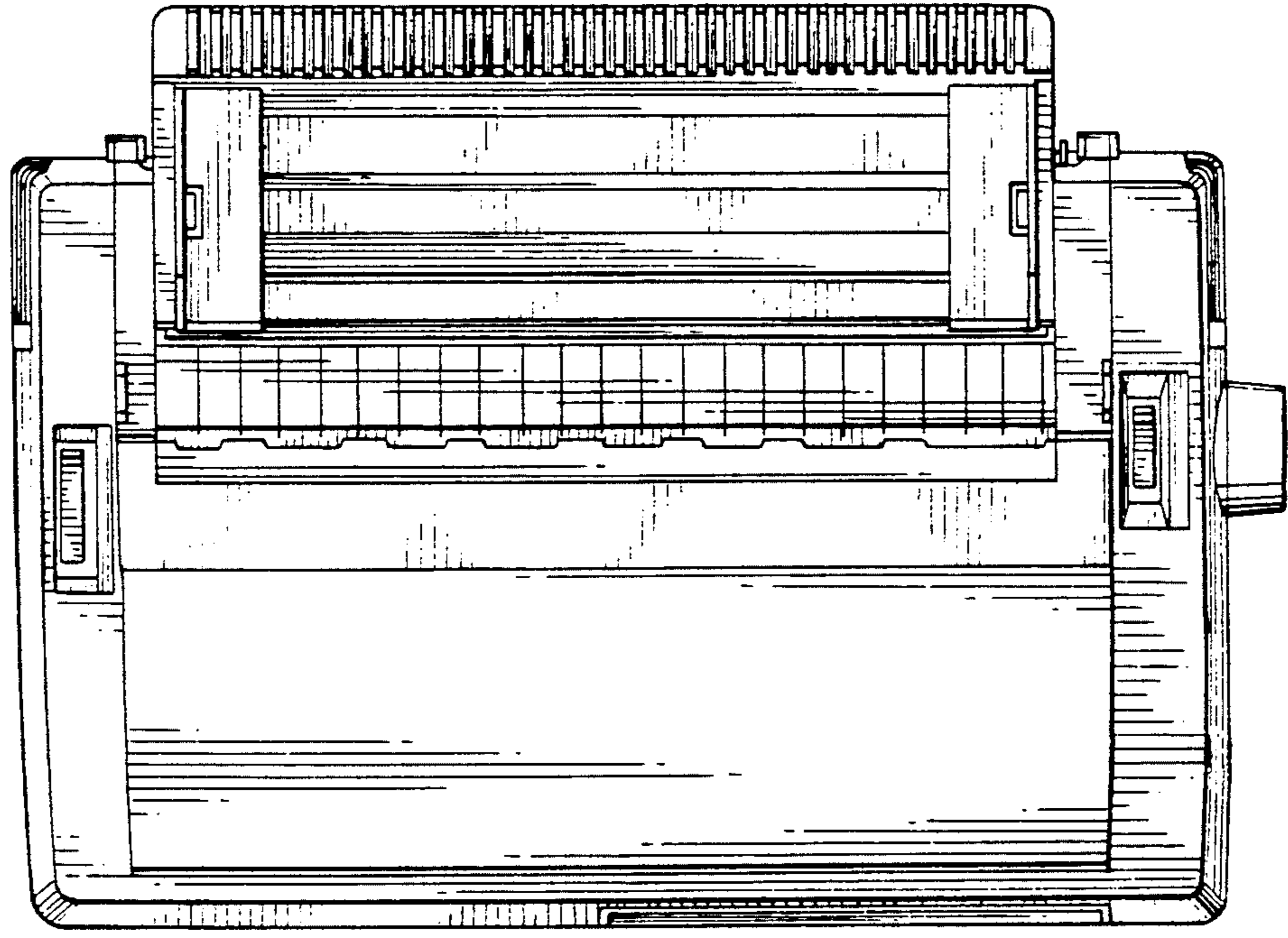


FIG. 3

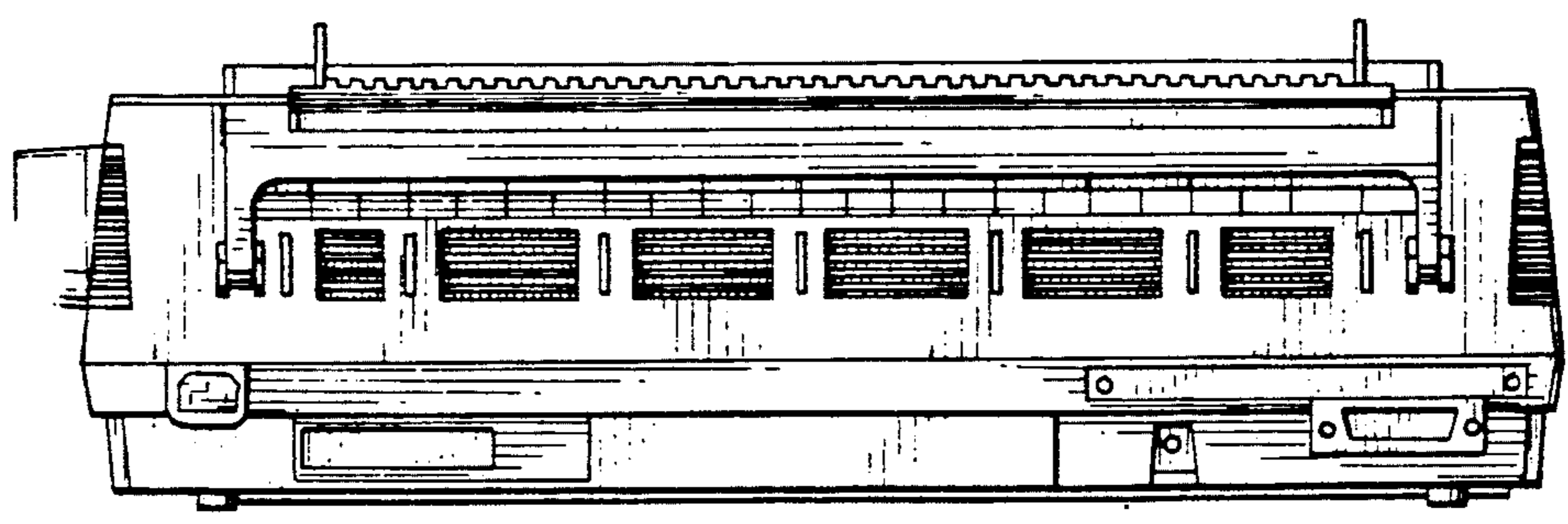


FIG. 4

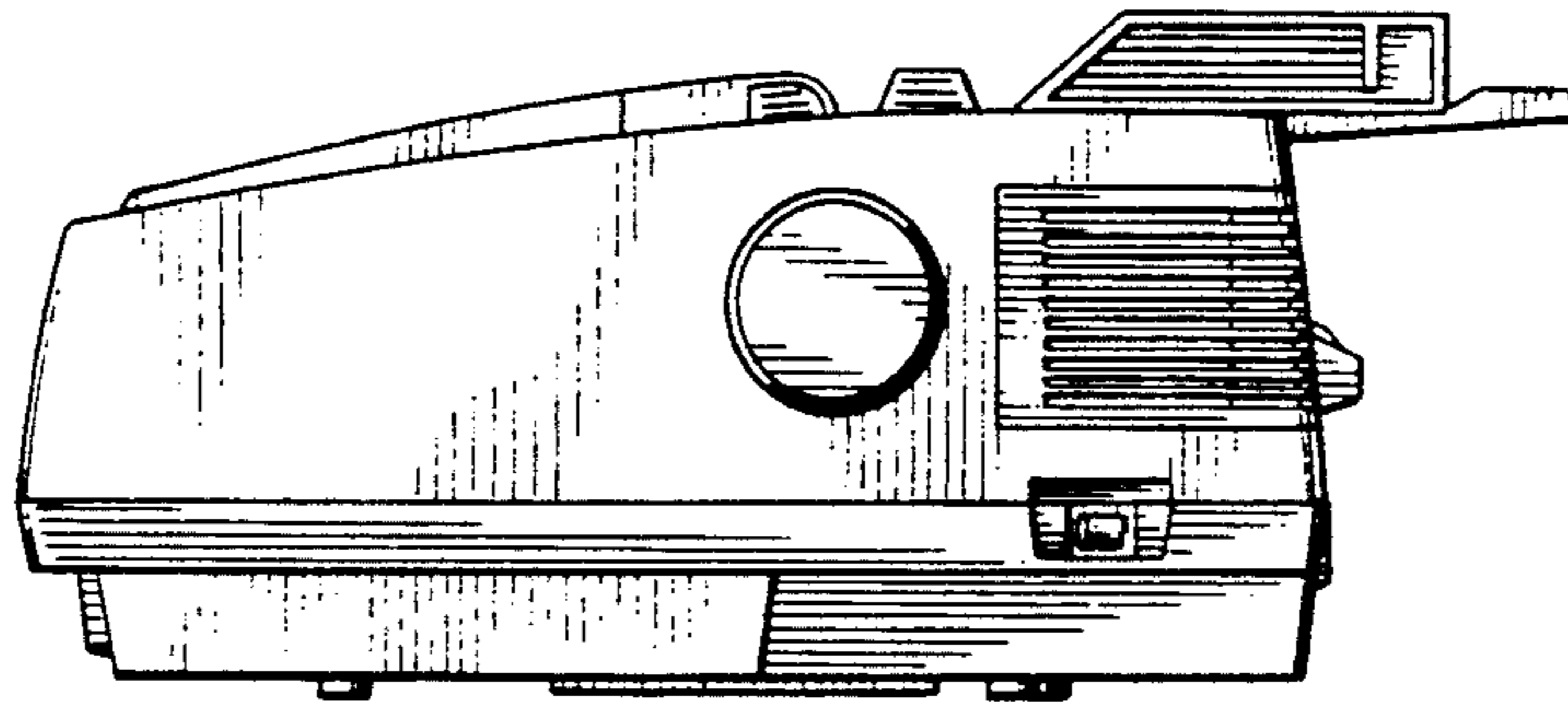


FIG. 5

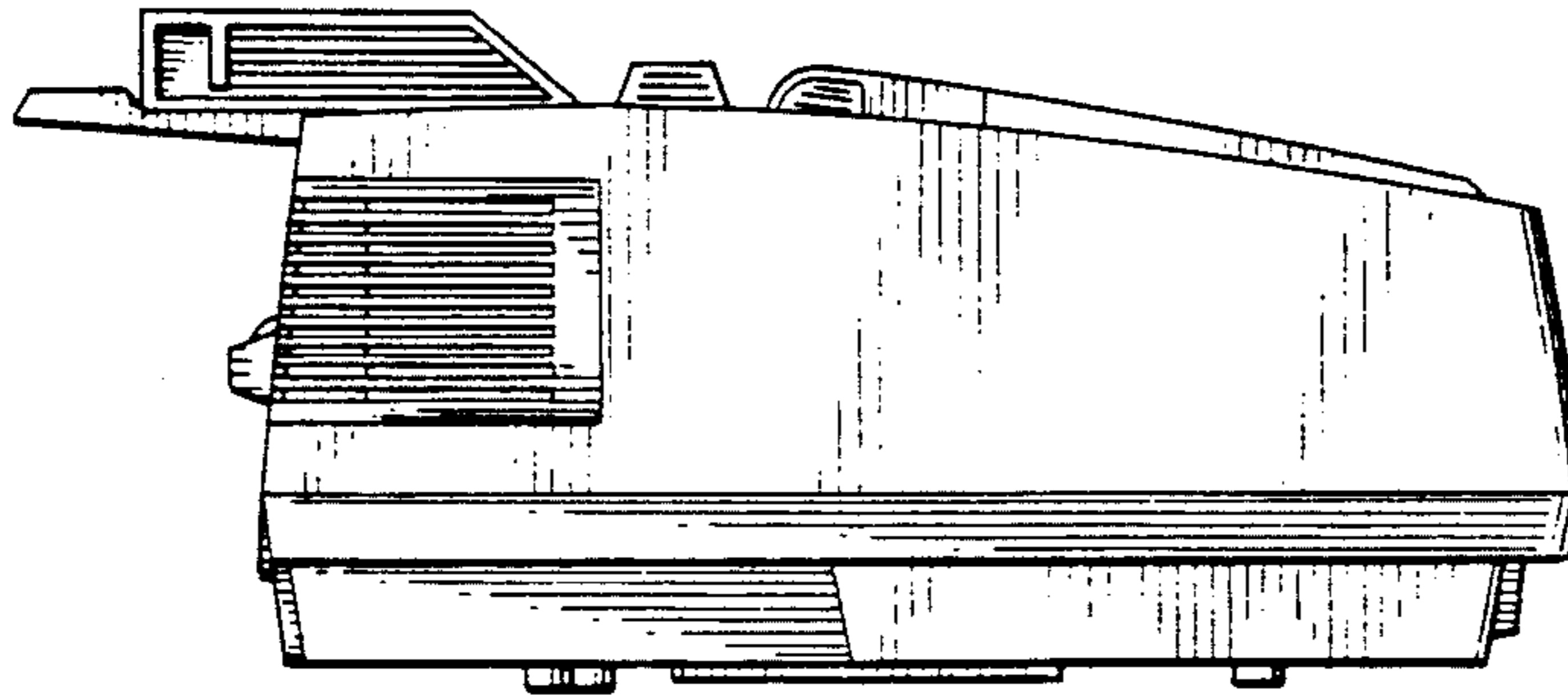
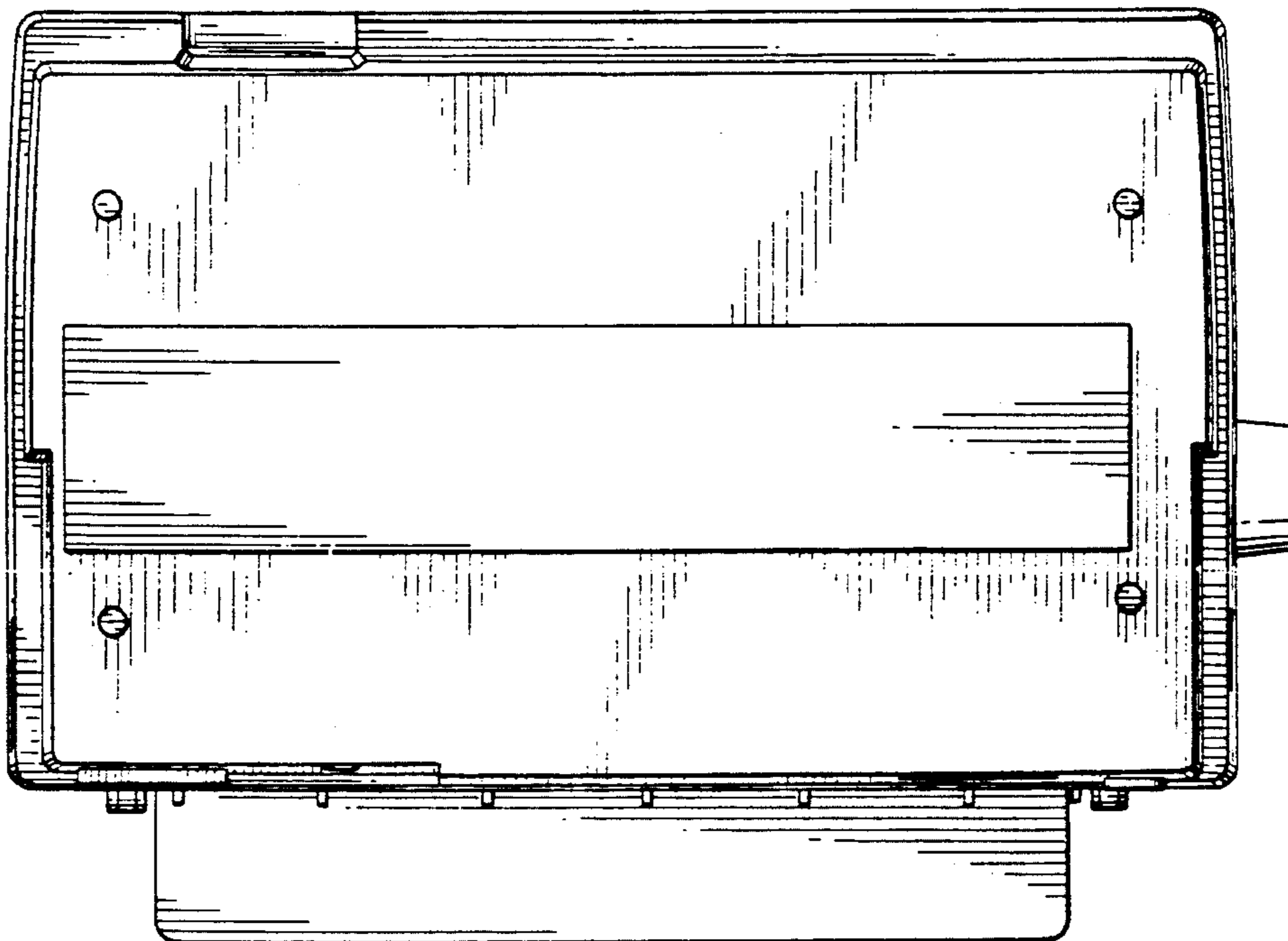


FIG. 6



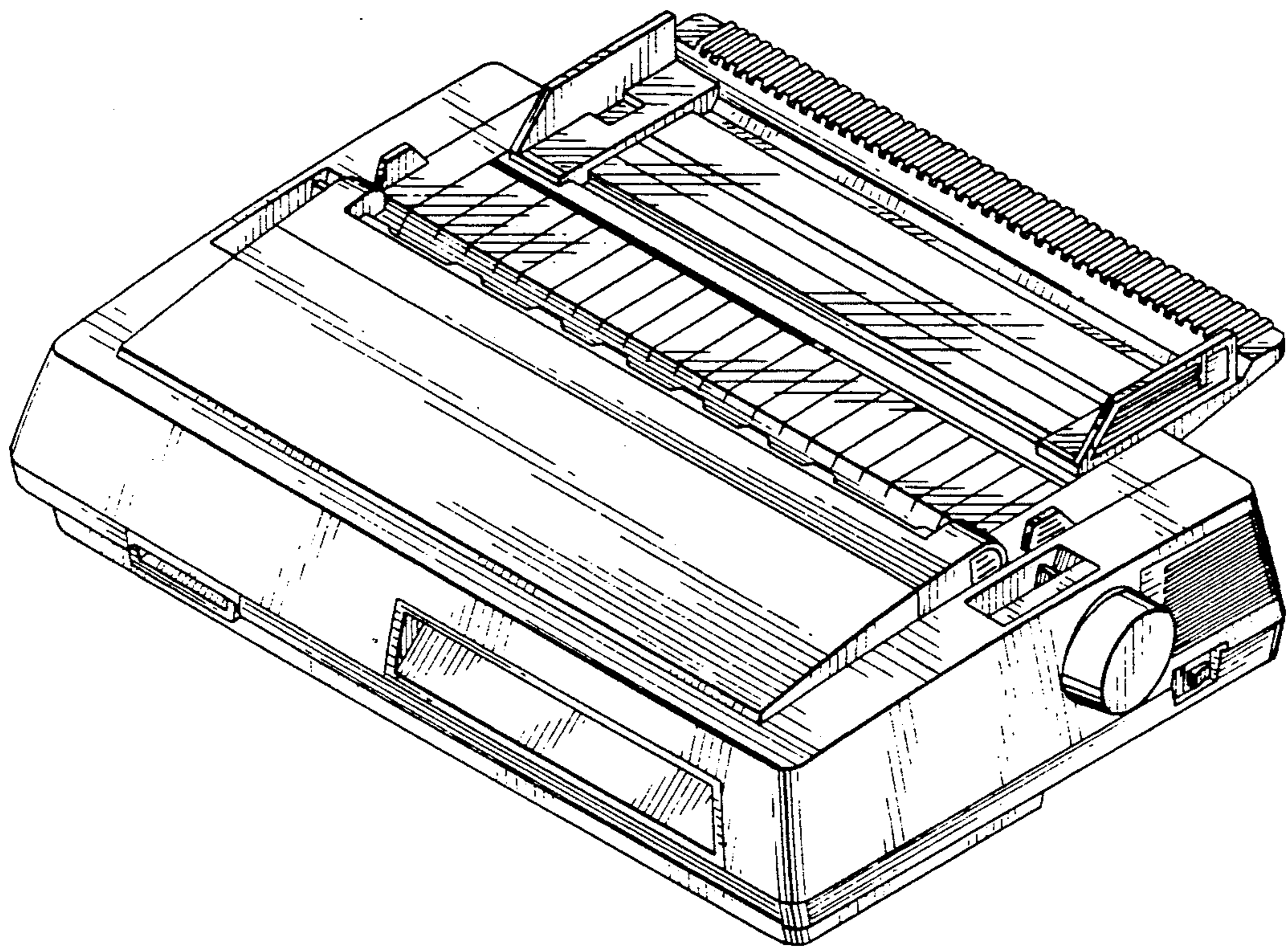


FIG. 7