



US00D331418S

United States Patent [19]

[11] Patent Number: **Des. 331,418**

Winston

[45] Date of Patent: **** Dec. 1, 1992**

[54] COMBINED STAMP PAD AND CONTAINER

[76] Inventor: **Jeffrey M. Winston, 658 W. Shore Dr., Anacortes, Wash. 98221**

[**] Term: **14 Years**

[21] Appl. No.: **620,304**

[22] Filed: **Nov. 30, 1990**

[52] U.S. Cl. **D18/15**

[58] Field of Search **D18/14-19;**
D19/75; 40/328; 101/405, 327, 368, 379, 333;
401/195, 196, 199, 207, 23, 25, 201, 262, 140,
202; 118/264, 270

[56] References Cited

U.S. PATENT DOCUMENTS

D. 247,063	1/1978	Funahashi	D18/17
D. 252,935	9/1979	Henkils	D19/75
848,063	3/1907	Sommer	118/264
1,173,092	2/1916	Bickerton	118/270
1,463,718	7/1923	Munson	118/264
1,796,137	3/1931	Baumgarten	118/264
2,117,470	5/1938	Zareko	118/264
2,290,488	7/1942	Munson	118/264
2,723,476	11/1955	Lyon	118/264
3,326,180	6/1967	Lofgren	118/264
4,986,175	1/1991	Boehringer	101/405

FOREIGN PATENT DOCUMENTS

4940 of 1896 United Kingdom 118/264
2045687 11/1980 United Kingdom 101/405

Primary Examiner—Louis S. Zarfes
Assistant Examiner—Cathy Anne MacCormac
Attorney, Agent, or Firm—Hughes & Multer

[57] CLAIM

The ornamental design for a combined stamp pad and container, as shown and described.

DESCRIPTION

FIG. 1 is a perspective view of a combined stamp pad and container showing my new design;
FIG. 2 is a top plan view thereof;
FIG. 3 is a side elevational view thereof, the opposite side being identical;
FIG. 4 is an end elevational view thereof, the opposite end being identical;
FIG. 5 is a bottom plan view thereof;
FIG. 6 is a perspective view of a second embodiment of FIG. 1;
FIG. 7 is a top plan view of FIG. 6;
FIG. 8 is a side elevational view of FIG. 6, the opposite side being identical;
FIG. 9 is an end elevational view of FIG. 6, the opposite end being identical; and,
FIG. 10 is a bottom plan view of FIG. 6.

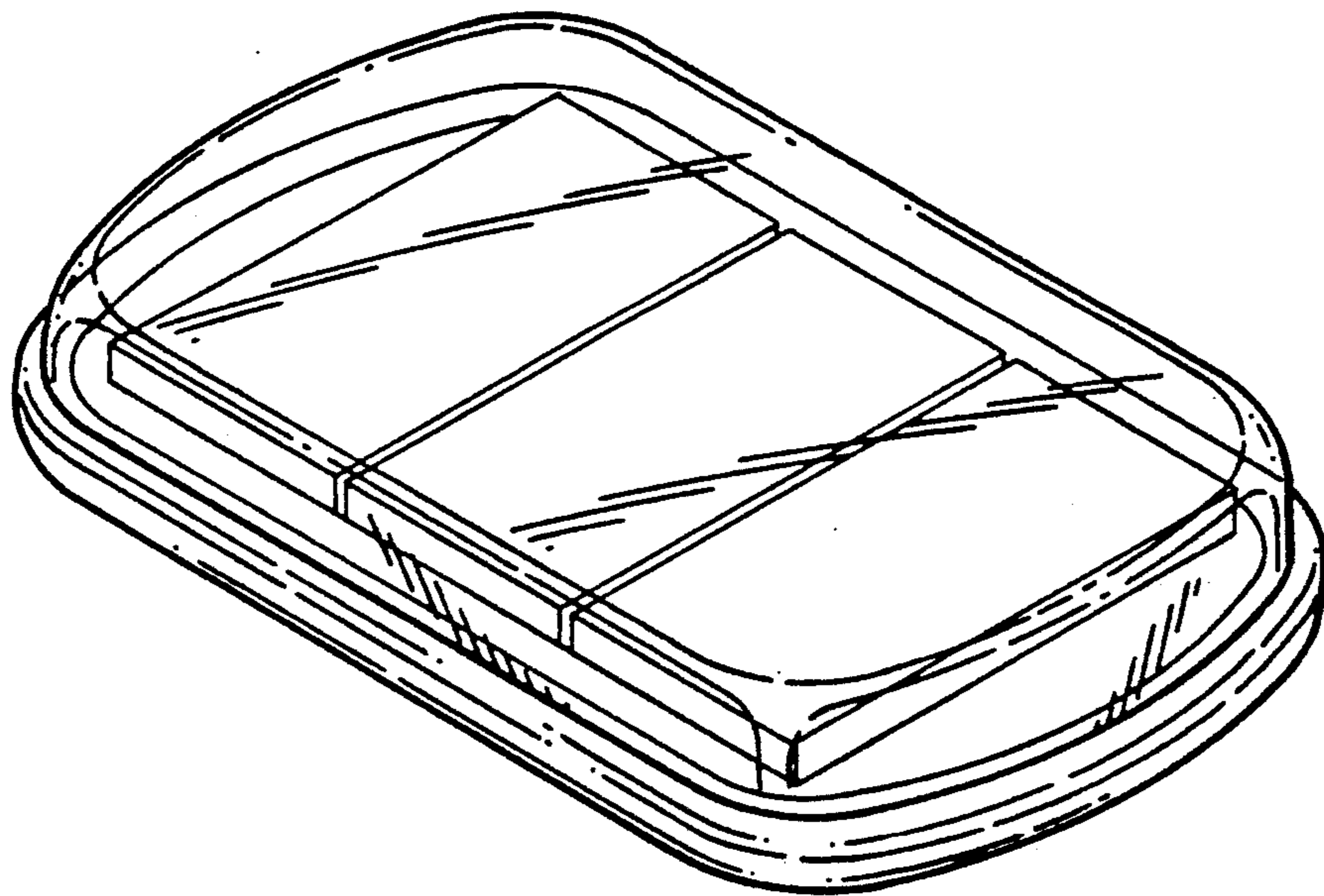


FIG. 1

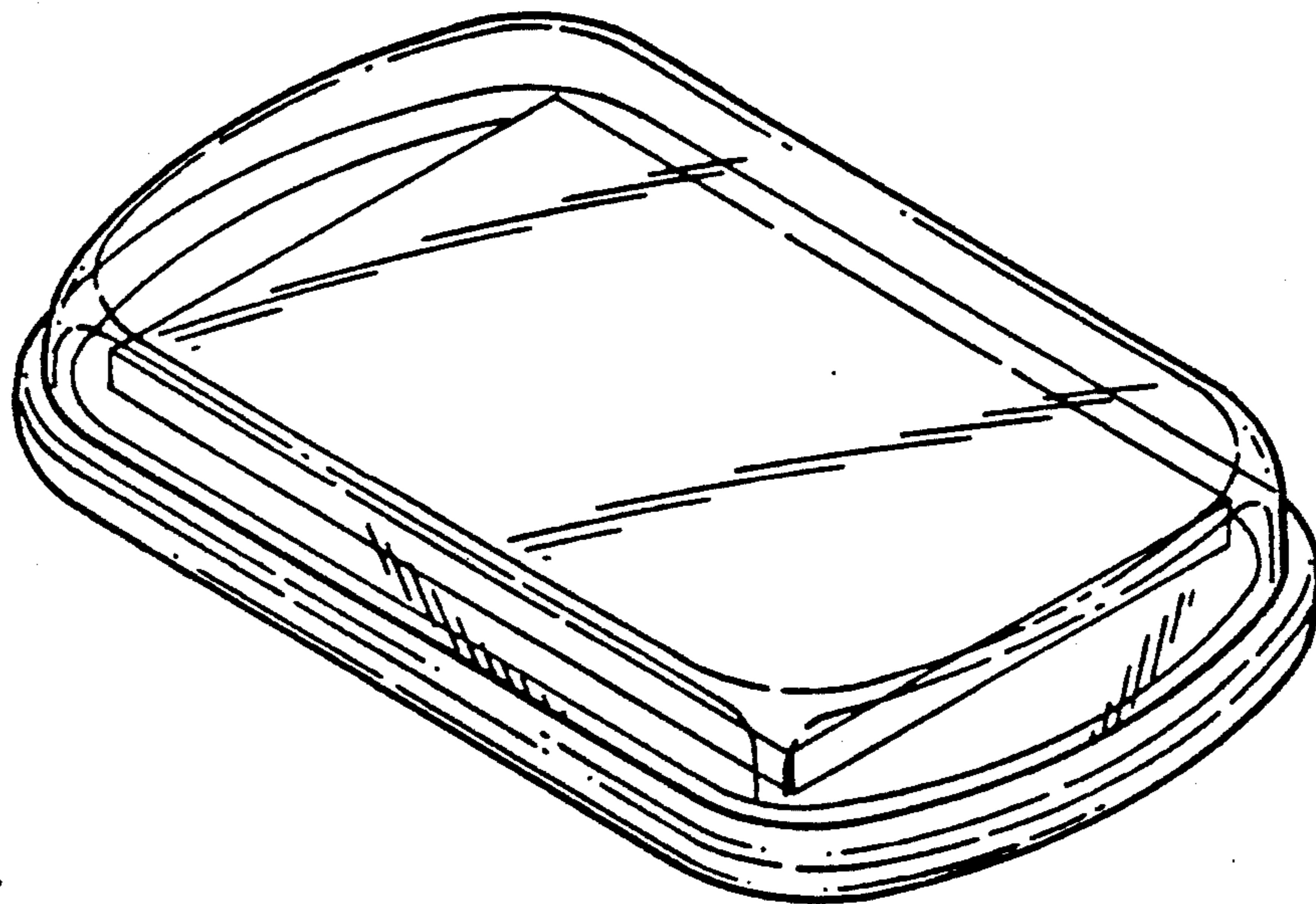


FIG. 2

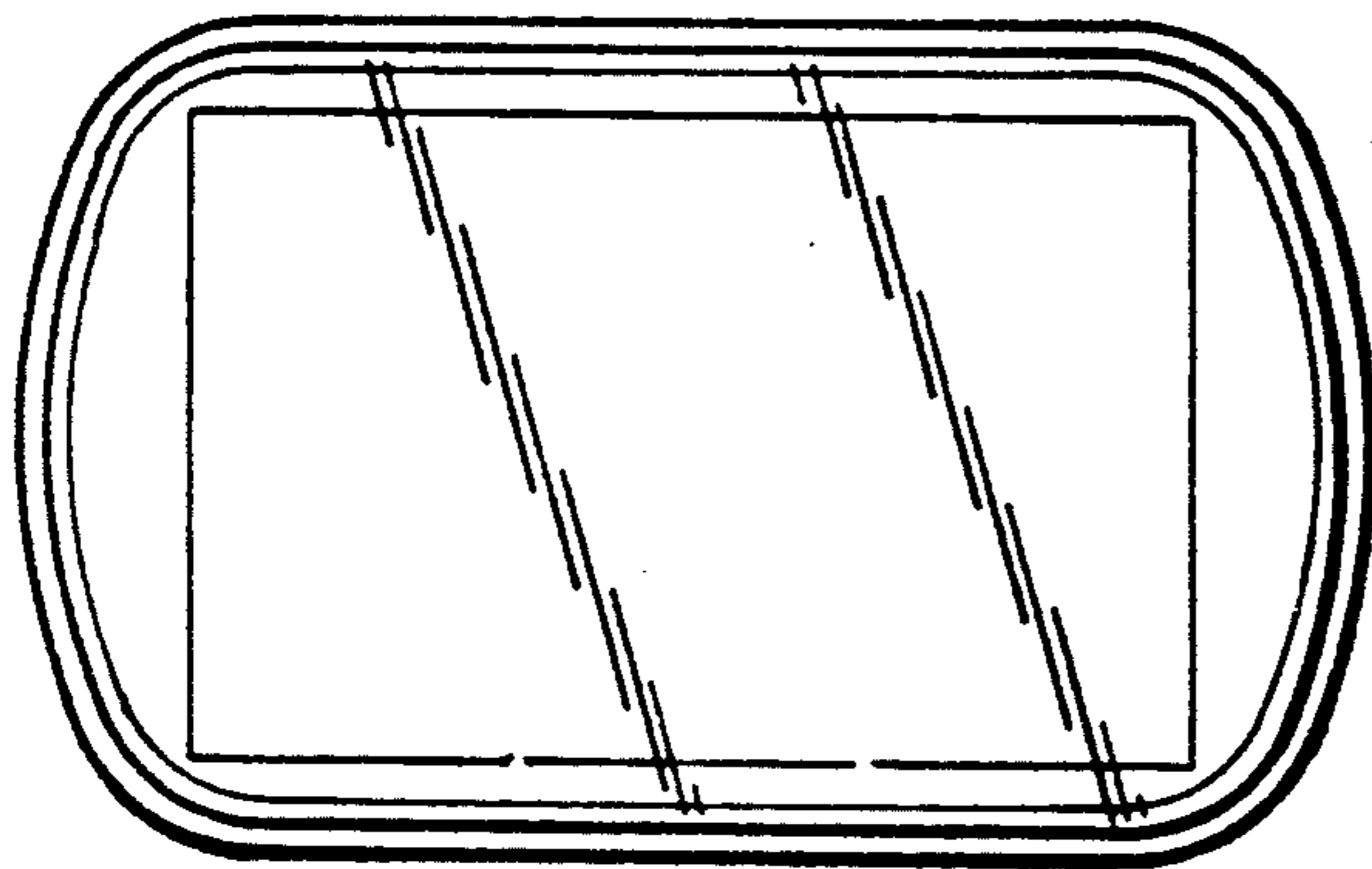


FIG. 3

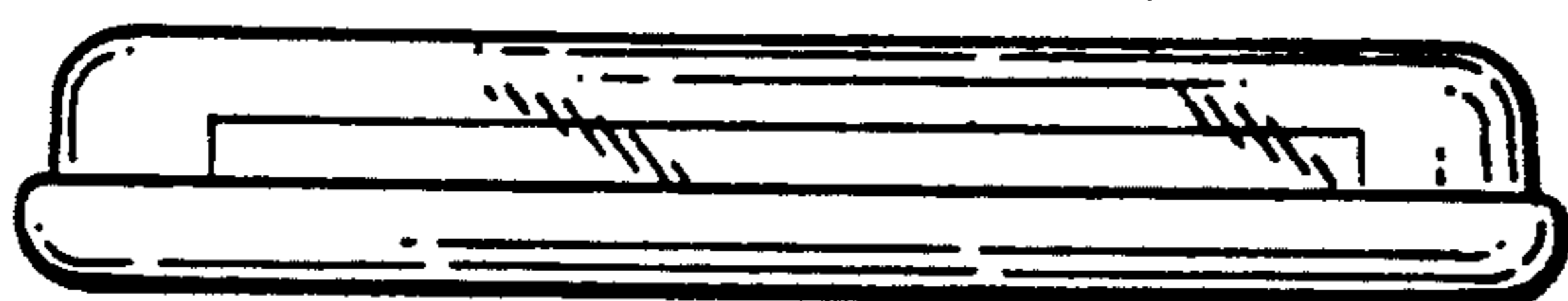


FIG. 4

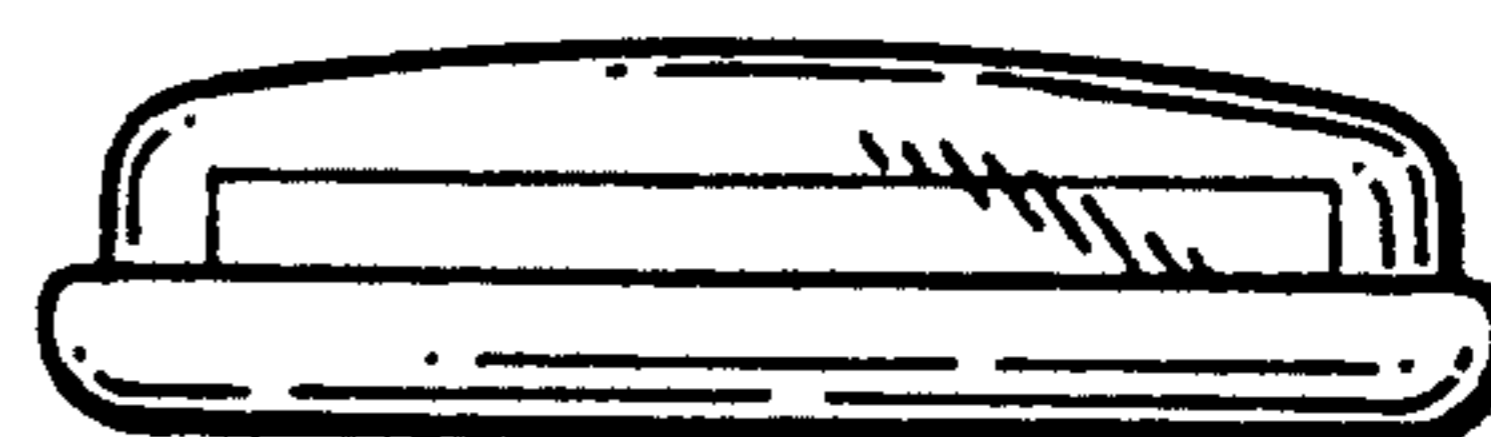


FIG. 5

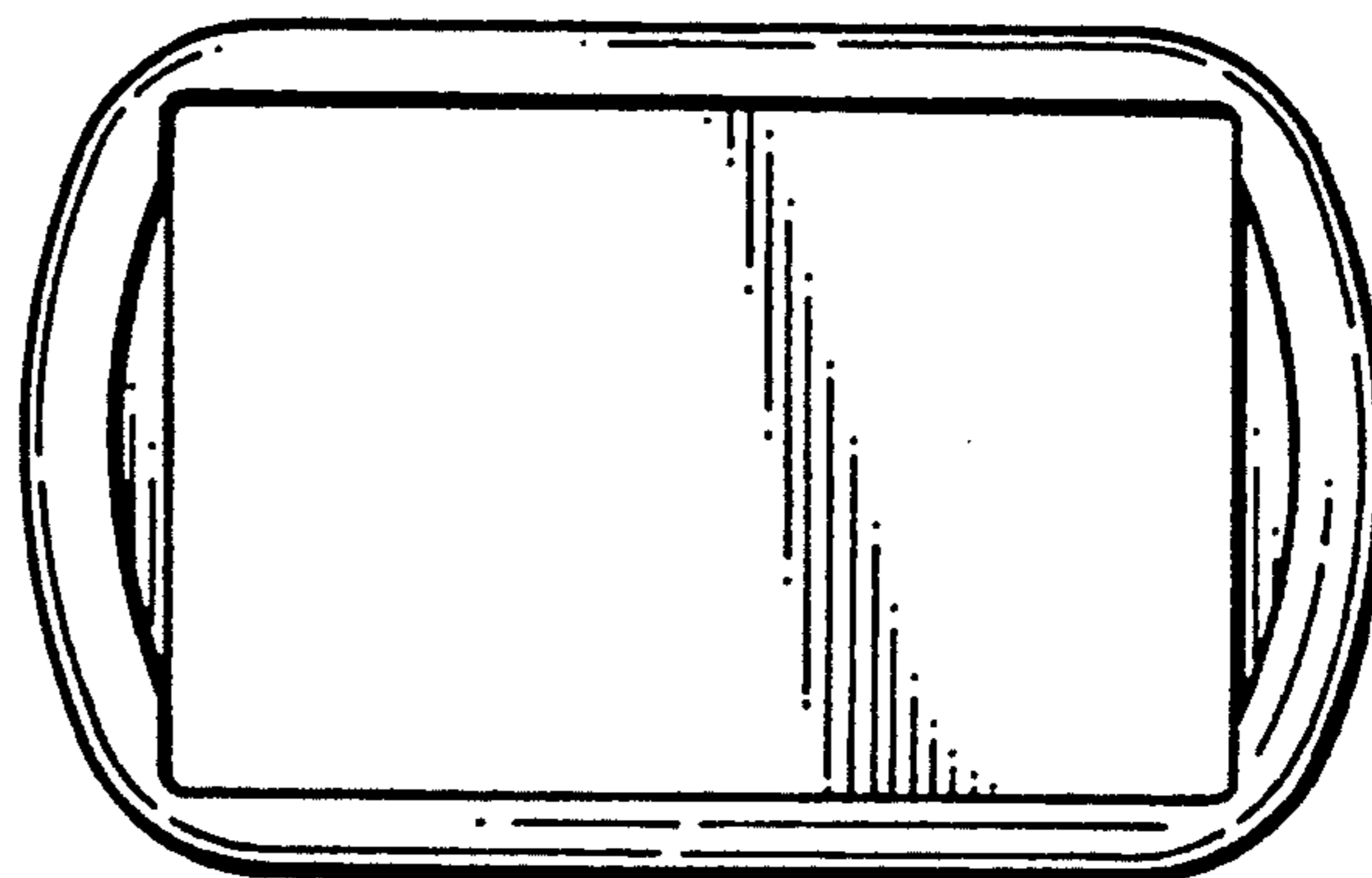


FIG. 6

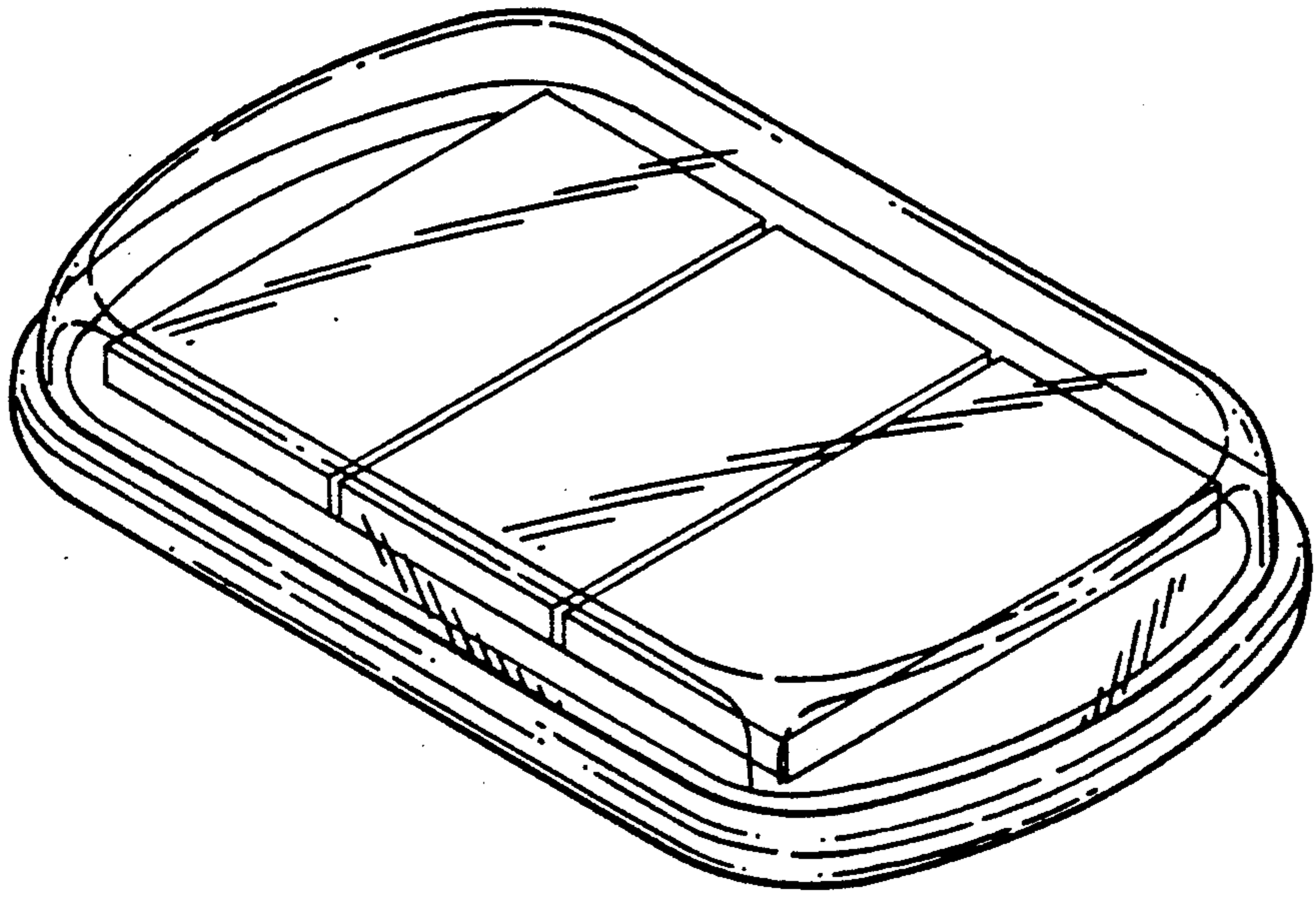


FIG. 7

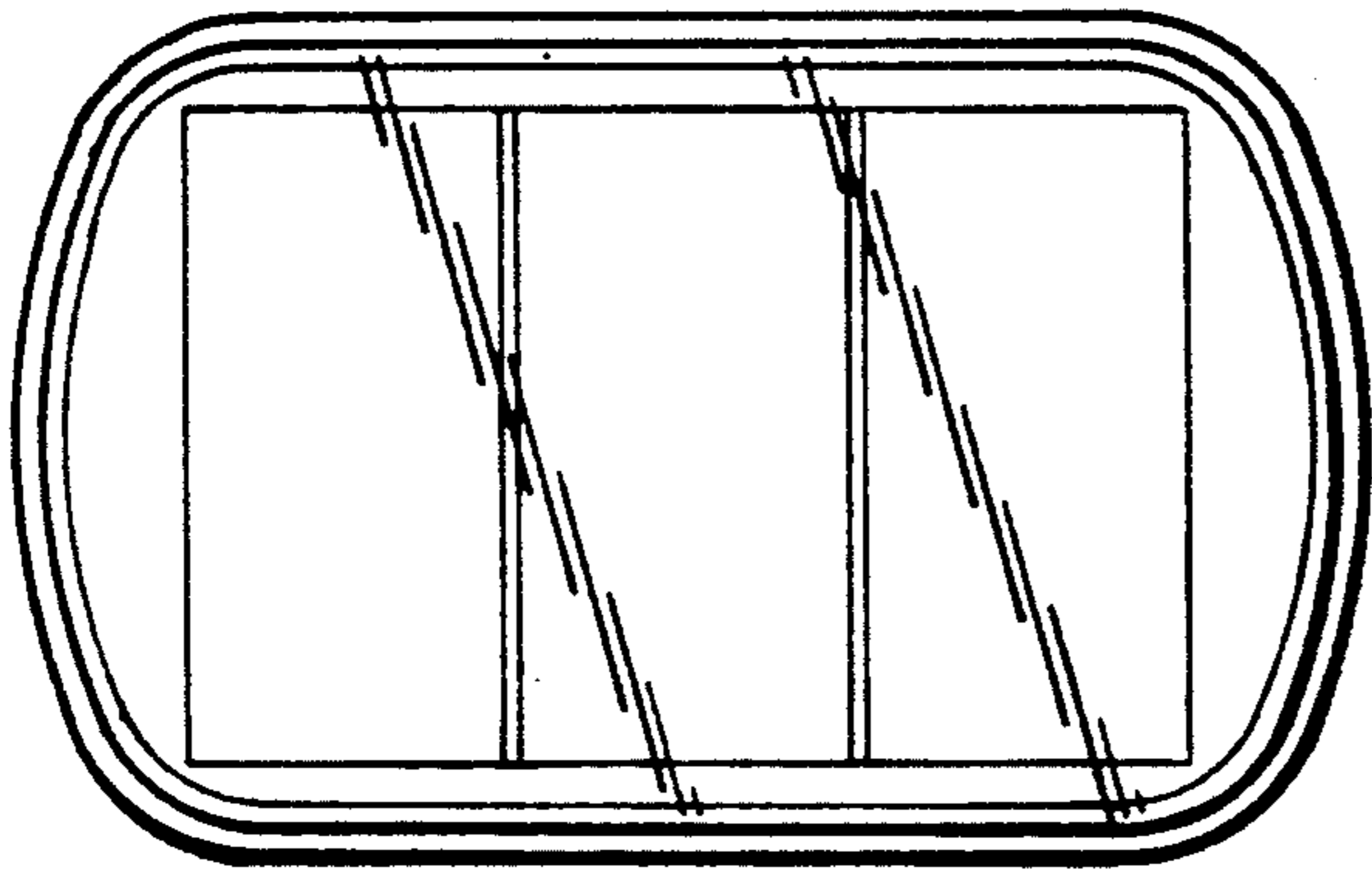


FIG. 8

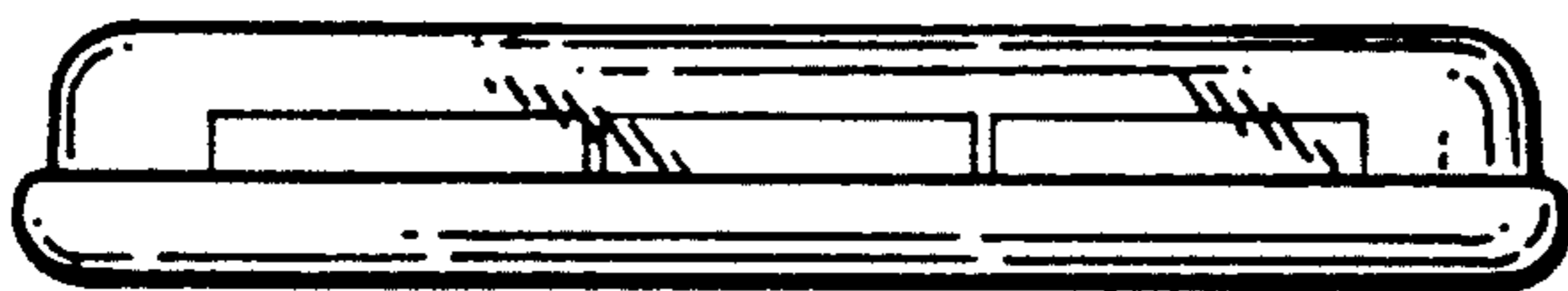


FIG. 9

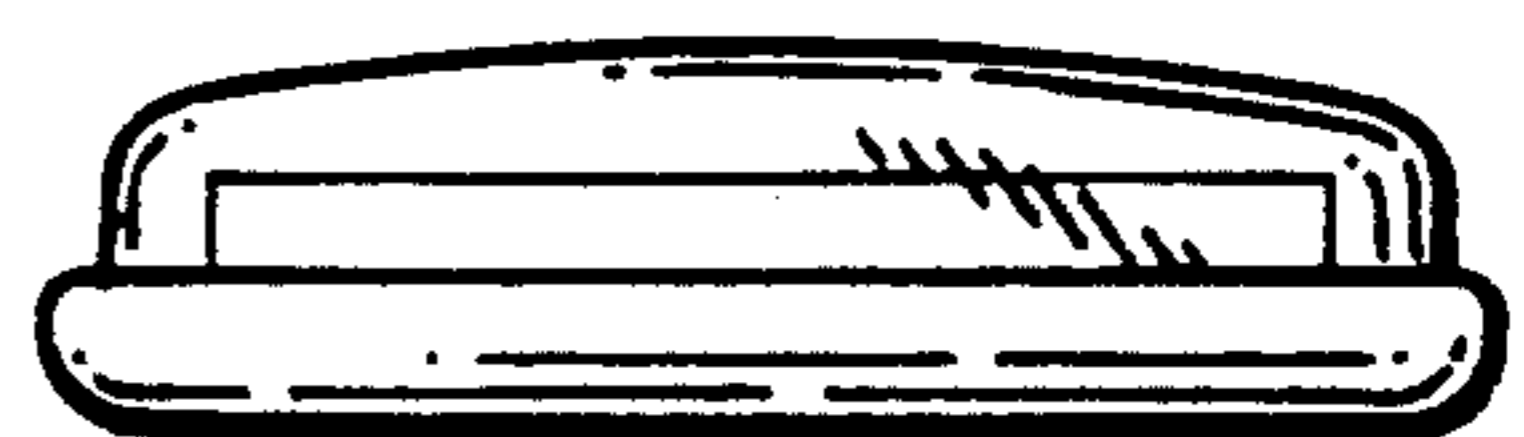


FIG. 10

