



US00D331416S

United States Patent [19]

[11] Patent Number: **Des. 331,416**

Fushiya et al.

[45] Date of Patent: **** Dec. 1, 1992**

[54] **MITER SAW**
[75] Inventors: **Fusao Fushiya; Mitsuyoshi Niinomi,**
both of Anjo, Japan

4,638,700 1/1987 Fushiya et al. 83/471.3 X
5,046,390 9/1991 Sasaki 83/471.2
5,054,352 10/1991 Fushiya et al. 83/471.3 X
5,063,805 11/1991 Brundage 83/471.3 X

[73] Assignee: **Makita Electric Works, Ltd., Anjo,**
Japan

Primary Examiner—Donald P. Walsh
Assistant Examiner—Antoine D. Davis
Attorney, Agent, or Firm—Dennison, Meserole, Pollack
& Scheiner

[**] Term: **14 Years**

[21] Appl. No.: **476,289**

[57] **CLAIM**

[22] Filed: **Feb. 8, 1990**

The ornamental design for a miter saw, as shown and described.

[30] **Foreign Application Priority Data**

Aug. 10, 1989 [JP] Japan 1-29486
[52] U.S. Cl. **D15/133**
[58] Field of Search **D15/133; D8/66, 71;**
83/471.2, 471.3, 477, 581

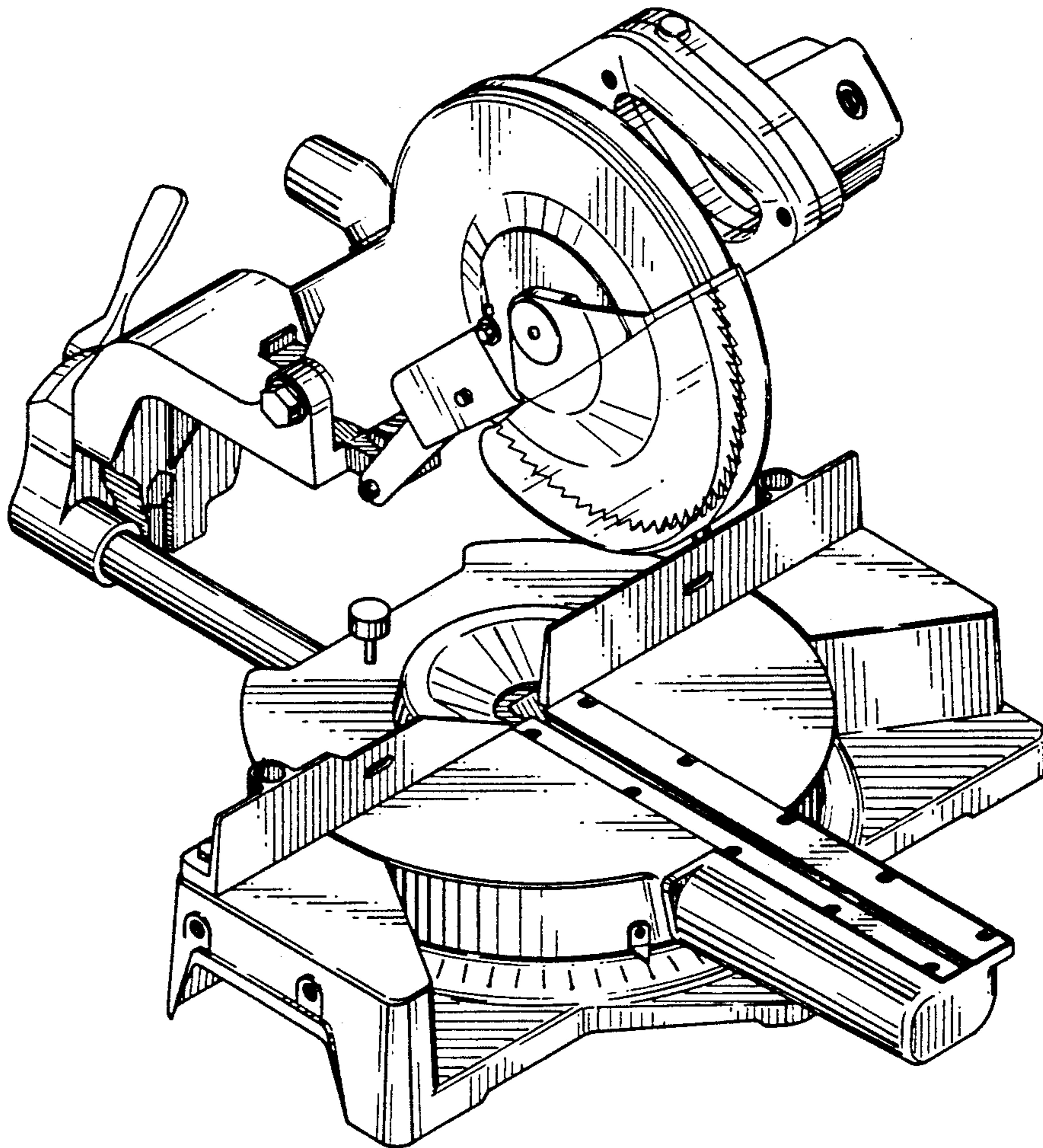
DESCRIPTION

FIG. 1 is a perspective view of miter saw showing our new design;
FIG. 2 is a front elevational view;
FIG. 3 is a rear elevational view;
FIG. 4 is a left side elevational view;
FIG. 5 is a right side elevational view;
FIG. 6 is a top plan view; and,
FIG. 7 is a bottom plan view thereof.
FIG. 1 has been drawn on a reduced scale with respect to FIGS. 2-7.

[56] **References Cited**

U.S. PATENT DOCUMENTS

D. 295,823 5/1988 Brickner, Jr. et al. D15/133
D. 305,542 1/1990 Miyamoto et al. D15/133
4,527,453 7/1985 van Hauten 83/471.3 X



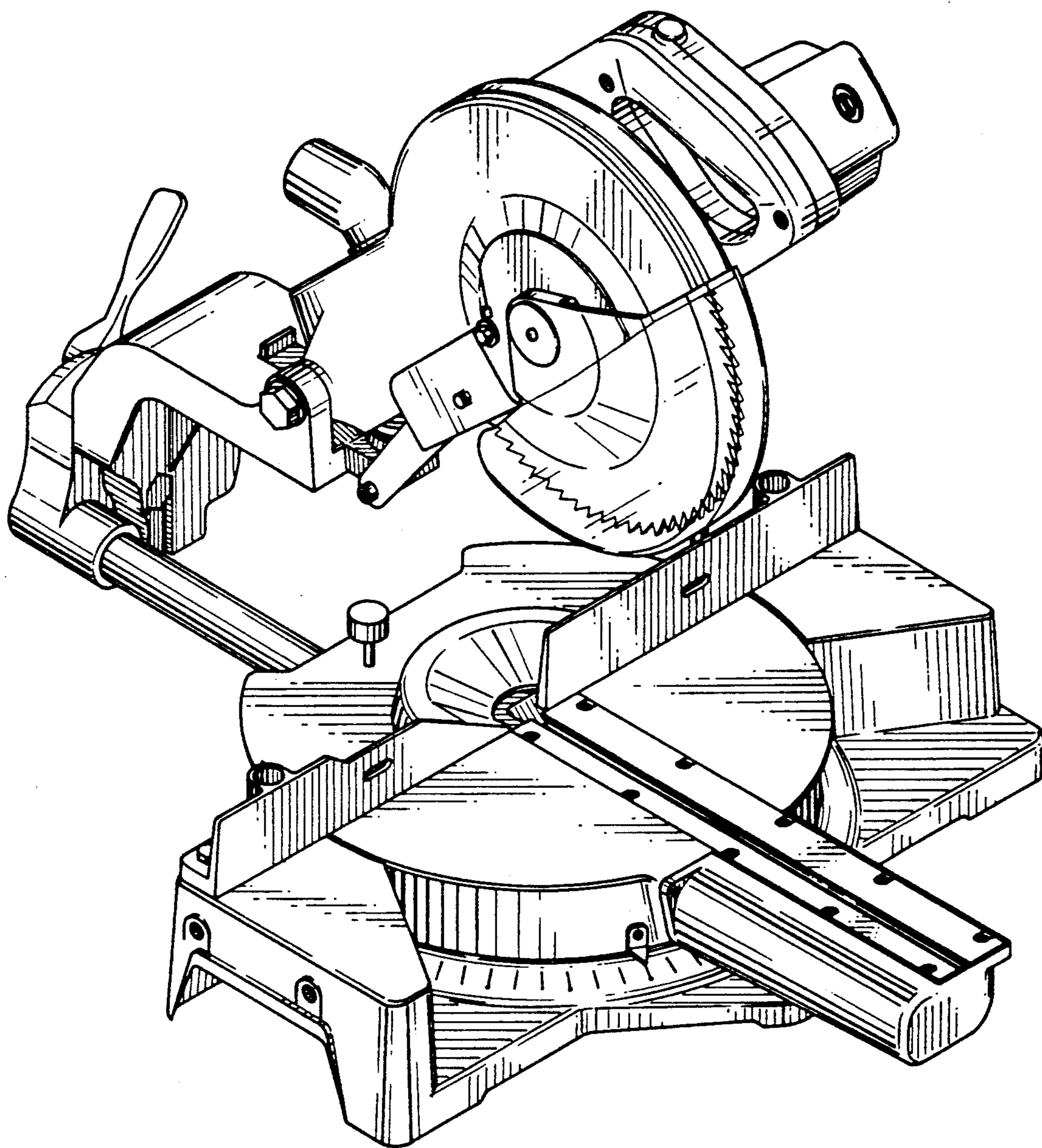


FIG. 1

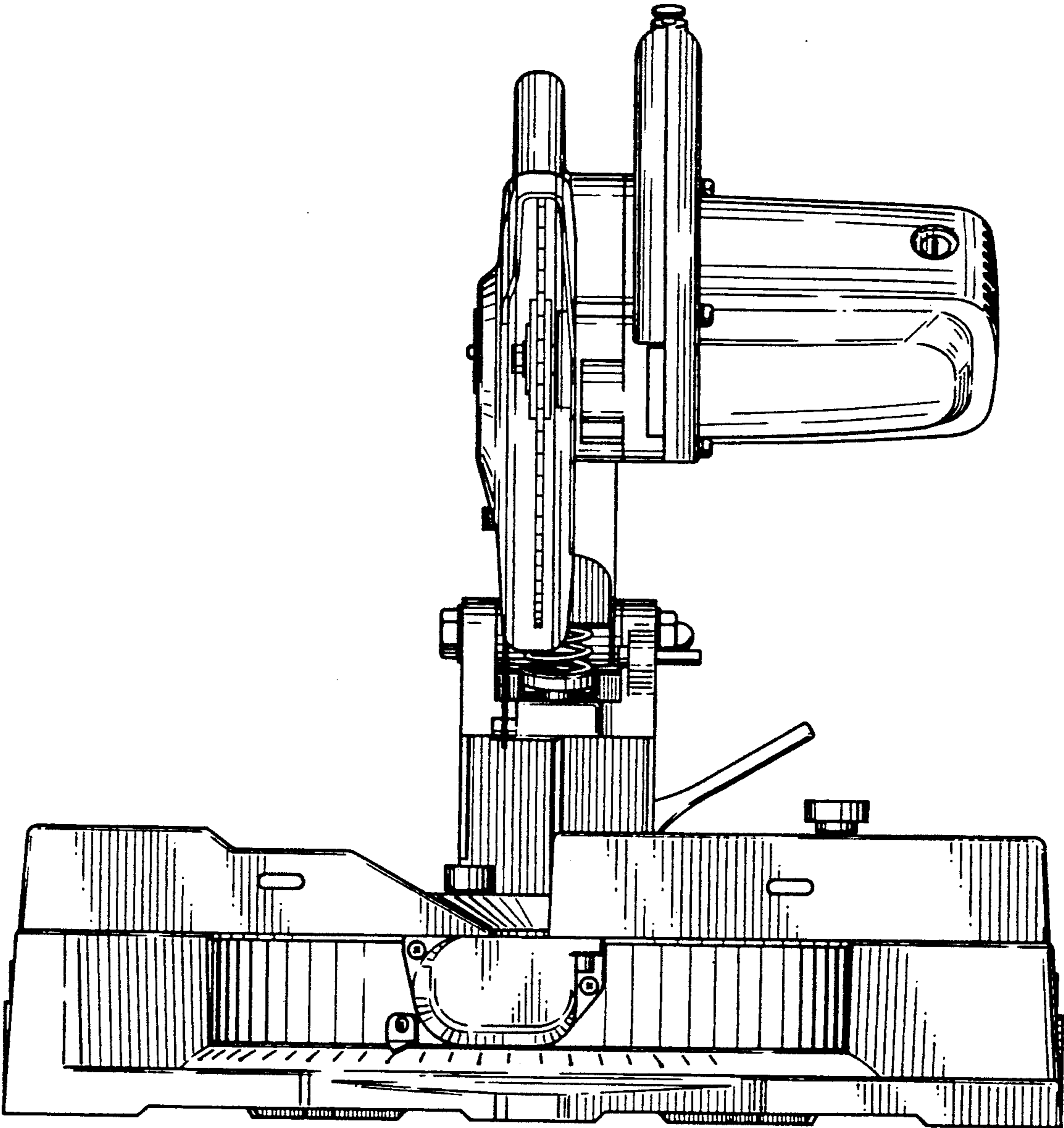


FIG. 2

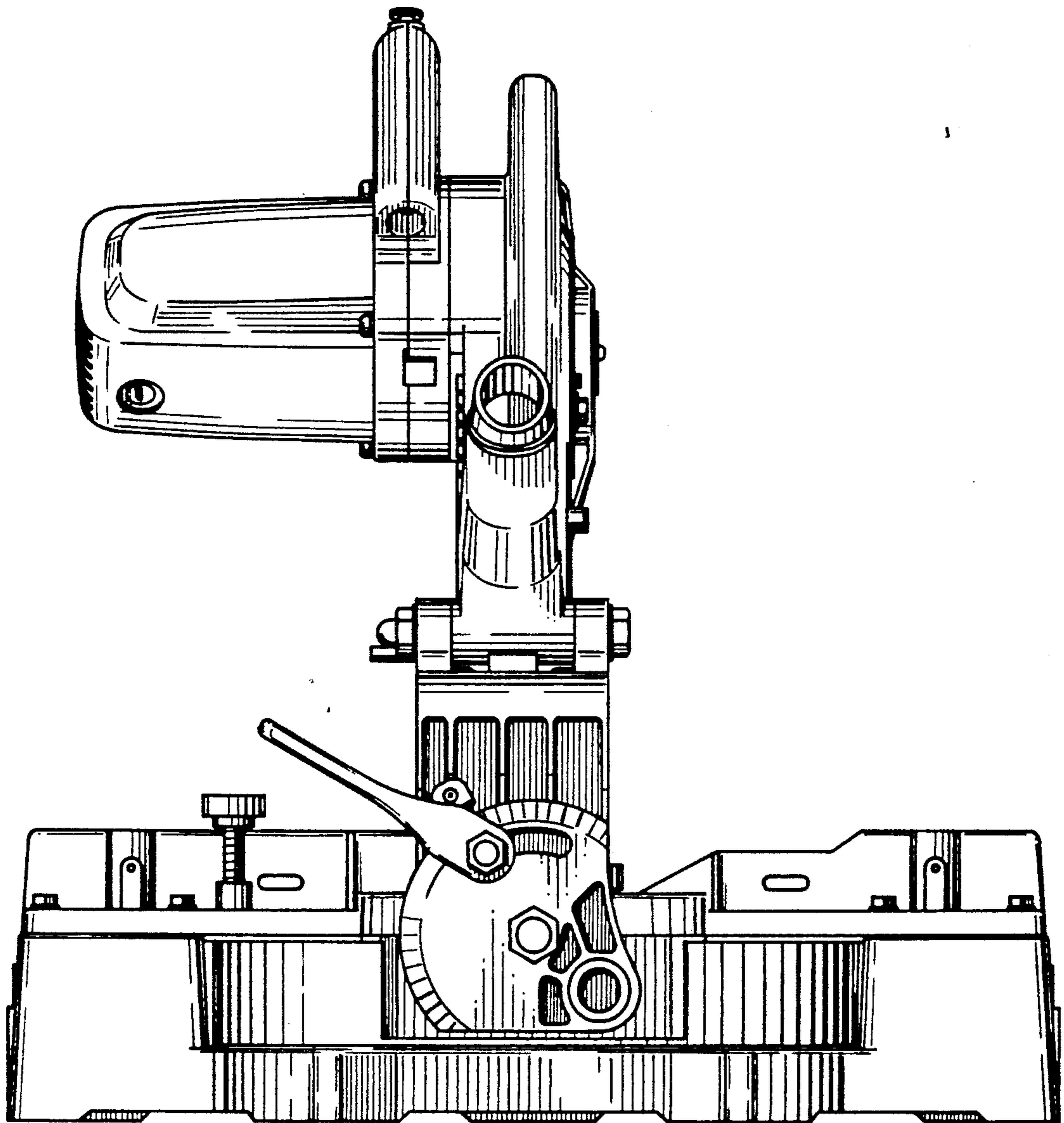


FIG. 3

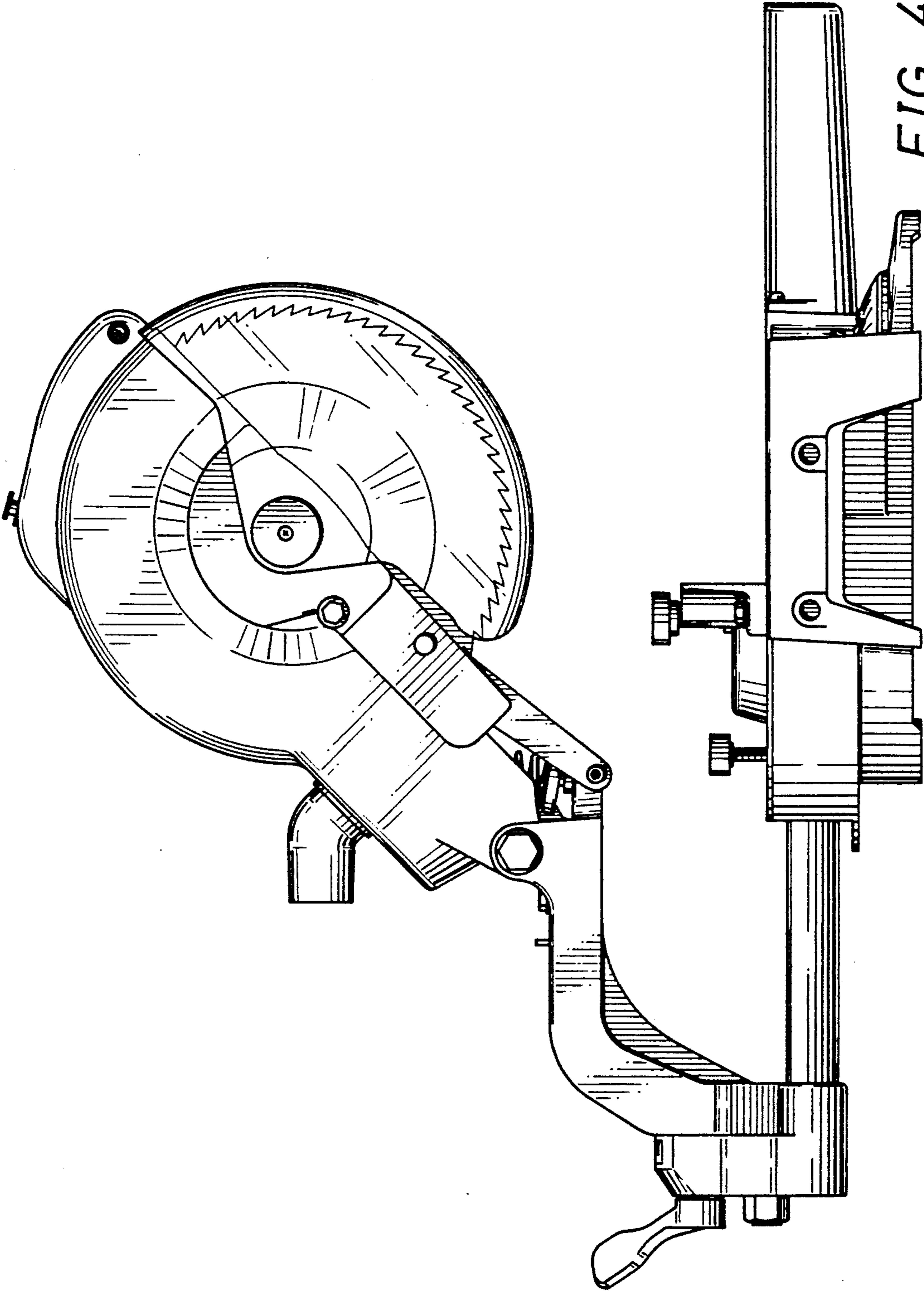


FIG. 4

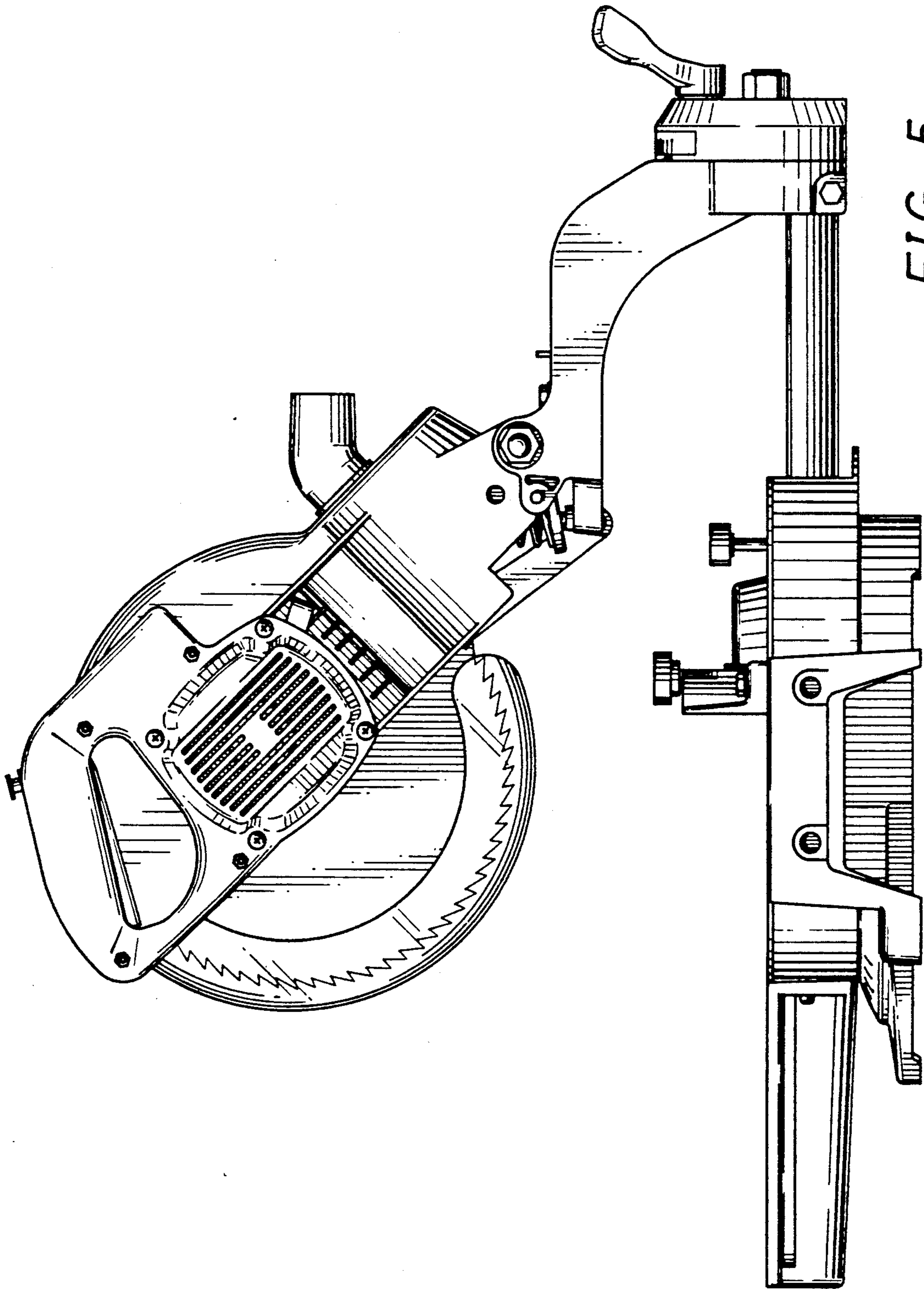


FIG. 5

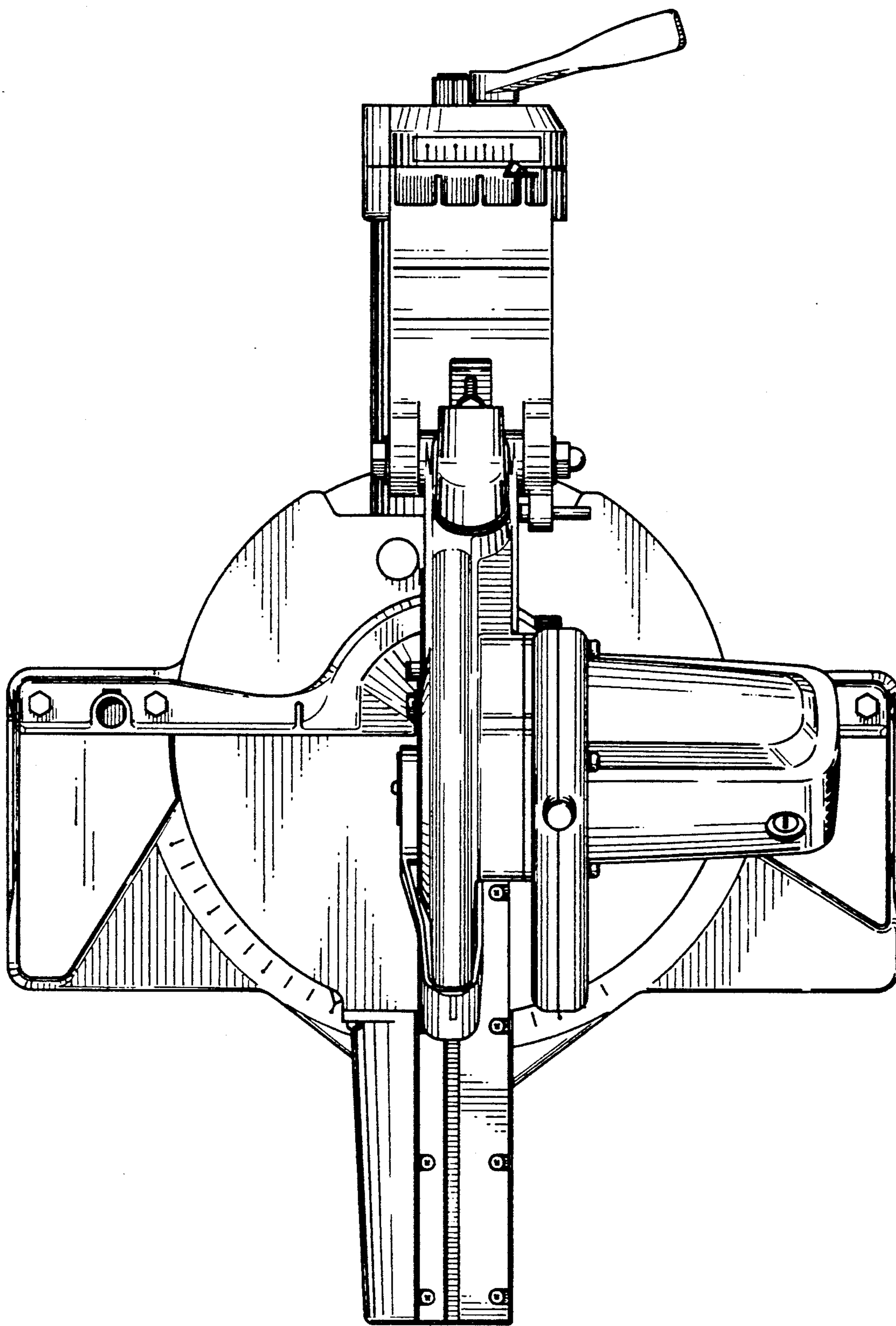


FIG. 6

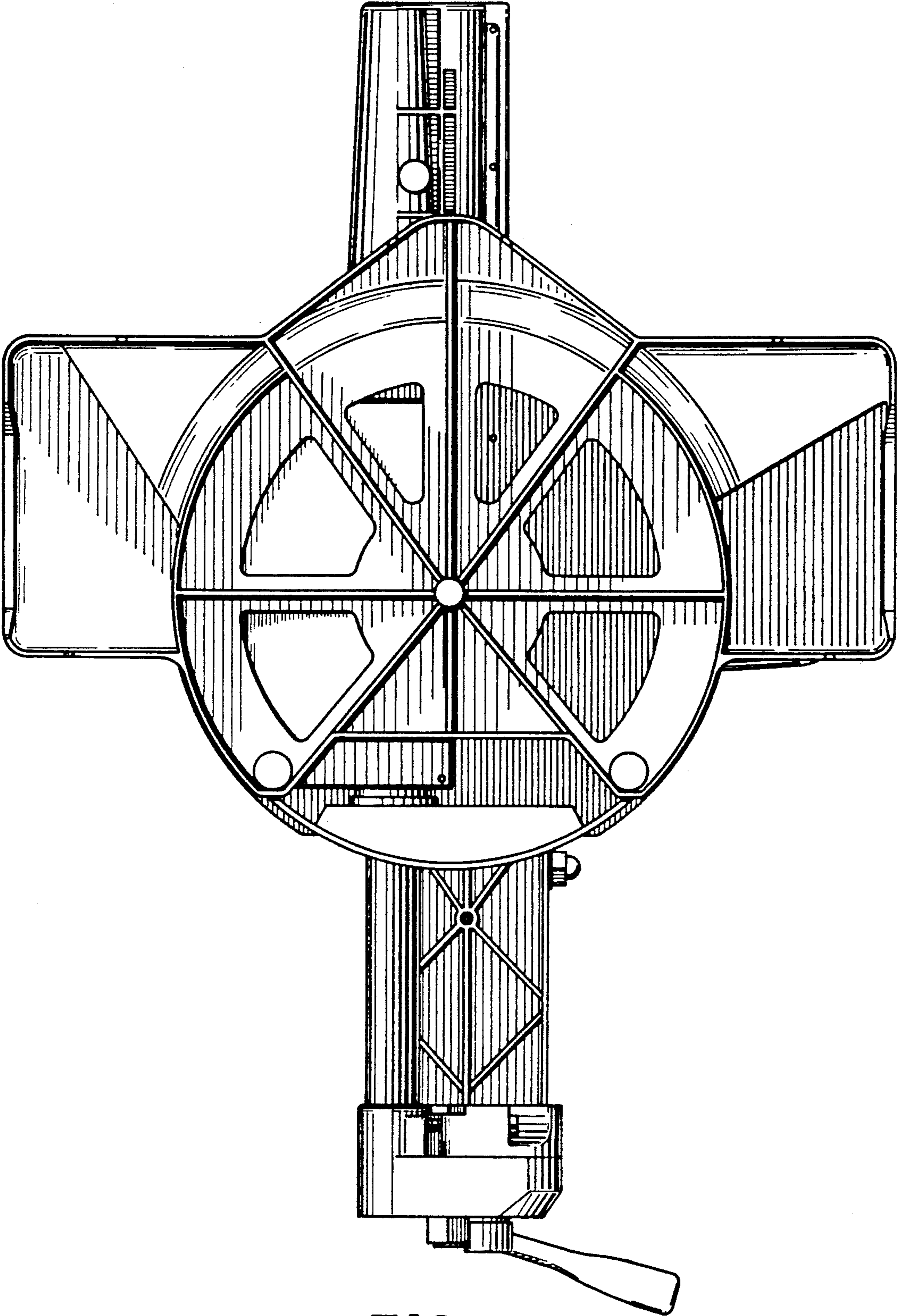


FIG. 7