



US00D331412S

# United States Patent [19]

[11] Patent Number: **Des. 331,412**

Wilden

[45] Date of Patent: **\*\* Dec. 1, 1992**

## [54] AIR DRIVEN DIAPHRAGM PUMP

- [75] Inventor: **deceased Wilden, late of Yucaipa, Calif., by Naomi R. Wilden, executrix**
- [73] Assignee: **Wilden Pump & Engineering Co., Colton, Calif.**
- [\*\*] Term: **14 Years**
- [21] Appl. No.: **434,761**
- [22] Filed: **Nov. 13, 1989**
- [52] U.S. Cl. .... **D15/7; D15/9**
- [58] Field of Search ..... **D15/7; 417/393-394, 417/454, 395-397; 92/128, 98 R; 418/70**

### [56] References Cited

#### U.S. PATENT DOCUMENTS

D. 268,413	3/1983	Wilden .....	D15/7
D. 275,858	10/1984	Wilden .....	D15/7
D. 294,946	3/1988	Wilden .....	D15/7
D. 294,947	3/1988	Wilden .....	D15/7

## OTHER PUBLICATIONS

Graco Inc.—Air Powered 16 GPM Diaphragm Pump (Husky 715) ©1987.  
 Warren Rupp-Houdaille-½" SandPiper Air-Powered Double Diaphragm Non-Metallic Pump (PB½-A) ©1988.  
 ARO Corporation-½" Diaphragm Pumps ©1987.

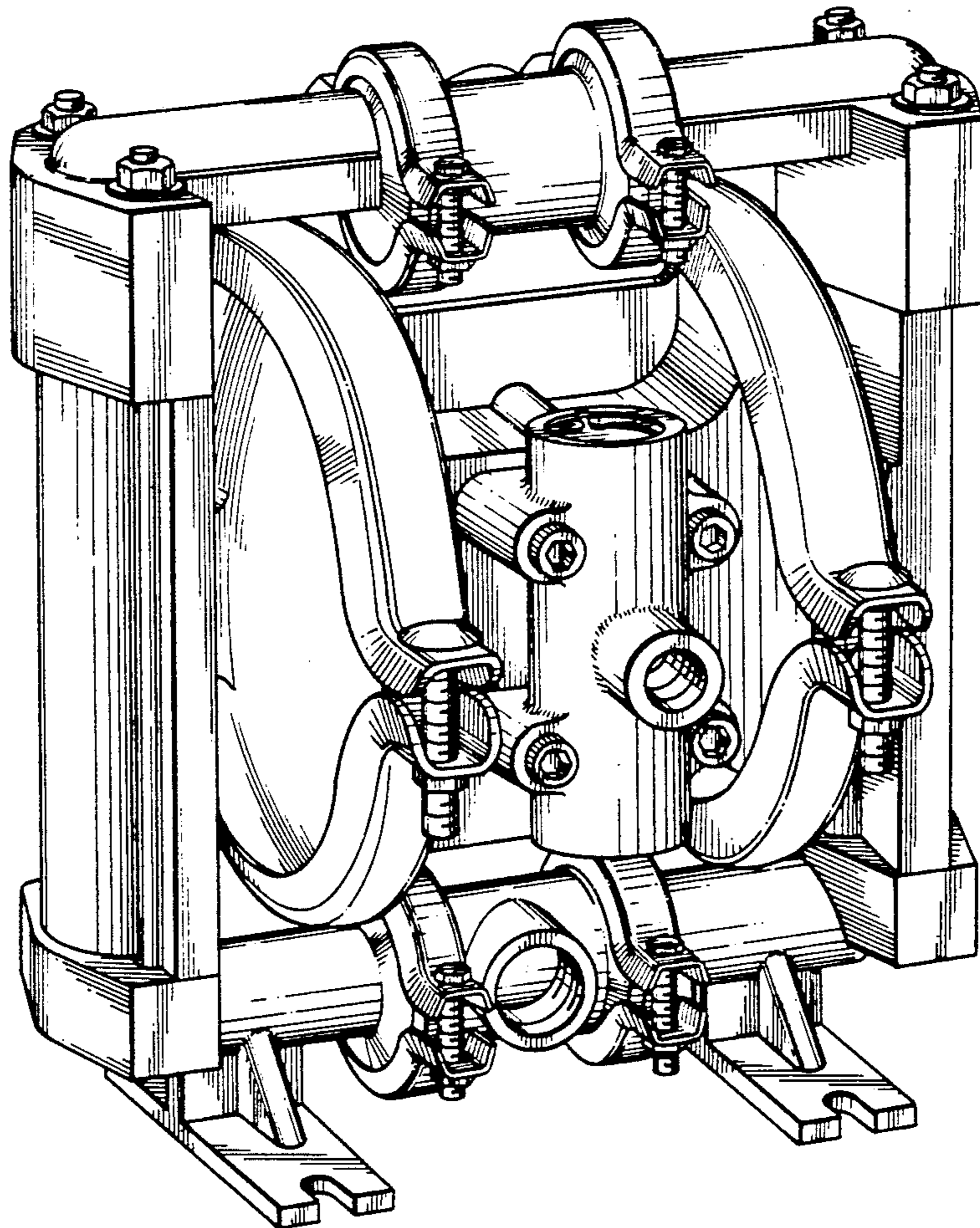
*Primary Examiner*—A. Hugo Word  
*Assistant Examiner*—R. Seifert  
*Attorney, Agent, or Firm*—Lyon & Lyon

## [57] CLAIM

The ornamental design for an air driven diaphragm pump, as shown and described.

## DESCRIPTION

FIG. 1 is a front perspective view of an air driven diaphragm pump showing my new design; FIG. 2 is a front elevational view thereof; FIG. 3 is a rear elevational view thereof; FIG. 4 is a side elevational view thereof, the opposite side being identical in appearance; FIG. 5 is a top plan view thereof; and, FIG. 6 is a bottom plan view thereof.





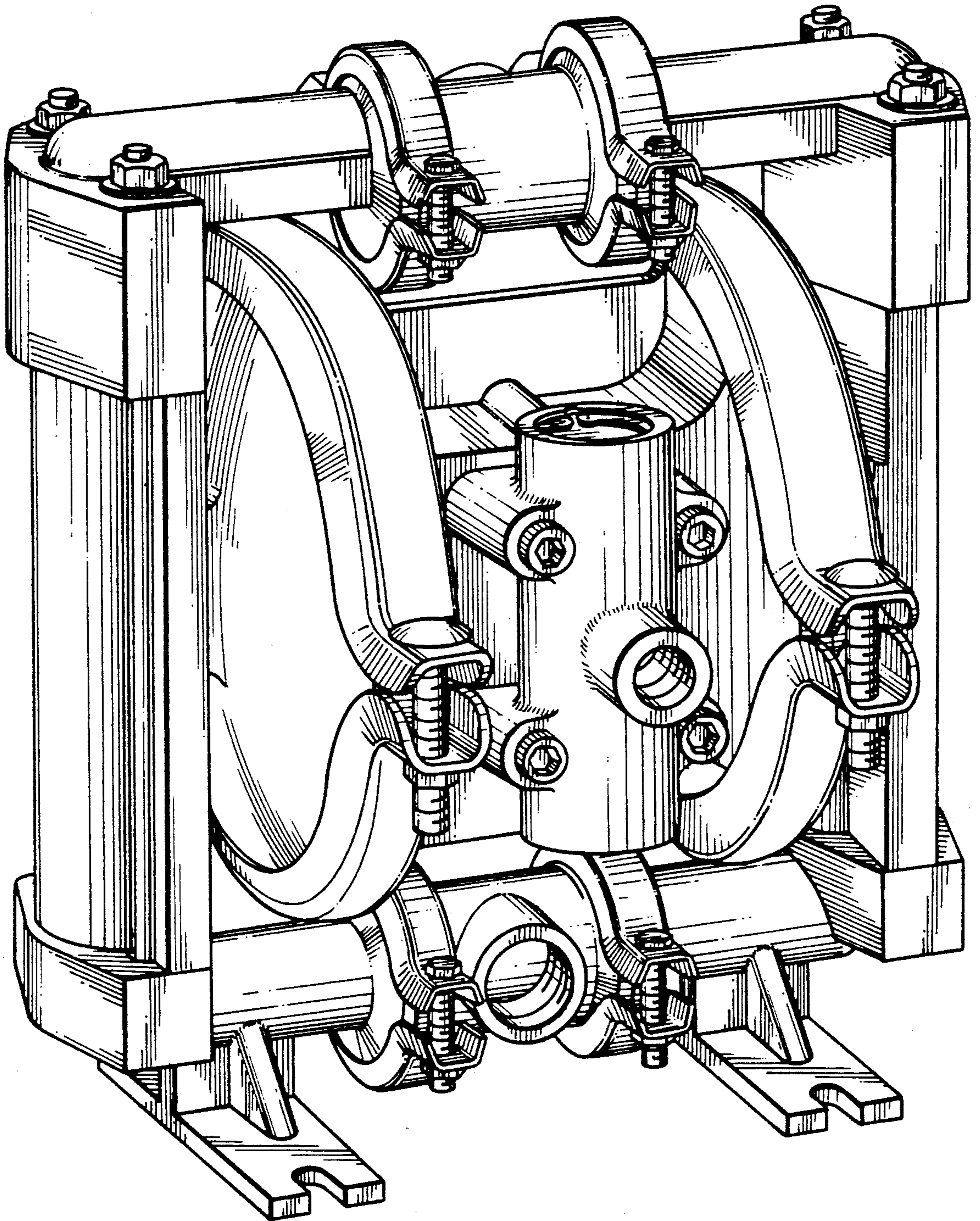


FIG. 1.

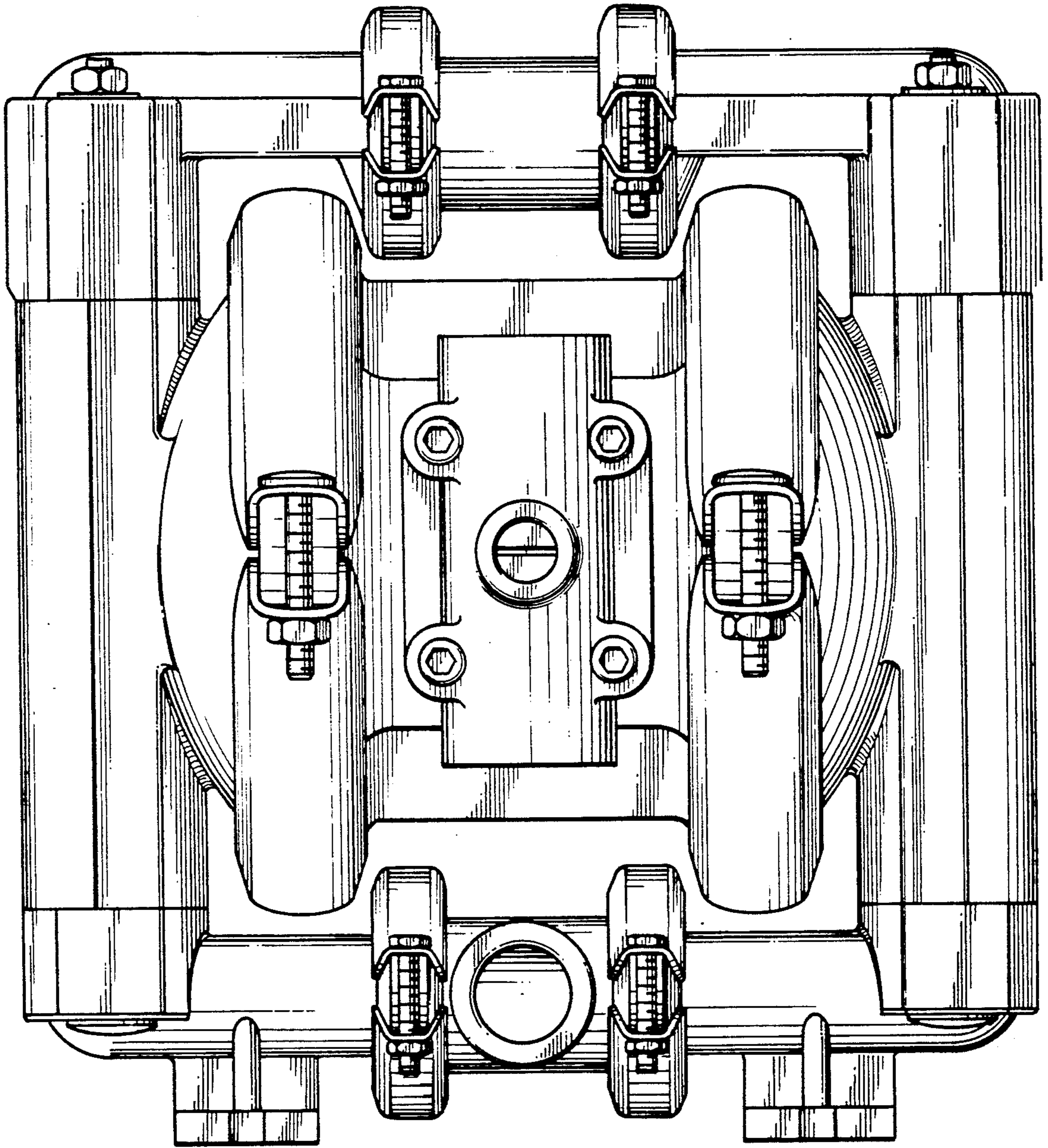


FIG. 2.



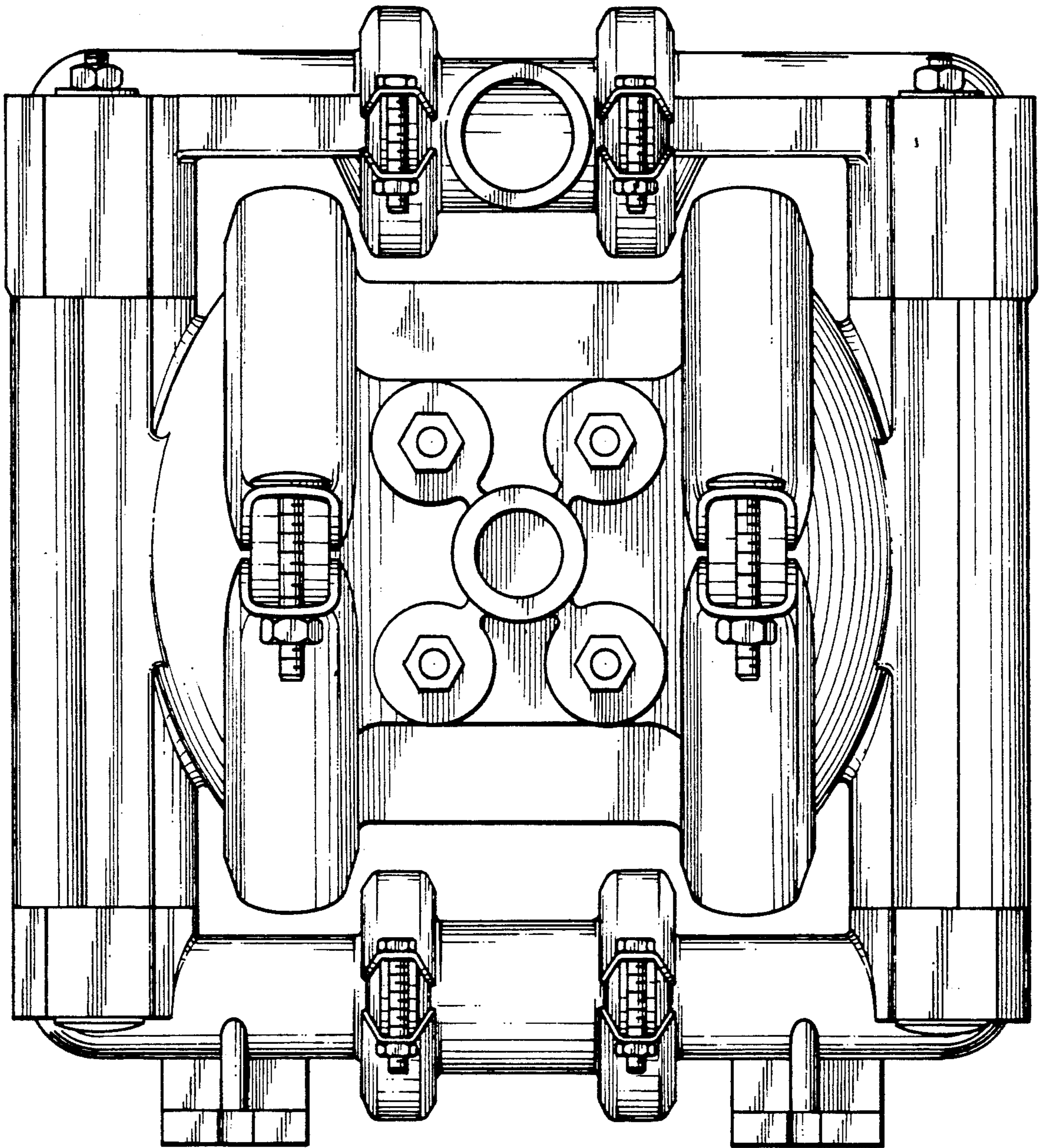


FIG. 3.

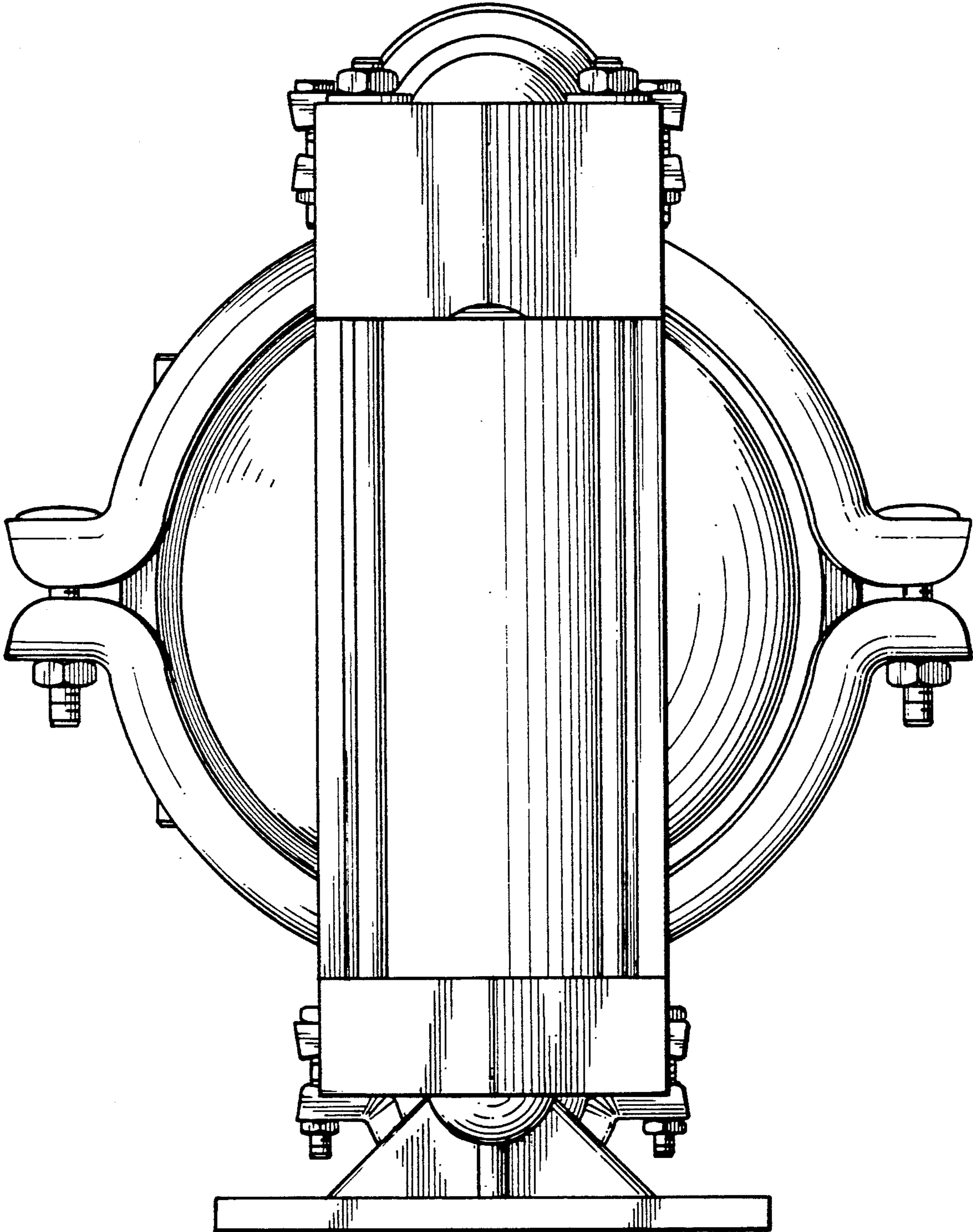


FIG. 4.

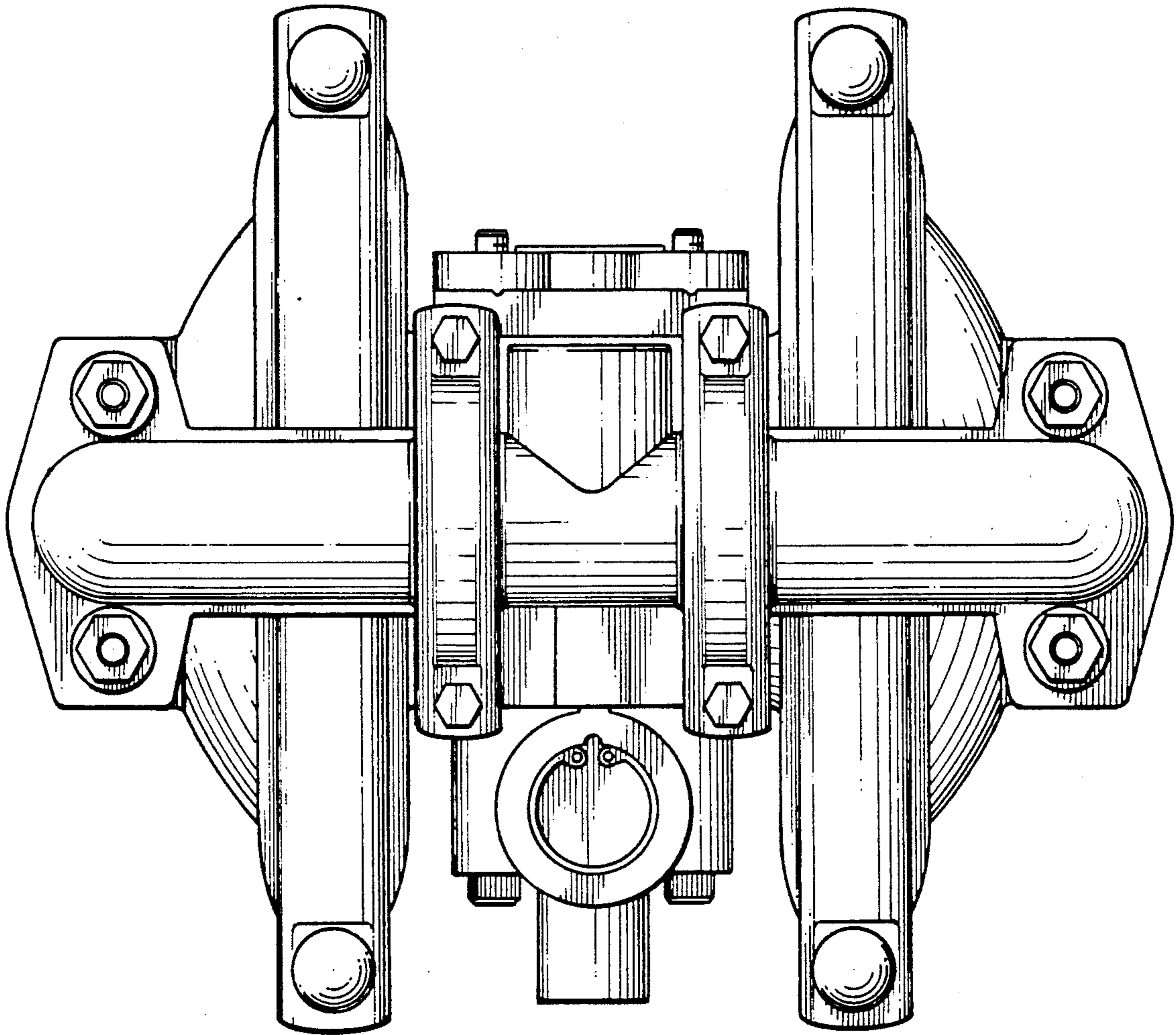


FIG. 5.



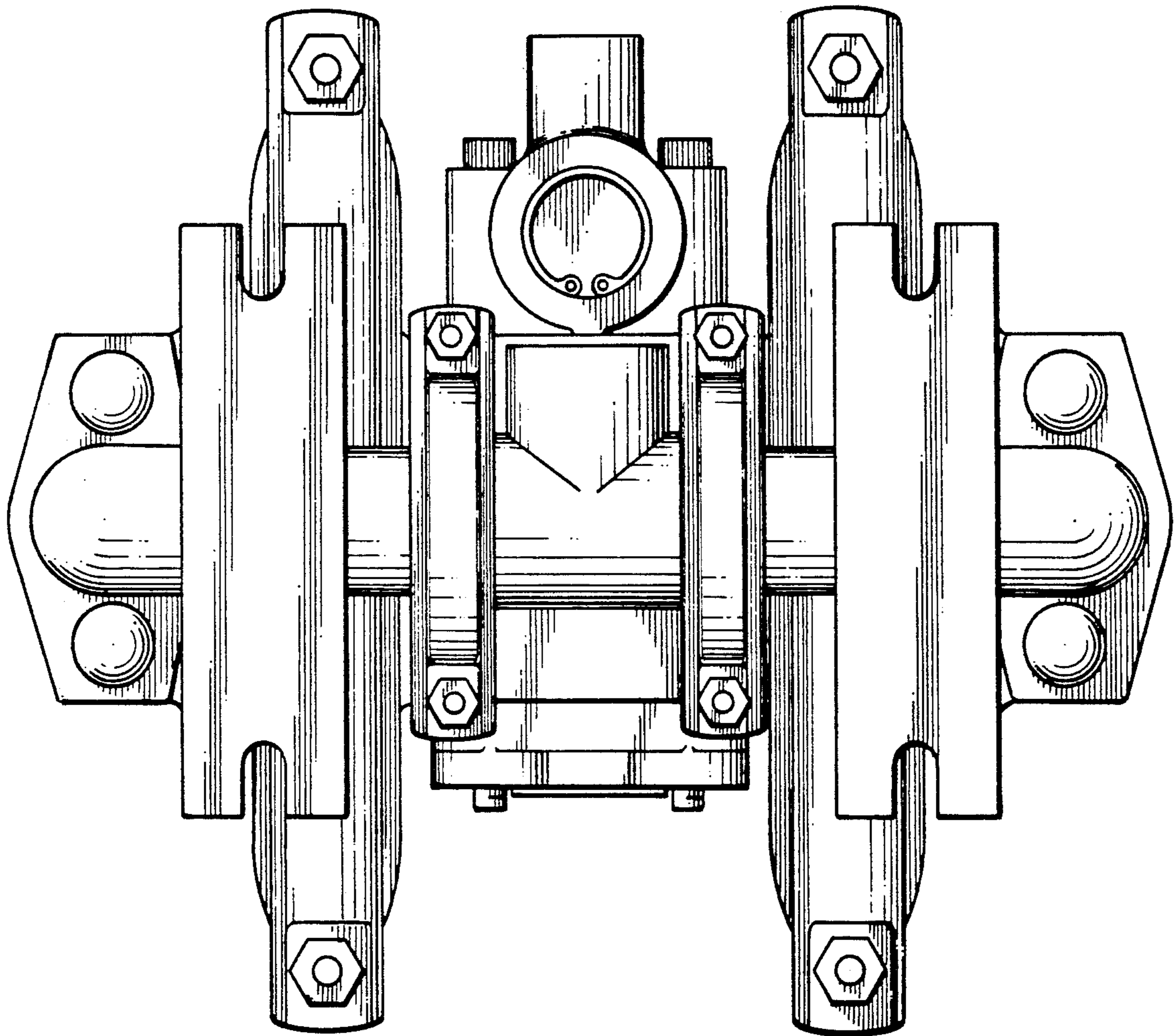


FIG. 6.