



US00D331407S

United States Patent [19]

[11] Patent Number: **Des. 331,407**

Davis

[45] Date of Patent: **** Dec. 1, 1992**

[54] **MINIATURE RADIO**

[76] Inventor: **David A. Davis**, 227 Falwood Way
N.E., Calgary, Alberta, Canada, T3J
1A9

[**] Term: **14 Years**

[21] Appl. No.: **585,362**

[22] Filed: **Sep. 20, 1990**

[30] **Foreign Application Priority Data**

Mar. 22, 1990 [CA] Canada 22-03-90-8

[52] U.S. Cl. **D14/189; D14/192**

[58] Field of Search D14/124, 137, 163, 168,
D14/171, 188-198, 265, 299; 455/344, 347,
350-351; D10/6; D9/443, 449

[56] **References Cited**

U.S. PATENT DOCUMENTS

- D. 92,498 6/1934 Slaton et al. .
- D. 92,499 6/1934 Slaton et al. .
- D. 132,771 6/1942 Hutaff, Jr. D9/443
- D. 196,679 10/1963 Schaffer D14/189
- D. 247,433 3/1978 Fixler .
- D. 291,197 8/1987 Lalanne .
- D. 291,690 9/1987 Tabachnik .
- D. 293,107 12/1987 Muller D14/205
- D. 320,355 10/1991 Boyer et al. D10/6 X

- 3,821,647 6/1974 Minasian .
- 4,539,708 9/1985 Norris .
- 4,736,430 4/1988 Schroder .

FOREIGN PATENT DOCUMENTS

- D53815 1/1985 Canada .
- D53927 1/1985 Canada .
- D56825 8/1986 Canada .
- D61223 7/1988 Canada .

OTHER PUBLICATIONS

Hong Kong Enterprise, Jan. 1985, p. 315, top left.

Primary Examiner—Theodore M. Shooman

Attorney, Agent, or Firm—Kerkam, Stowell, Kondracki & Clarke

[57] **CLAIM**

The ornamental design for the miniature radio, as shown and described.

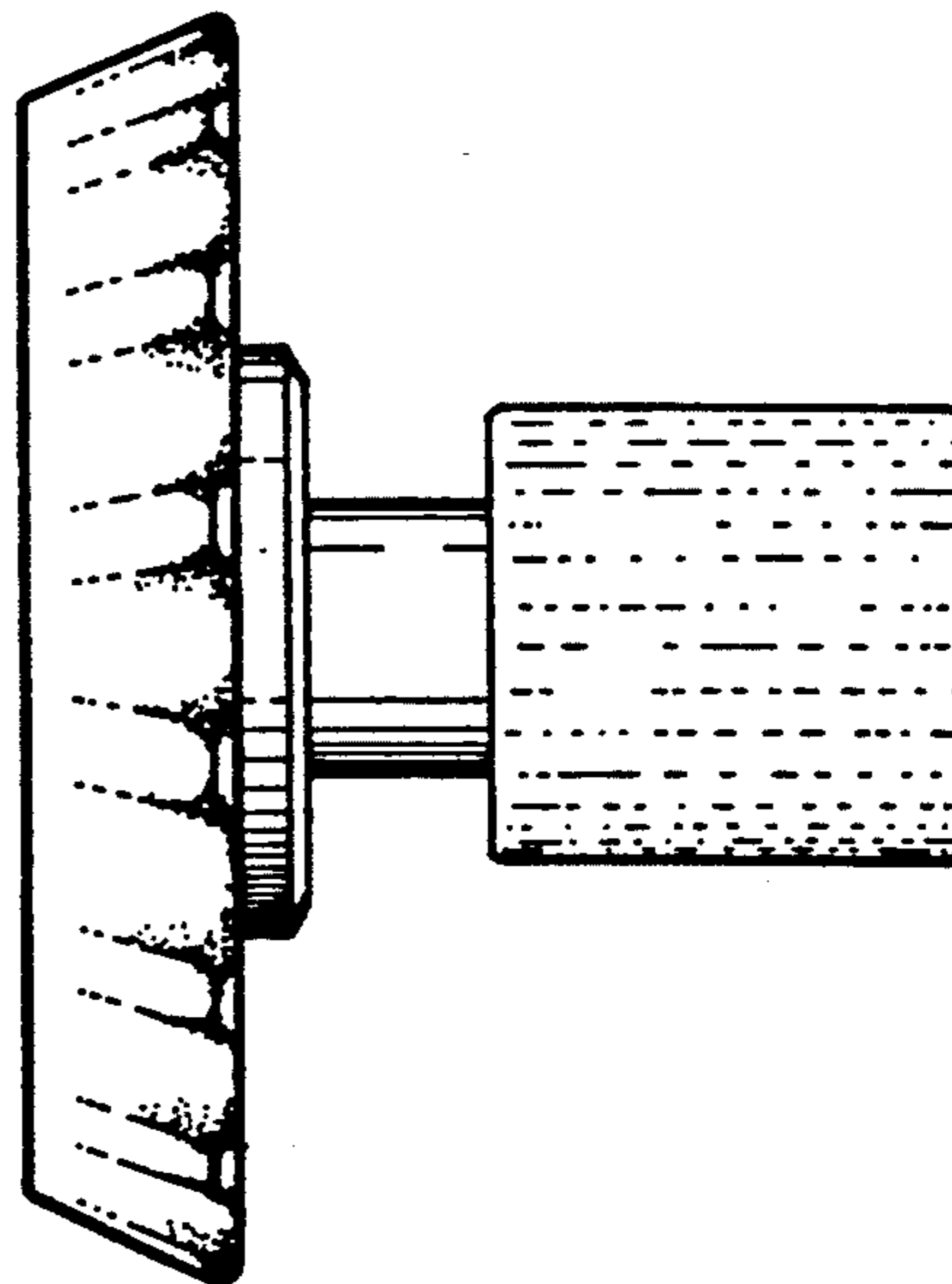
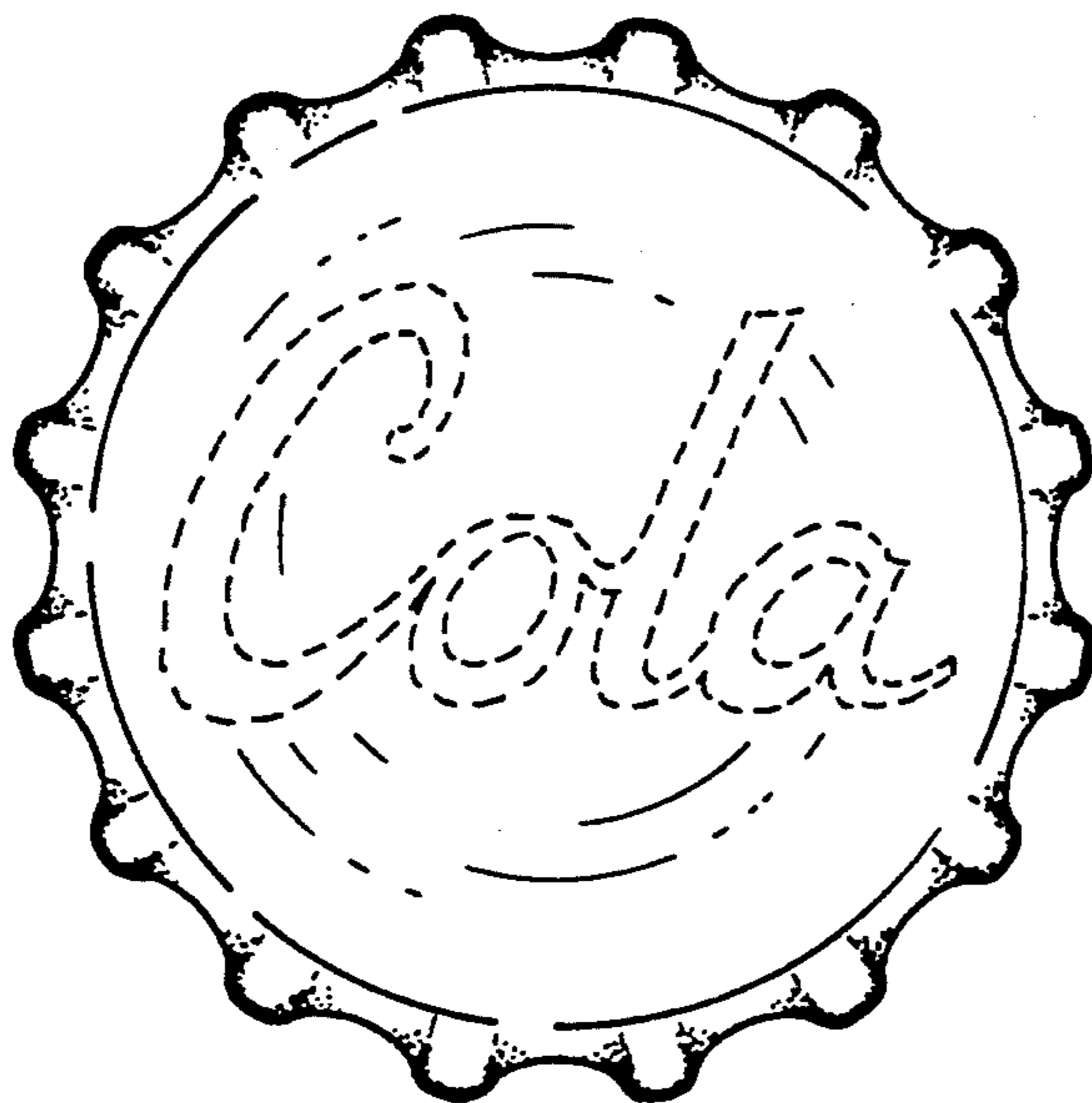
DESCRIPTION

FIG. 1 is a top plan view of a miniature radio showing my new design;

FIG. 2 is a side elevational view thereof; and,

FIG. 3 is a bottom plan view thereof.

The broken line showing of the indicia on the top is for illustrative purposes only and forms no part of the claimed design.



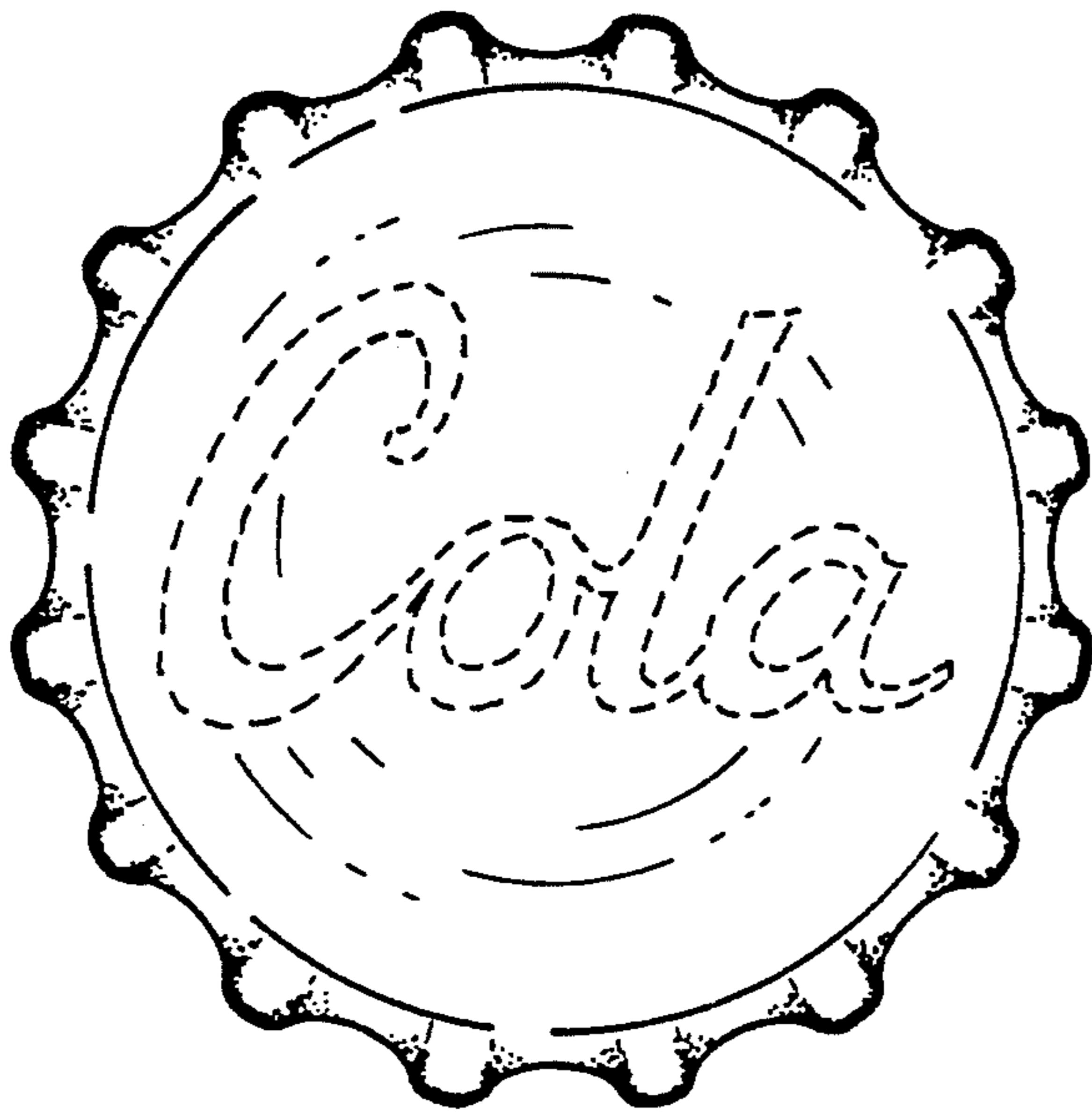


FIG. 1

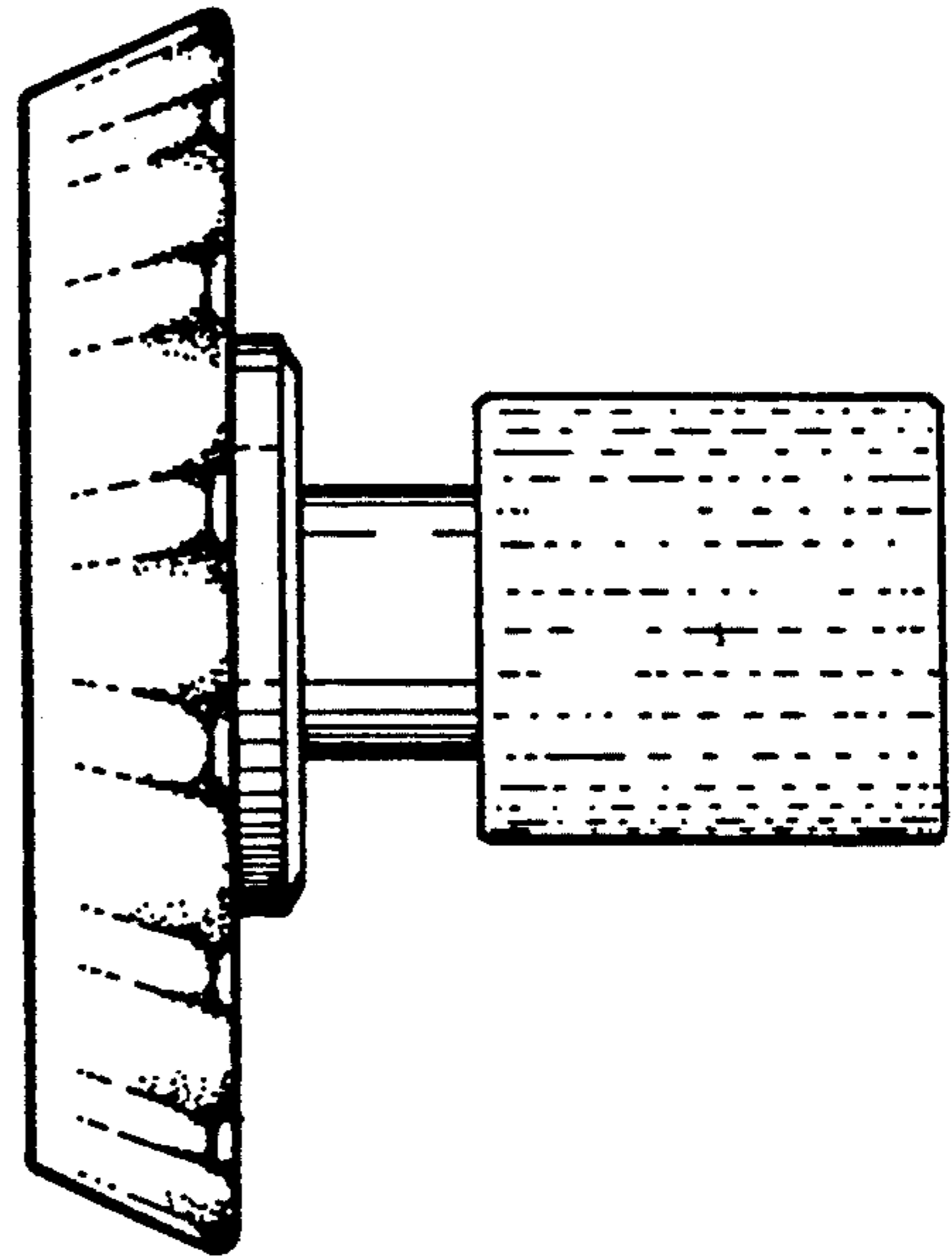


FIG. 2

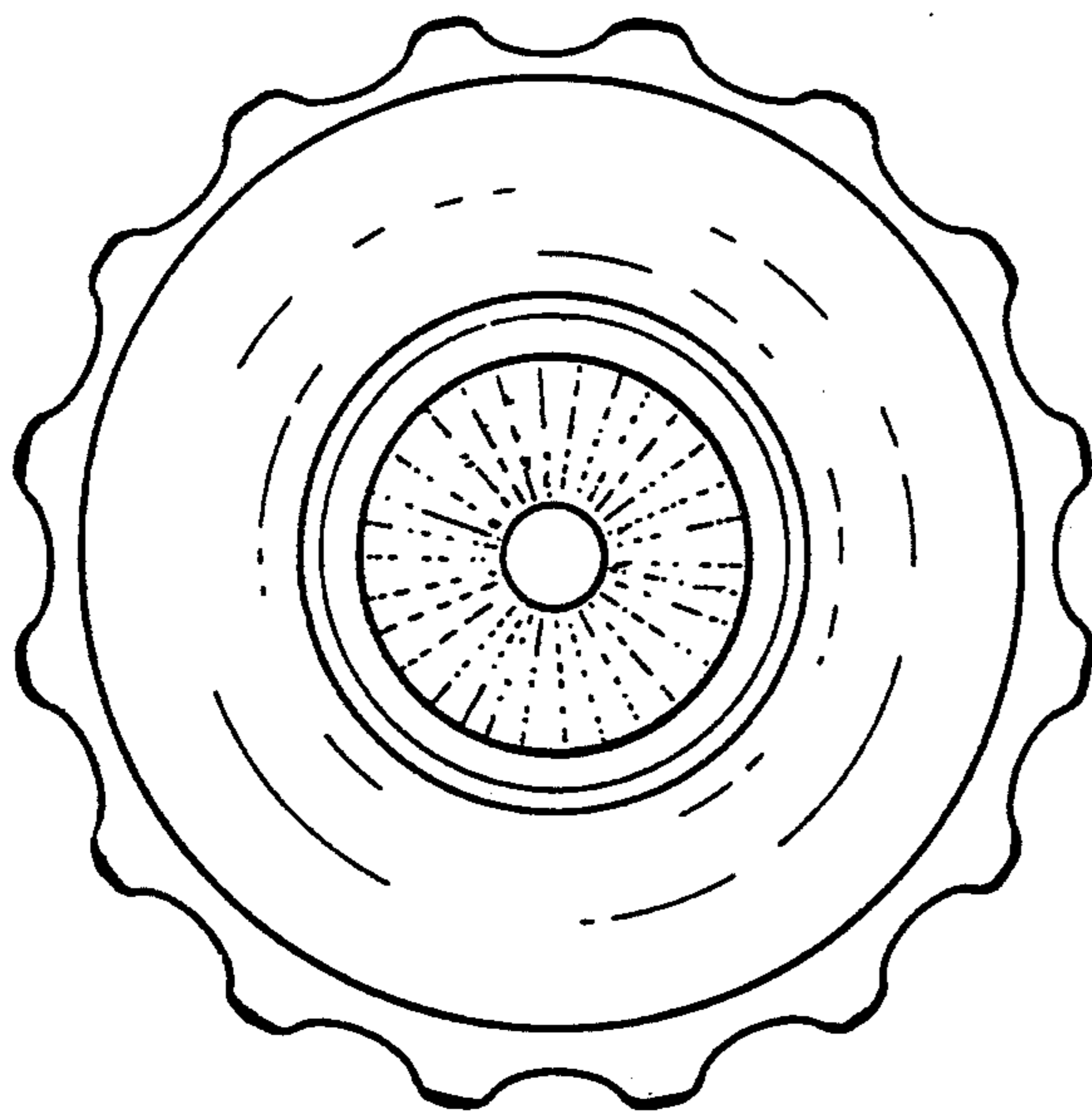


FIG. 3