



US00D331406S

United States Patent [19]

[11] Patent Number: **Des. 331,406**

Goatman

[45] Date of Patent: **** Dec. 1, 1992**

[54] MOBILE RADIO

[56] References Cited

[75] Inventor: **Michael C. Goatman**, Eindhoven, Netherlands

U.S. PATENT DOCUMENTS

- D. 298,133 10/1988 Tokiyama et al. D14/157
- D. 300,635 4/1989 Dickson D14/137 X
- D. 303,802 10/1989 Culbertson D14/137 X
- D. 312,456 11/1990 Kasparian et al. D14/137

[73] Assignee: **U.S. Philips Corporation**, New York, N.Y.

Primary Examiner—Theodore M. Shooman
Attorney, Agent, or Firm—Jack E. Haken

[**] Term: **14 Years**

[57] CLAIM

[21] Appl. No.: **461,479**

The ornamental design for a mobile radio, as shown.

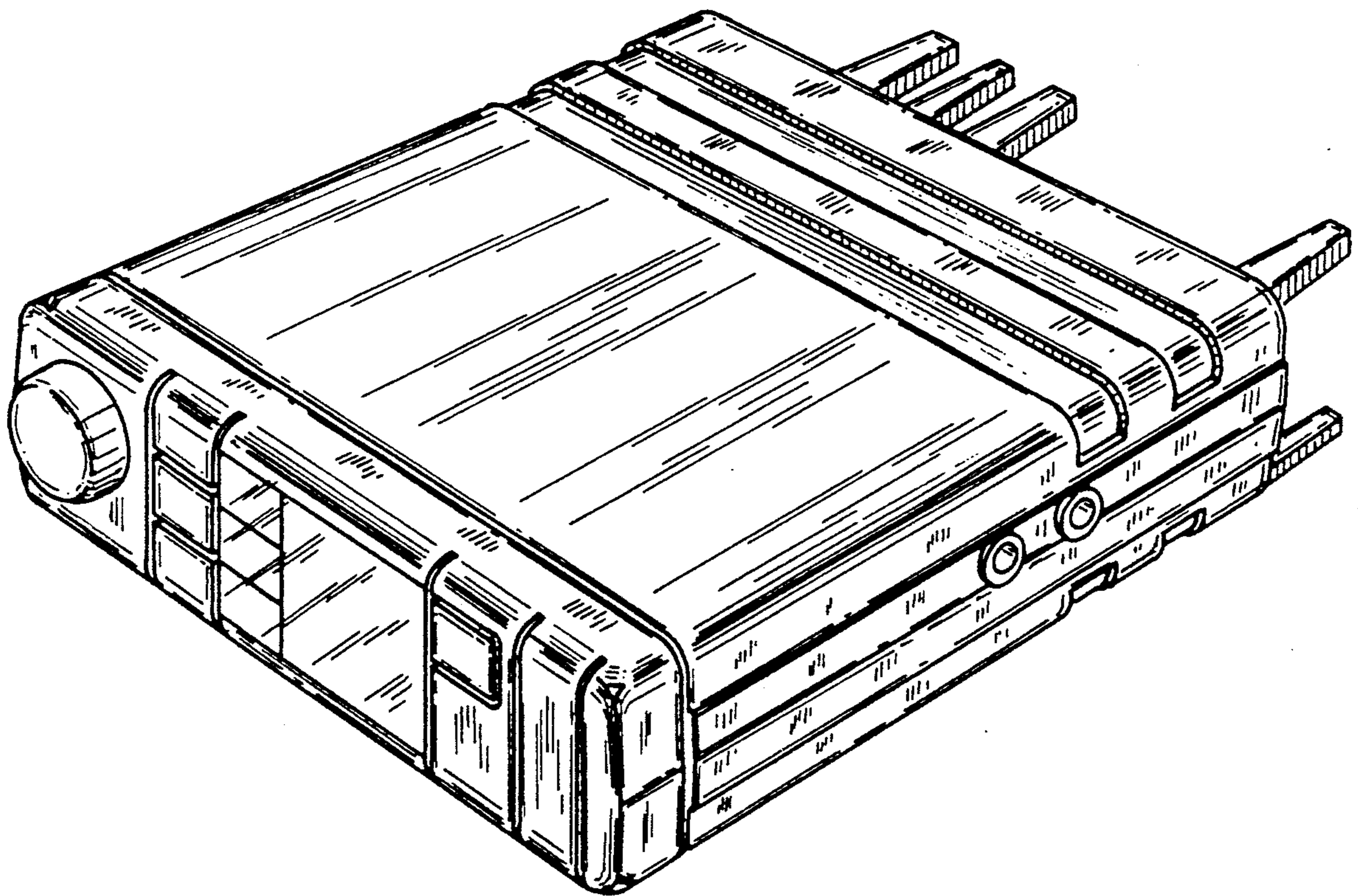
[22] Filed: **Jan. 3, 1990**

DESCRIPTION

[30] Foreign Application Priority Data

- Jul. 12, 1989 [WO] World Int. Prop. O. DM/014058
- [52] U.S. Cl. **D14/137; D14/157**
- [58] Field of Search **D14/124, 137-139, D14/157, 299; 455/73, 89-90**

FIG. 1 is a top, front and right side perspective view of a mobile radio showing my new design;
 FIG. 2 is a front elevational view thereof;
 FIG. 3 is a rear elevational view thereof;
 FIG. 4 is a top plan view thereof;
 FIG. 5 is a bottom plan view thereof;
 FIG. 6 is a right side elevational view thereof; and,
 FIG. 7 is a left side elevational view thereof.



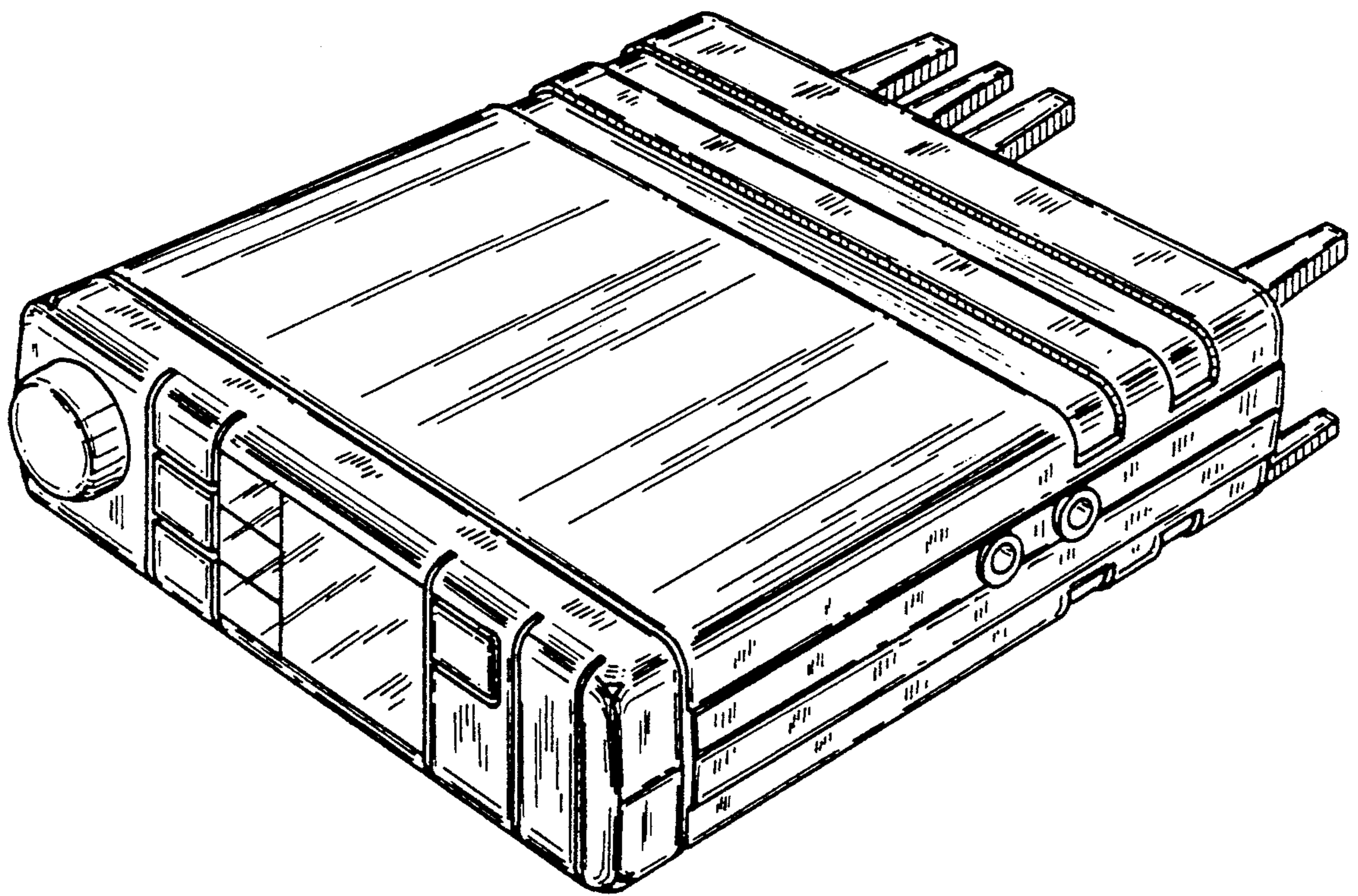


FIG. 1

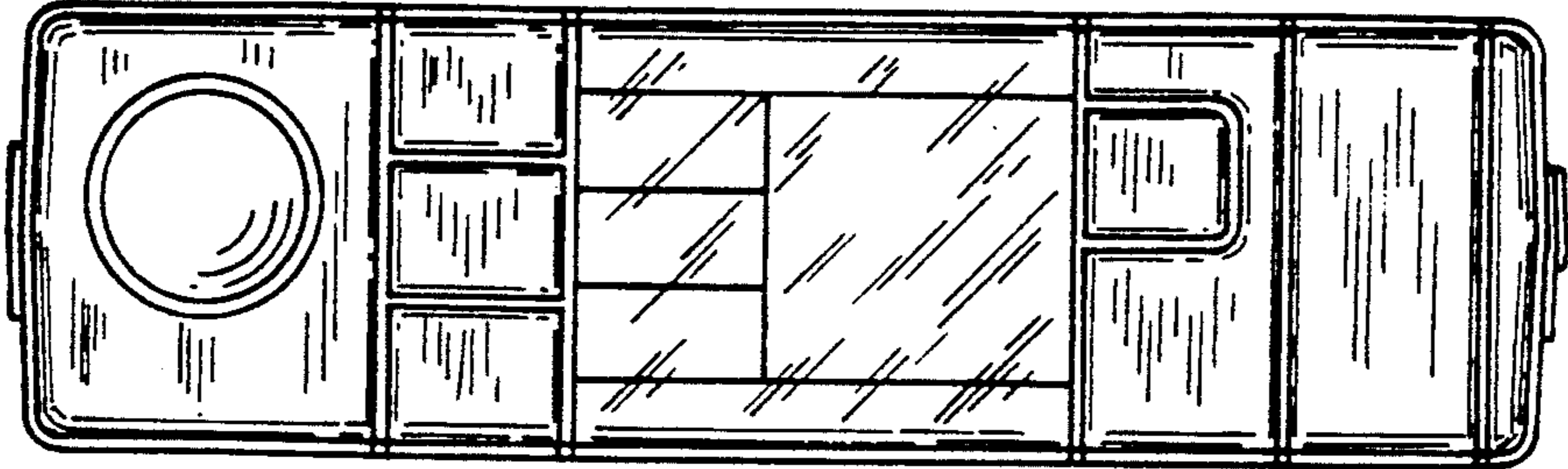


FIG. 2

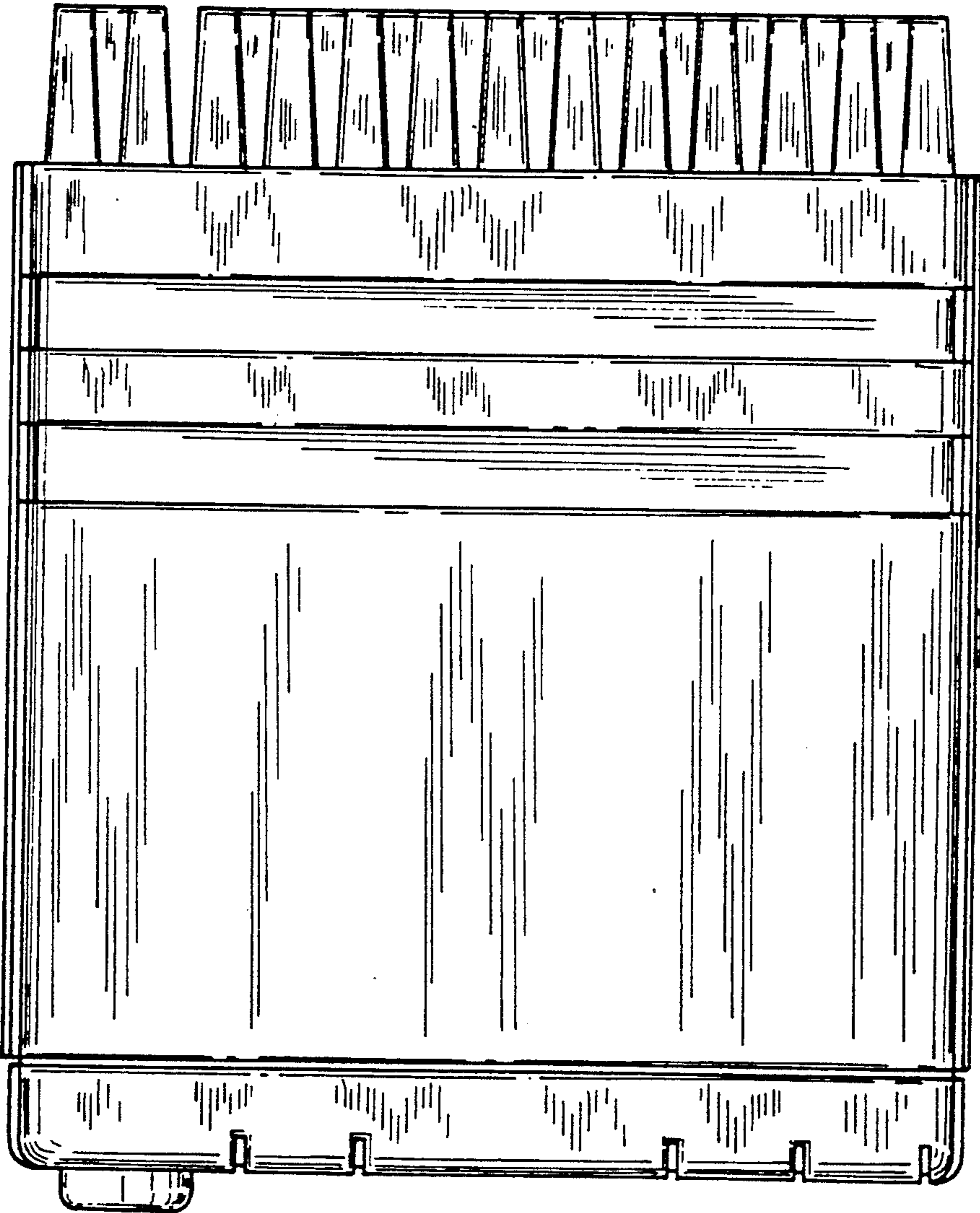


FIG. 4

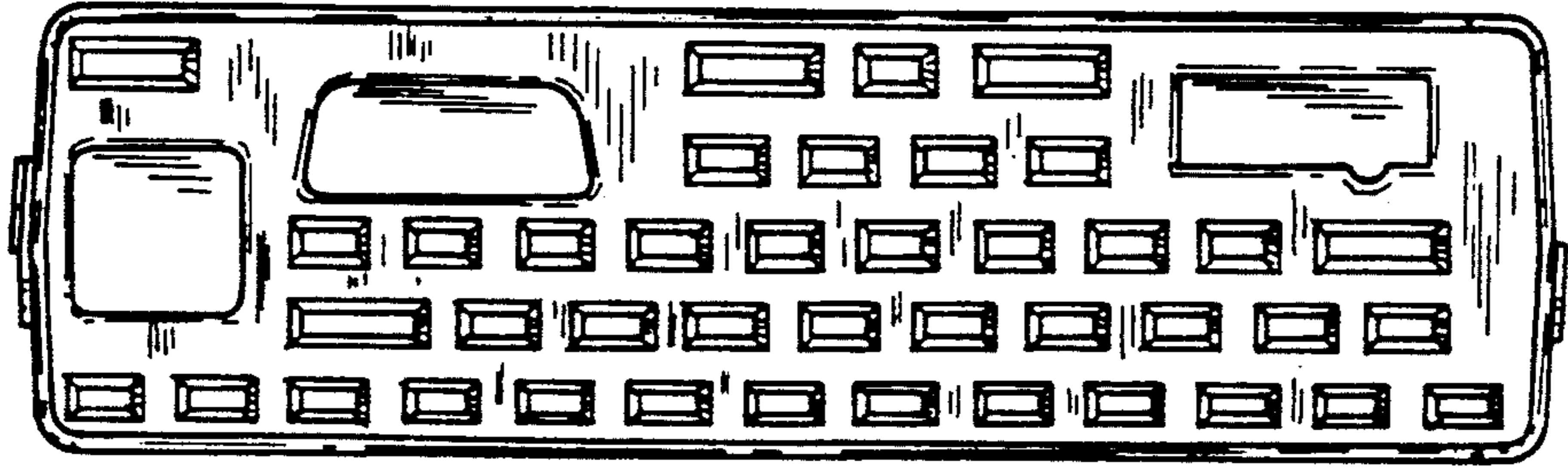


FIG. 3

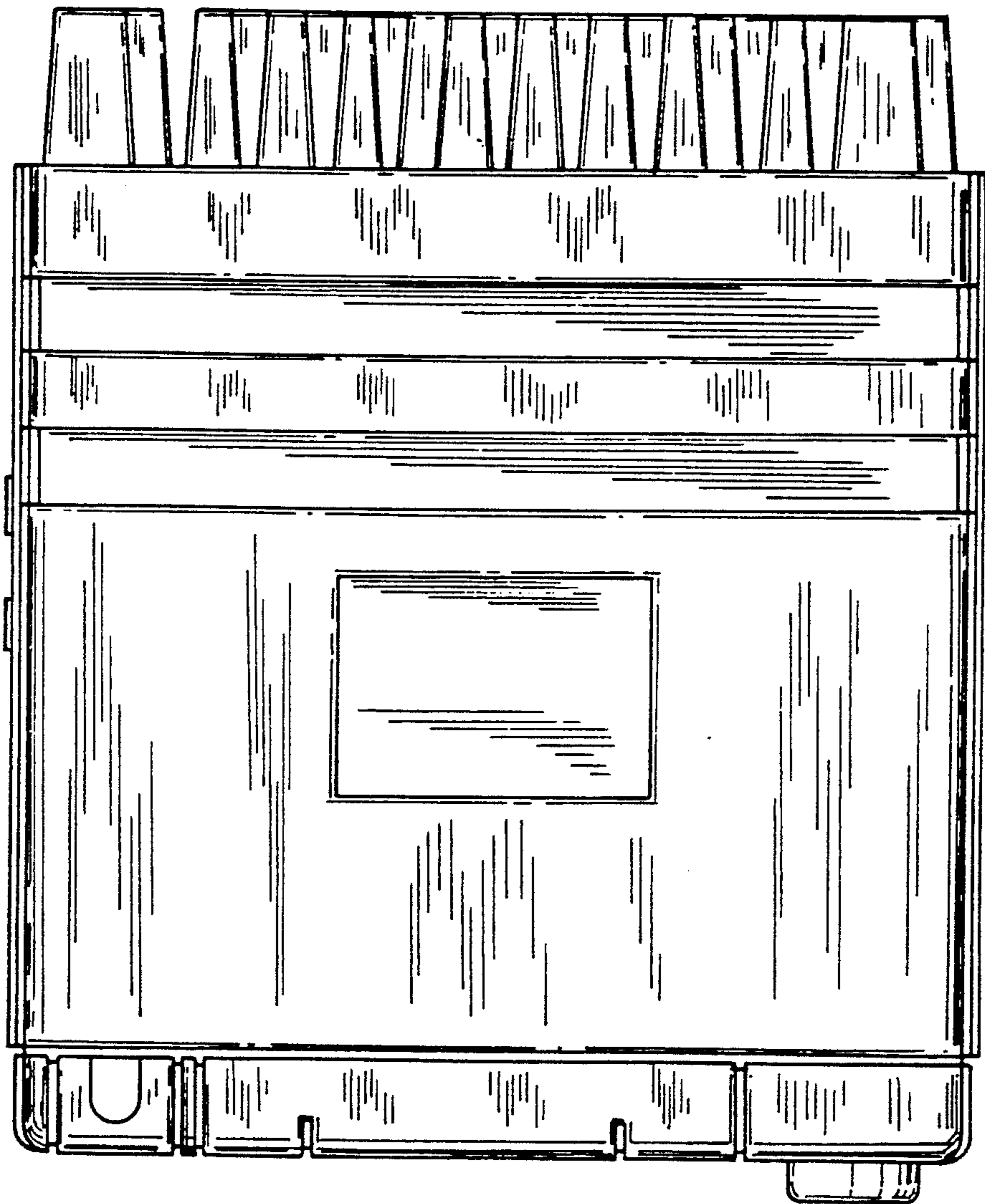


FIG. 5

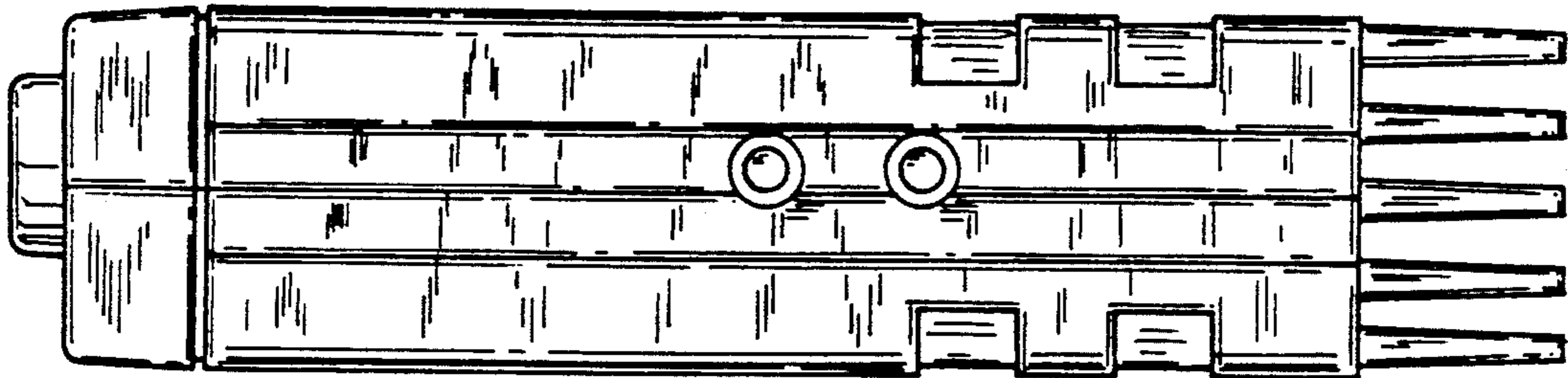


FIG. 6

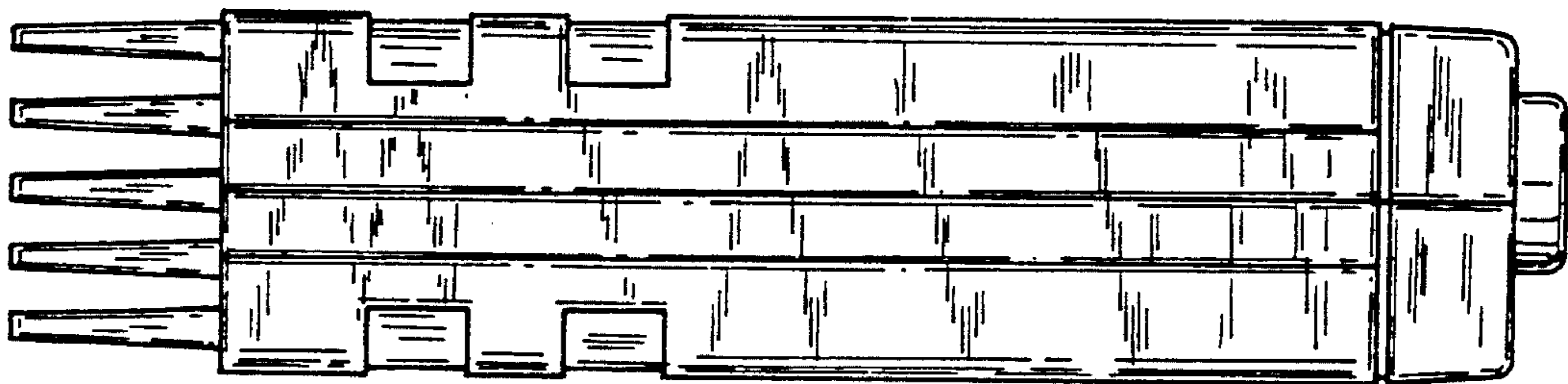


FIG. 7