



US00D331399S

United States Patent [19]

[11] Patent Number: **Des. 331,399**

Blankenship et al.

[45] Date of Patent: **** Dec. 1, 1992**

[54] **FRONT PANEL FOR DIGITAL COMMUNICATIONS PERIPHERALS**

D. 314,953 2/1991 Welch D14/115

[75] Inventors: **Lowell E. Blankenship**, Athens;
Gerald H. Click, Huntsville, both of Ala.

OTHER PUBLICATIONS

Universal Data Systems, Inc. Advertising brochure. v. 3225 Modem.
Integrated Network Corp. Jan. 1990 advertisement for CSU/DSU model 1056E shown in Data Communications.

[73] Assignee: **Universal Data Systems, Inc.**, Huntsville, Ala.

Primary Examiner—Wallace R. Burke
Assistant Examiner—Freda S. Nunn
Attorney, Agent, or Firm—Wayne J. Egan

[**] Term: **14 Years**

[21] Appl. No.: **531,282**

[57] CLAIM

[22] Filed: **May 31, 1990**

The ornamental design for a front panel for digital communications peripherals, as shown and described.

[52] U.S. Cl. **D14/115**

[58] Field of Search D14/100, 102, 109, 115;
D13/162, 163, 177, 184, 199; 360/97.01-99.12;
361/380-385, 390-395

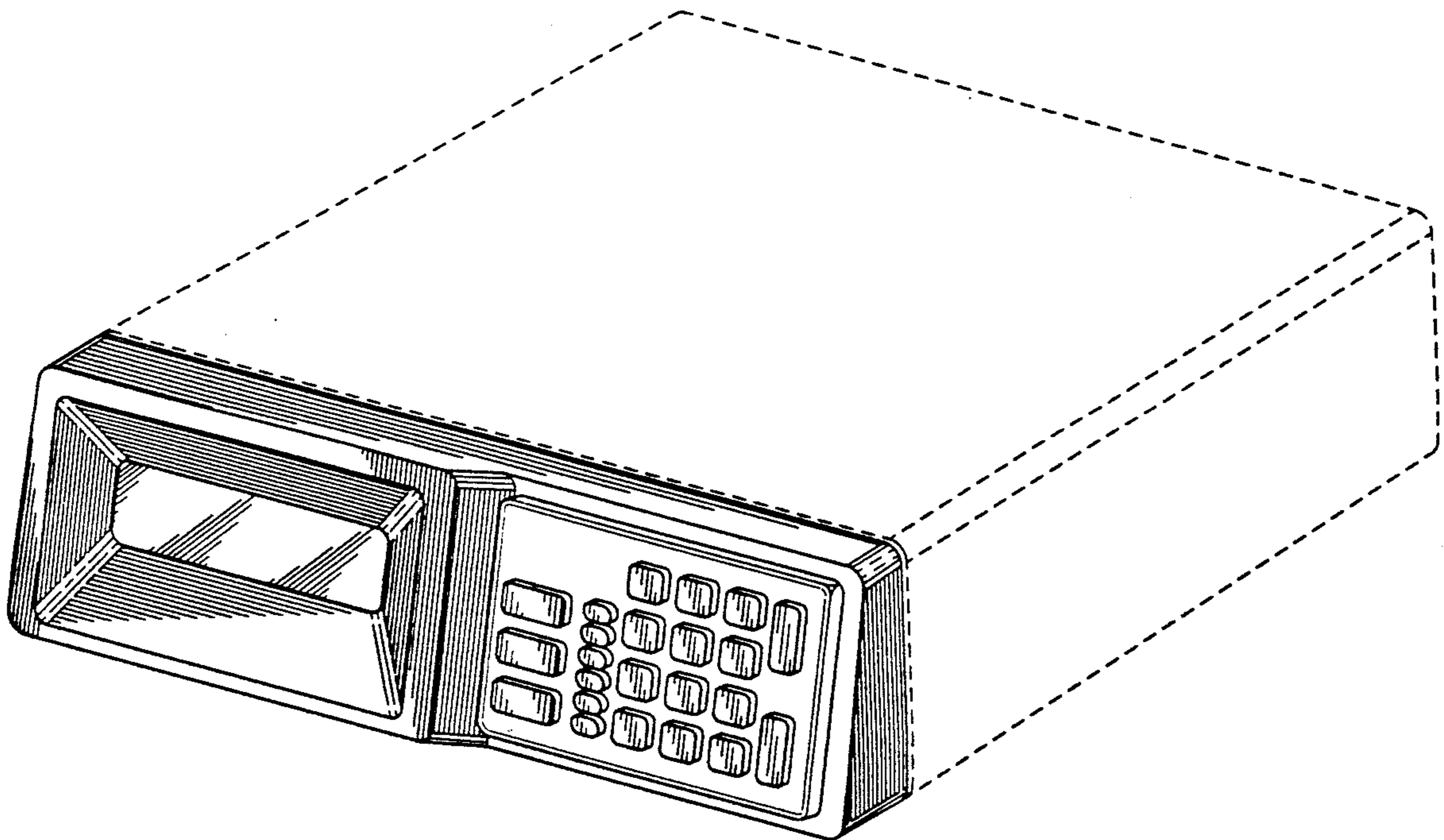
DESCRIPTION

[56] References Cited

U.S. PATENT DOCUMENTS

- D. 293,443 12/1987 Davis et al. D14/100
- D. 313,982 1/1991 Eilert et al. D14/115
- D. 314,568 2/1991 Martin D14/115

FIG. 1 is a top front and right side perspective view of a front panel for digital communications peripherals showing our new design, the housing being shown in broken lines for illustrative purposes only and forms no part of the claimed design;
FIG. 2 is a left side elevational view thereof; and,
FIG. 3 is a bottom plan view thereof.



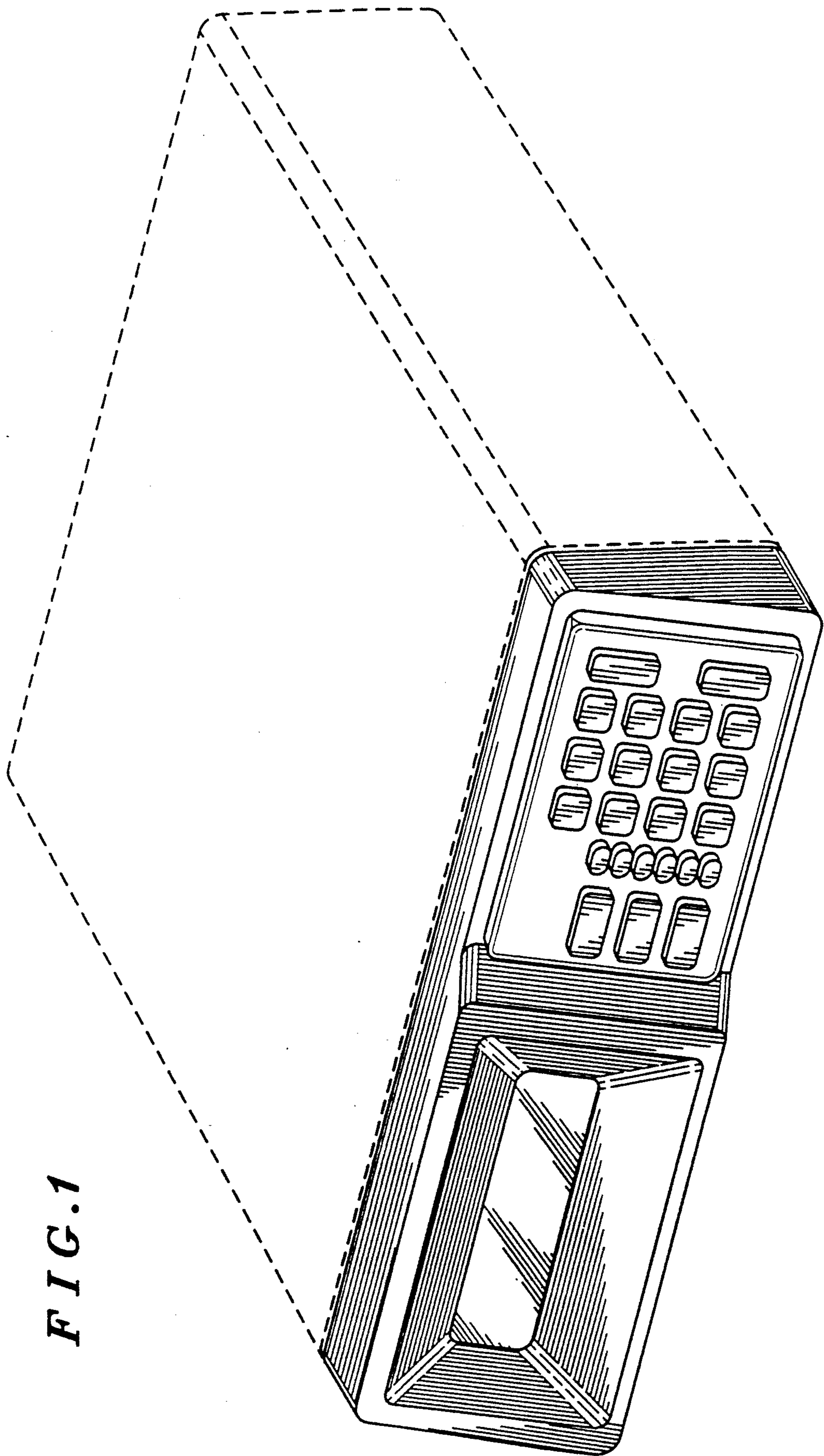


FIG. 1

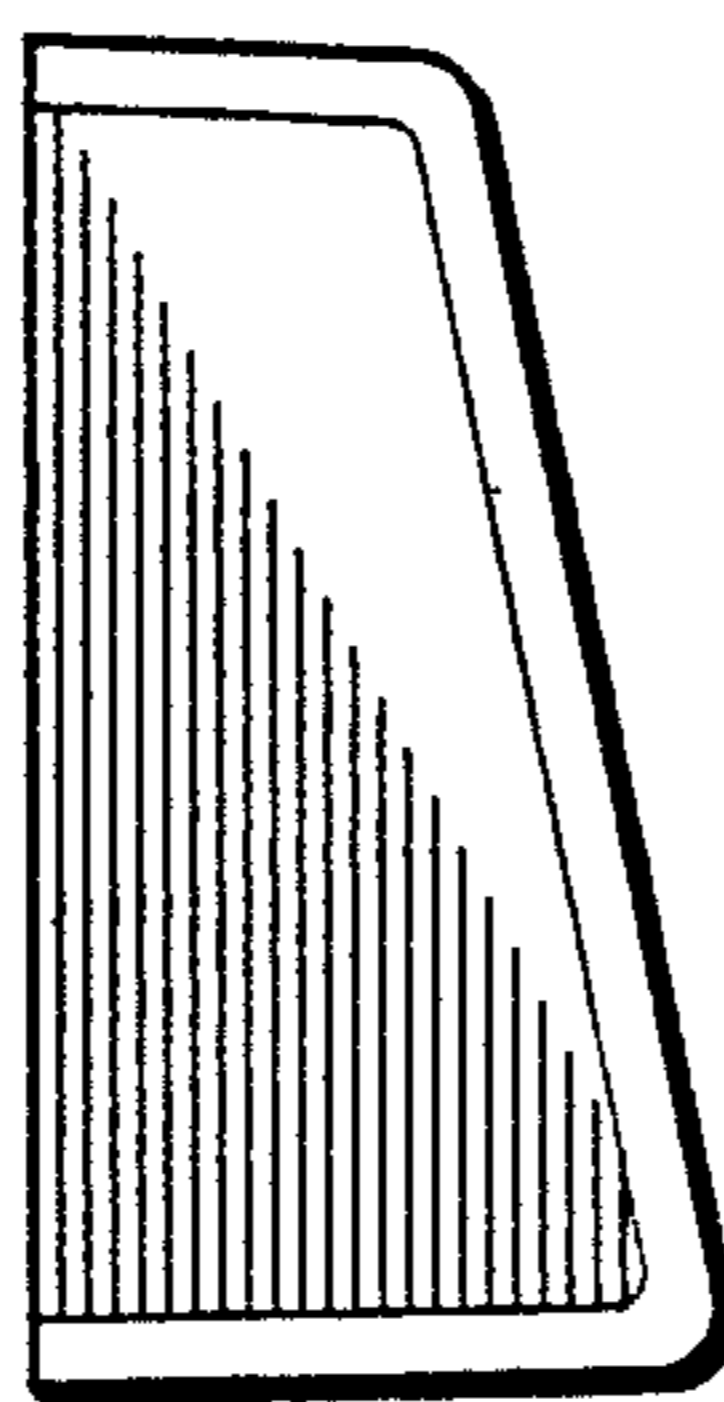


FIG. 2

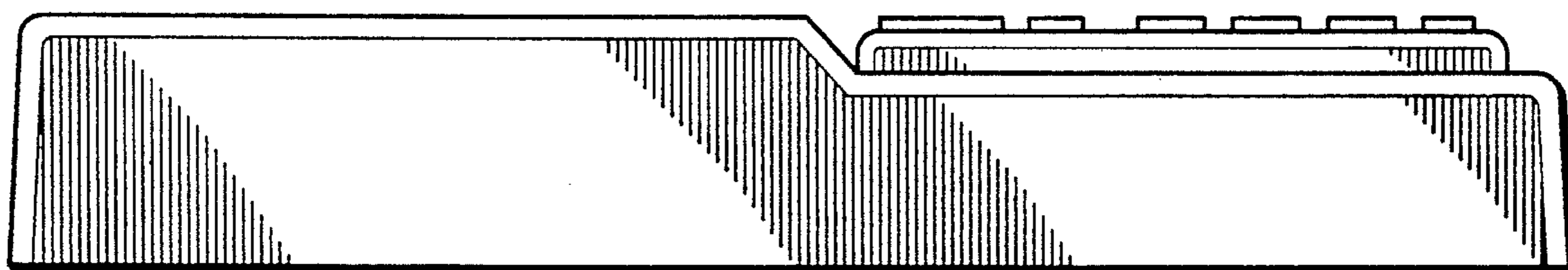


FIG. 3