



US00D331398S

# United States Patent [19]

[11] Patent Number: **Des. 331,398**

Clouss et al.

[45] Date of Patent: **\*\* Dec. 1, 1992**

[54] **TRACK BALL**

4,862,165 8/1989 Gast ..... D14/114 X  
4,952,919 8/1990 Nippoldt ..... D14/114 X

[75] Inventors: **Richard Clouss**, San Jose; **Daniel Harden**, Palo Alto, both of Calif.;  
**Tino Melzer**, Kreuzlingen, Switzerland

**OTHER PUBLICATIONS**

Businessland catalog item Kensington Turbo Mouse, p. 22, 1988.

[73] Assignee: **Logitech, Inc.**, Fremont, Calif.

*Primary Examiner*—Wallace R. Burke  
*Assistant Examiner*—M. H. Tung  
*Attorney, Agent, or Firm*—Townsend and Townsend

[\*\*] Term: **14 Years**

[21] Appl. No.: **786,877**

[57] **CLAIM**

[22] Filed: **Oct. 30, 1991**

The ornamental design for a track ball, as shown and described.

[52] U.S. Cl. .... **D14/114**

[58] Field of Search ..... D14/114, 116; D13/158;  
D21/48; 200/5 R, 5 A, 6 R, 6 A; 273/148 B;  
340/707, 709-710; 74/471 XY

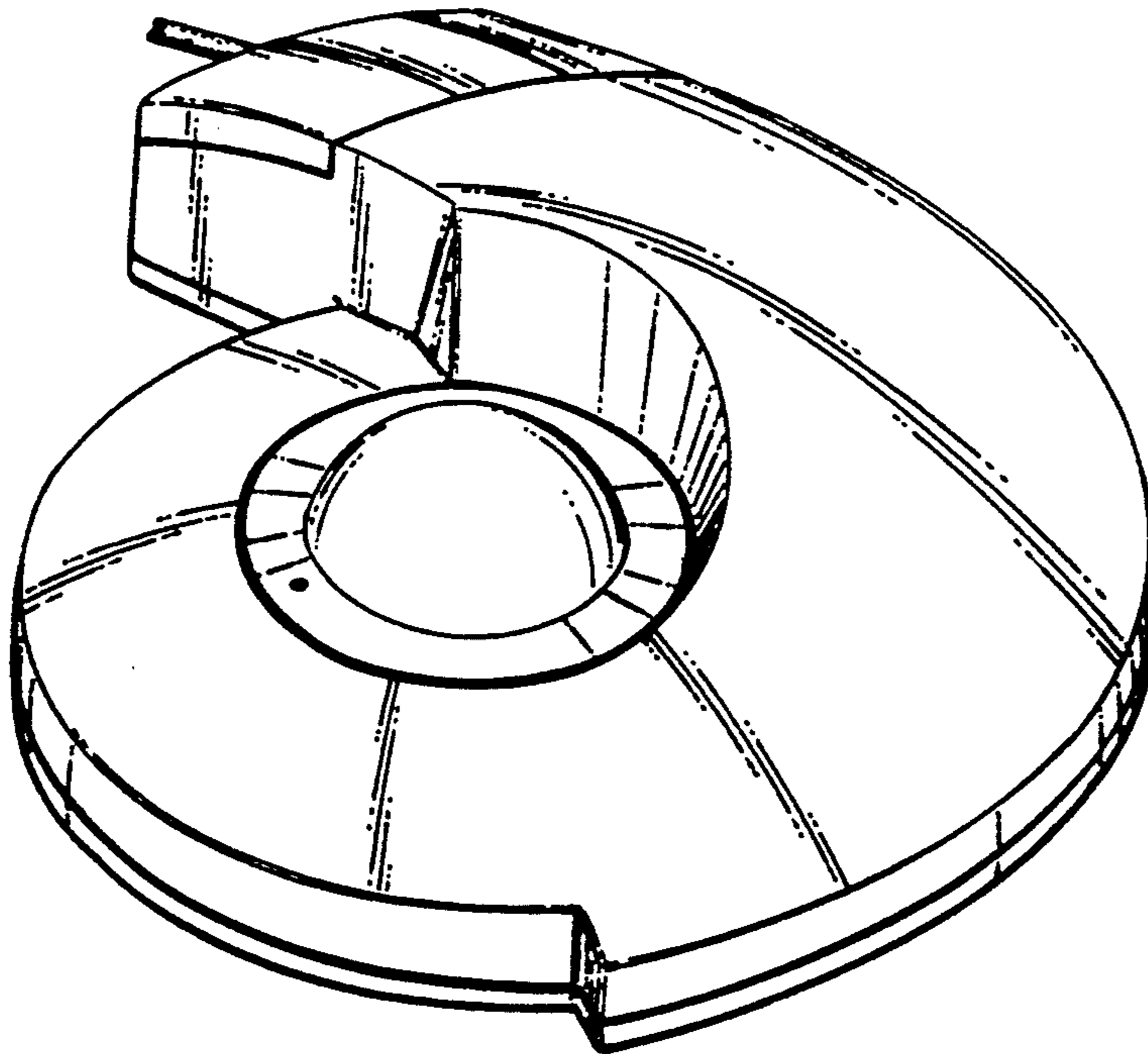
**DESCRIPTION**

[56] **References Cited**

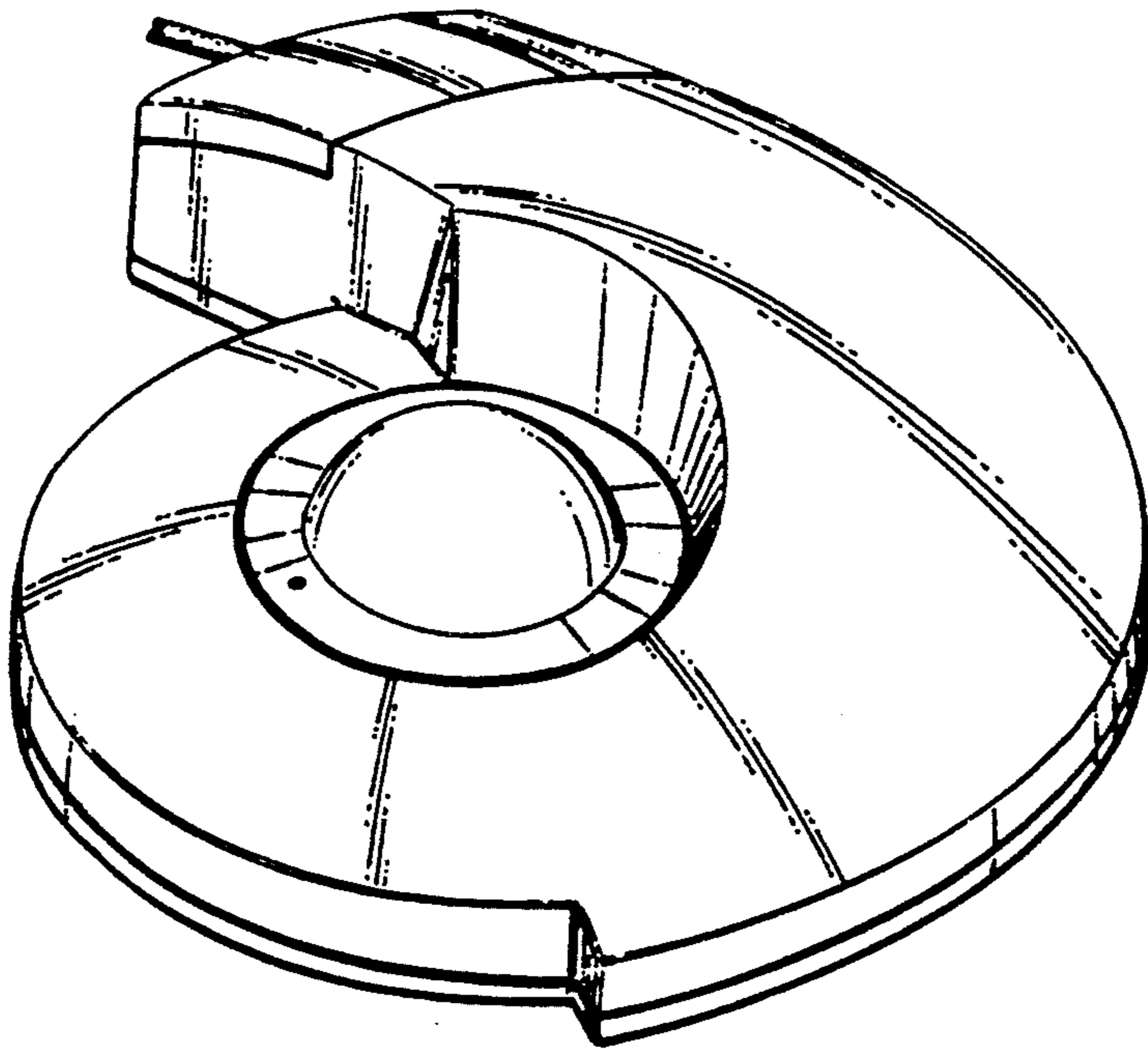
**U.S. PATENT DOCUMENTS**

D. 272,921 3/1984 Kim ..... D14/114 X  
D. 289,306 4/1987 Burnstein et al. .... D14/114 X  
D. 326,261 5/1992 Ashmun et al. .... D14/114  
4,538,476 9/1985 Luge ..... 273/148 B X

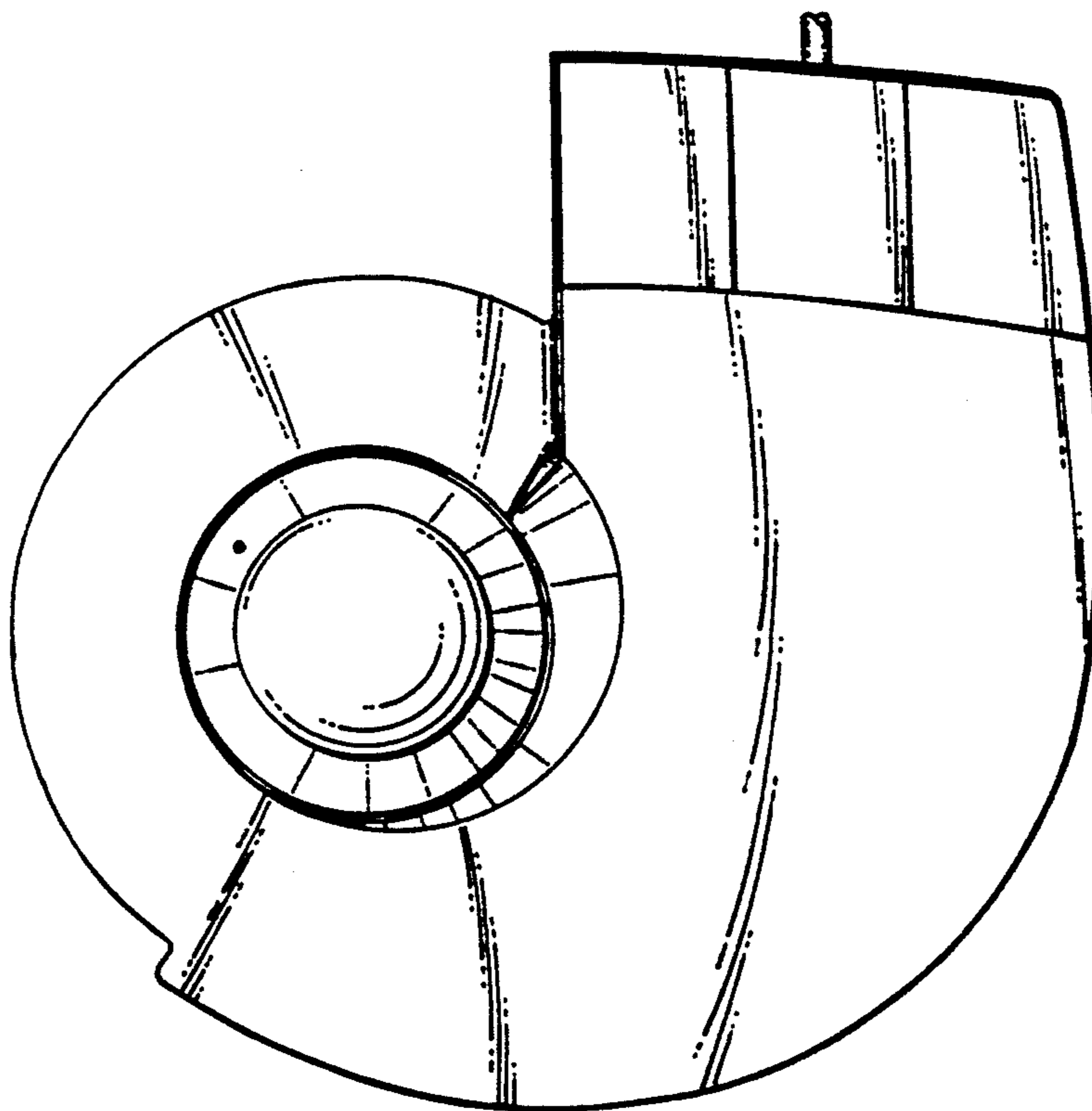
FIG. 1 is a perspective view of a track ball showing my new design;  
FIG. 2 is a top plan view thereof;  
FIG. 3 is front elevational view thereof;  
FIG. 4 is a right side elevational view thereof;  
FIG. 5 is a left side elevational view thereof;  
FIG. 6 is a rear elevational view thereof; and,  
FIG. 7 is a bottom plan view thereof.



**FIG. 1.**



**FIG. 2.**



**FIG. 3.**

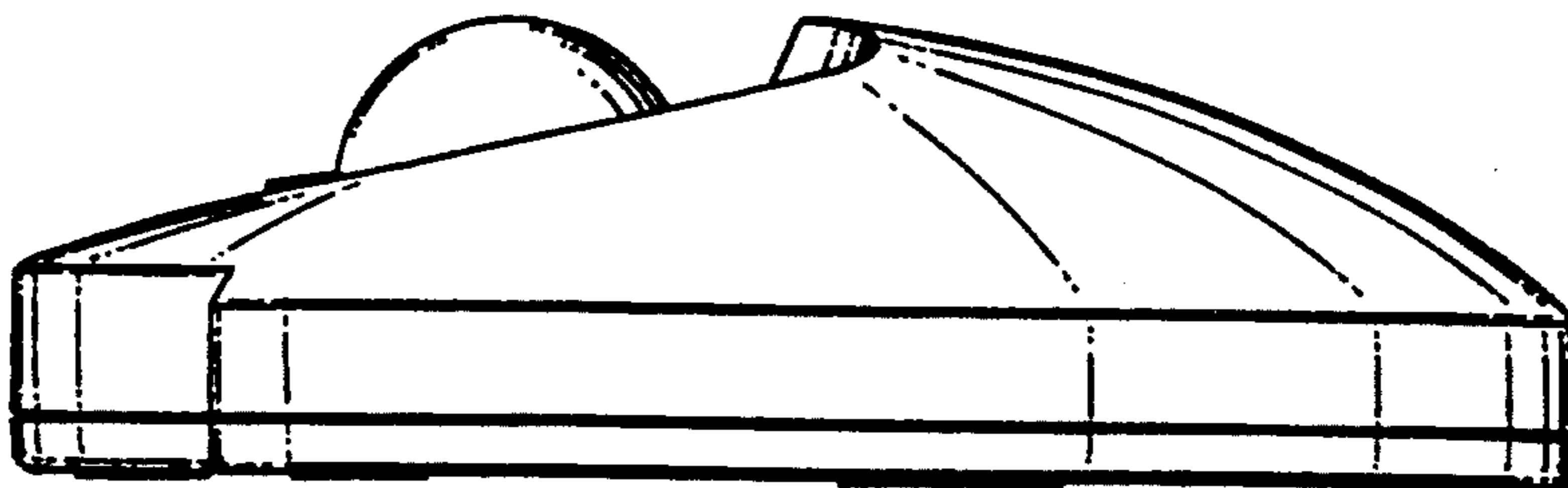


FIG. 4.

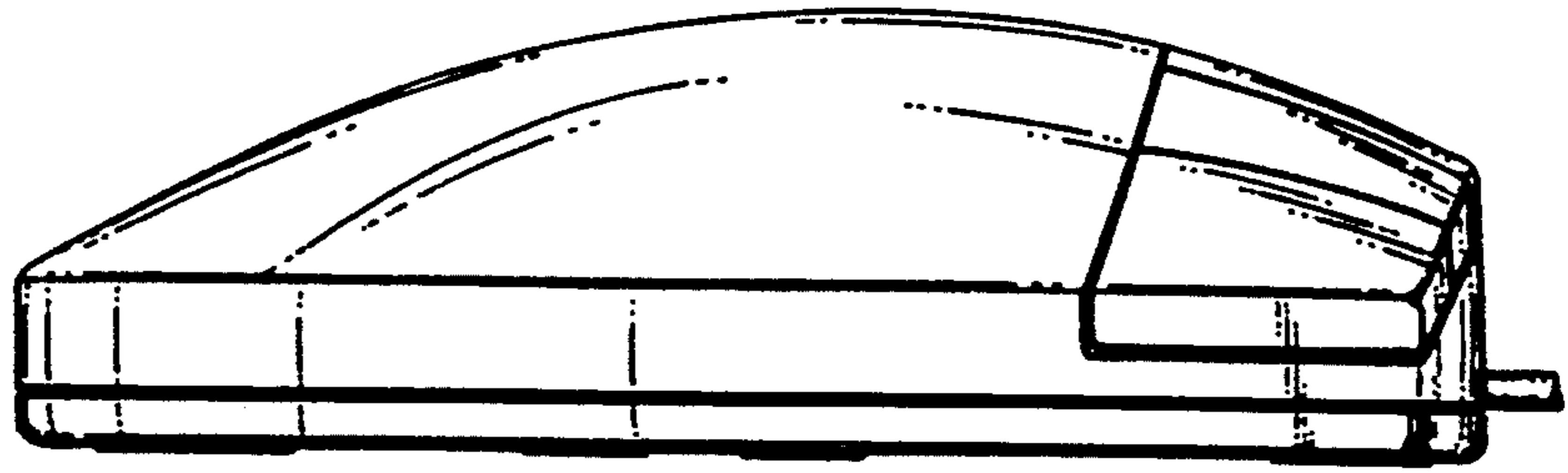


FIG. 5.

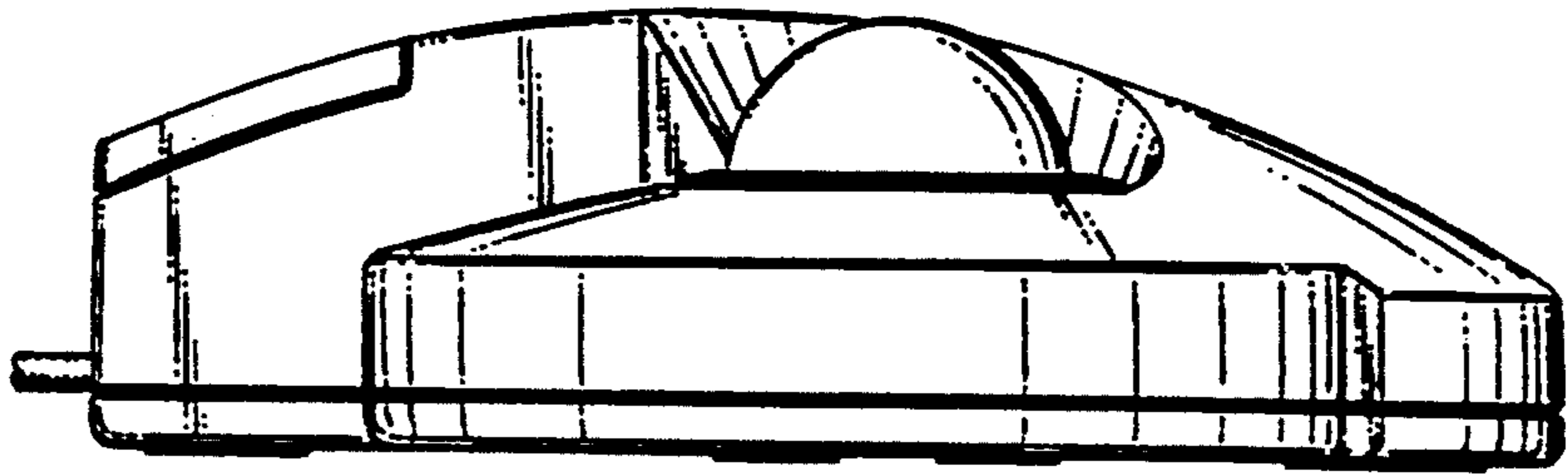


FIG. 6.

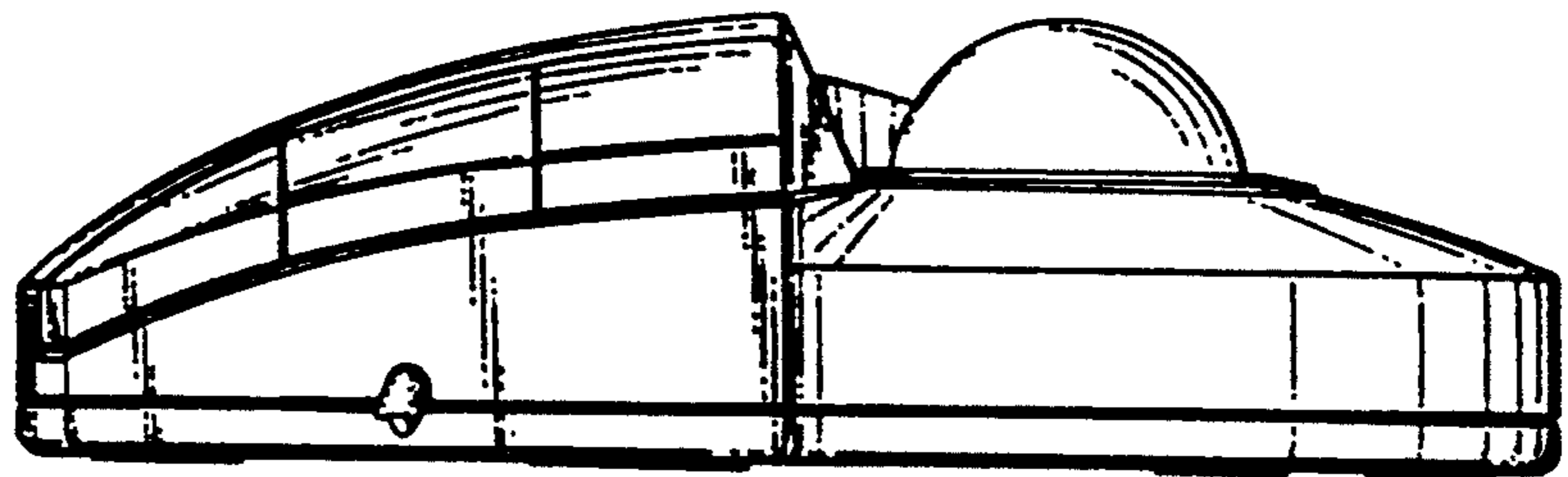


FIG. 7.

