



US00D331397S

United States Patent [19]

[11] Patent Number: **Des. 331,397**

Howitt et al.

[45] Date of Patent: **** Dec. 1, 1992**

[54] ANTI-GLARE MONITOR FILTER HOLDER

[75] Inventors: **Robert Howitt, Leominster, Mass.;
Edward L. Hames, Peterborough,
N.H.**

[73] Assignee: **Curtis Manufacturing Company, Inc.,
Jaffrey, N.H.**

[**] Term: **14 Years**

[21] Appl. No.: **706,078**

[22] Filed: **May 28, 1991**

D. 298,250	10/1988	Kildall	D14/114
D. 298,604	11/1988	Newton	D8/354 X
D. 309,607	7/1990	Nemeth	D14/114
1,470,553	10/1923	Church	248/293 X
4,577,928	3/1986	Brown	359/609 X
4,958,907	9/1990	Davis	359/809

Primary Examiner—Wallace R. Burke
Assistant Examiner—M. H. Tung
Attorney, Agent, or Firm—Richard P. Crowley

[57] CLAIM

The ornamental design for an anti-glare monitor filter holder, as shown and described.

Related U.S. Application Data

[63] Continuation-in-part of Ser. No. 677,143, Mar. 29, 1991.

[52] U.S. Cl. **D14/114**

[58] Field of Search D14/239, 113-114;
D18/12; 358/64, 231, 250, 252, 255; 359/601,
608-610, 614, 599, 894; 298/316.1, 316.5, 316.7,
298, 917-924; D16/135; D8/354, 373

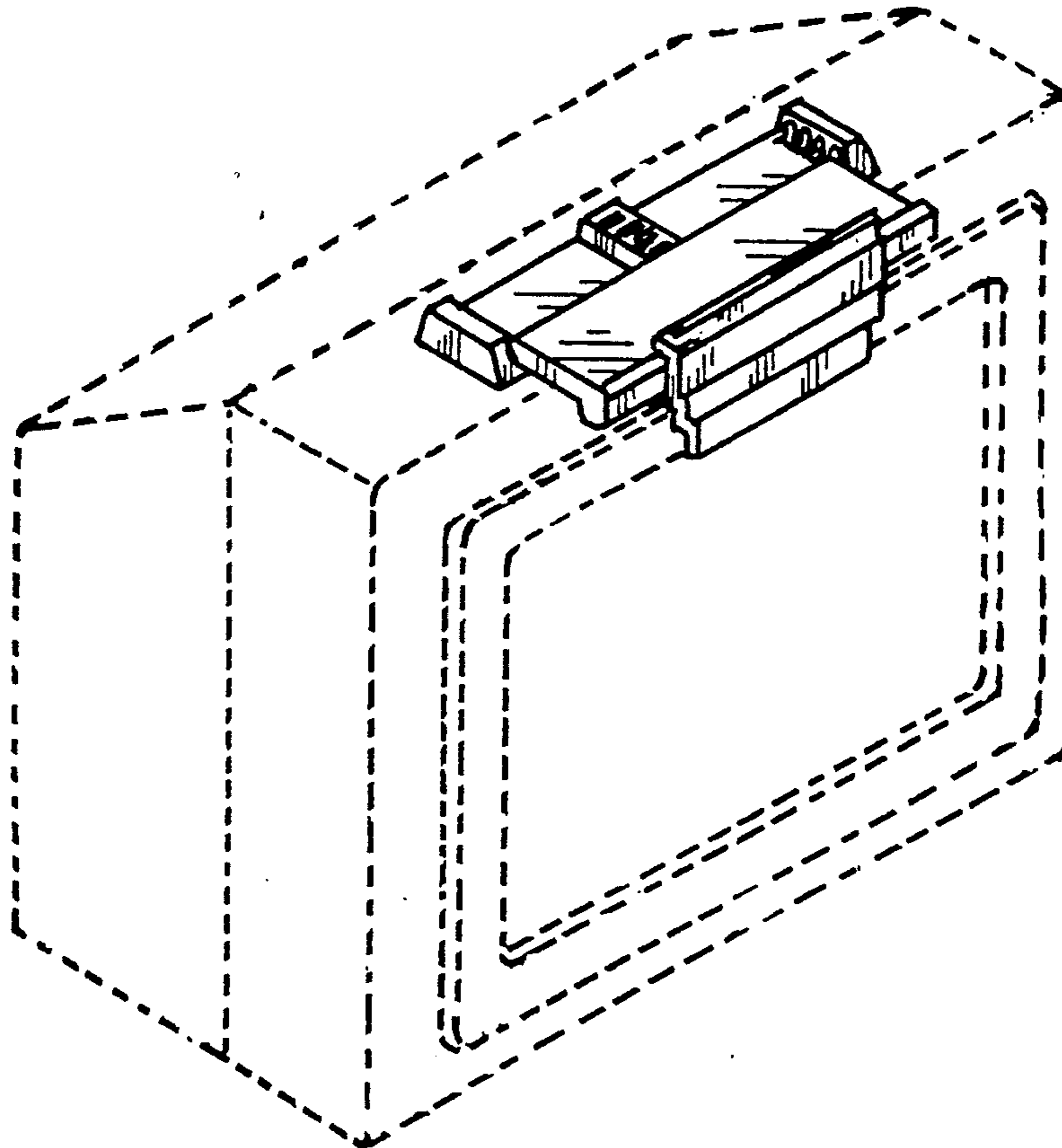
[56] References Cited

U.S. PATENT DOCUMENTS

D. 291,279 8/1987 Borgeron D8/354 X

DESCRIPTION

FIG. 1 is a perspective view of an anti-glare monitor filter holder showing our new design, the broken line drawing of a computer terminal is for illustrative purposes only and forms no part of the claimed design; FIG. 2 is a top perspective view thereof; FIG. 3 is a top plan view thereof; FIG. 4 is a front elevational view thereof; FIG. 5 is a side elevational view thereof, the opposite side being a mirror image; FIG. 6 is a rear elevational view thereof; and, FIG. 7 is a bottom plan view thereof.



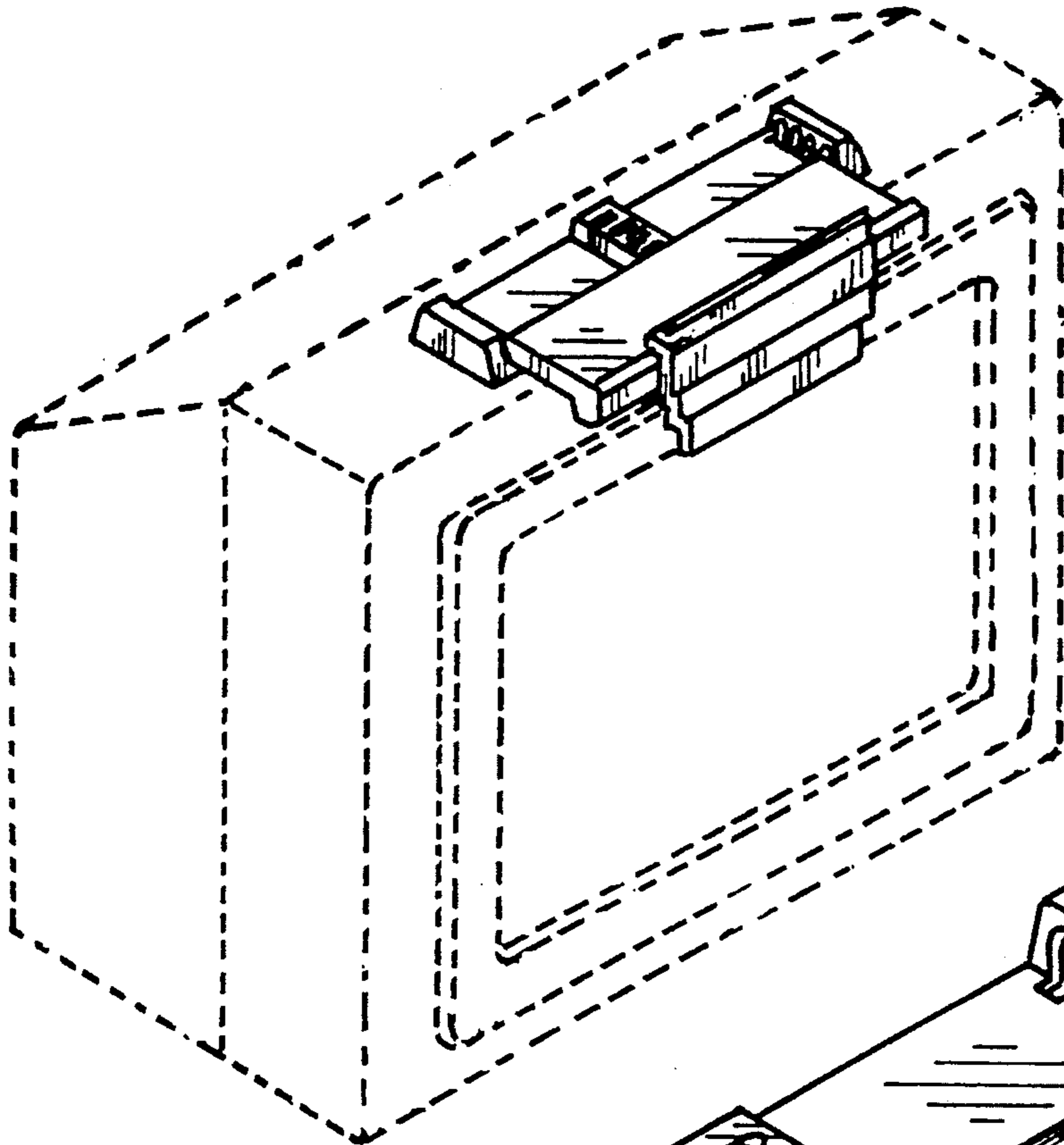


FIG. 1

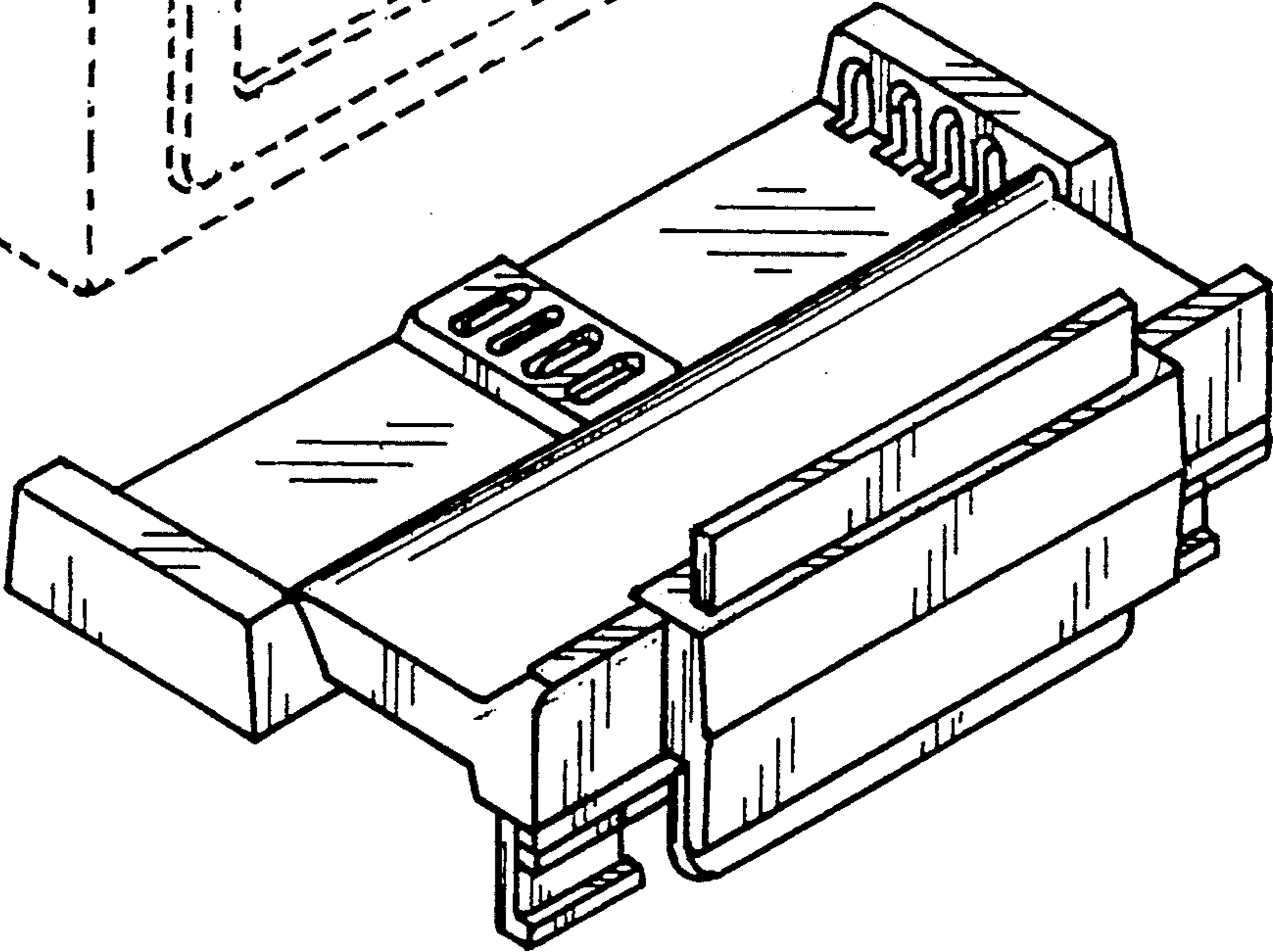


FIG. 2

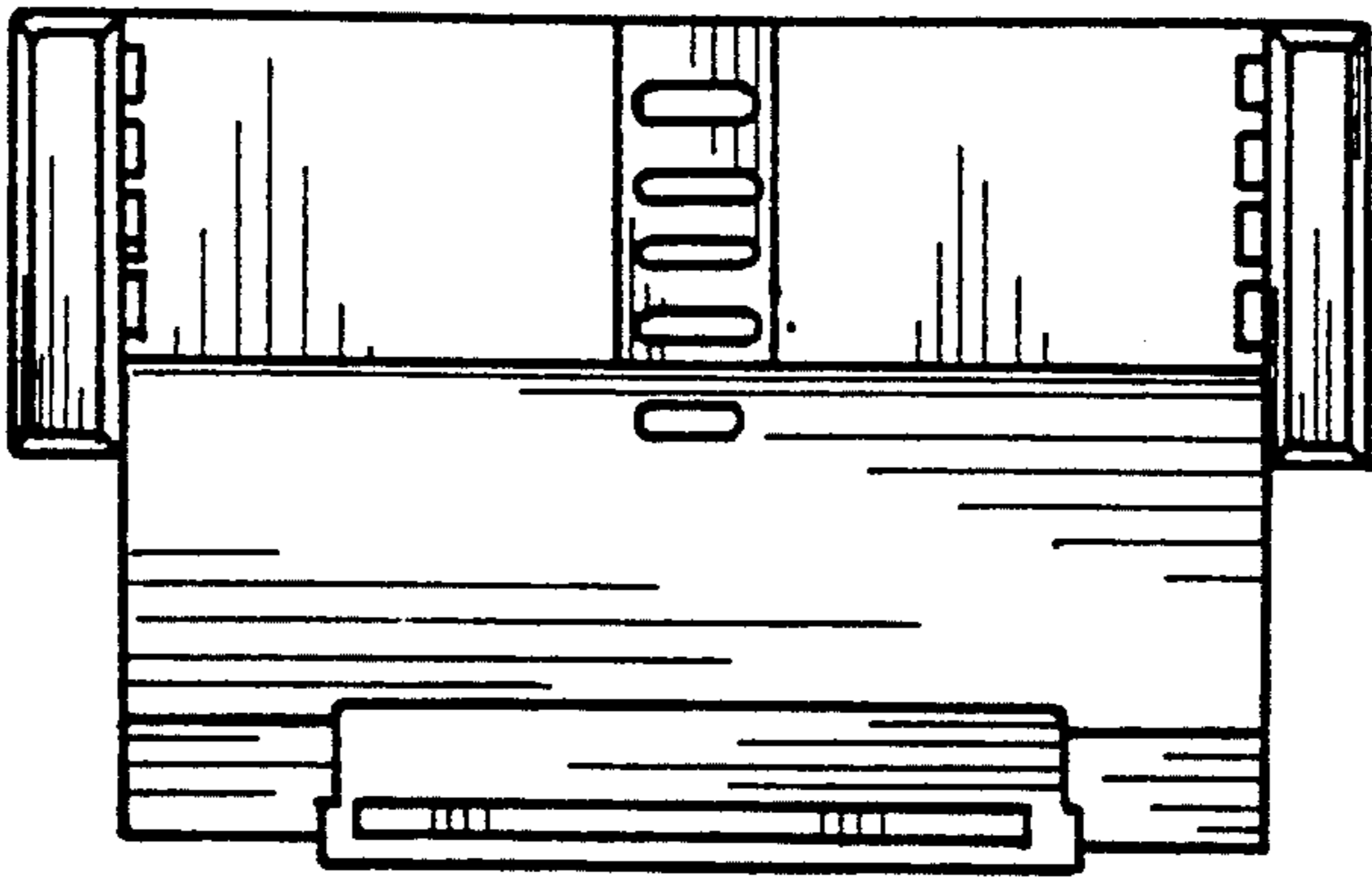


FIG. 3

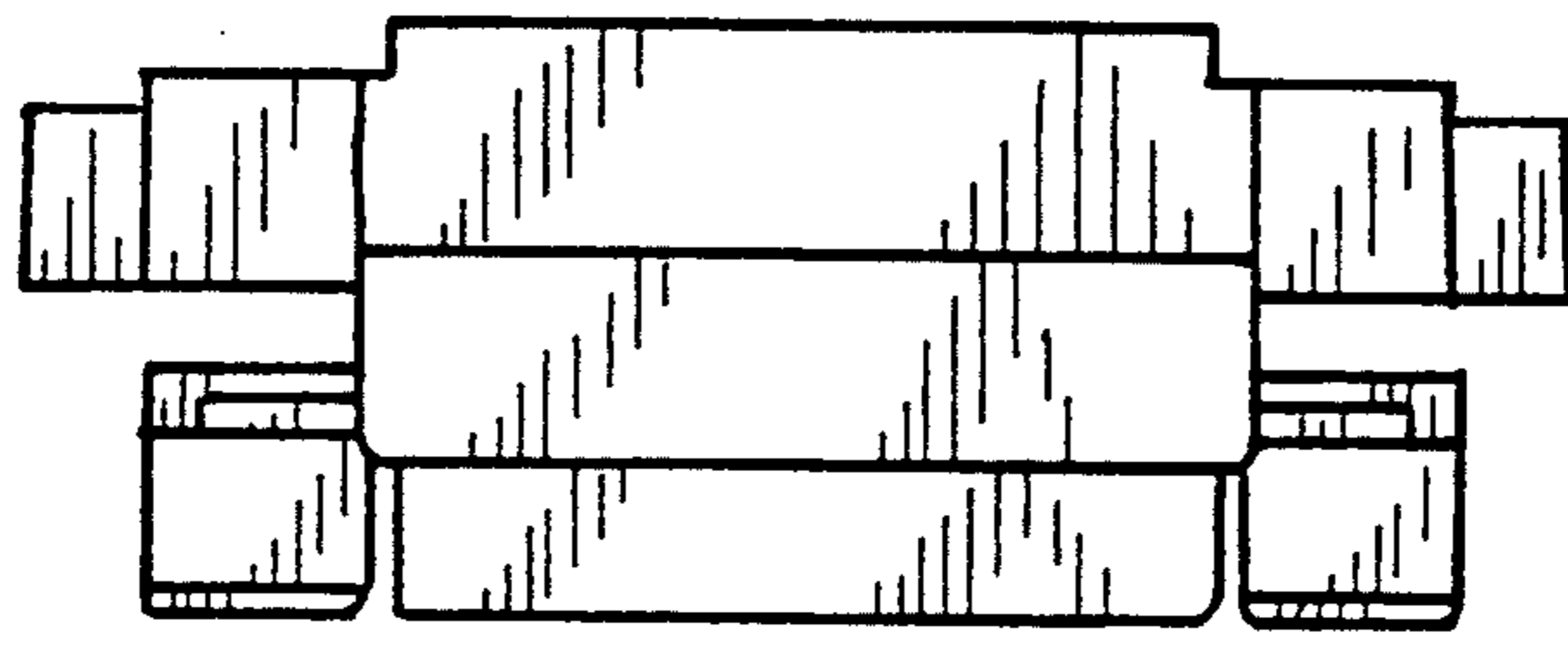


FIG. 4

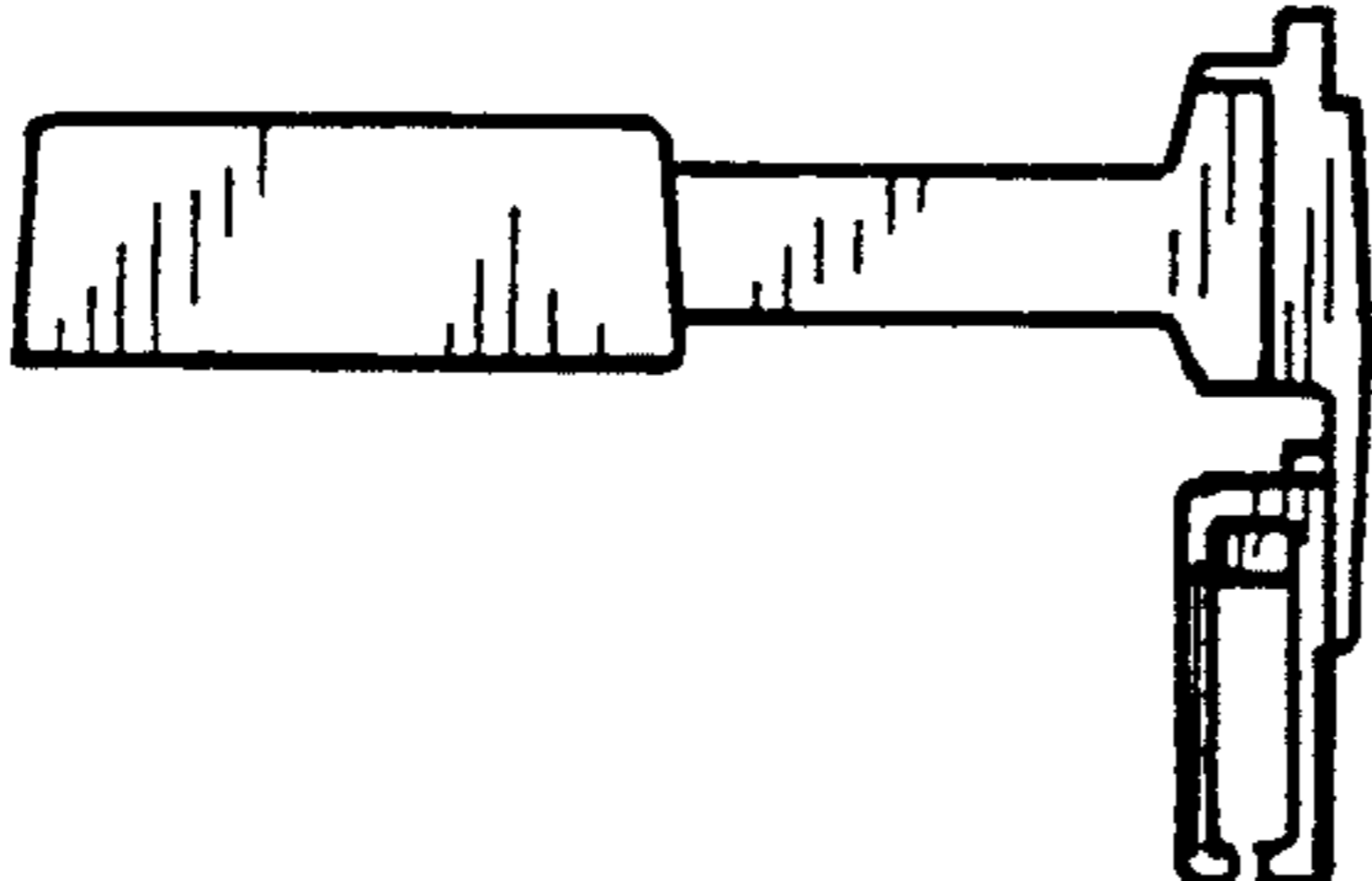


FIG. 5

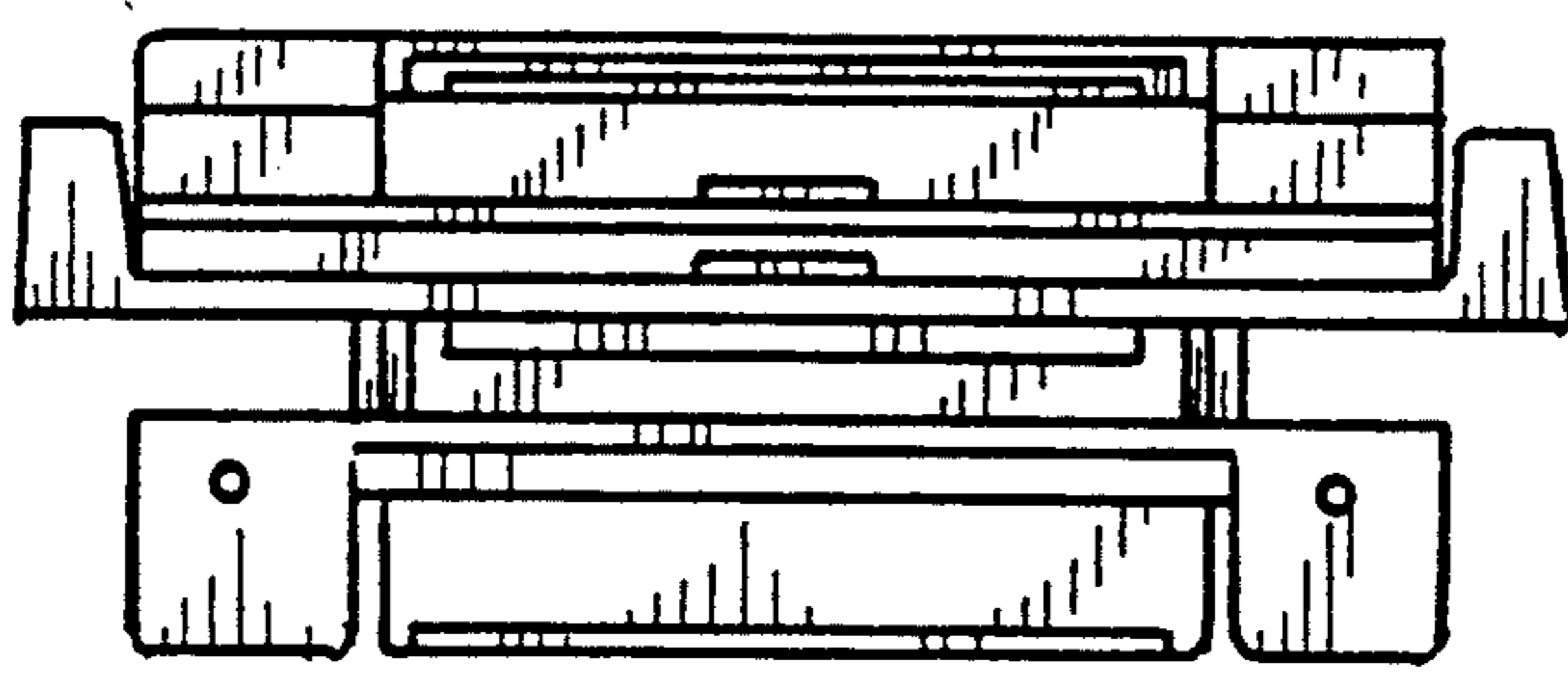


FIG. 6

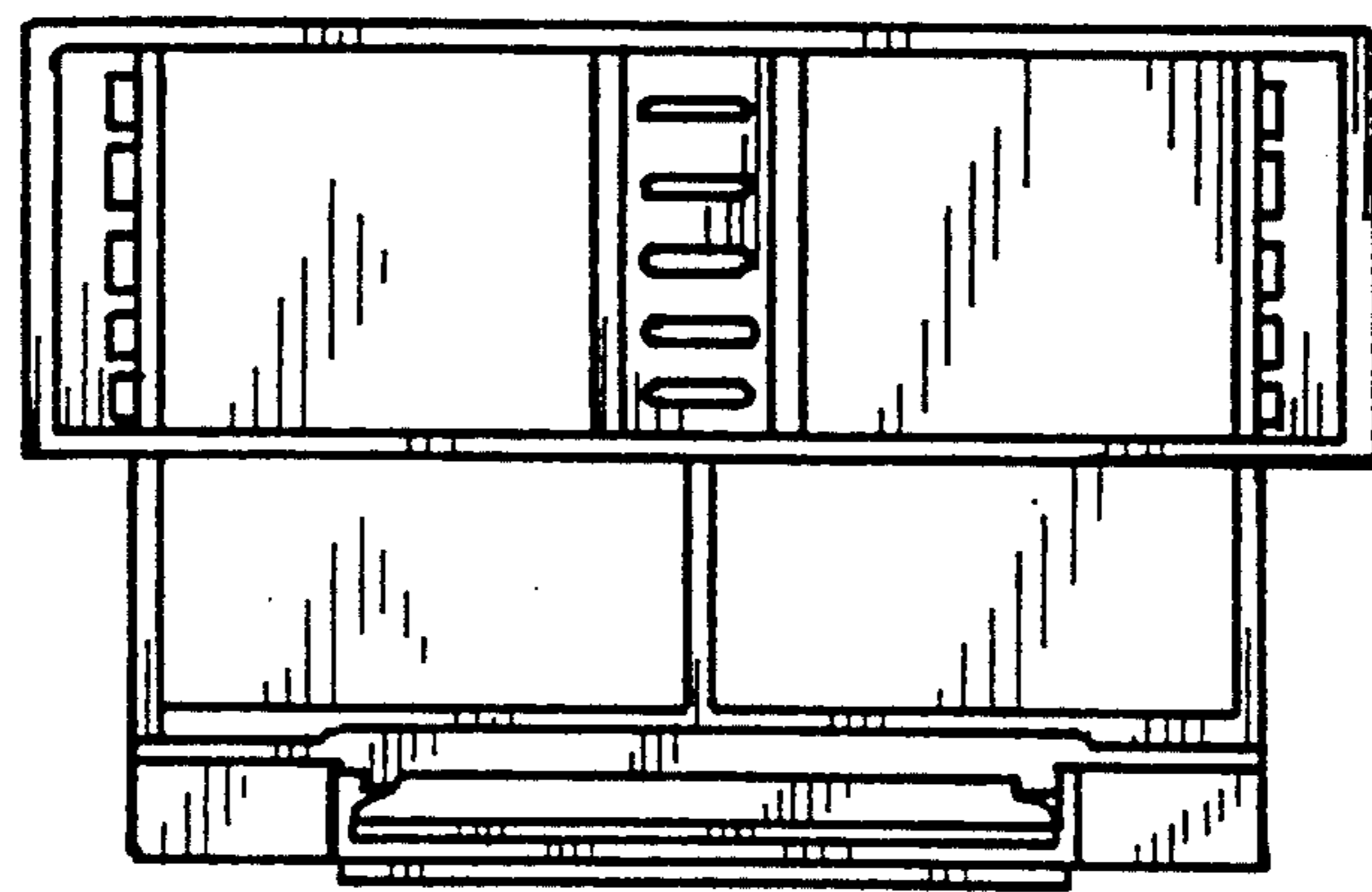


FIG. 7