



US00D331396S

# United States Patent [19]

[11] Patent Number: **Des. 331,396**

**Benck et al.**

[45] Date of Patent: **\*\* Dec. 1, 1992**

[54] **SHIELD FOR ELECTROMAGNETIC RADIATION FOR PERSONAL COMPUTER**

[56] **References Cited**

[75] Inventors: **Jeffrey W. Benck**, Delray Beach;  
**Brian A. Trumbo**, Boynton Beach,  
both of Fla.

### U.S. PATENT DOCUMENTS

4,602,164 7/1986 Gore, III et al. .... 361/394 X  
4,853,790 8/1989 Dickie ..... 174/35 R

[73] Assignee: **International Business Machines Corp.**, Armonk, N.Y.

*Primary Examiner*—Stella Reid  
*Attorney, Agent, or Firm*—Daniel E. McConnell

[\*\*] Term: **14 Years**

[57] **CLAIM**

The ornamental design for the shield for electromagnetic radiation for personal computer, as shown and described.

[21] Appl. No.: **525,435**

### DESCRIPTION

[22] Filed: **May 18, 1990**

FIG. 1 is a right, top, front perspective view of the shield for electromagnetic radiation for personal computer showing our new design;

[52] U.S. Cl. .... **D14/114**

FIG. 2 is a front elevational view thereof;

[58] Field of Search .....: **D14/114; 361/394, 393; 439/95; 315/85; 358/254; 200/305; D18/1; 174/35 R, 356 C**

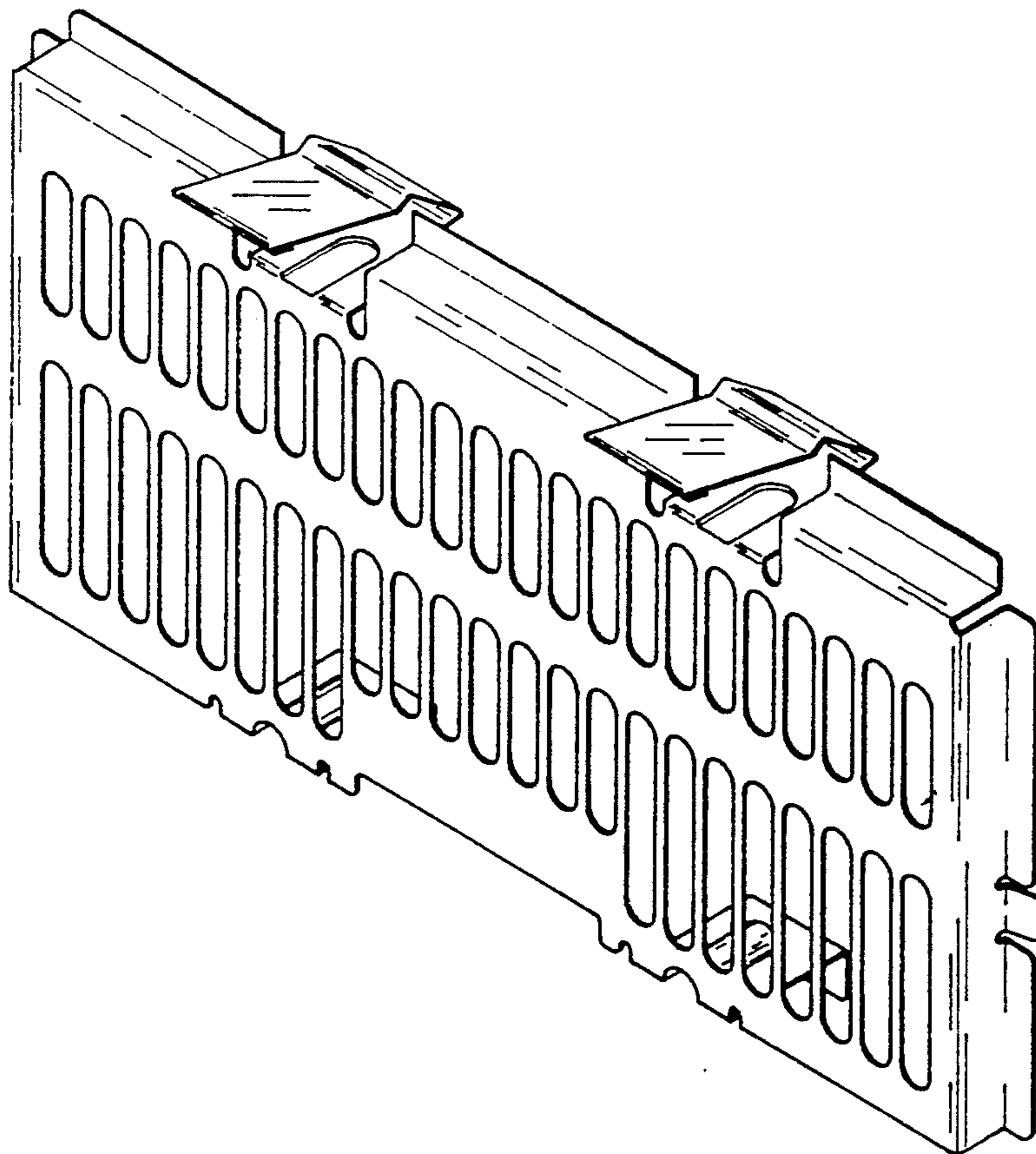
FIG. 3 is a left, top, rear perspective view thereof;

FIG. 4 is a right side elevational view thereof;

FIG. 5 is a rear elevational view thereof; and,

FIG. 6 is a top plan view thereof.

The bottom of the article is substantially plain and unornamented.



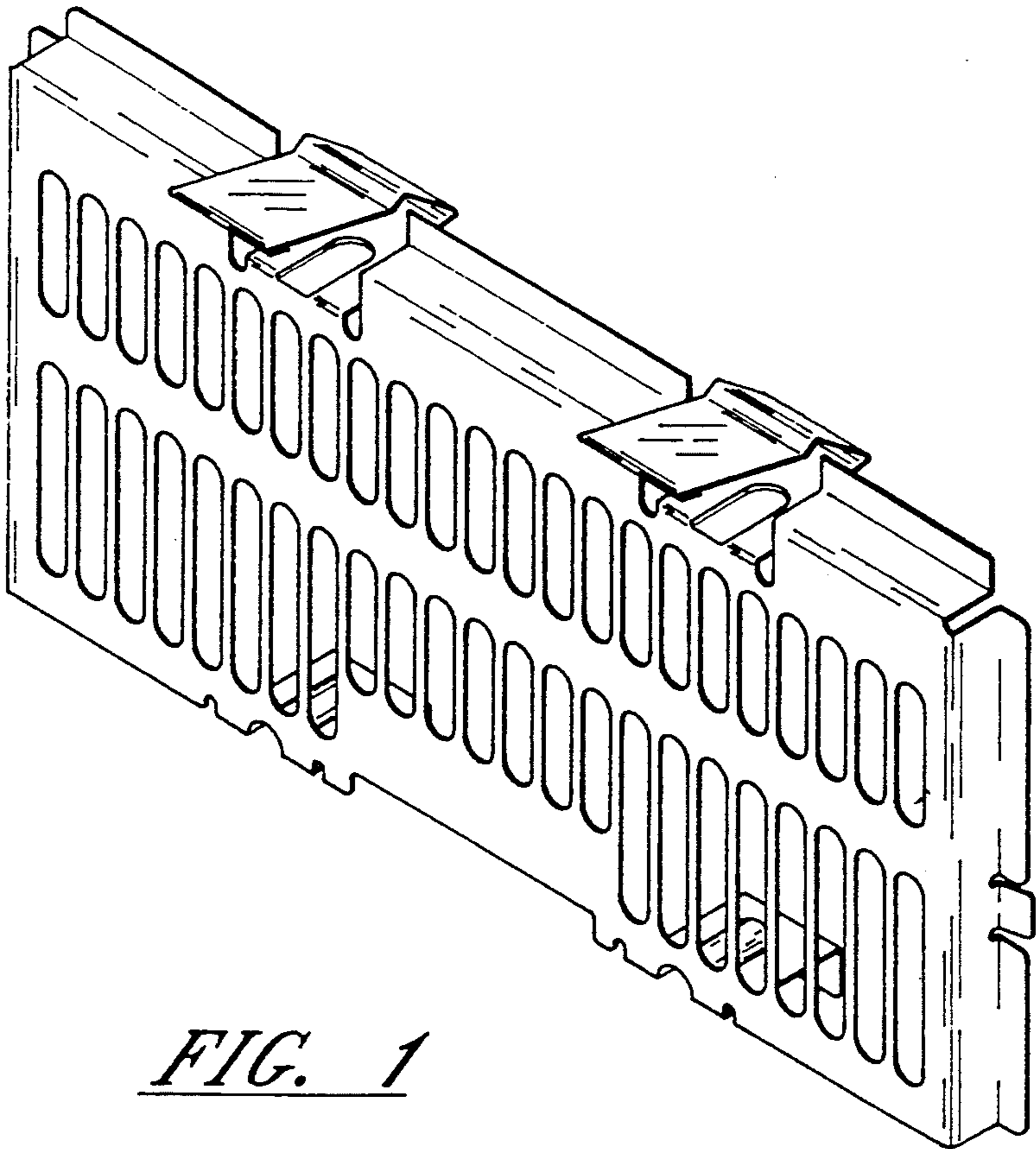


FIG. 1

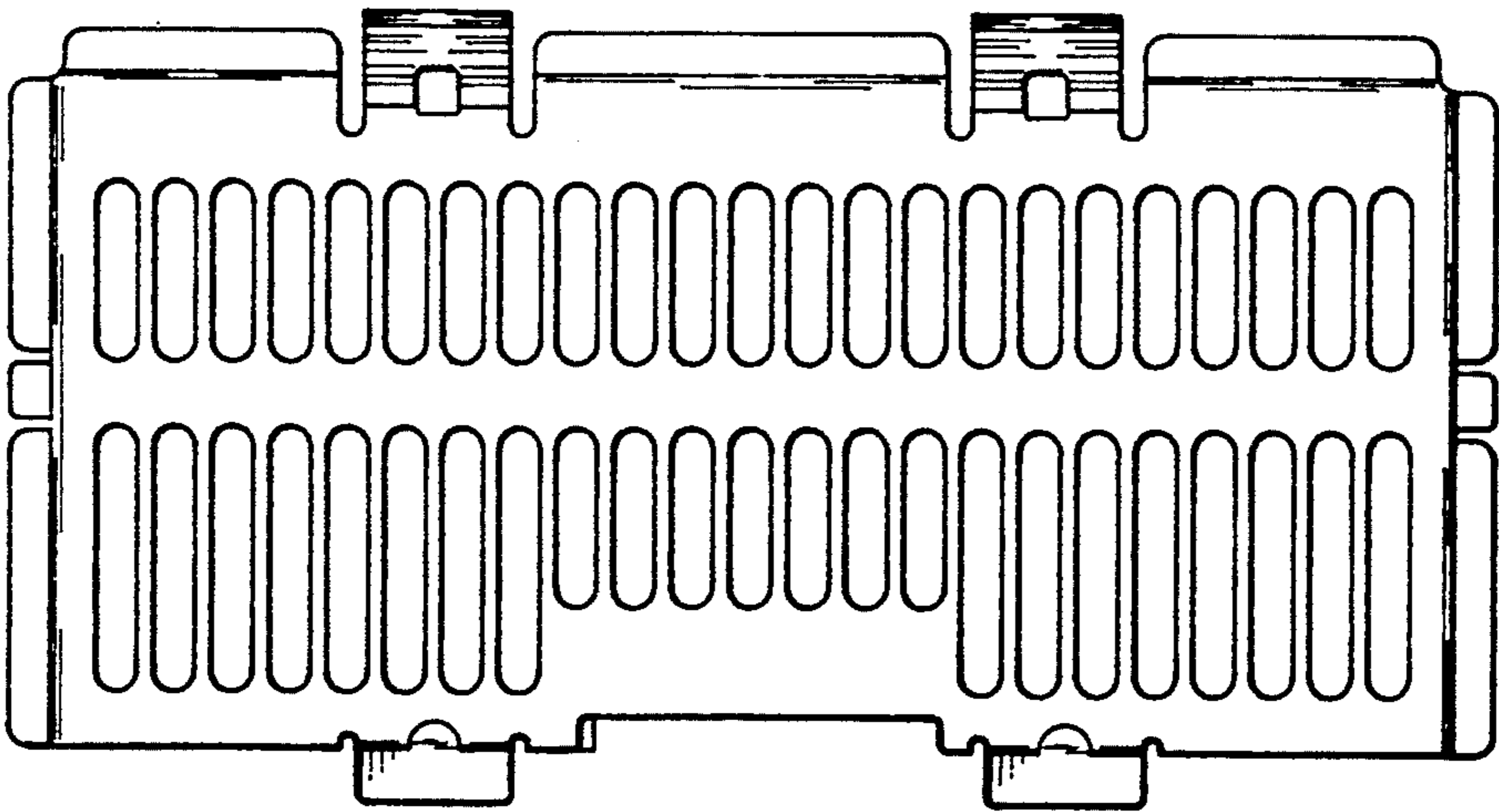


FIG. 2

