



US00D331395S

United States Patent [19]

[11] Patent Number: **Des. 331,395**

Lou

[45] Date of Patent: **** Dec. 1, 1992**

[54] **INTERFACE CONVERTER**

[75] Inventor: **Tony Lou, Taipei, Taiwan**

[73] Assignee: **Aten International Co., Ltd., Taipei, Taiwan**

[**] Term: **14 Years**

[21] Appl. No.: **571,269**

[22] Filed: **Aug. 23, 1990**

[52] U.S. Cl. **D14/107; D13/147**

[58] Field of Search **D13/147; D14/100, 107, D14/242, 114; 439/610, 620; 375/8**

Inmac RS-232 interface on p. 38 of *Inmac Catalog* Jan. 1988.

Line driver on p. 120 of *Misco Catalog* Winter 1988.

RS-232 interface on p. 45 of *Patton Electronics Co. Catalog* #9.

Primary Examiner—Susan V. Lucas

Assistant Examiner—Joel Sincavage

Attorney, Agent, or Firm—Longacre & White

[57] **CLAIM**

The ornamental design for an interface converter, as shown.

DESCRIPTION

FIG. 1 is a perspective view of an interface converter showing my new design;

FIG. 2 is a front elevational view thereof;

FIG. 3 is a rear elevational view thereof;

FIG. 4 is a left side elevational view thereof;

FIG. 5 is a right side elevational view thereof;

FIG. 6 is a top plan view thereof; and,

FIG. 7 is a bottom plan view thereof.

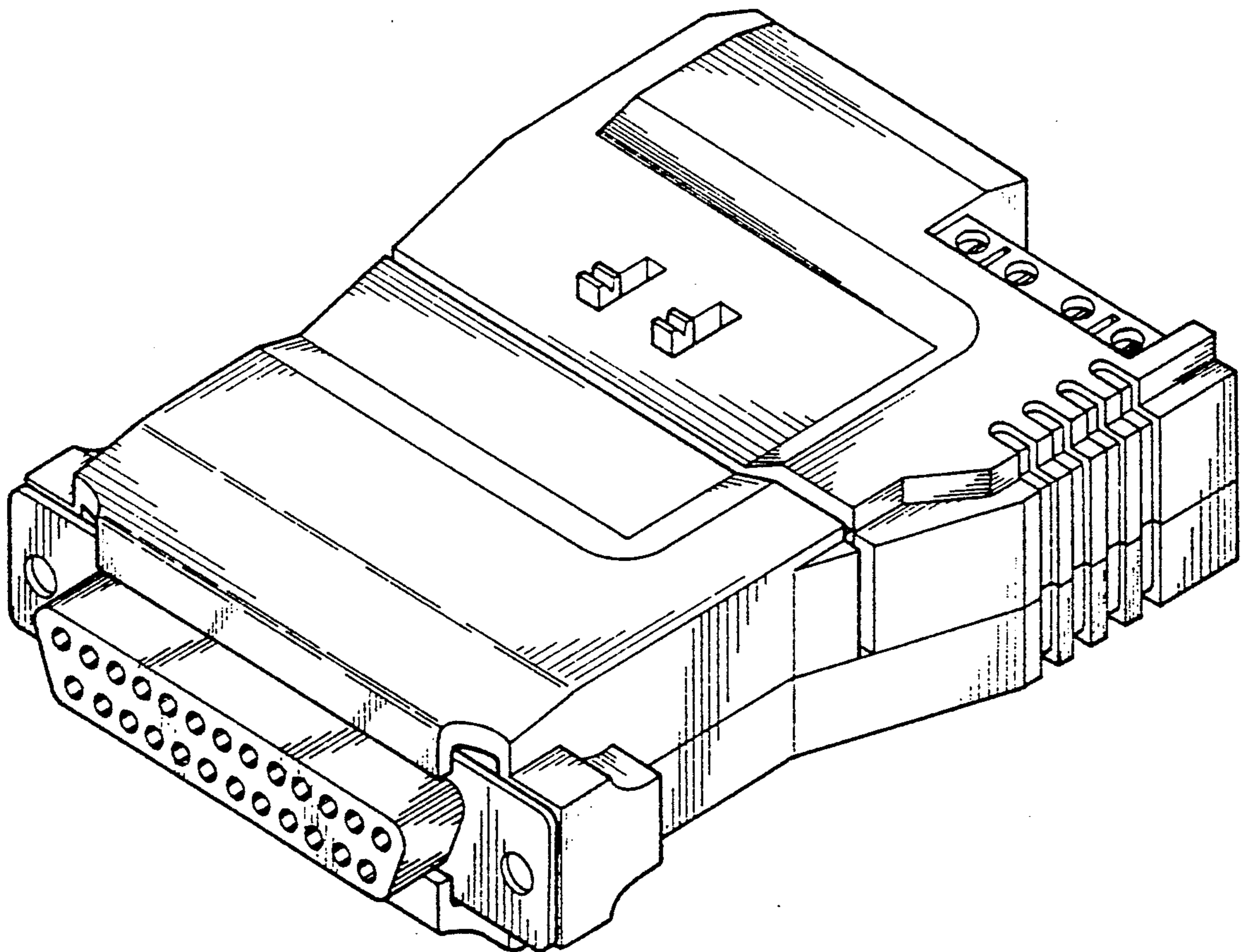
[56] **References Cited**

U.S. PATENT DOCUMENTS

- D. 268,262 3/1983 Frantz D13/147
- D. 275,850 10/1984 Wilson D13/147

OTHER PUBLICATIONS

Intelli-Cable connector on p. 86 of *Inmac Catalog* Jan. 1988.



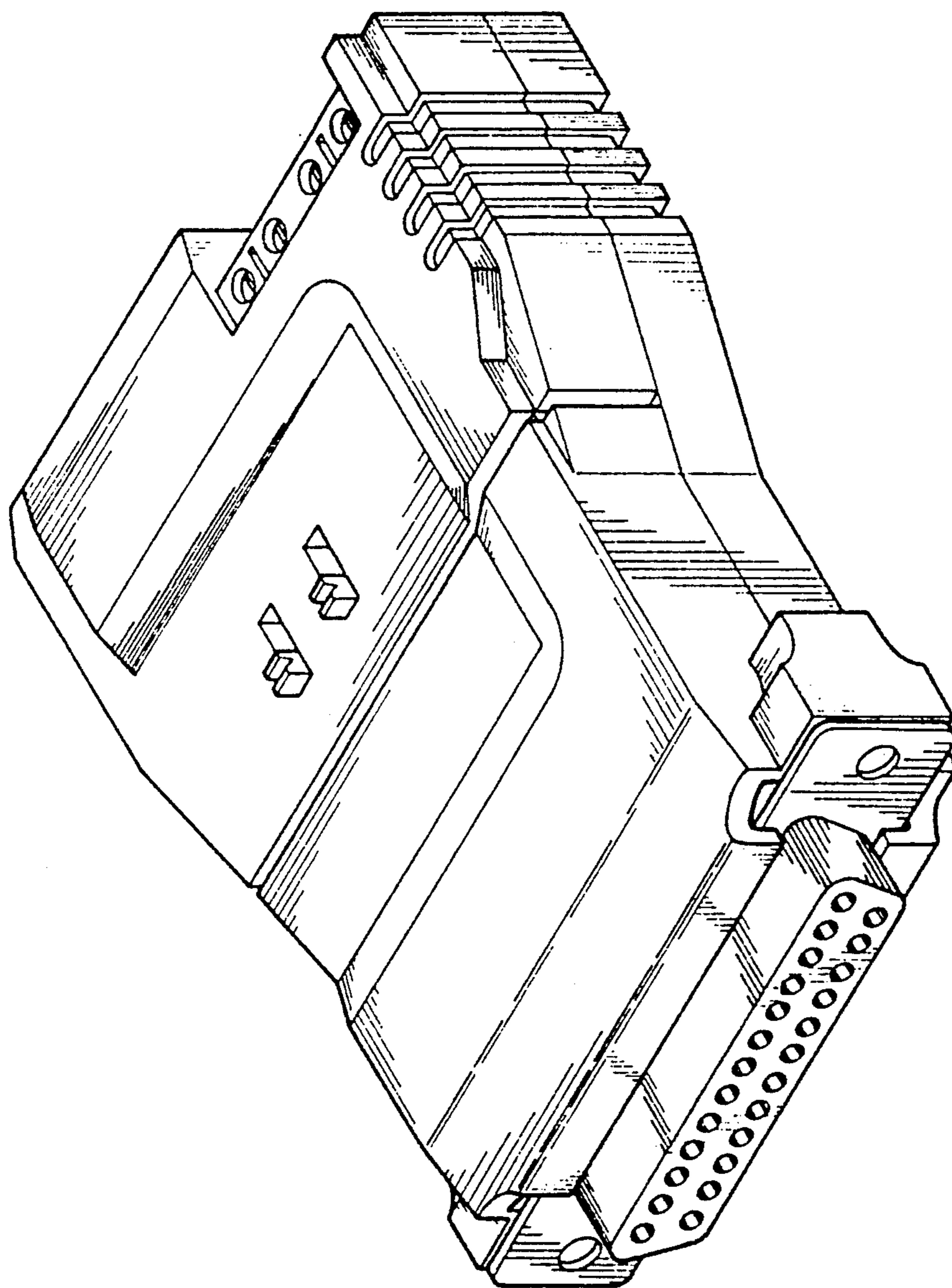


FIG. 1

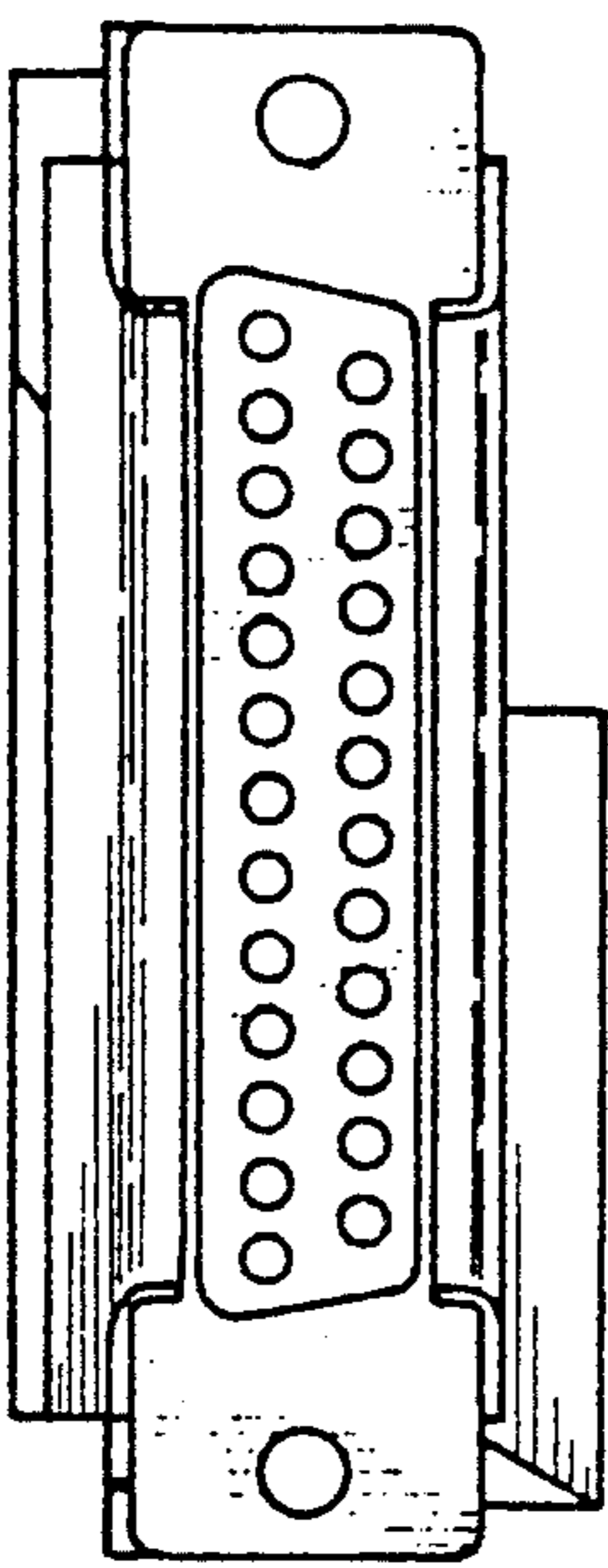


FIG. 2

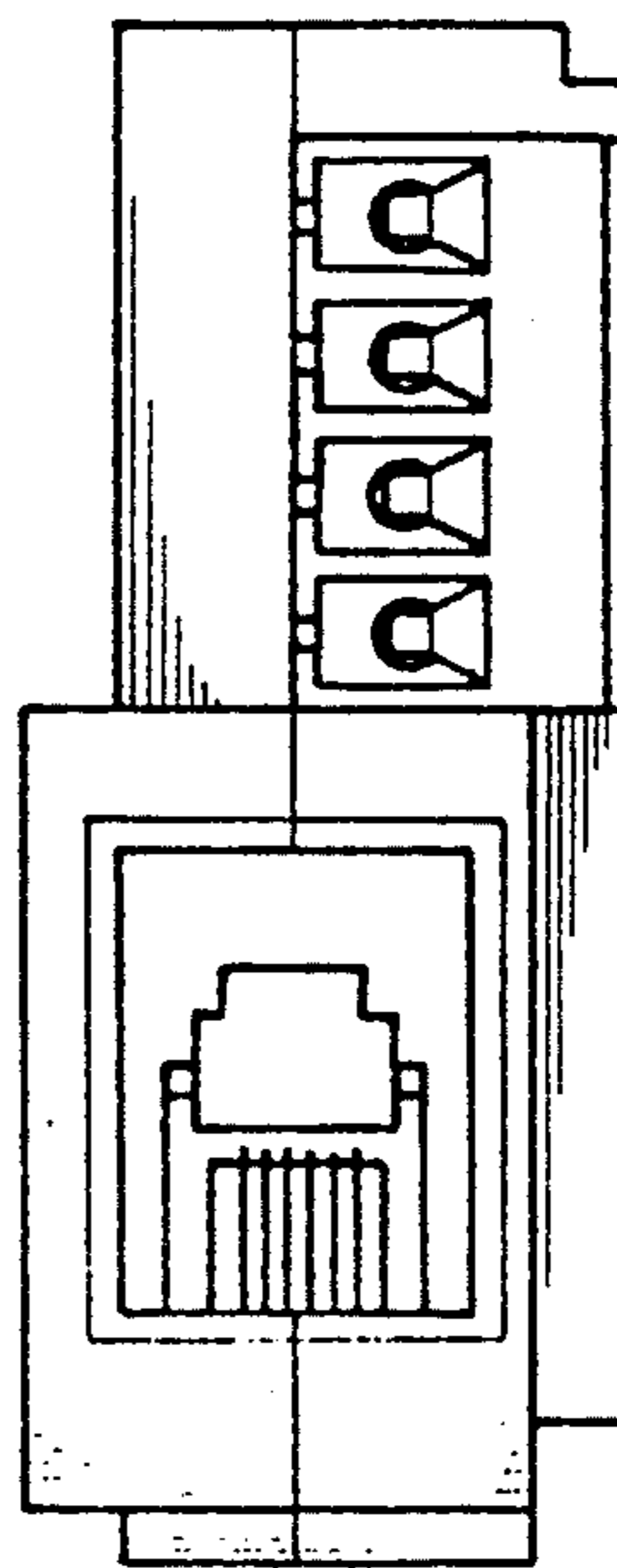


FIG. 3

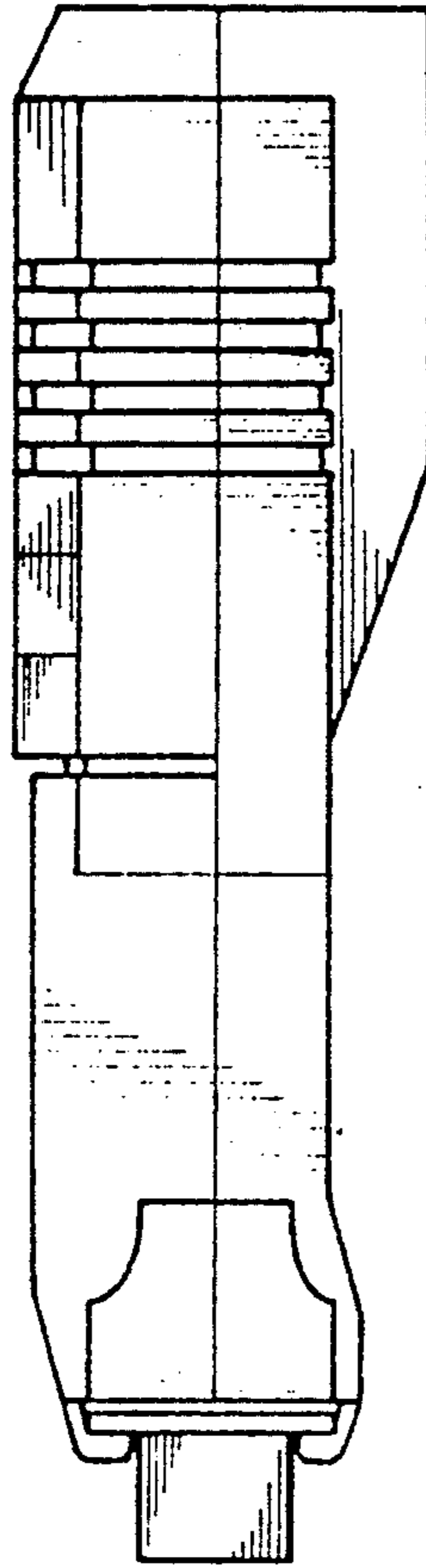


FIG. 5

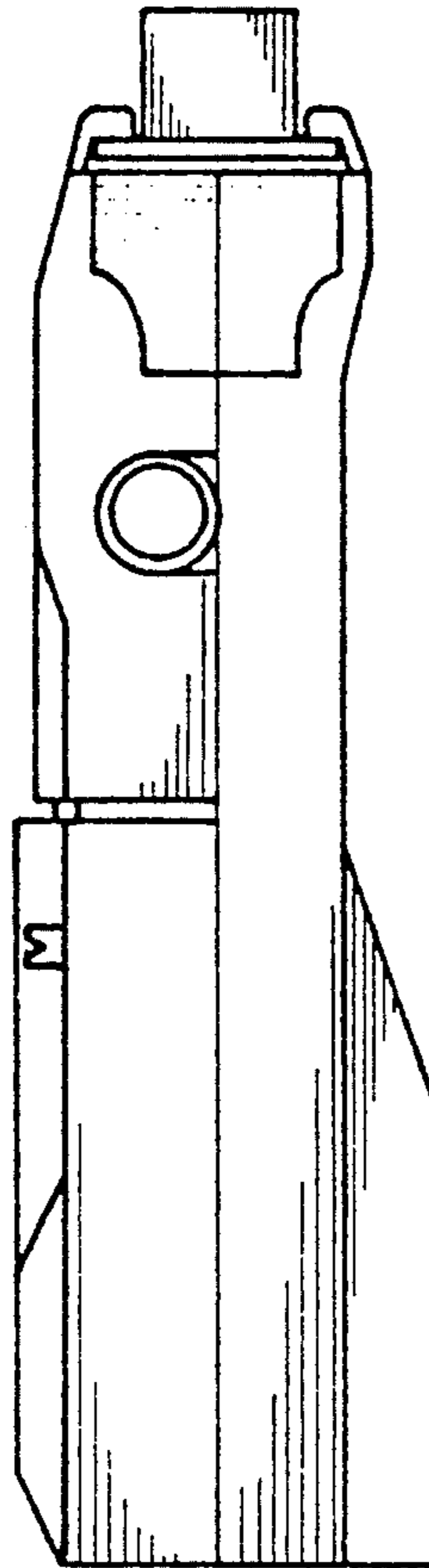


FIG. 4

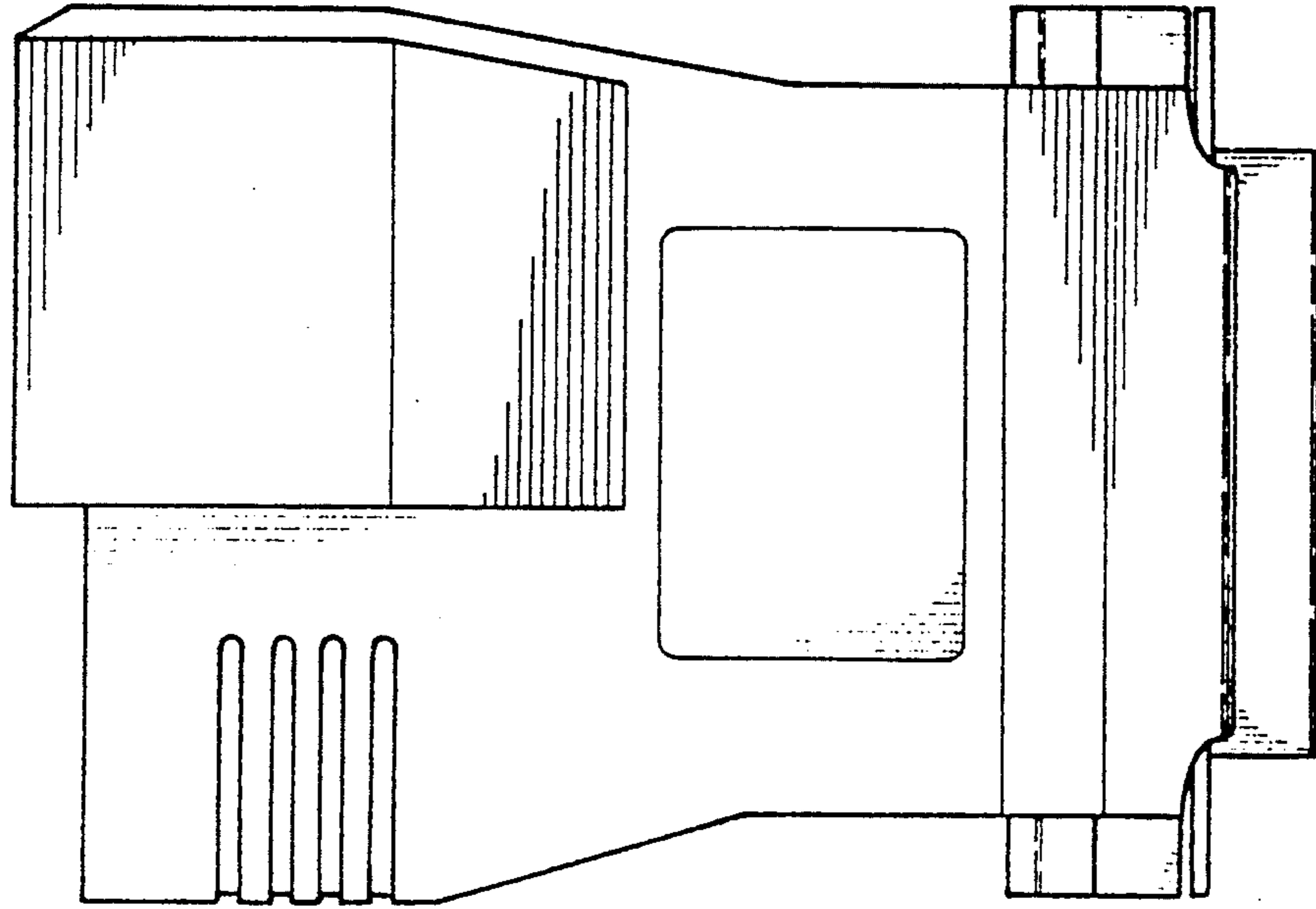


FIG. 7

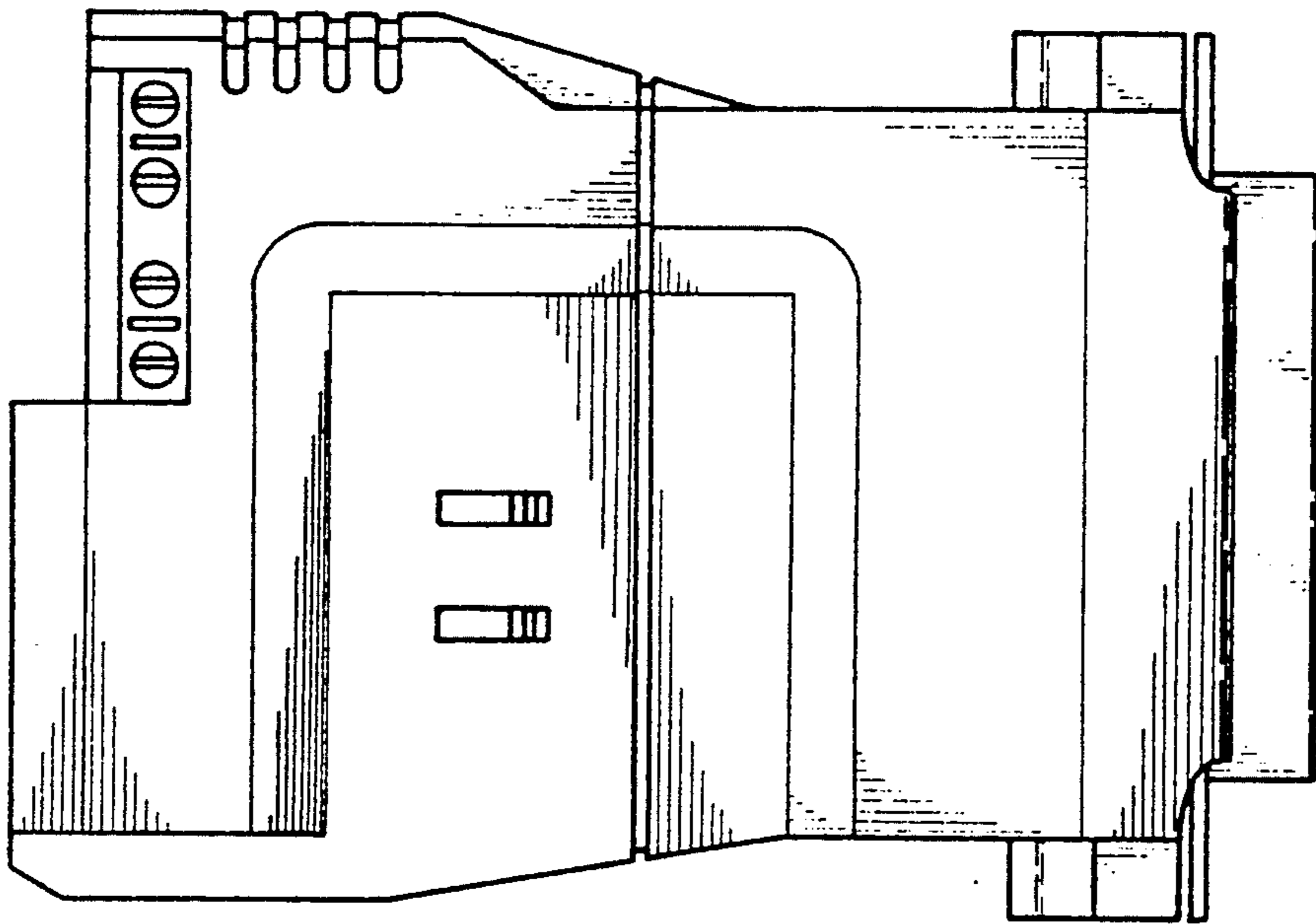


FIG. 6