



US00D331394S

United States Patent [19]

[11] Patent Number: **Des. 331,394**

Kobayashi et al.

[45] Date of Patent: **** Dec. 1, 1992**

[54] **MODEM FOR DATA COMMUNICATION**

D. 302,268 7/1989 Larson et al. D14/107
D. 309,731 8/1990 Takai D14/107
D. 321,343 11/1991 Feer et al. D14/107

[75] Inventors: **Yutaka Kobayashi, Hirakata;**
Sadayasu Araki, Kawagoe, both of
Japan

Primary Examiner—Wallace R. Burke
Assistant Examiner—Freda S. Nunn
Attorney, Agent, or Firm—Foley & Lardner

[73] Assignee: **Omron Corporation, Kyoto, Japan**

[**] Term: **14 Years**

[57] **CLAIM**

[21] Appl. No.: **524,822**

The ornamental design for a modem for data communication, as shown and described.

[22] Filed: **May 18, 1990**

[52] U.S. Cl. **D14/107**

DESCRIPTION

[58] Field of Search D14/100, 107, 114, 118;
D13/100, 123, 147; 200/5 R; 361/380, 390-395;
379/67, 93, 100, 102

FIG. 1 is a top perspective view of a modem for data communication showing our new design;
FIG. 2 is a top plan view thereof;
FIG. 3 is a front elevational view thereof;
FIG. 4 is a bottom plan view thereof;
FIG. 5 is a rear elevational view thereof;
FIG. 6 is a right side elevational view thereof; and,
FIG. 7 is a left side elevational view thereof.

[56] **References Cited**

U.S. PATENT DOCUMENTS

D. 269,345 6/1983 Payne, Jr. et al. D14/107
D. 301,877 6/1989 Greenberg et al. D14/107

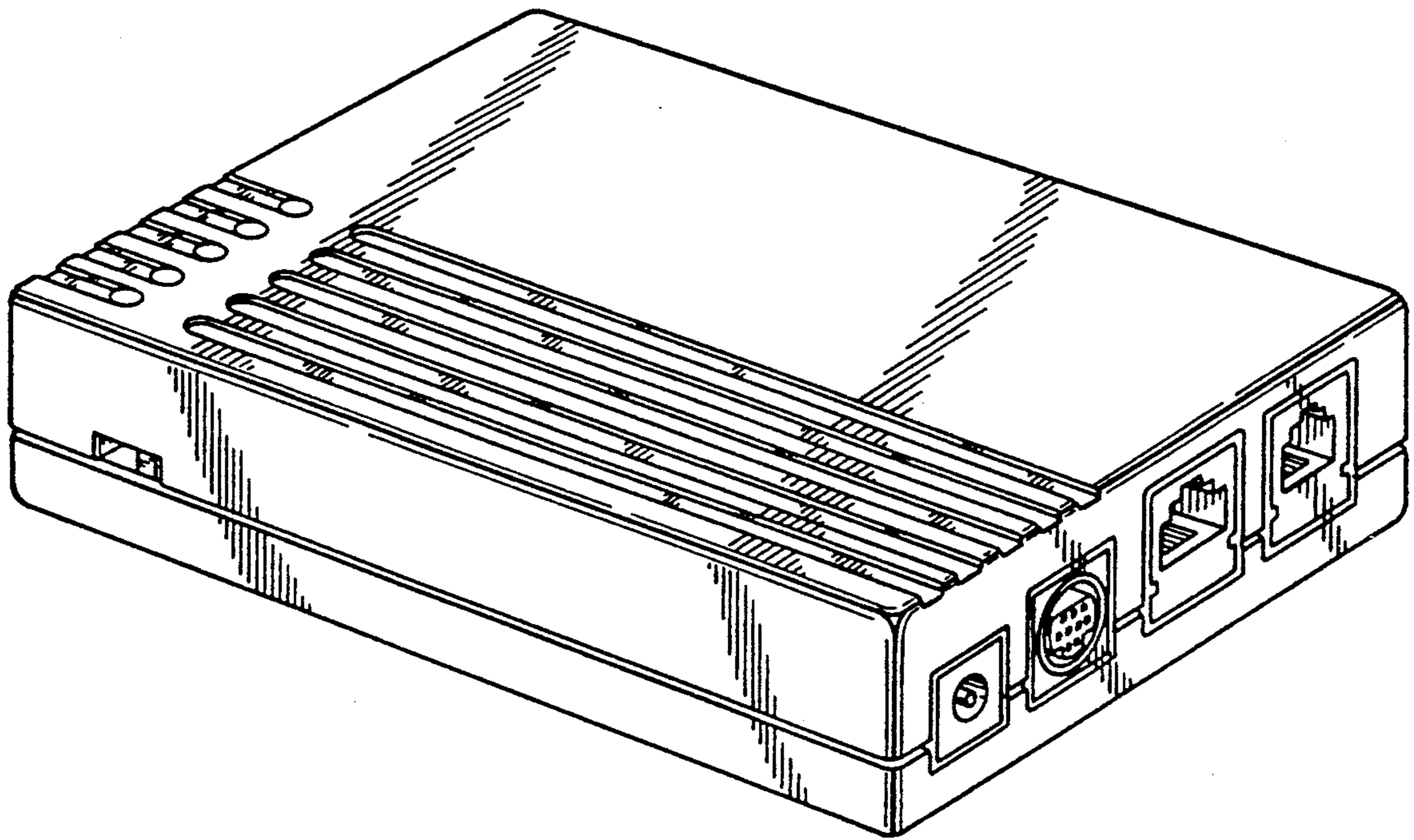


FIG. 1

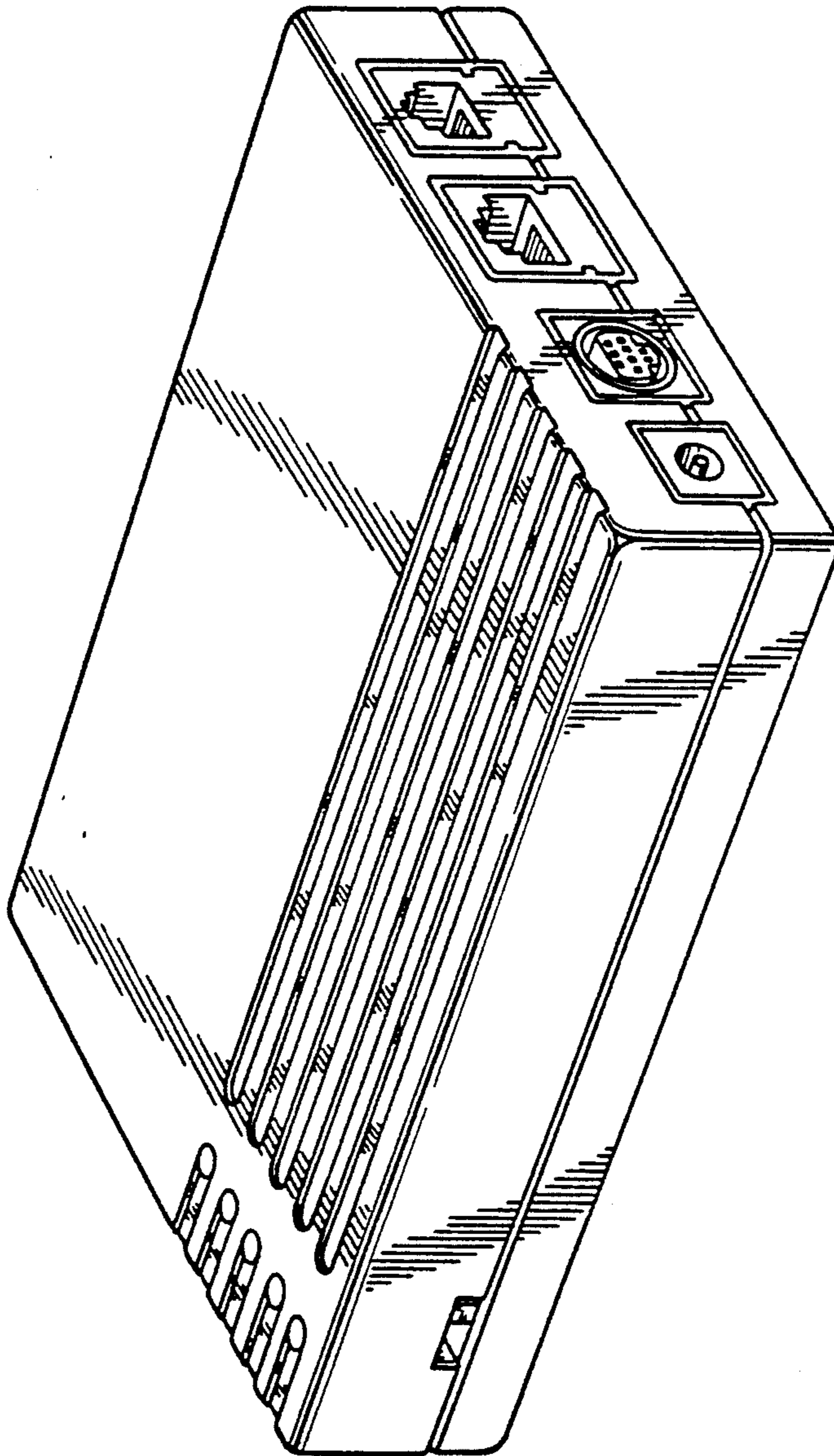


FIG. 3

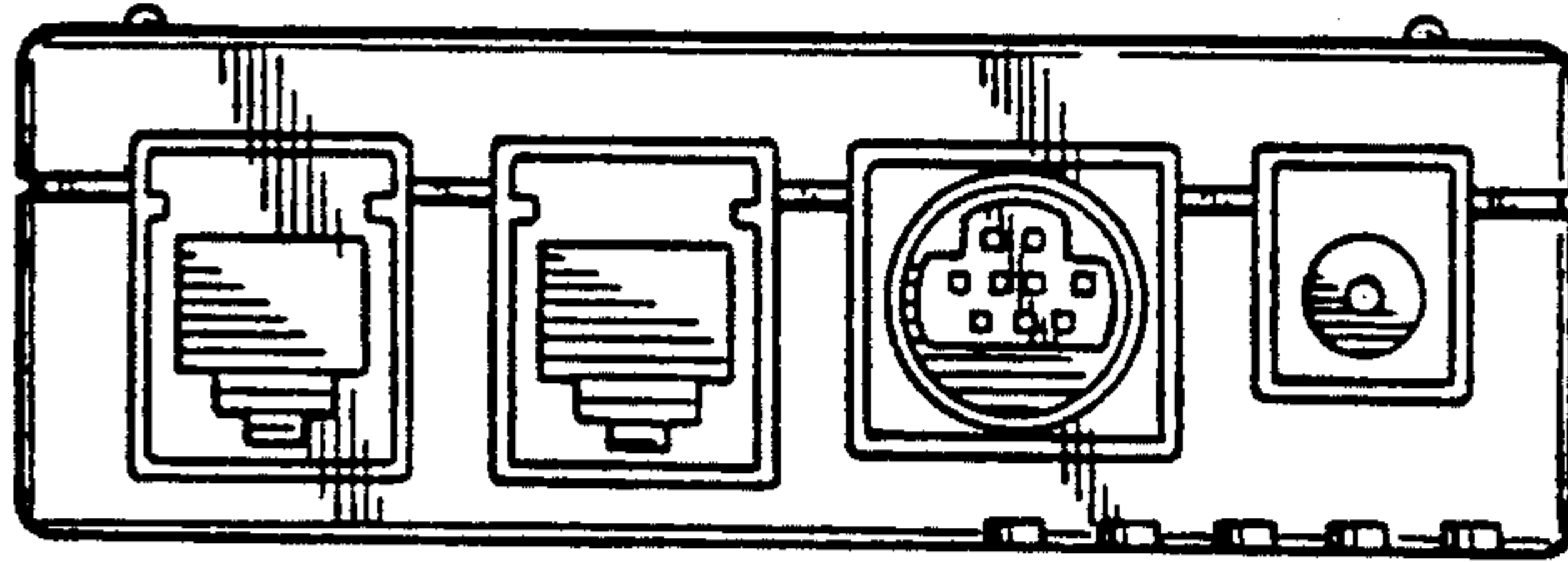


FIG. 2

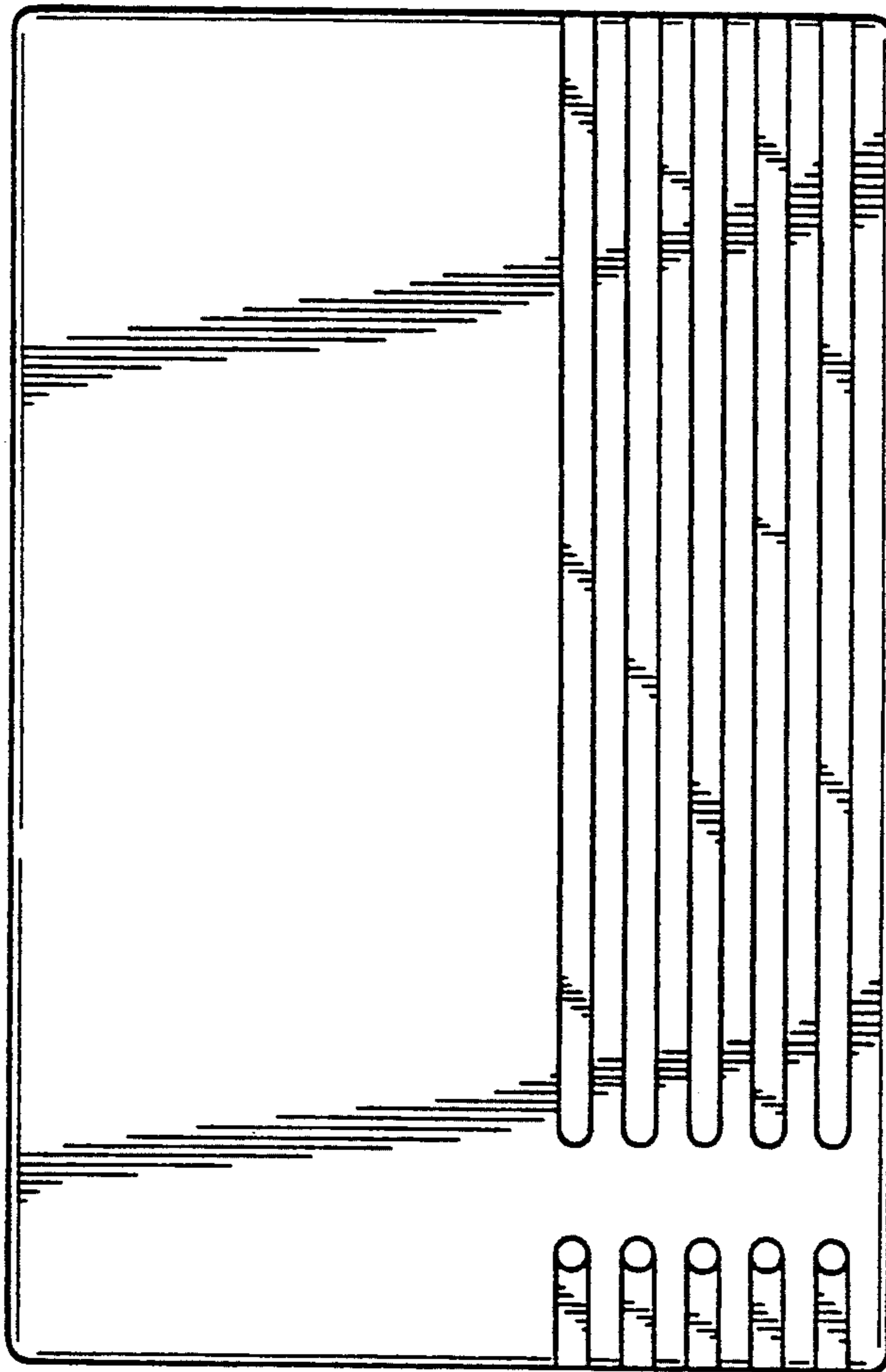


FIG. 5

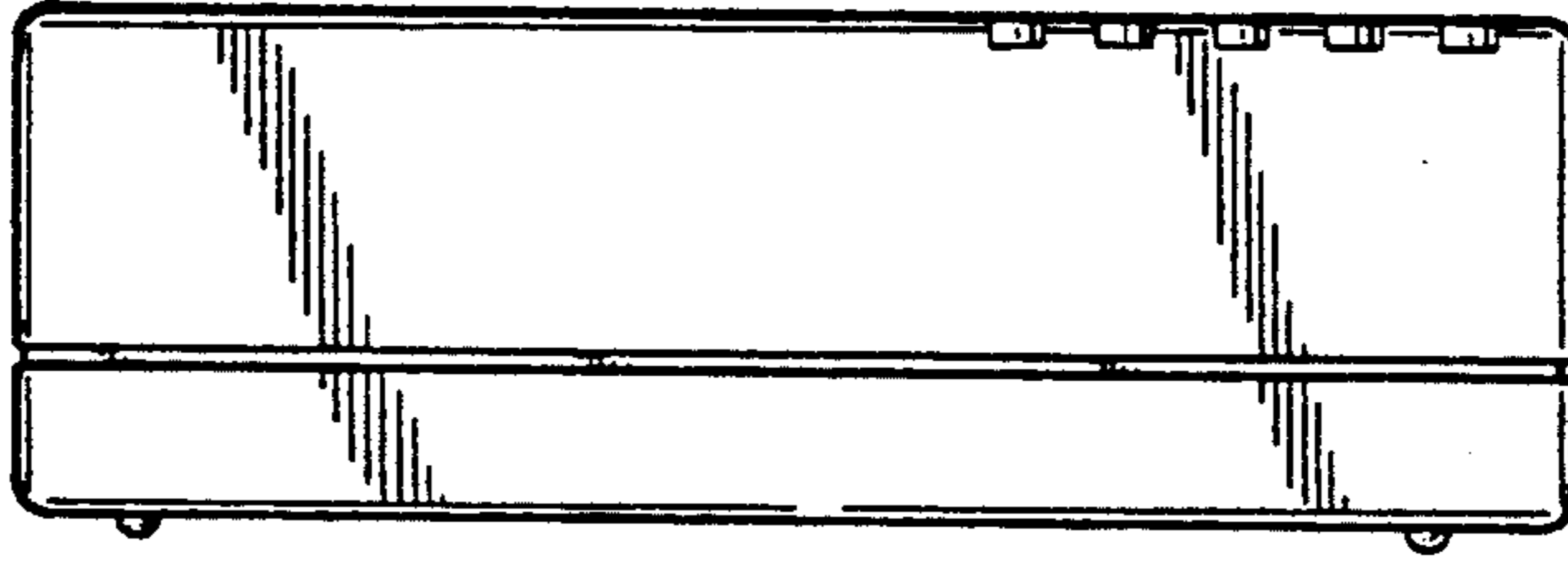


FIG. 4

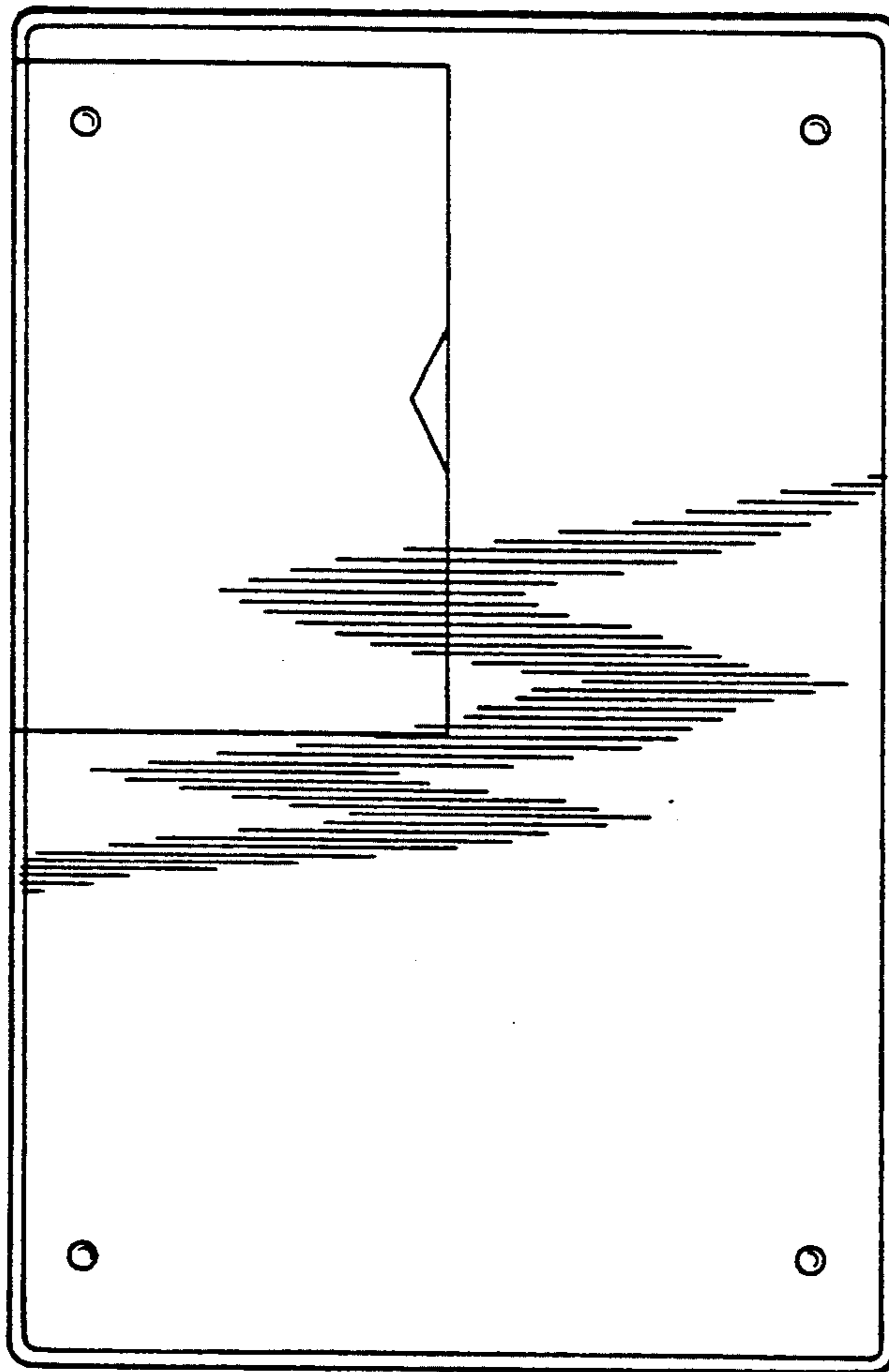


FIG. 6

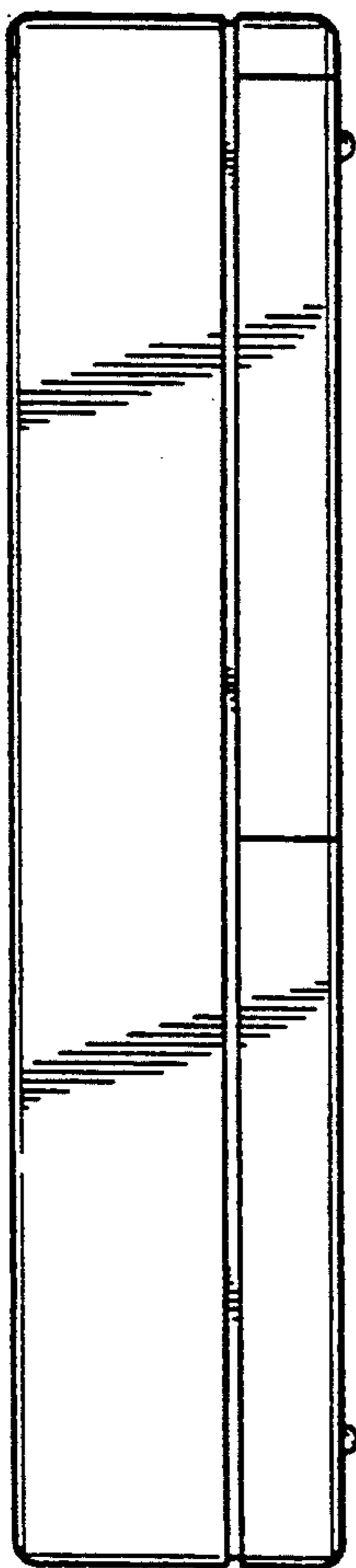


FIG. 7

