



US00D331392S

United States Patent [19]

[11] Patent Number: **Des. 331,392**

August et al.

[45] Date of Patent: **** Dec. 1, 1992**

[54] COMPUTER CABINET

[76] Inventors: **Melvin C. August**, 18416 W. Edgewater Dr.; **Gregory W. Pautsch**, 21463 E. Lafayette Dr.; **Larry W. Gullickson**, Rte. 7, Box 428; **Steven S. Chen**, Rte. 5, Box 430-Q, all of Chippewa Falls, Wis. 54729

[**] Term: **14 Years**

[21] Appl. No.: **556,032**

[22] Filed: **Jul. 20, 1990**
(Under 37 CFR 1.47)

[52] U.S. Cl. **D14/102**

[58] Field of Search D14/100, 102, 103, 104, D14/108, 109; D6/432, 510, 511; 360/92; 361/390-395; 312/208, 315, 282, 257.1; D13/184, 199

[56] References Cited

U.S. PATENT DOCUMENTS

- D. 314,949 2/1991 Cermak, III et al. D14/102
- D. 315,147 3/1991 Davis et al. D14/102

Primary Examiner—Wallace R. Burke

Assistant Examiner—Freda S. Nunn
Attorney, Agent, or Firm—Merchant, Gould, Smith, Edell, Welter & Schmidt

[57] CLAIM

The ornamental design for a computer cabinet, as shown and described.

DESCRIPTION

FIG. 1 is a front perspective view of a computer cabinet showing our new design;
 FIG. 2 is a side elevational view thereof, the undisclosed elevational views being identical in appearance;
 FIG. 3 is a top plan view thereof;
 FIG. 4 is a front perspective view of a second embodiment of the design;
 FIG. 5 is a side elevational view thereof, the undisclosed elevational views being identical in appearance;
 FIG. 6 is a top plan view thereof;
 FIG. 7 is a front perspective view of a third embodiment of the design;
 FIG. 8 is a side elevational view thereof, the undisclosed elevational views being identical in appearance;
 and,
 FIG. 9 is a top plan view thereof.

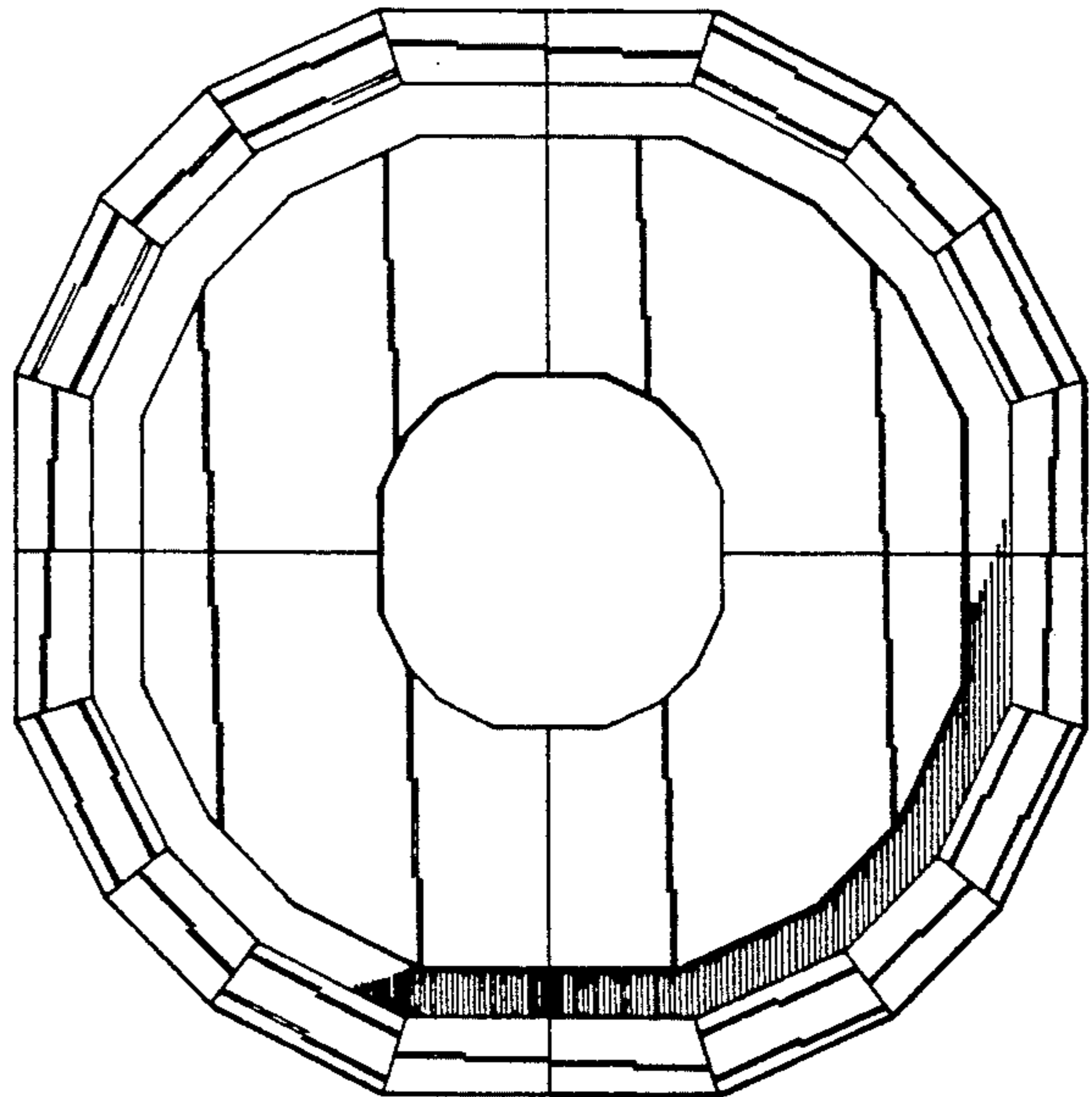
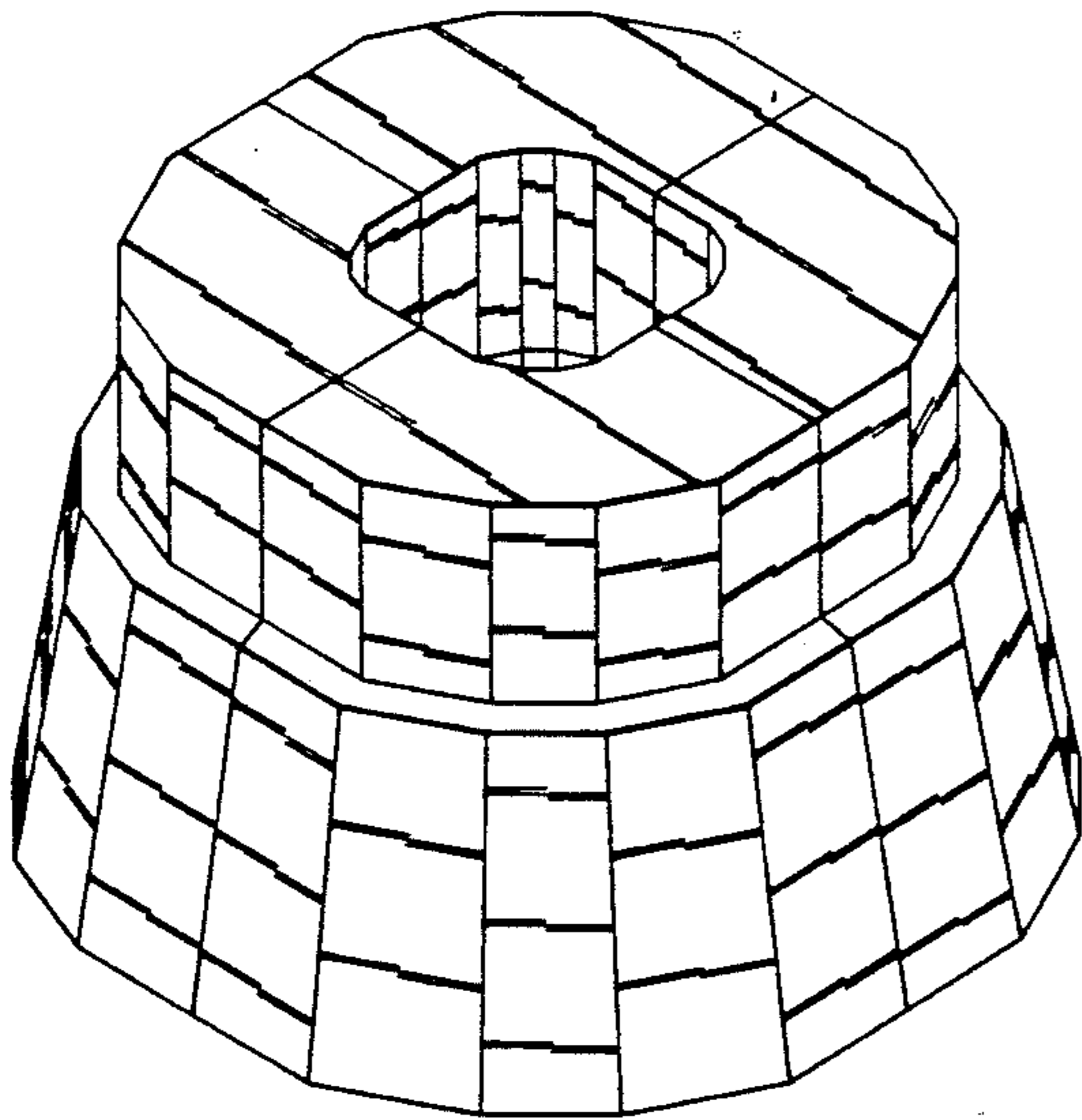


FIG. 1

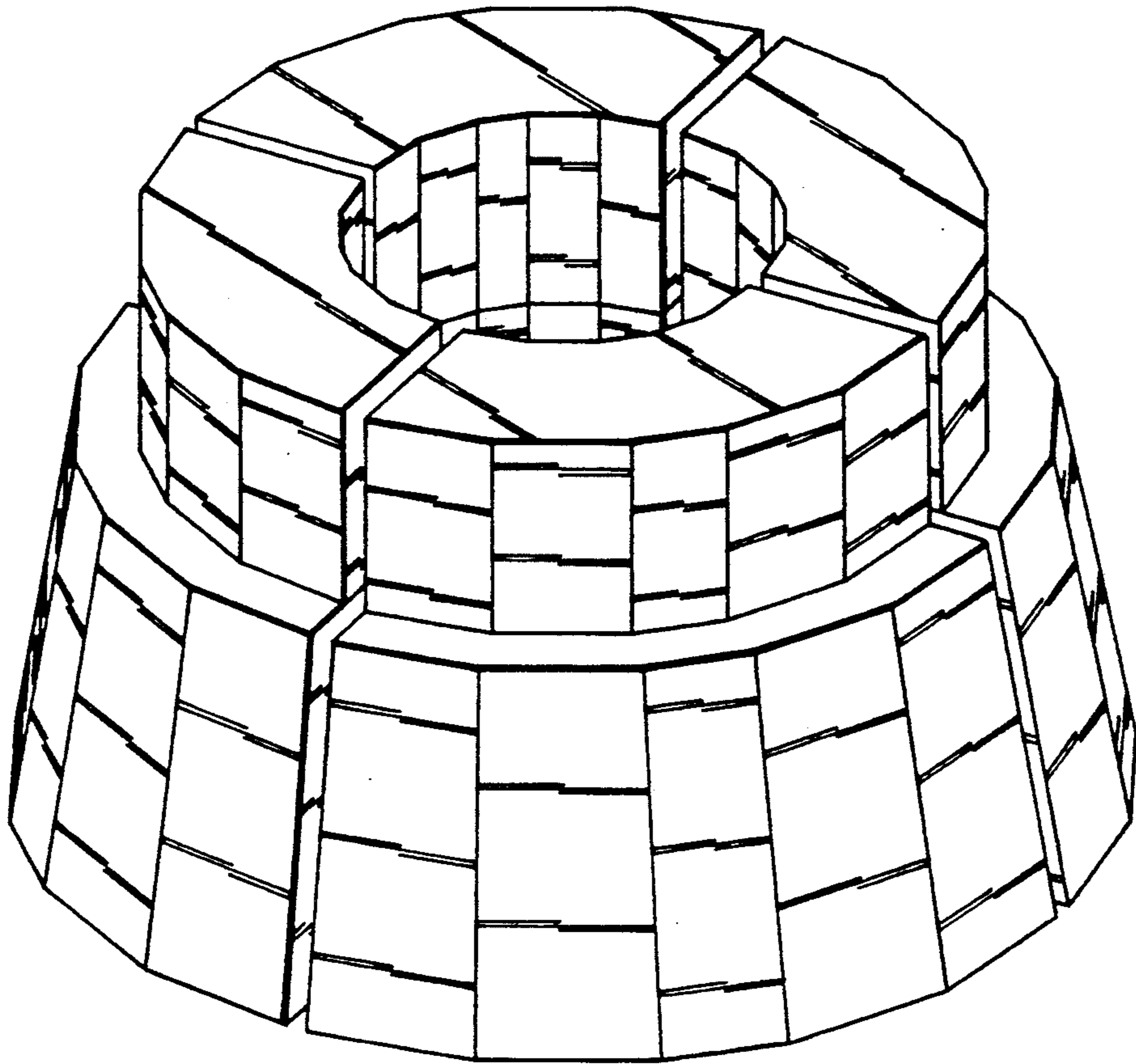


FIG. 2

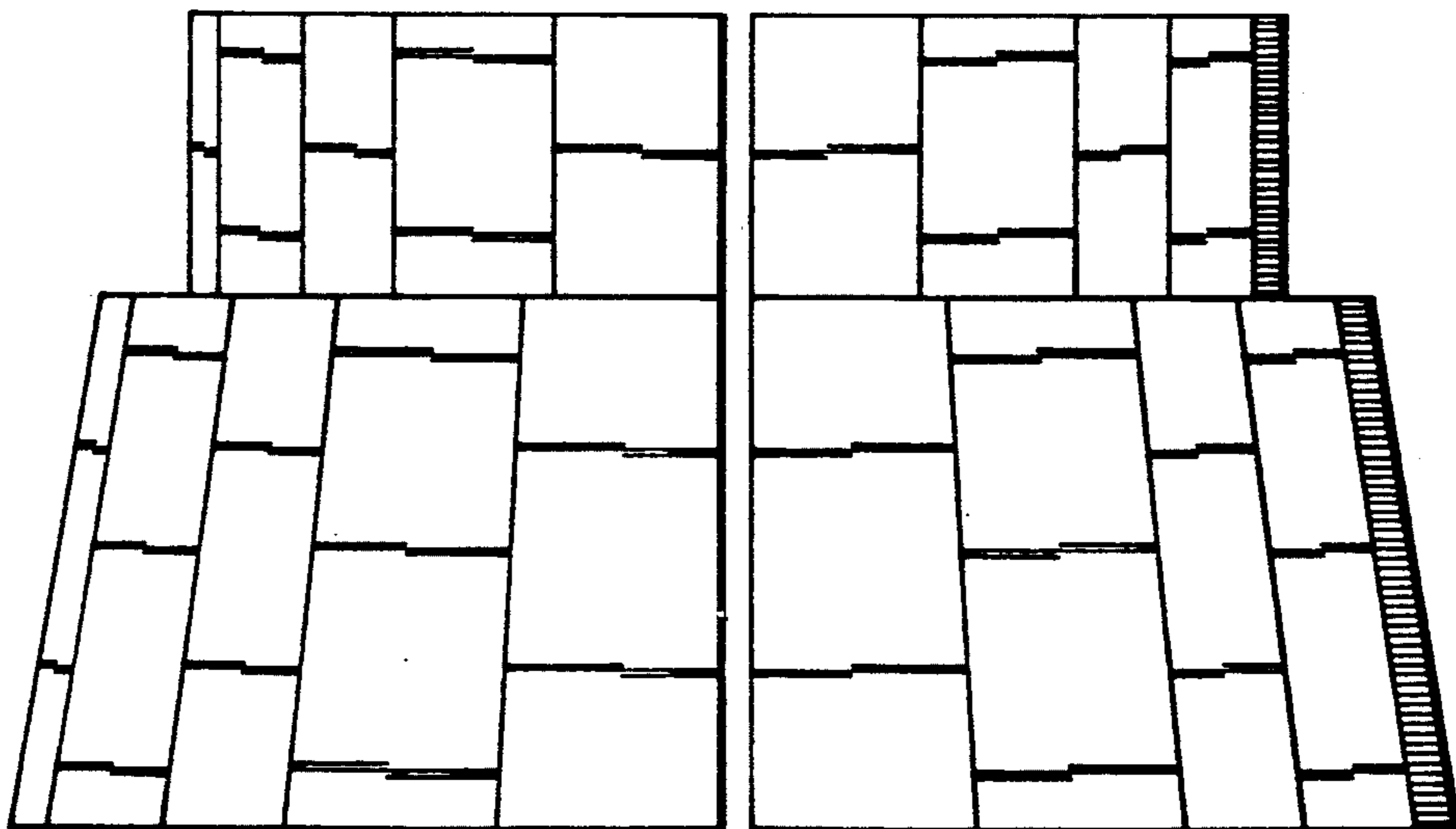


FIG. 3

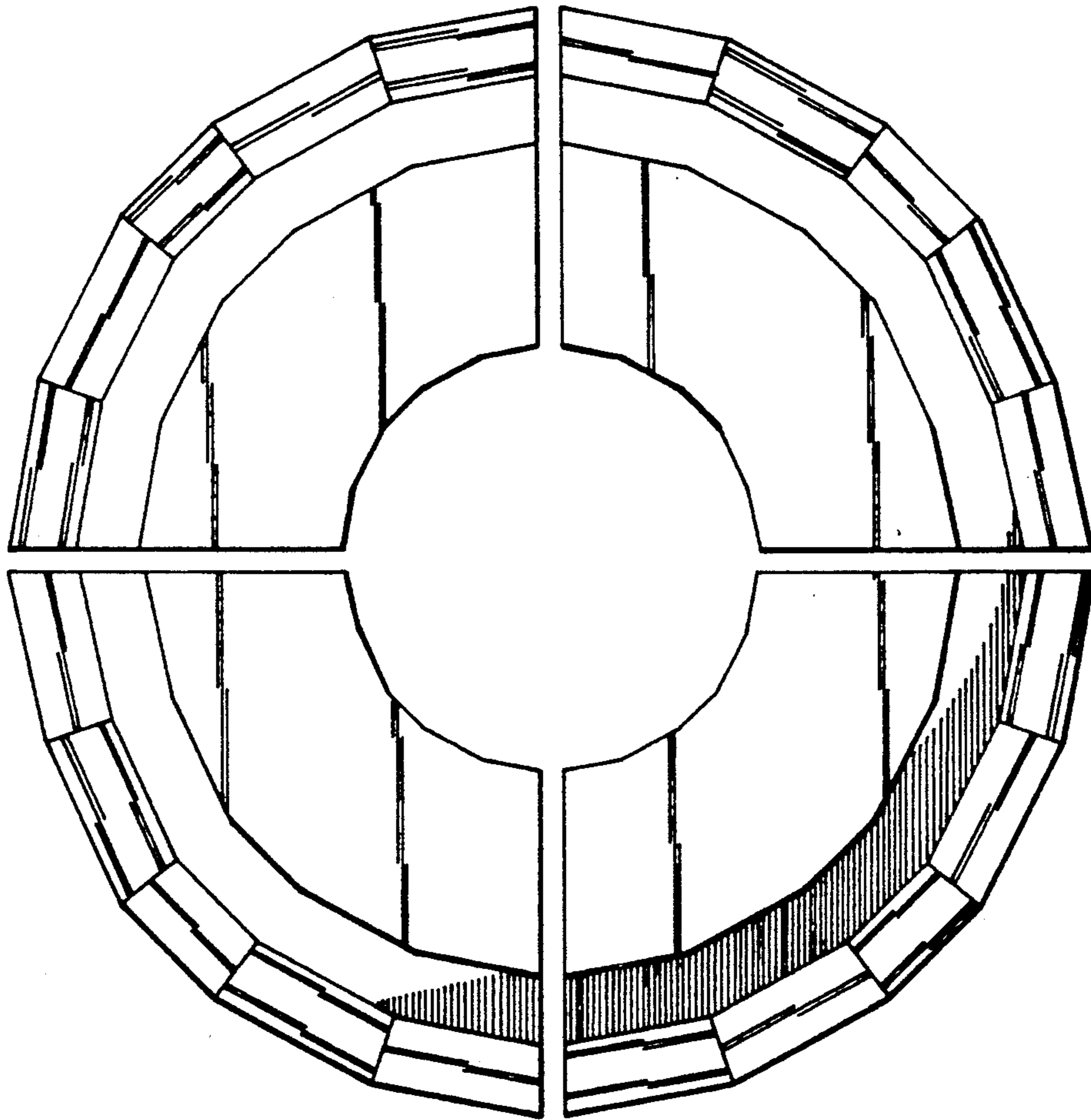


FIG.4

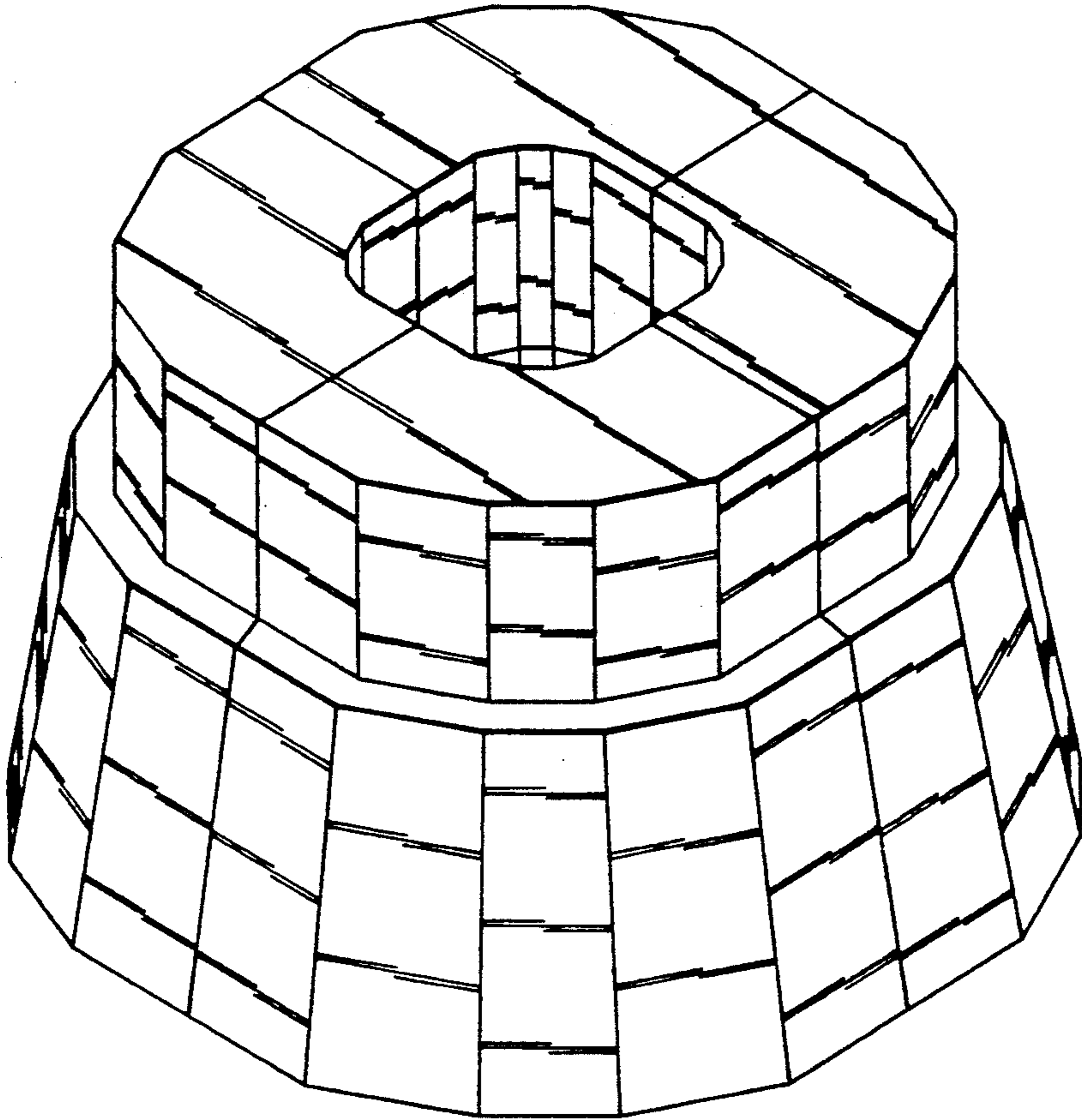


FIG.5

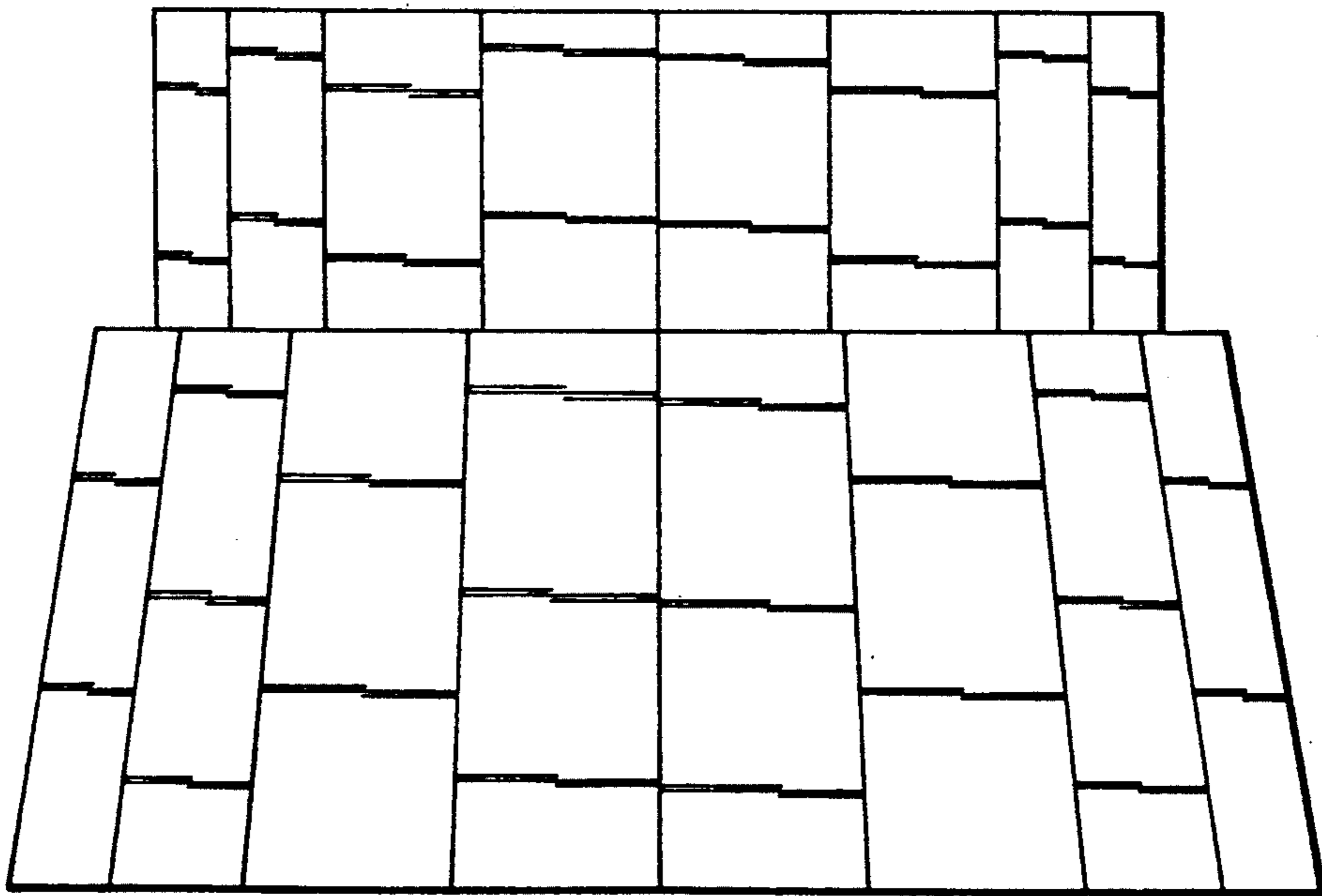


FIG.6

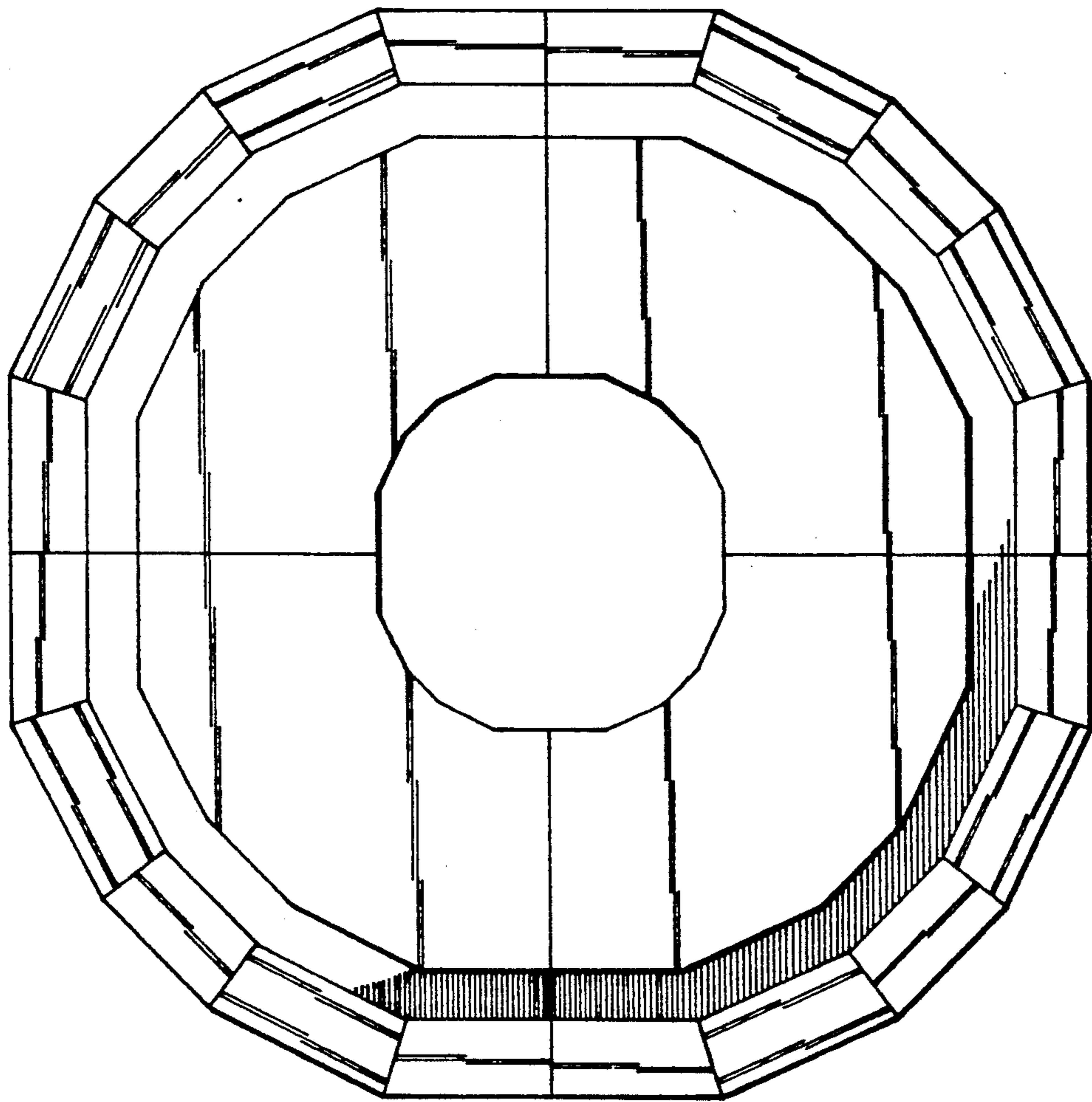


FIG. 7

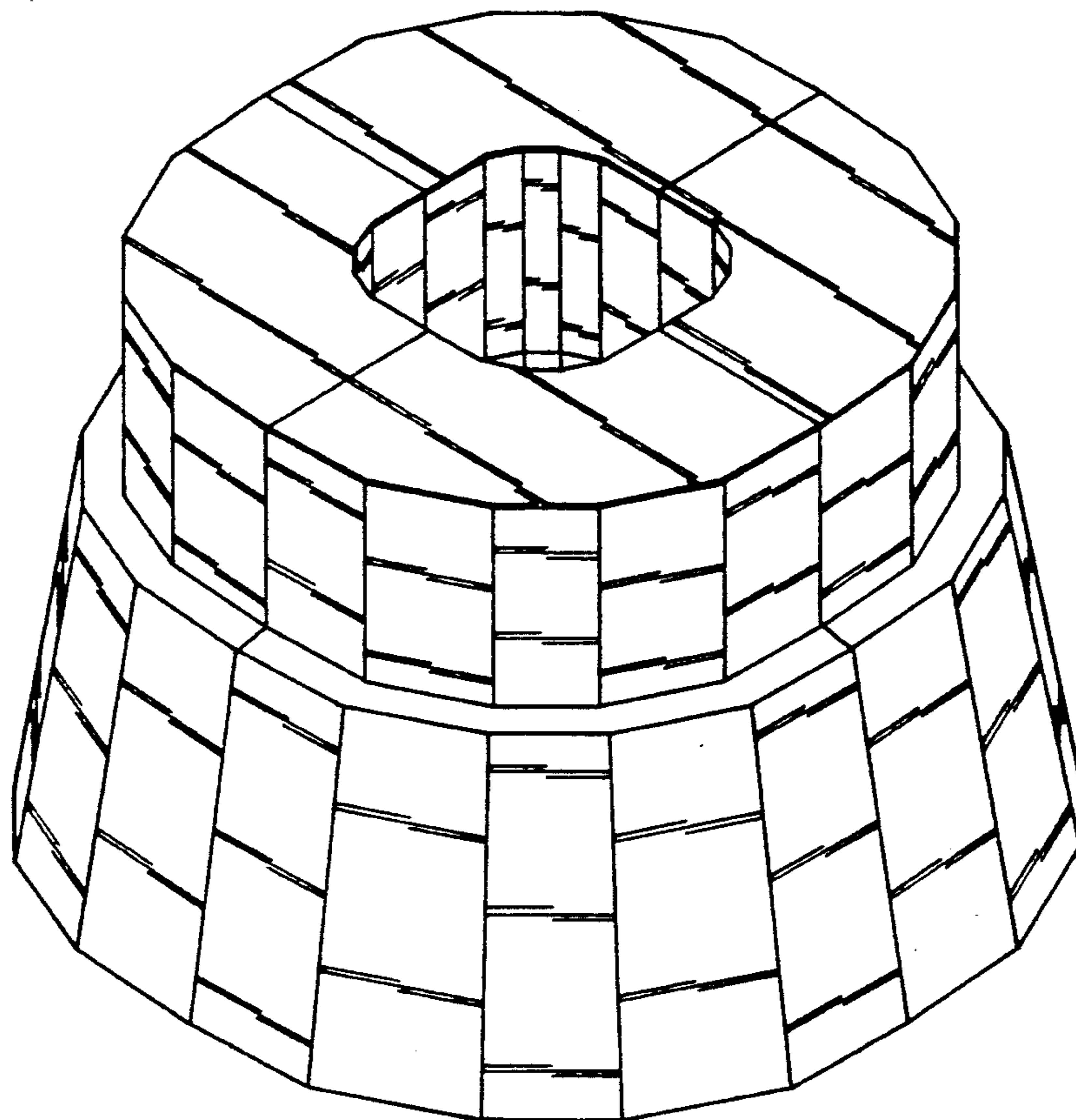


FIG. 8

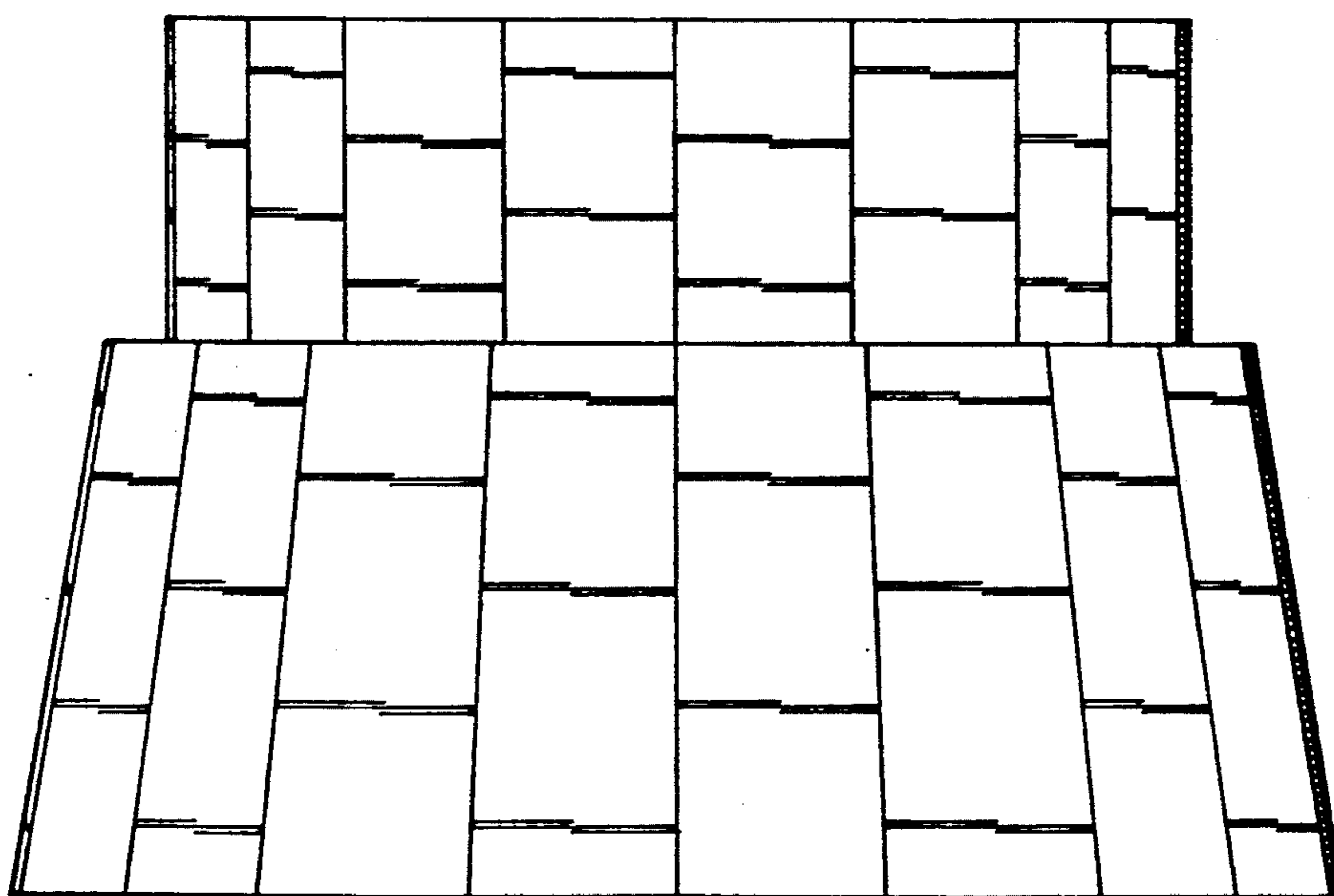


FIG.9

