



US00D331385S

# United States Patent [19]

Oka

[11] Patent Number: **Des. 331,385**

[45] Date of Patent: **\*\* Dec. 1, 1992**

[54] **COMBINED POWER SUPPLY ADAPTER AND CONVERTER FOR A DIGITAL AUDIO TAPE RECORDER**

[75] Inventor: **Satoshi Oka, Yao, Japan**

[73] Assignee: **Sharp Kabushiki Kaisha, Osaka, Japan**

[\*\*] Term: **14 Years**

[21] Appl. No.: **624,929**

[22] Filed: **Dec. 6, 1990**

[30] **Foreign Application Priority Data**

Jun. 6, 1990 [JP] Japan ..... 2-19237

[52] U.S. Cl. .... **D13/110**

[58] Field of Search ..... D13/103, 110; D14/157, D14/217, 258; 307/150, 151

[56] **References Cited**

**U.S. PATENT DOCUMENTS**

- D. 288,683 3/1987 Bostler et al. .... D14/217
- D. 288,800 3/1987 Gemmell ..... D13/110
- D. 303,654 9/1989 Rauch ..... D13/110

- D. 304,439 11/1989 Mitchell et al. .... D13/103
- D. 305,639 1/1990 Miki et al. .... D13/103
- 3,555,394 1/1971 Bramer et al. .... 307/150 X

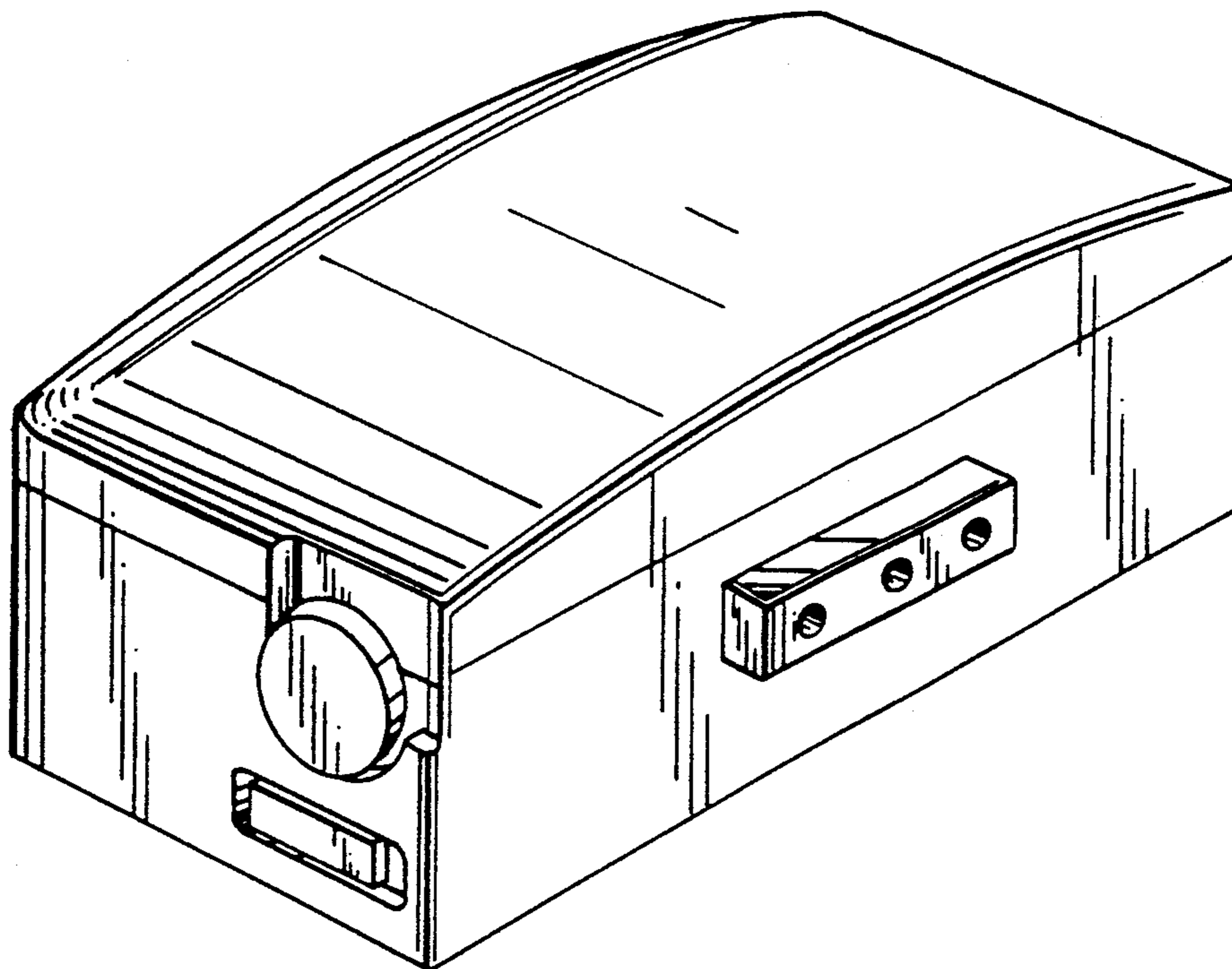
*Primary Examiner*—Wallace R. Burke  
*Assistant Examiner*—Joel Sincavage  
*Attorney, Agent, or Firm*—Nixon & Vanderhye

[57] **CLAIM**

The ornamental design for a combined power supply adapter and converter for a digital audio tape recorder, as shown and described.

**DESCRIPTION**

FIG. 1 is a left side elevational view of a combined power supply adapter and converter for a digital audio tape recorder showing my new design;  
 FIG. 2 is a right side elevational view thereof;  
 FIG. 3 is a front elevational view thereof;  
 FIG. 4 is a rear elevational view thereof;  
 FIG. 5 is a top plan view thereof;  
 FIG. 6 is a bottom plan view thereof;  
 FIG. 7 is a top, front and left side perspective view thereof; and,  
 FIG. 8 is a bottom, front and right side perspective view thereof.



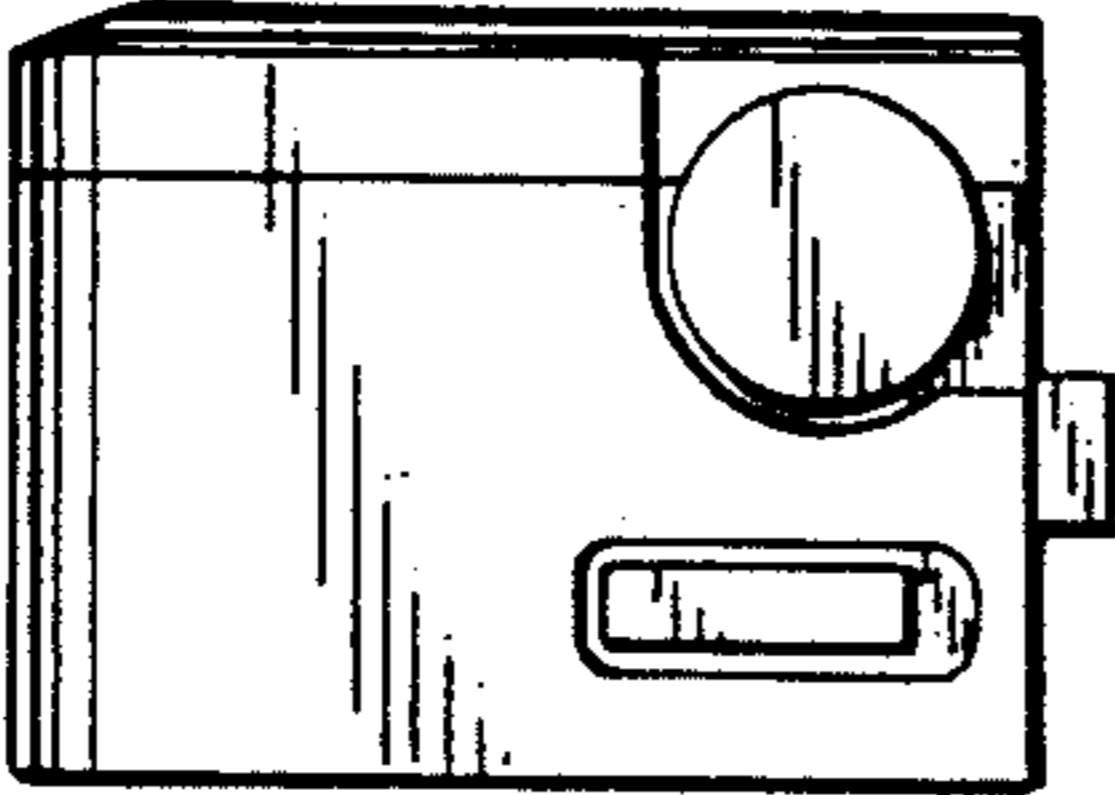


FIG. 1

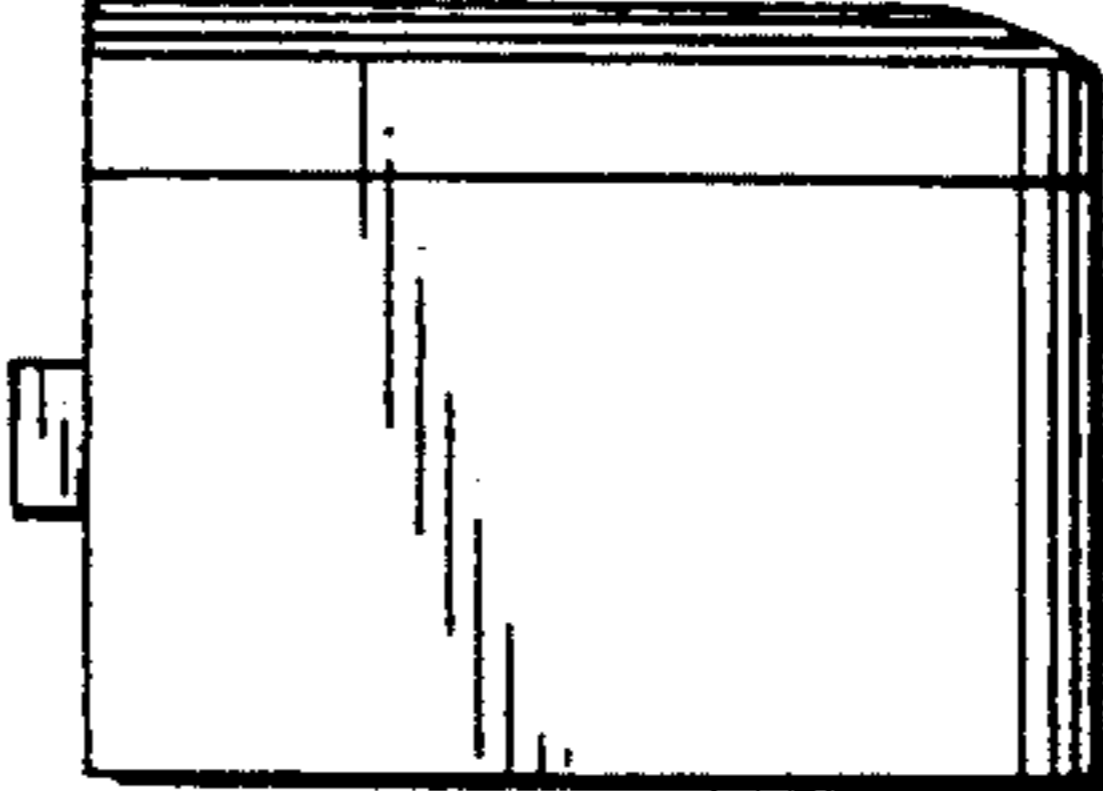


FIG. 2

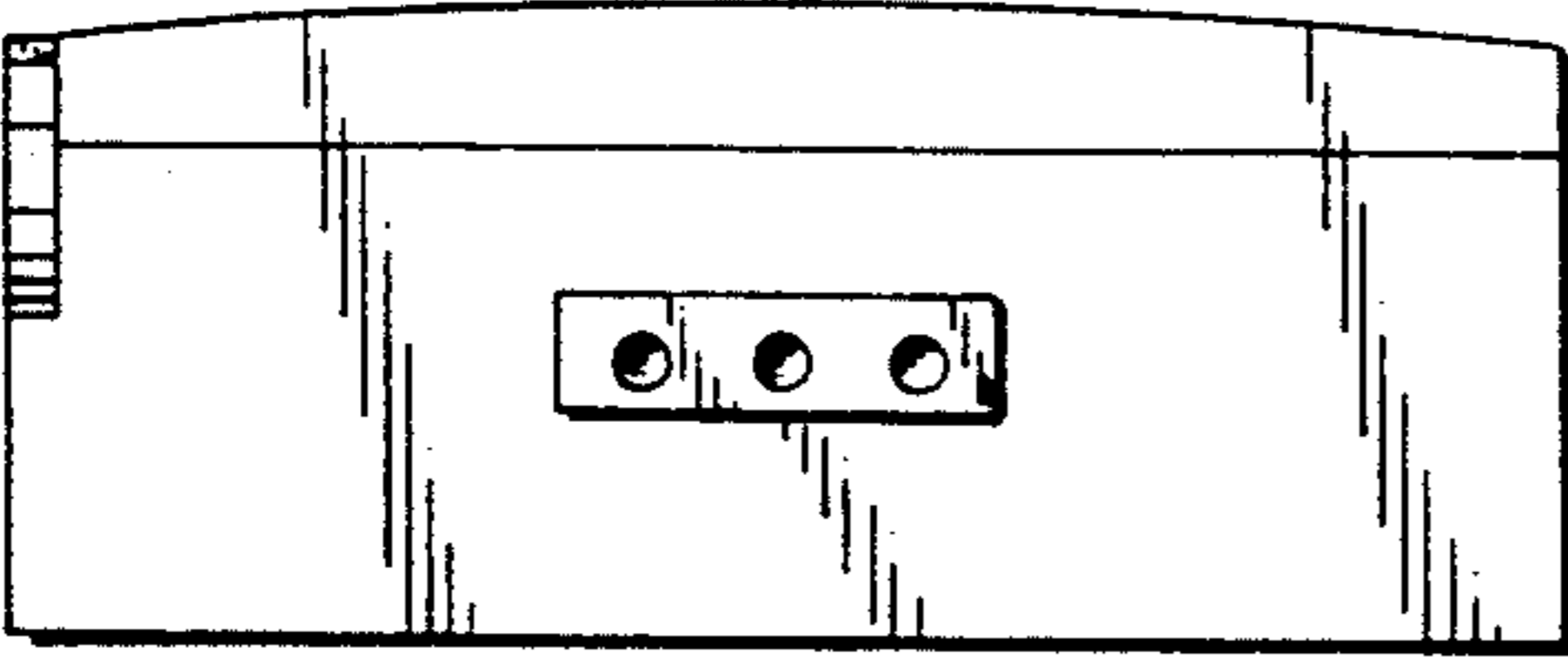


FIG. 3

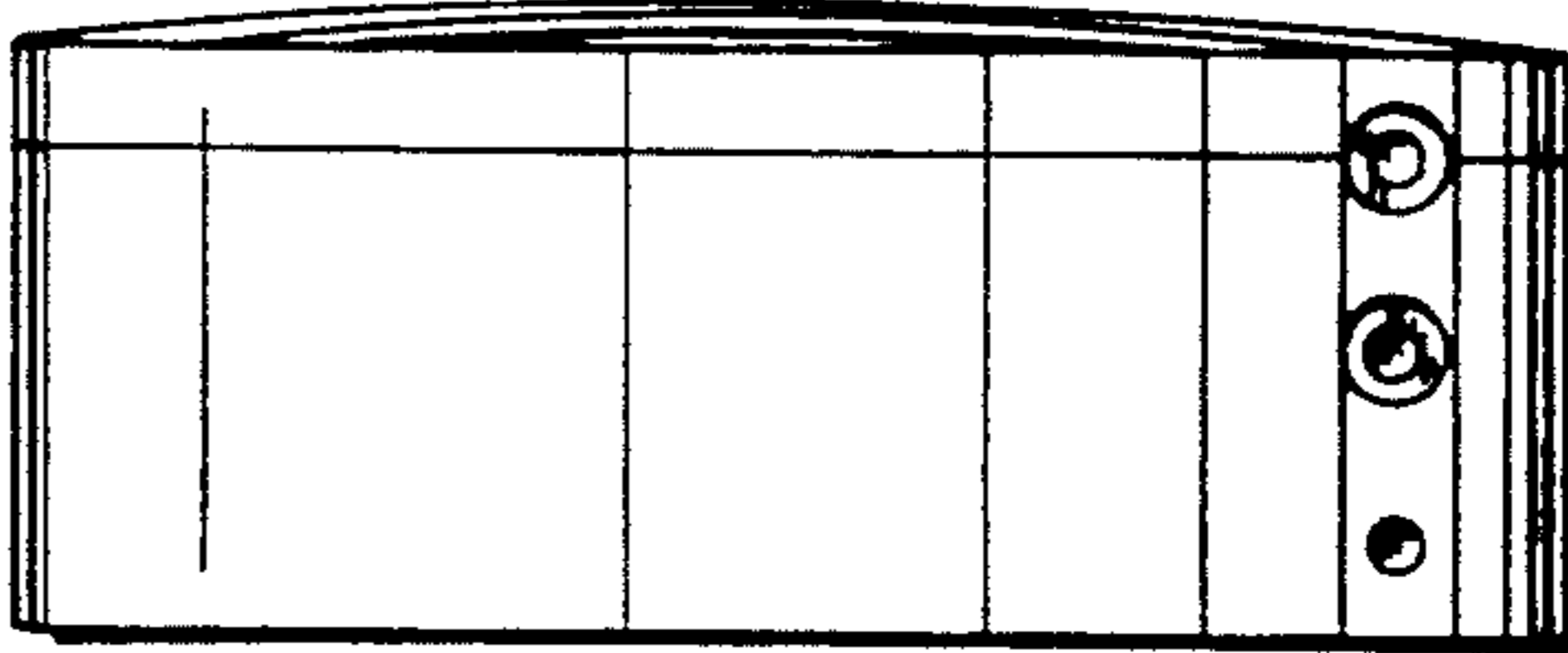


FIG. 4

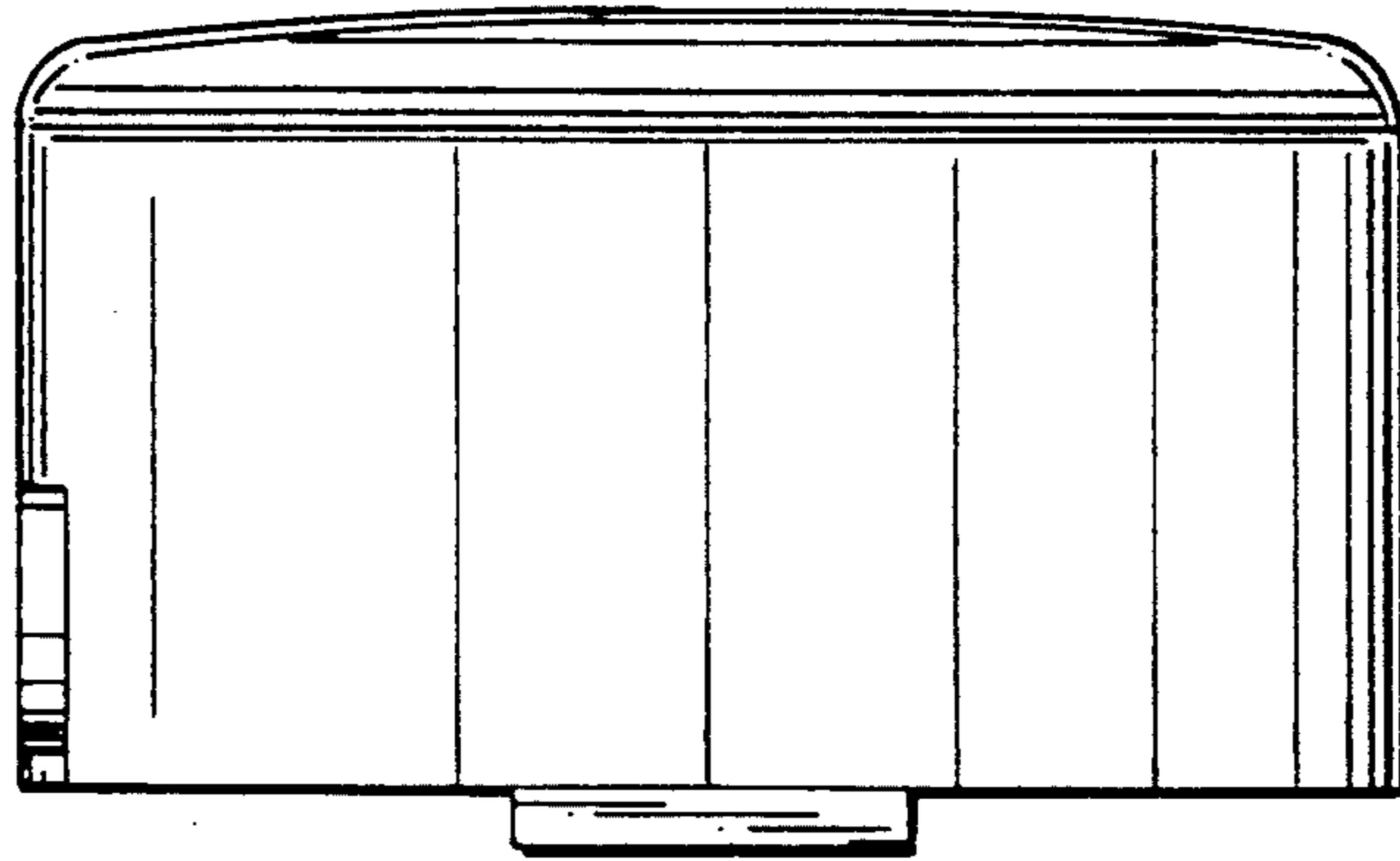


FIG. 5

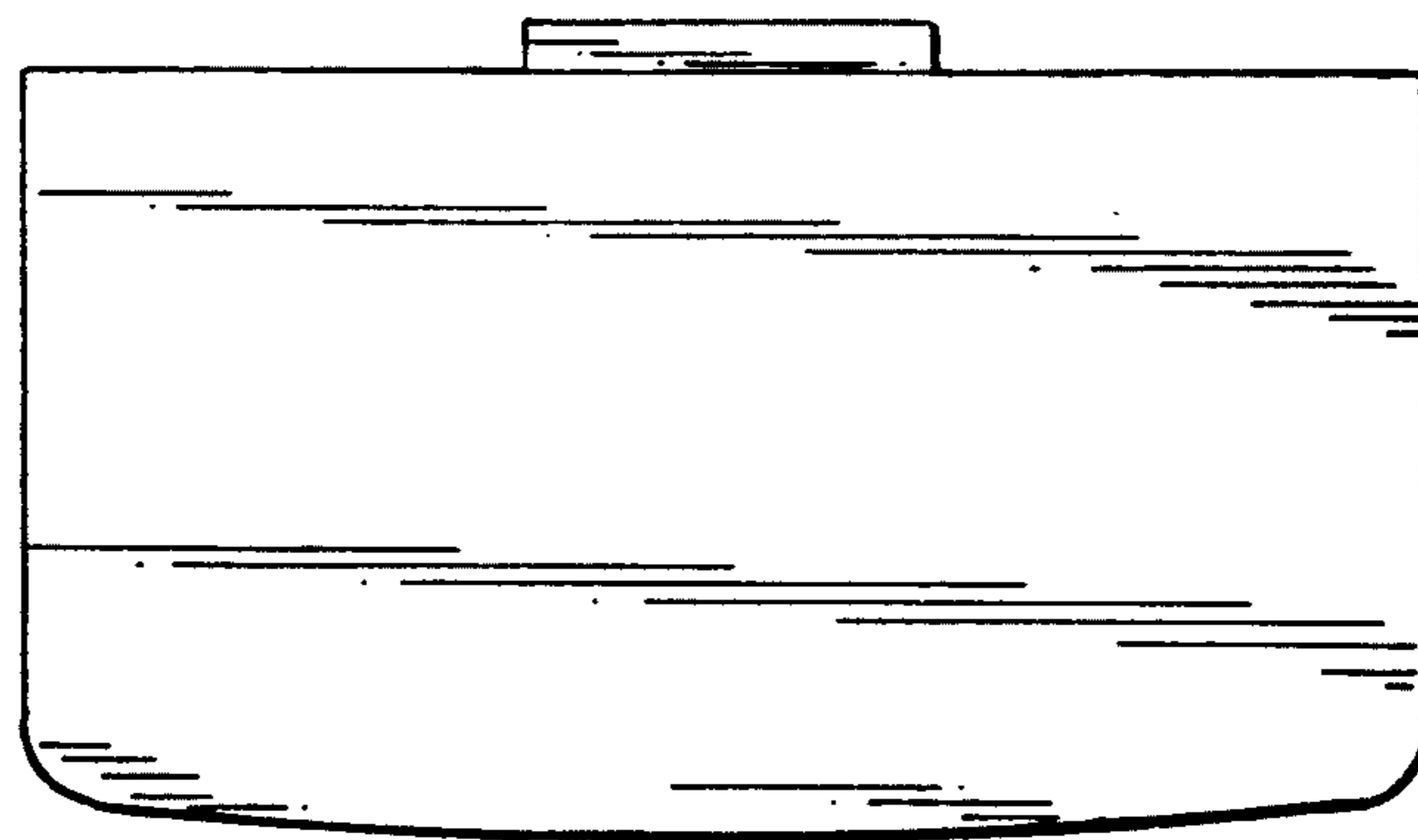


FIG. 6

FIG. 7

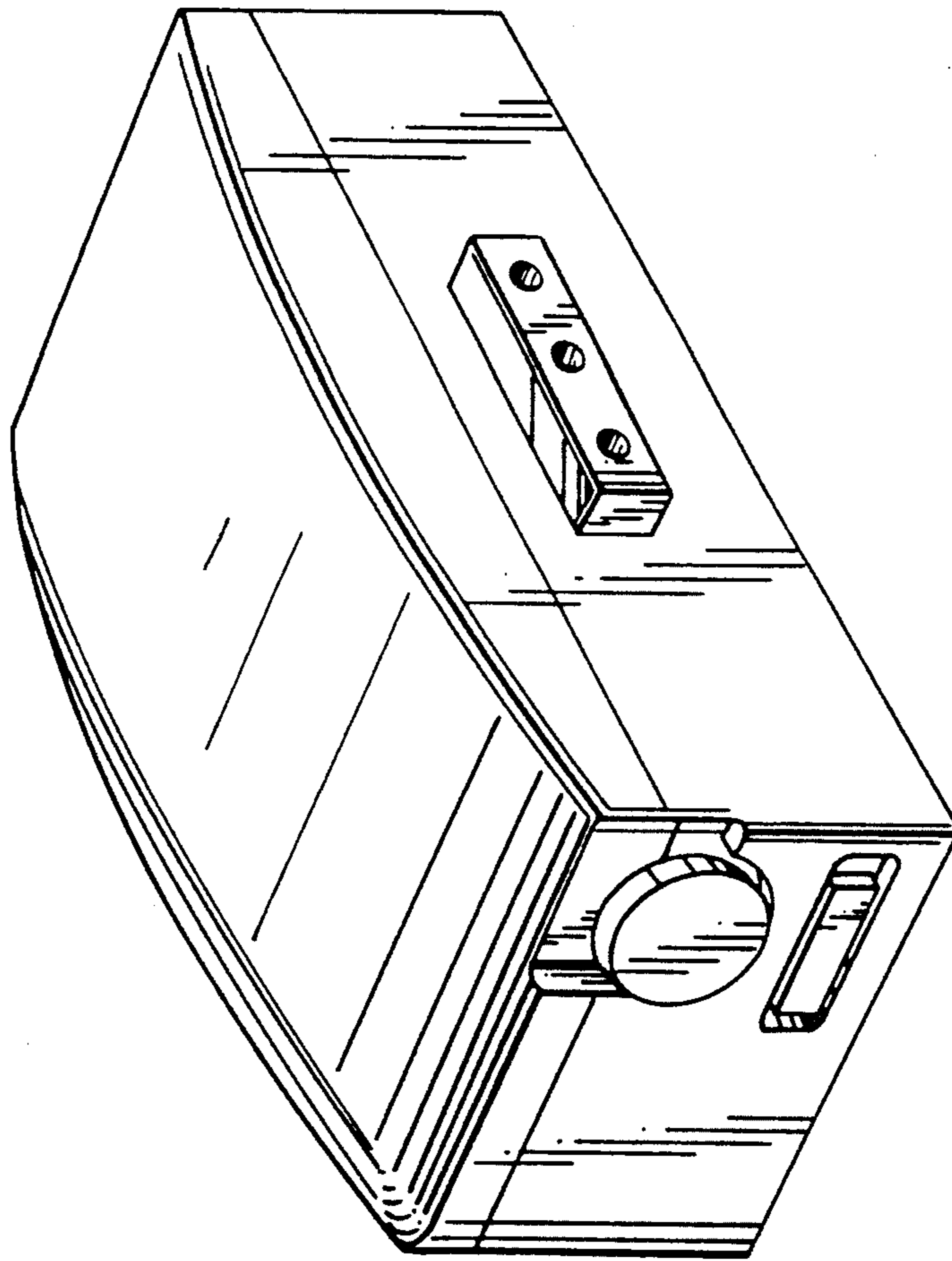


FIG. 8

