



US00D331384S

United States Patent [19]

[11] Patent Number: **Des. 331,384**

Smith

[45] Date of Patent: **** Dec. 1, 1992**

[54] **RIGID BOAT COVER**

[76] Inventor: **William A. Smith**, 4856 Clark Lake Way, Acworth, Ga. 30101

[**] Term: **14 Years**

[21] Appl. No.: **670,322**

[22] Filed: **Mar. 15, 1991**

[52] U.S. Cl. **D12/318**

[58] Field of Search **D12/318, 317; 114/361, 114/364, 344, 352; 296/24.1, 37.7, 210; 224/30.9**

[56] **References Cited**

U.S. PATENT DOCUMENTS

3,810,266	5/1974	Iller	114/361
3,831,208	8/1974	Smith	114/361
4,223,414	9/1980	Dickson	114/361
4,554,884	11/1985	Bouliane	114/344
4,715,312	12/1987	Bouvard	114/352

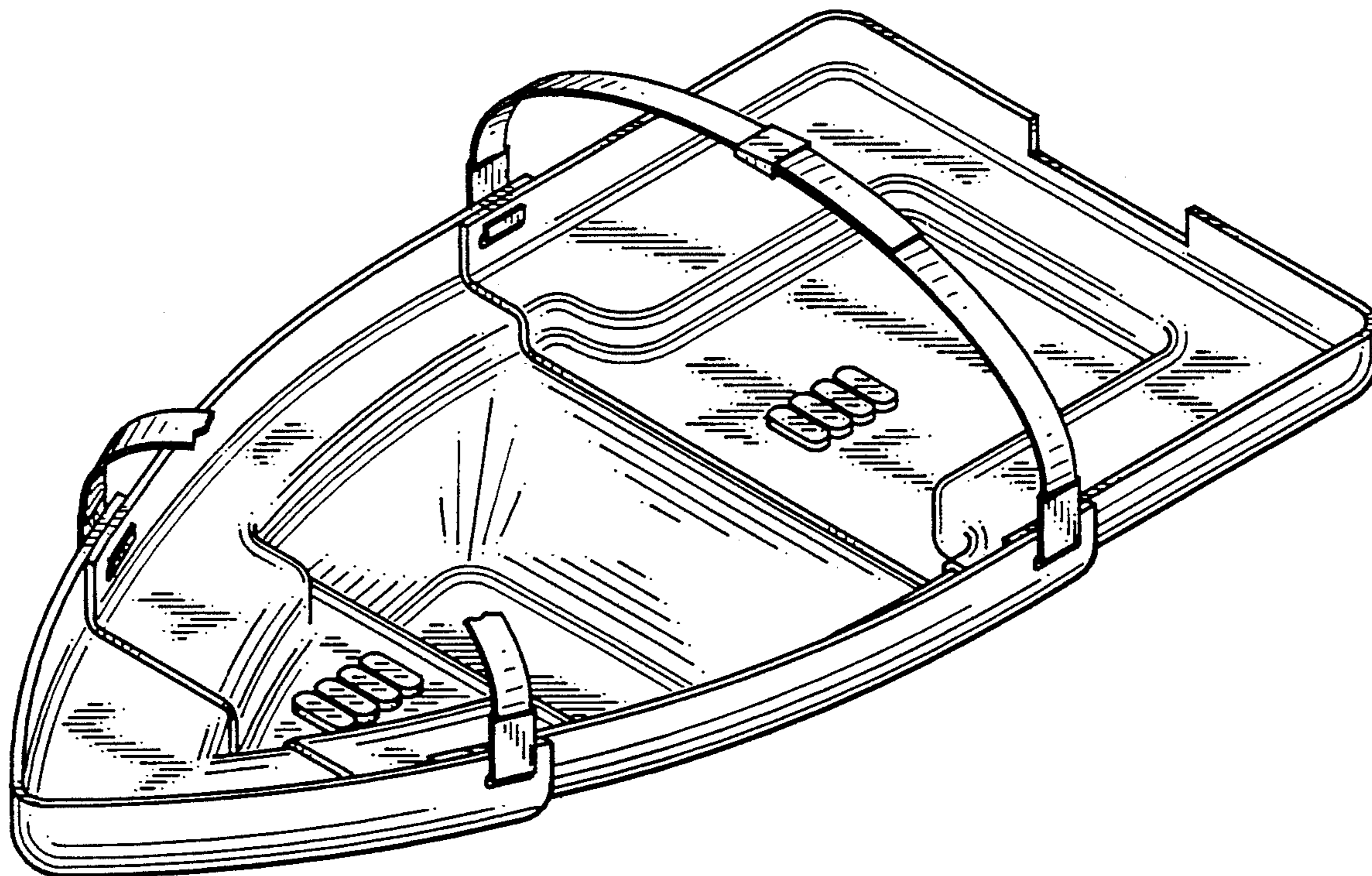
Primary Examiner—Kay H. Chin
Attorney, Agent, or Firm—S. Pal Asija

[57] **CLAIM**

The ornamental design for a rigid boat cover, as shown and described.

DESCRIPTION

FIG. 1 is a front elevational view of a rigid boat cover showing my new designs. A portion of the strap is shown broken away for convenience of illustration; FIG. 2 is a rear elevational view thereof; FIG. 3 is a right side elevational view thereof; FIG. 4 is a left side elevational view thereof; FIG. 5 is a top plan view thereof; FIG. 6 is a bottom plan view thereof; and, FIG. 7 is a bottom perspective view thereof. The broken lines shown in FIGS. 3 and 4 are for illustrative purposes only and form no part of the claimed design.



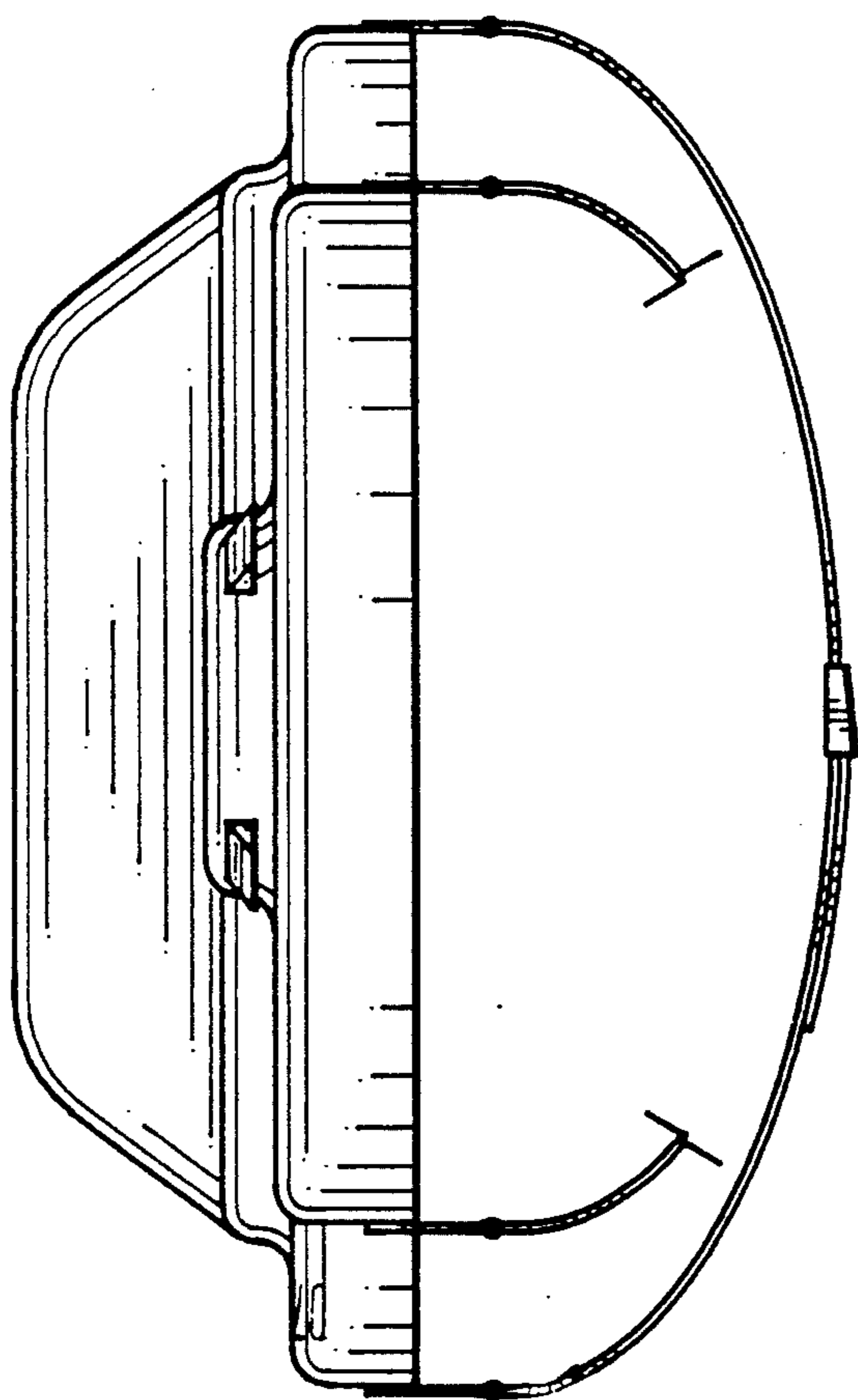


Fig. 1

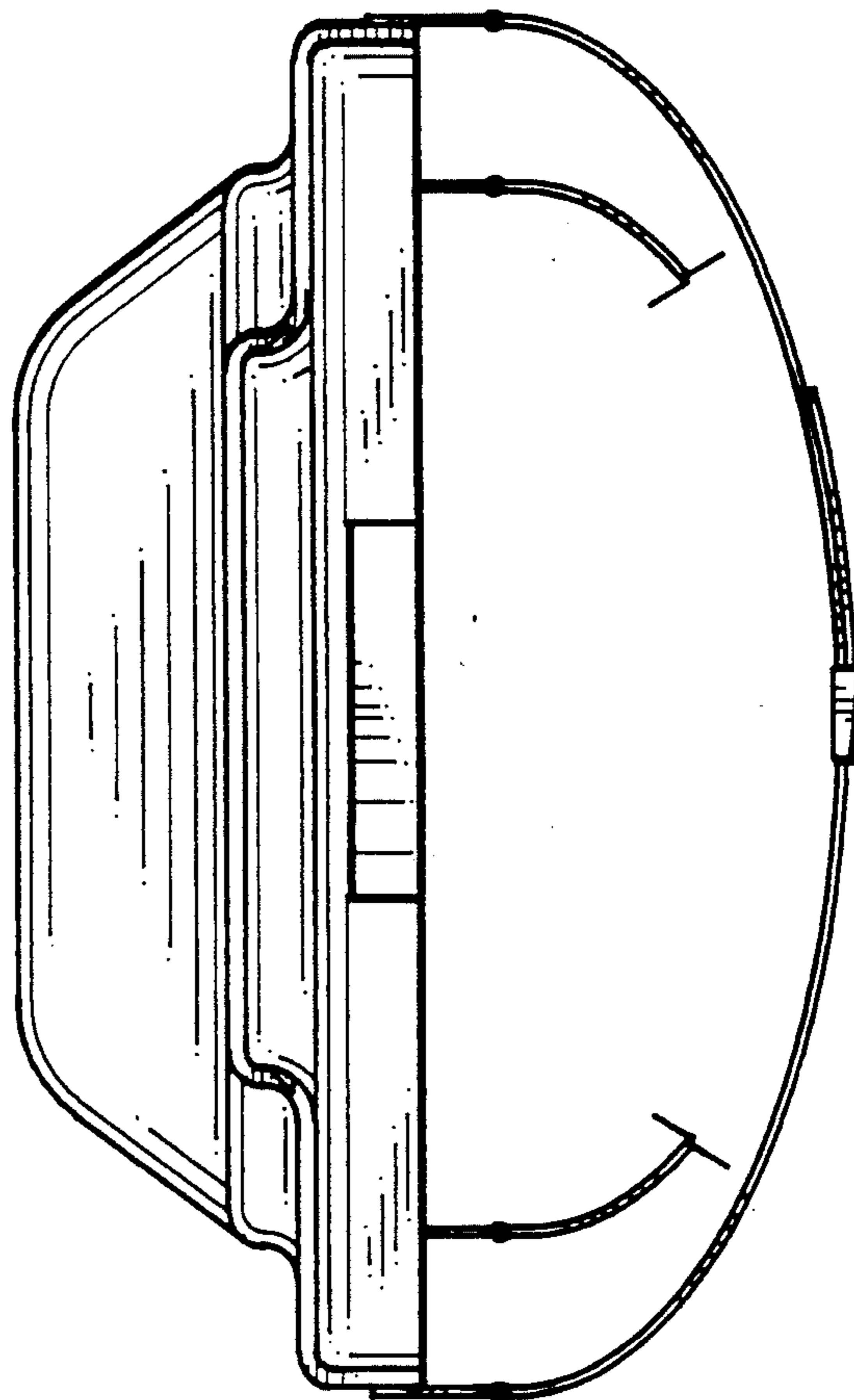


Fig. 2

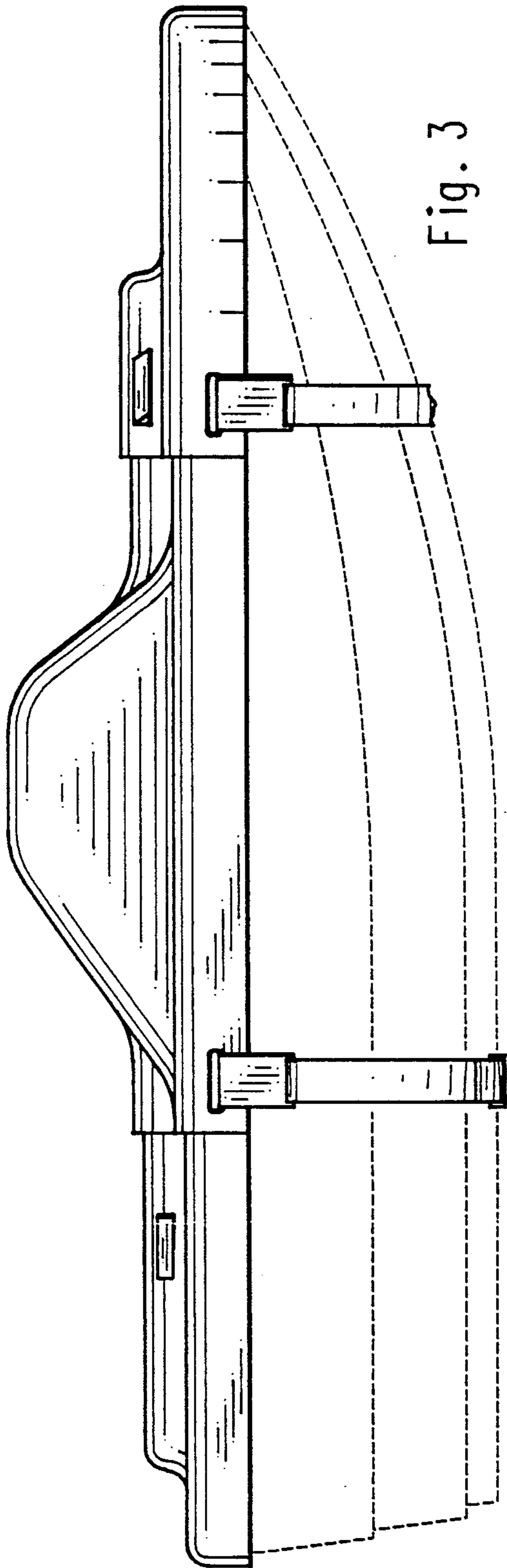


Fig. 3

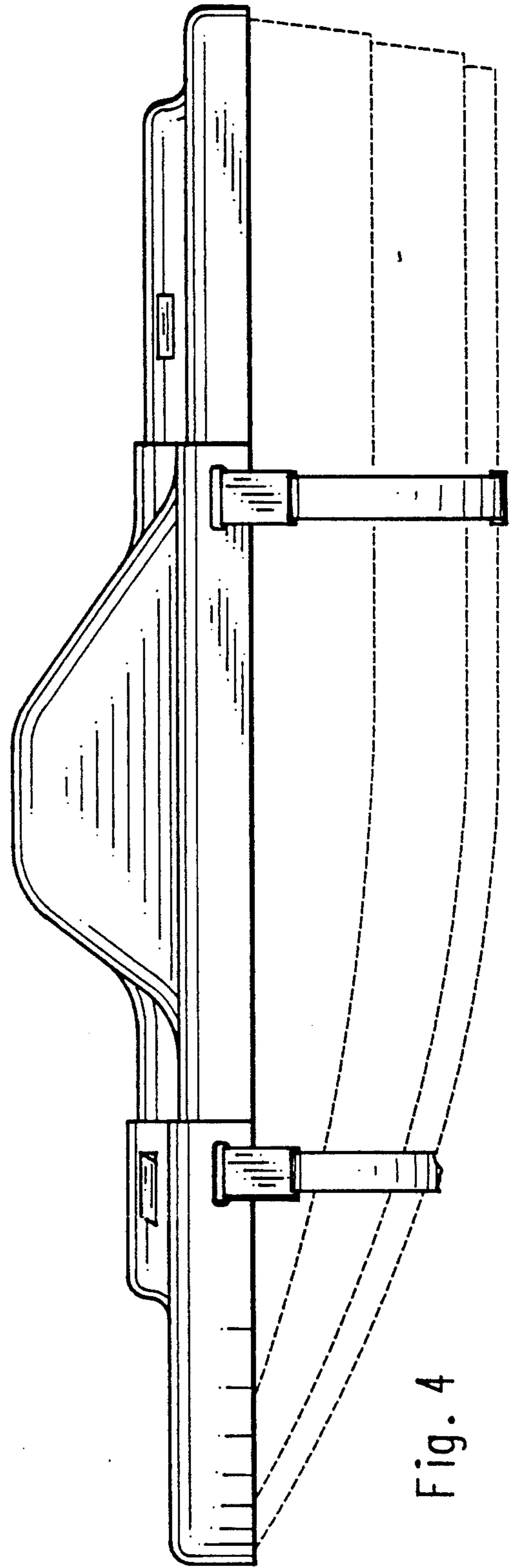


Fig. 4

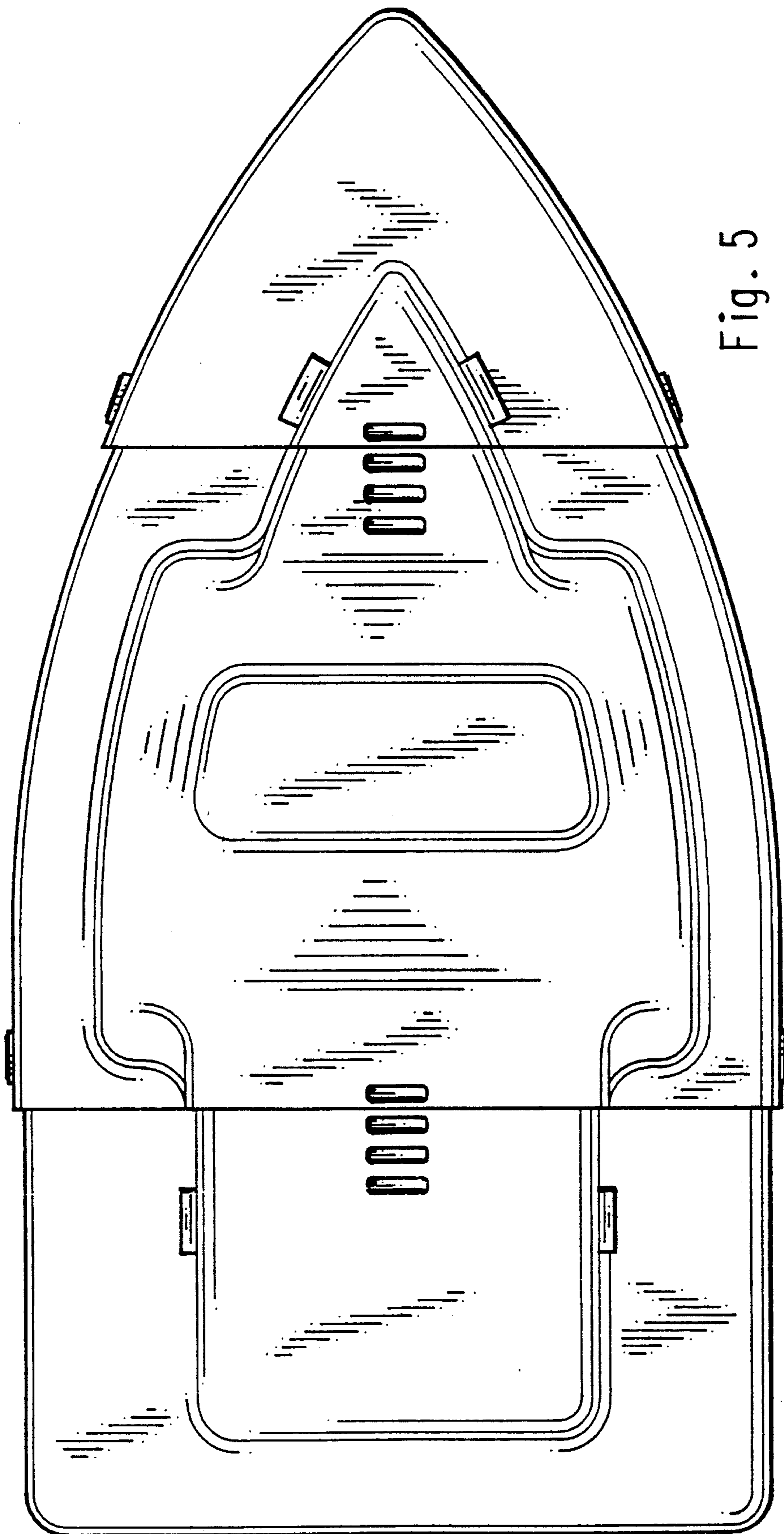


Fig. 5

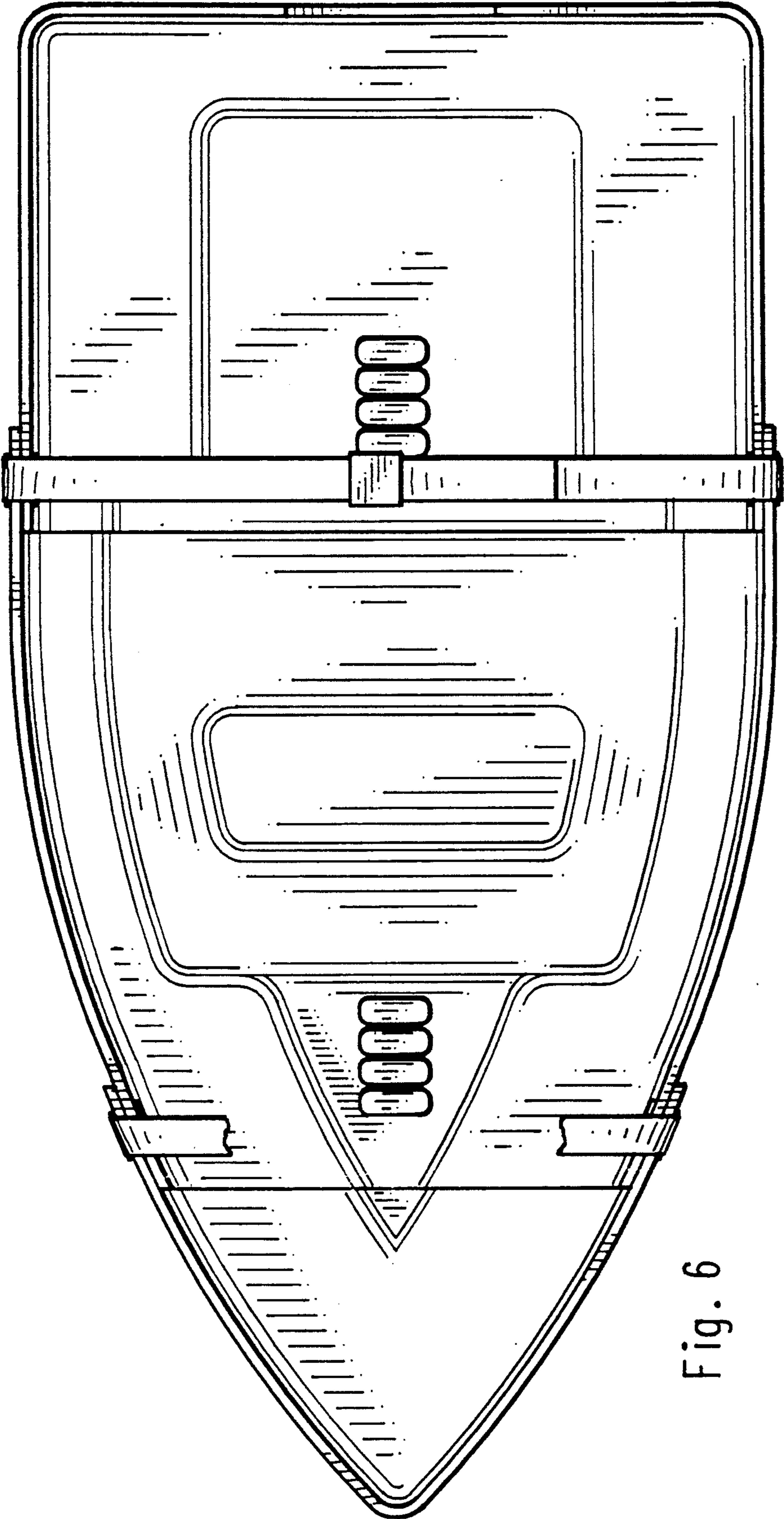


Fig. 6

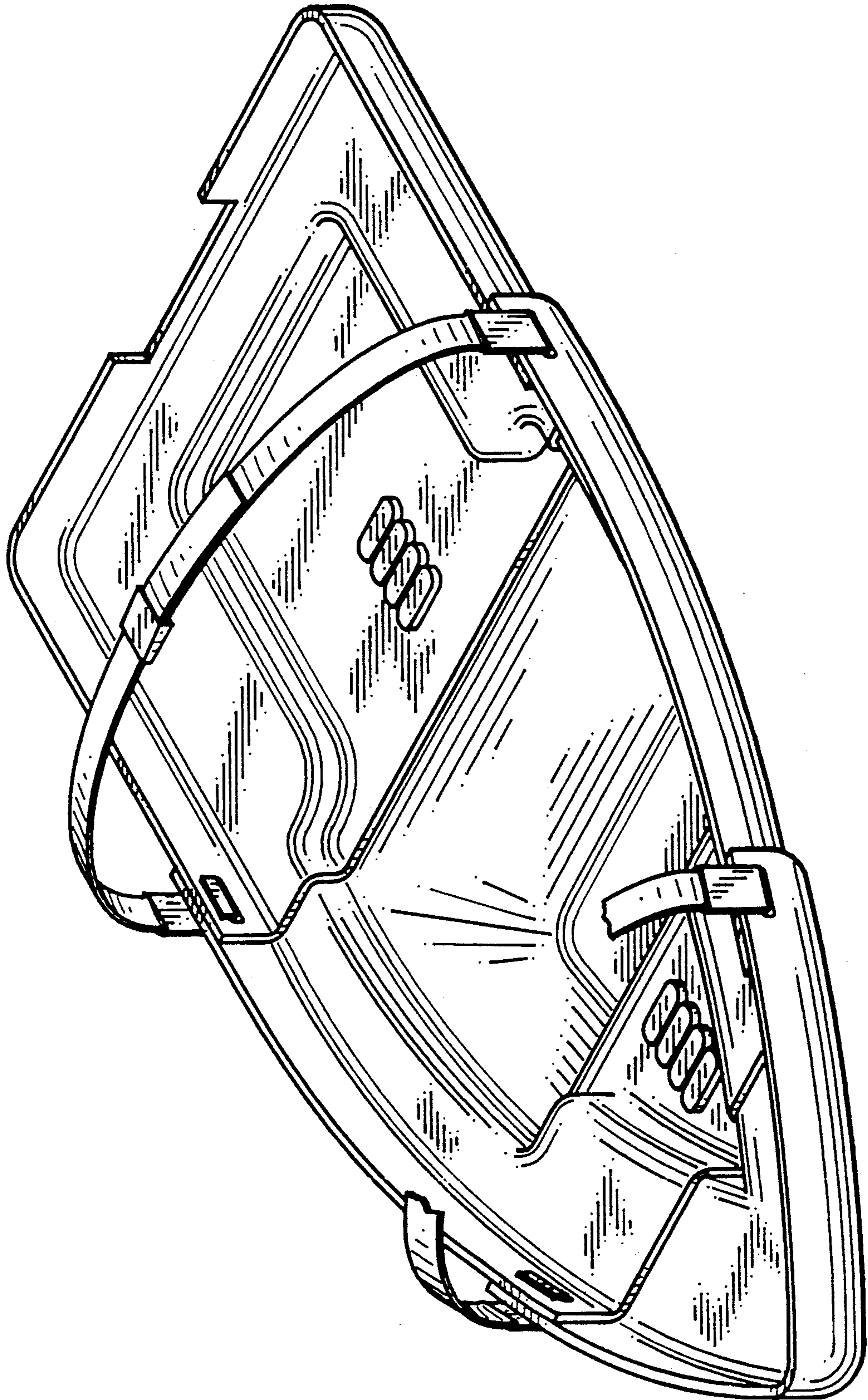


Fig. 7