



US00D331383S

# United States Patent [19]

[11] Patent Number: **Des. 331,383**

**Kanno**

[45] Date of Patent: **\*\* Dec. 1, 1992**

[54] MIRROR

2,210,147 8/1940 Griffith ..... 359/865

[75] Inventor: **Takeshi Kanno, Tokyo, Japan**

*Primary Examiner*—James M. Gandy  
*Attorney, Agent, or Firm*—Ostrolenk, Faber, Gerb & Soffen

[73] Assignee: **Napolex Corporation, Japan**

[\*\*] Term: **14 Years**

[57] **CLAIM**

[21] Appl. No.: **732,678**

The ornamental design for a mirror, as shown.

[22] Filed: **Jul. 19, 1991**

**DESCRIPTION**

[52] U.S. Cl. .... **D12/187**

FIG. 1 is a top, front perspective view of a mirror showing my new design;

[58] Field of Search ..... **D12/187; 359/841, 842, 359/844, 850, 854, 855, 865, 866, 868, 871, 872, 873, 875, 879, 880, 881**

FIG. 2 is a top, rear perspective view thereof;

FIG. 3 is a top rear perspective view thereof with the upper support members in raised condition;

FIG. 4 is a top plan view thereof;

FIG. 5 is a front elevation view thereof;

FIG. 6 is a bottom plan view thereof;

FIG. 7 is a rear elevation view thereof;

FIG. 8 is a right side elevation view thereof; and,

FIG. 9 is a left side elevation view thereof.

[56] **References Cited**

**U.S. PATENT DOCUMENTS**

- D. 212,083 8/1968 Neale ..... D12/187
- D. 299,491 1/1989 Masuda ..... D12/188
- D. 302,966 8/1989 Sentmore et al. .... D12/187

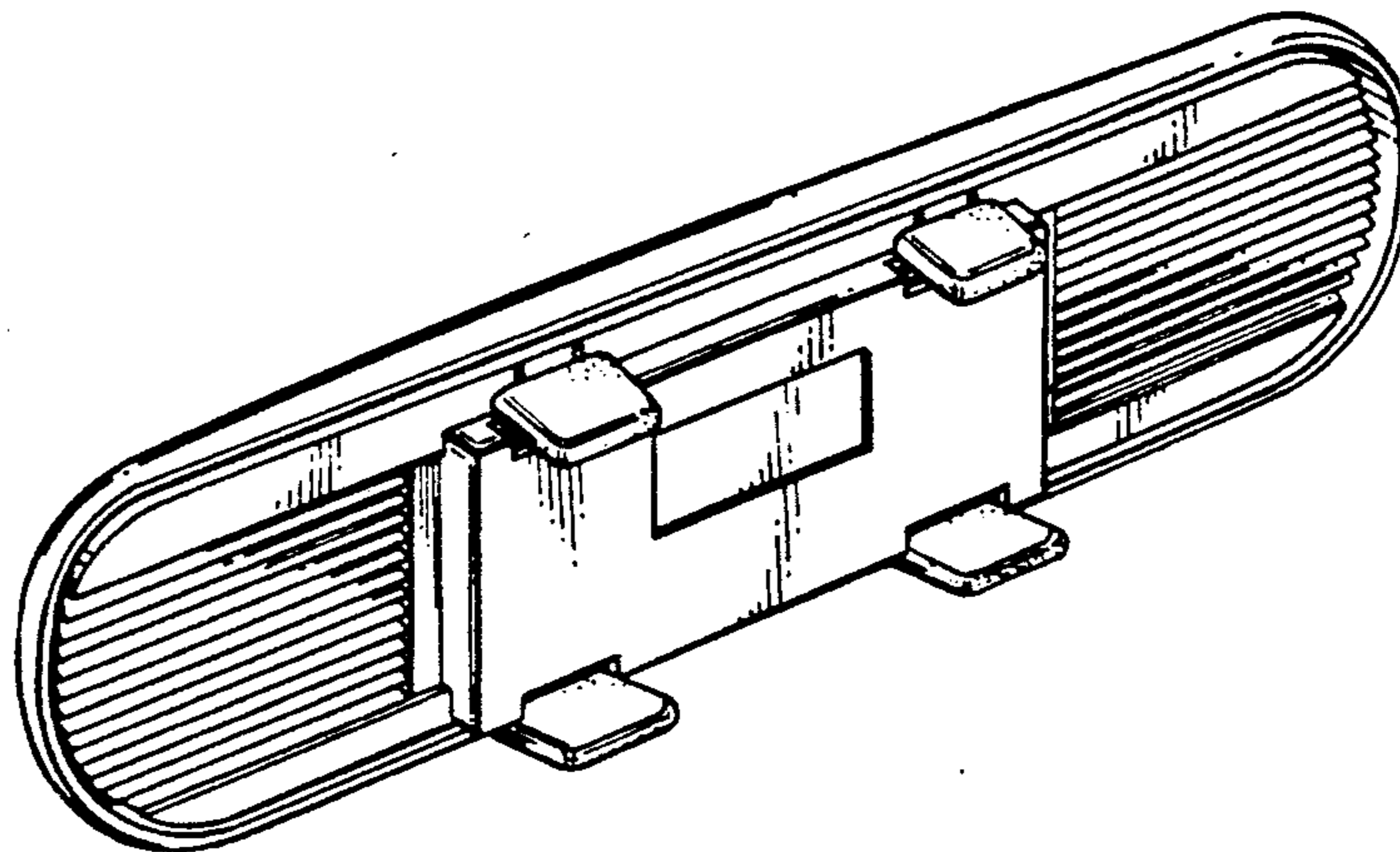
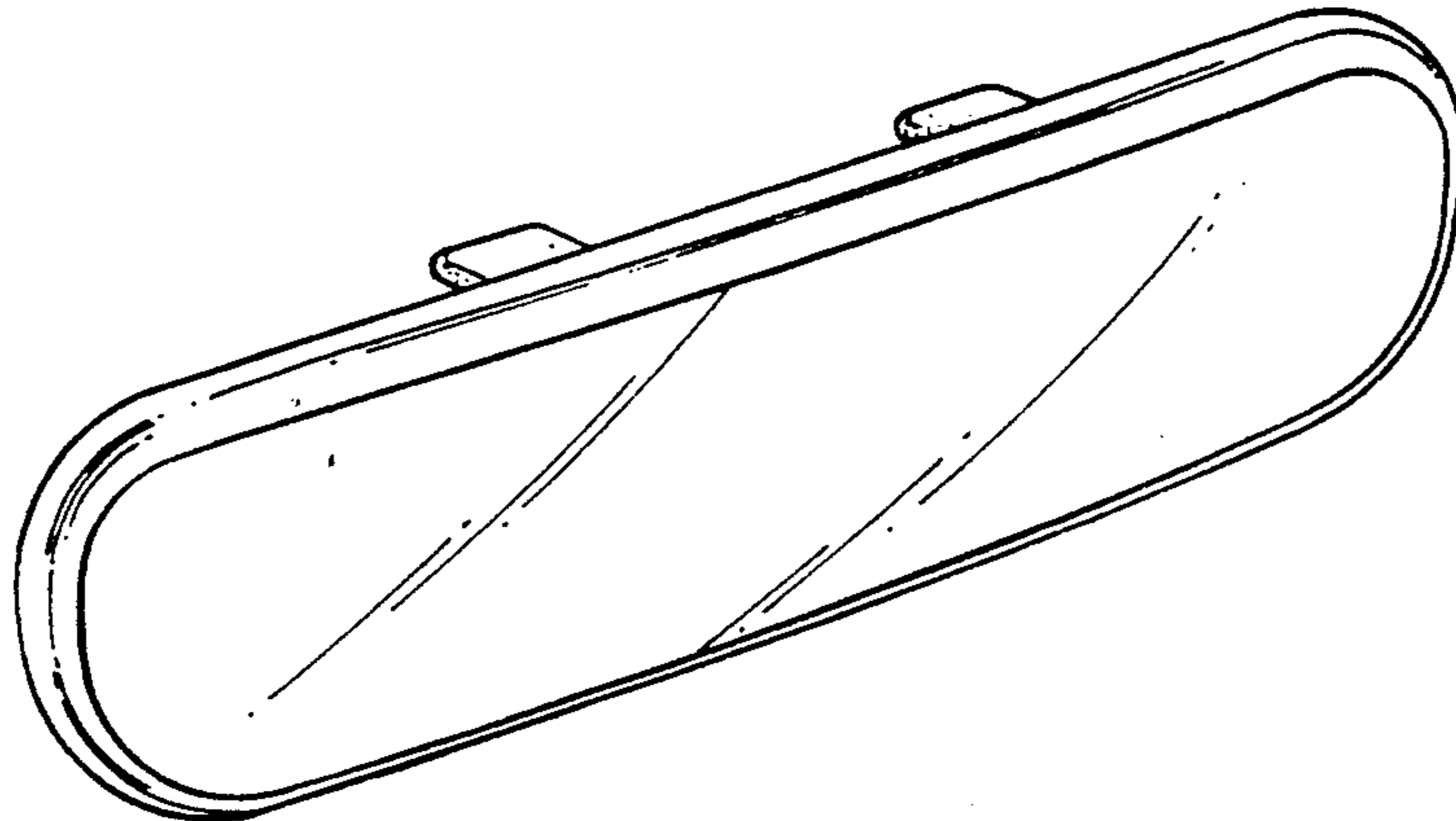


FIG. 1

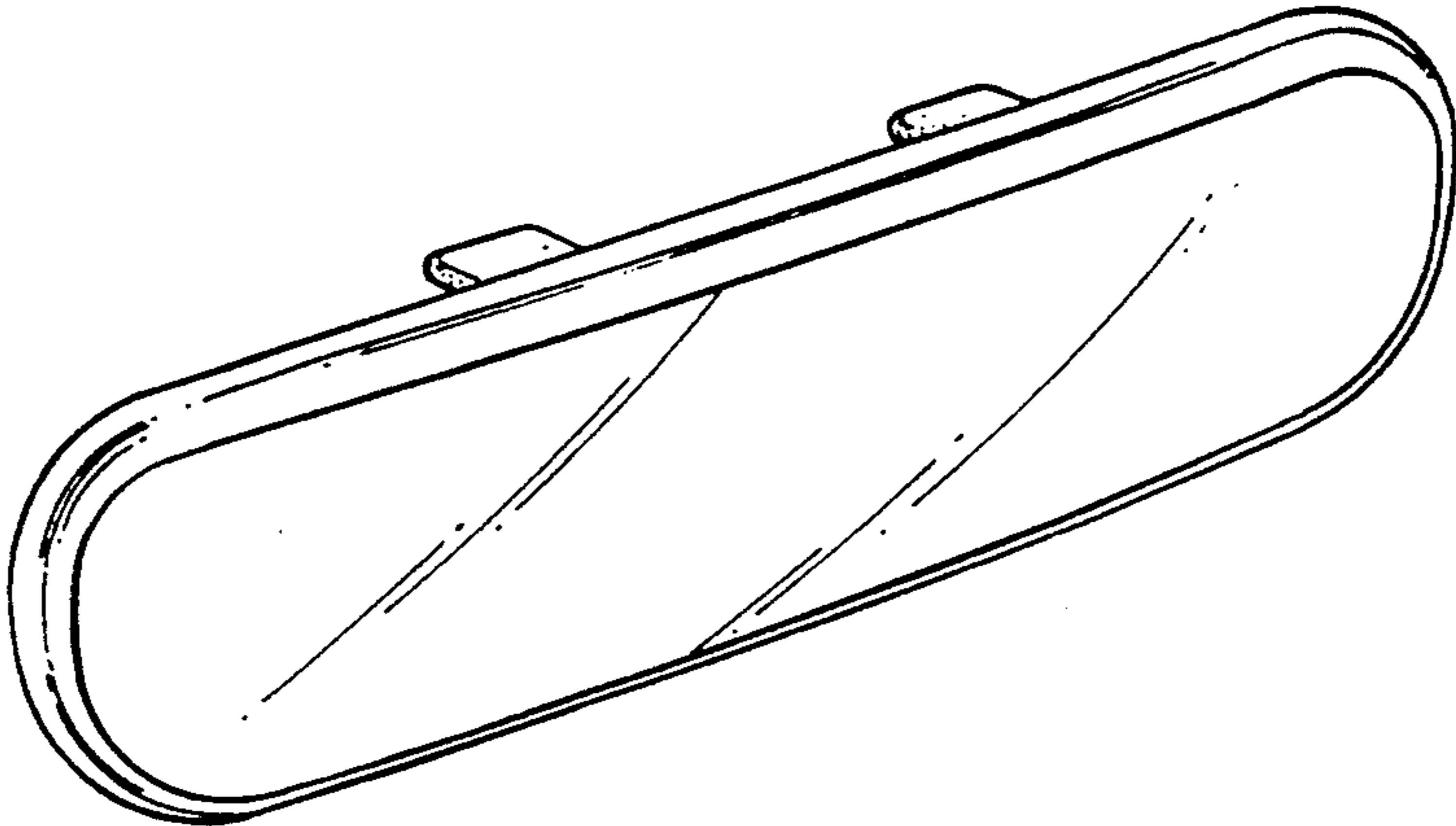


FIG. 2

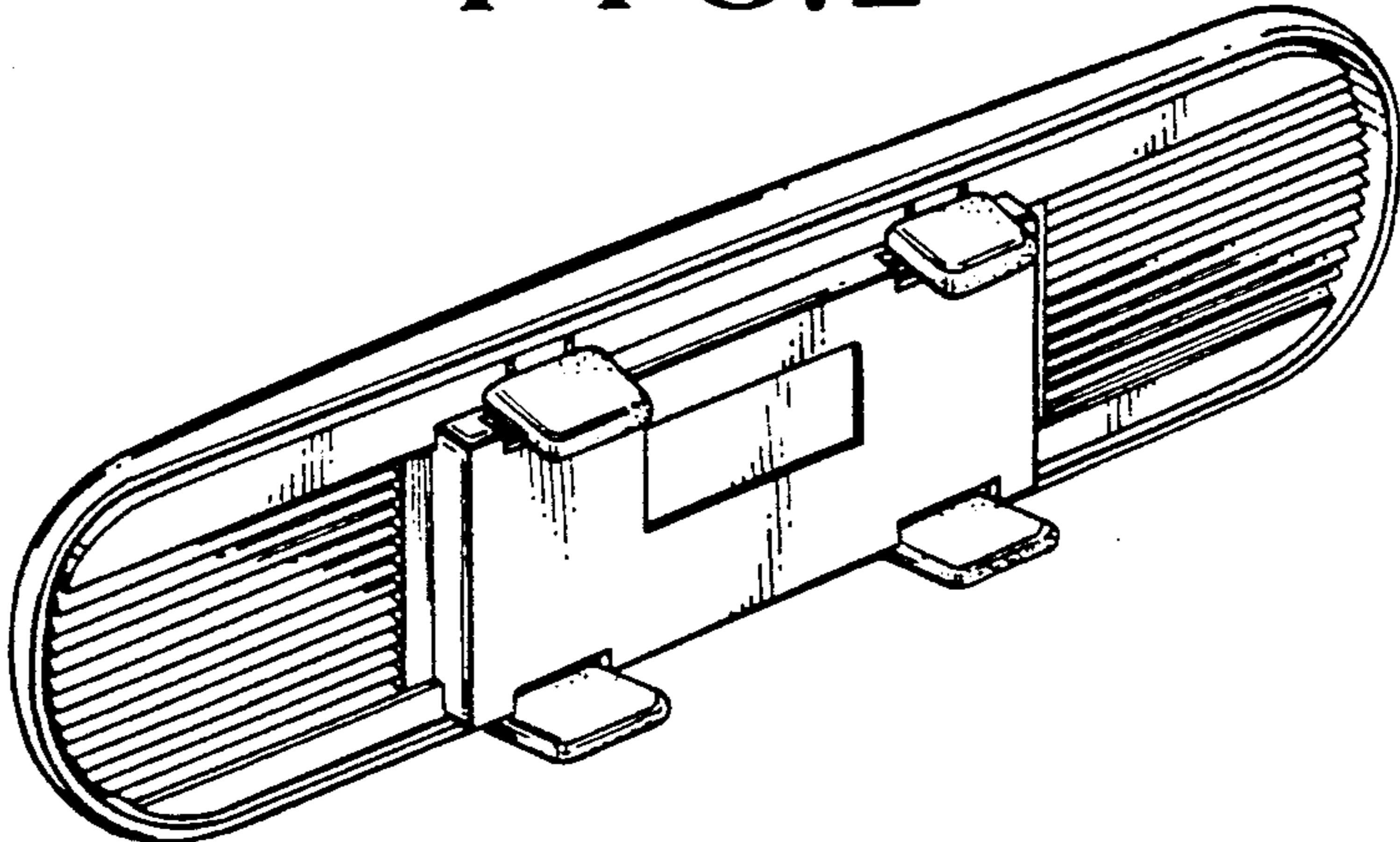


FIG. 3

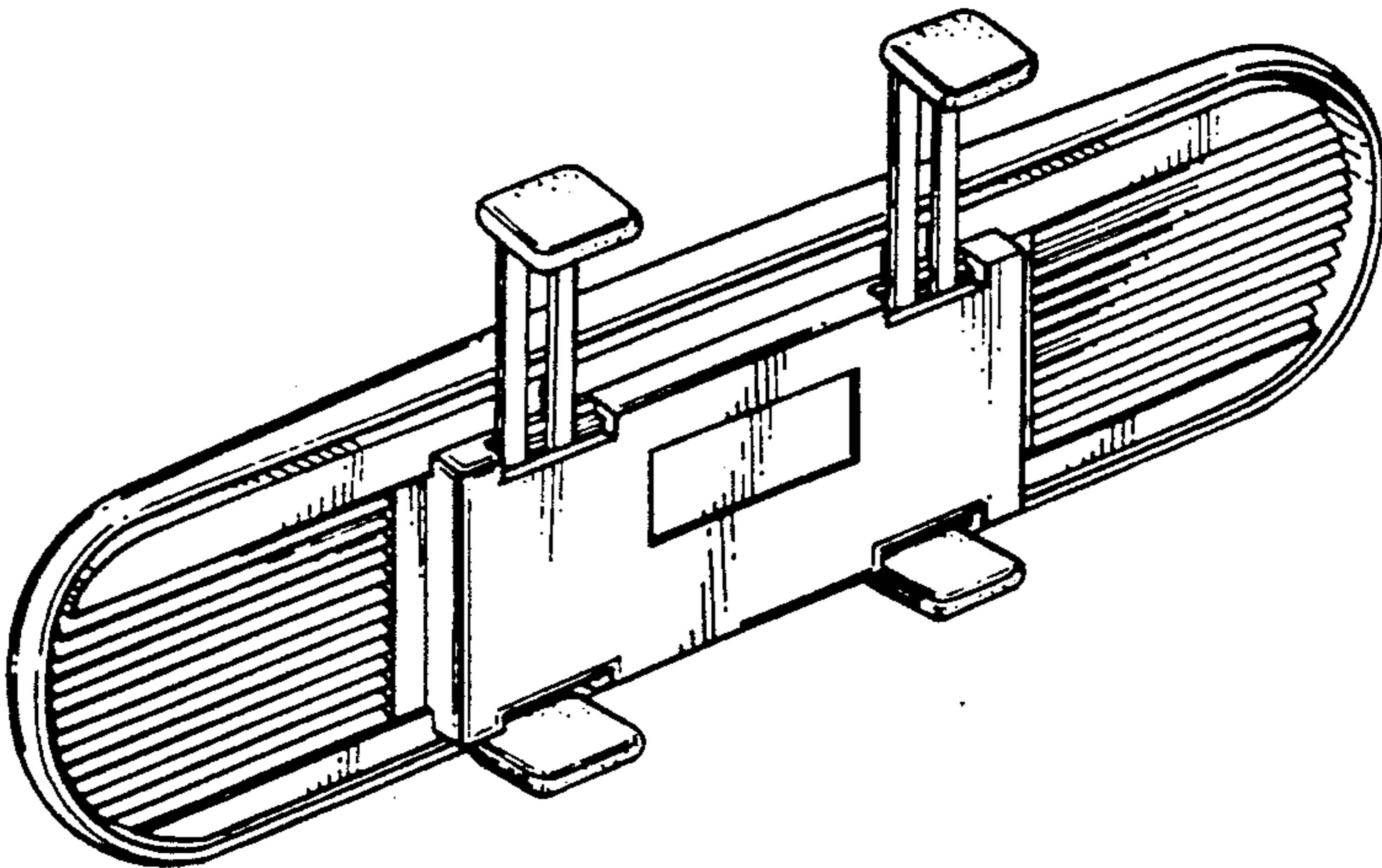


FIG.4

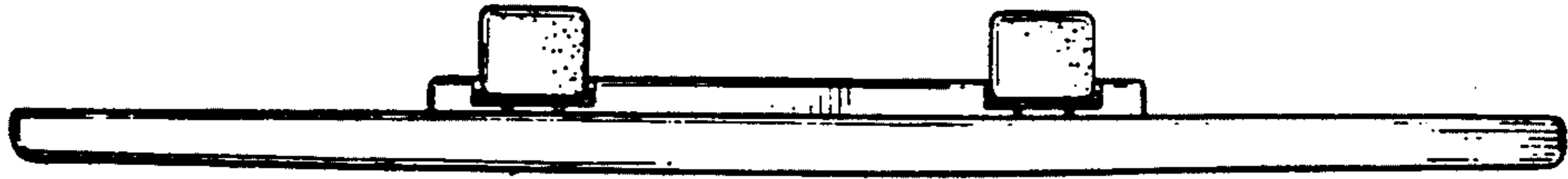


FIG.5

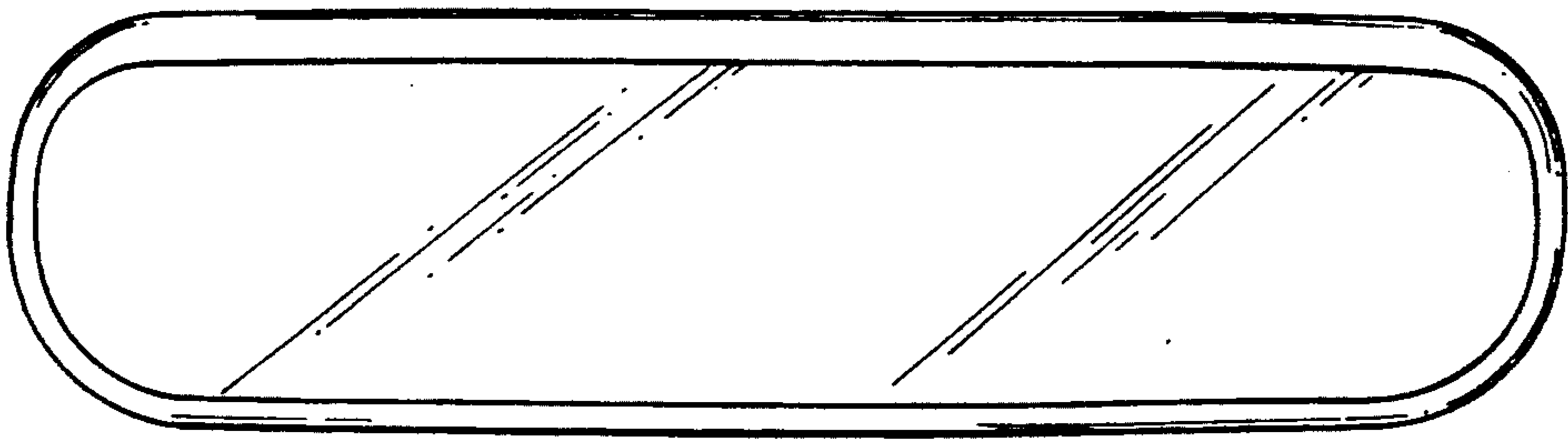


FIG.6

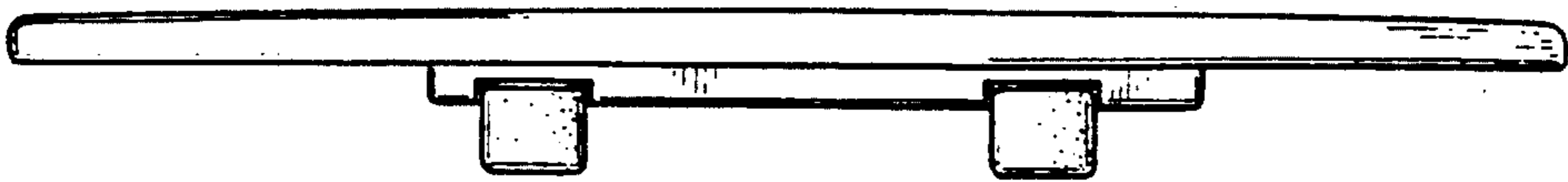


FIG.7

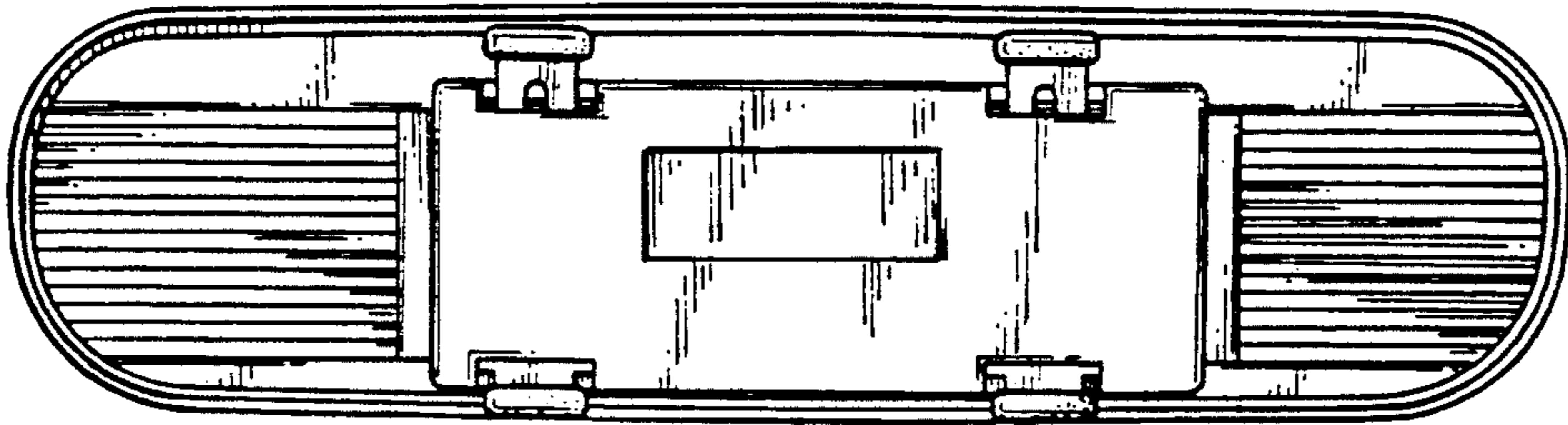


FIG.8

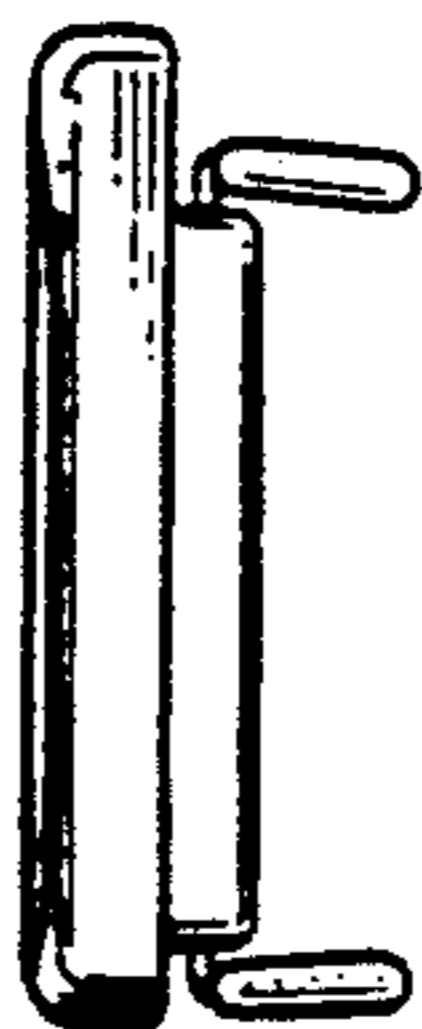


FIG.9

